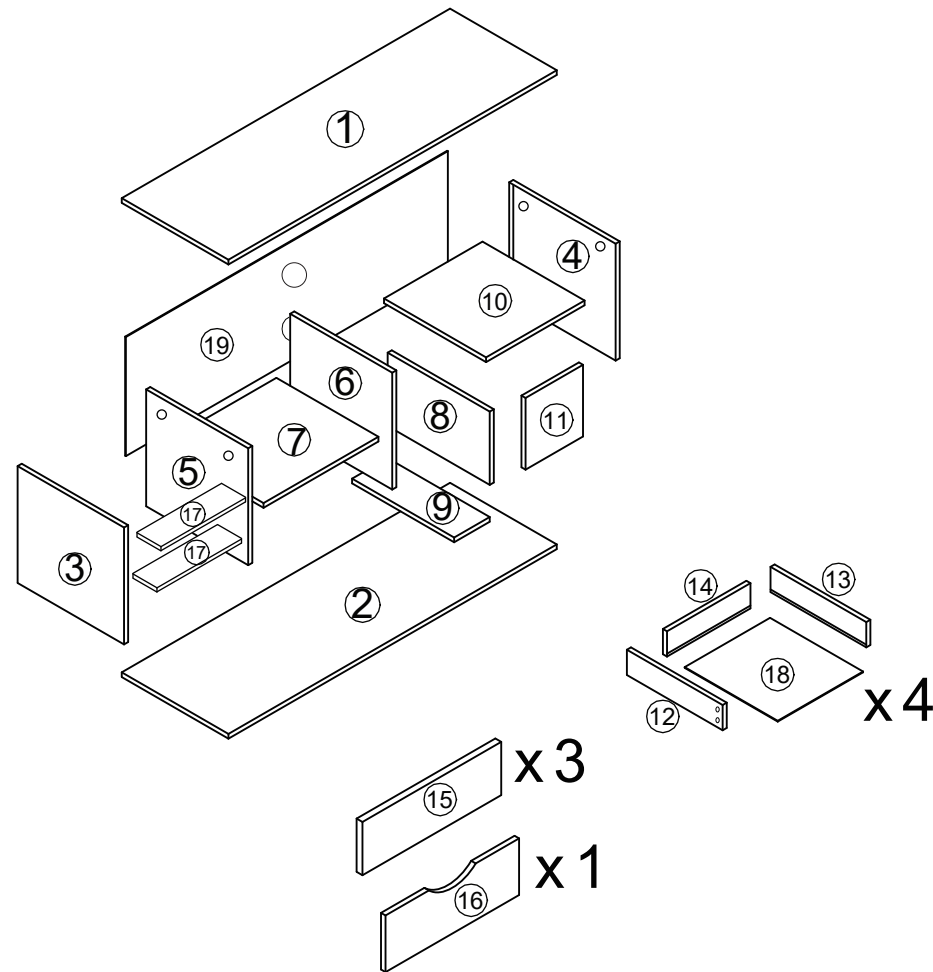
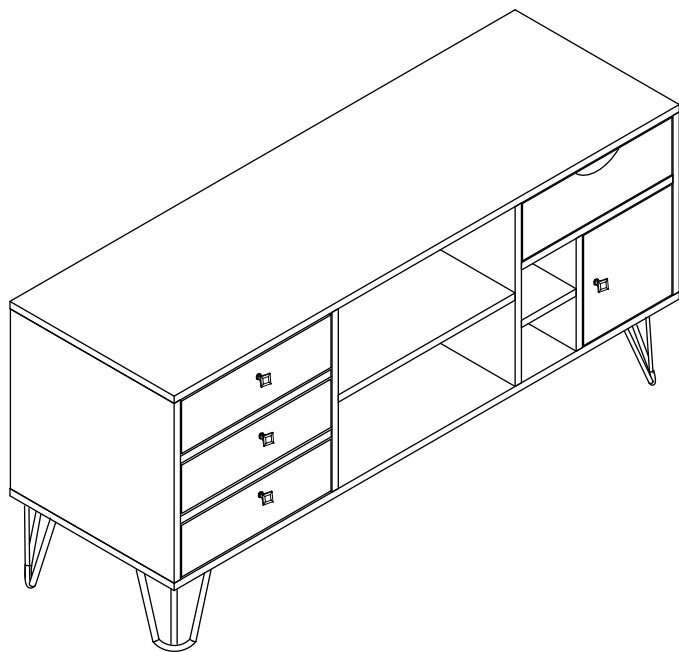




066-000002

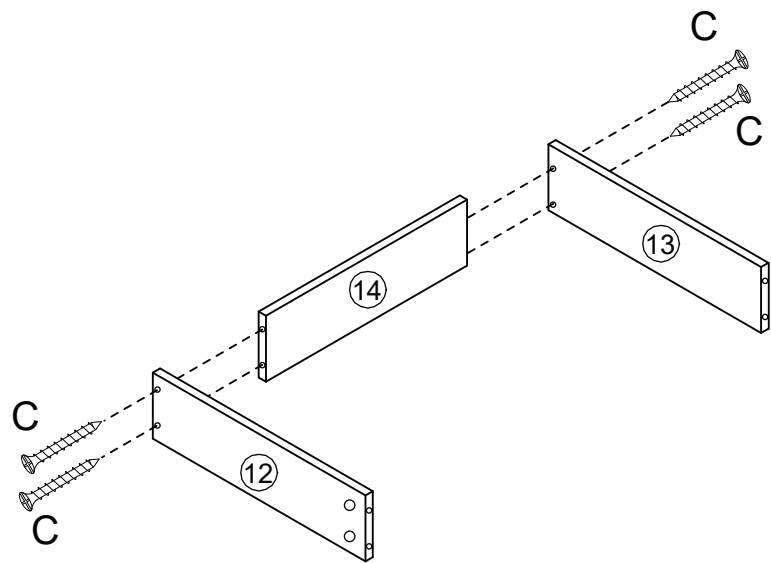


A		X34
B		X34
C		X18
D		X50
E		X22
F		X4
G		X2
H		X2
I		X4

J		X4
K		X12
L		X8
M		X1
N		X2
O		X1
P		X4
Q		X1
R		X1

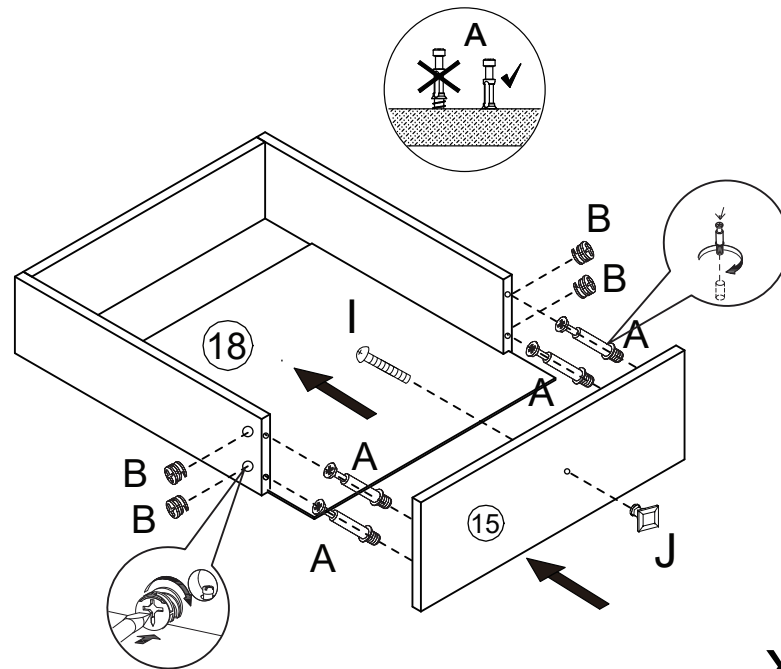
S		X2
T		X2
U		X4
V		X24

1



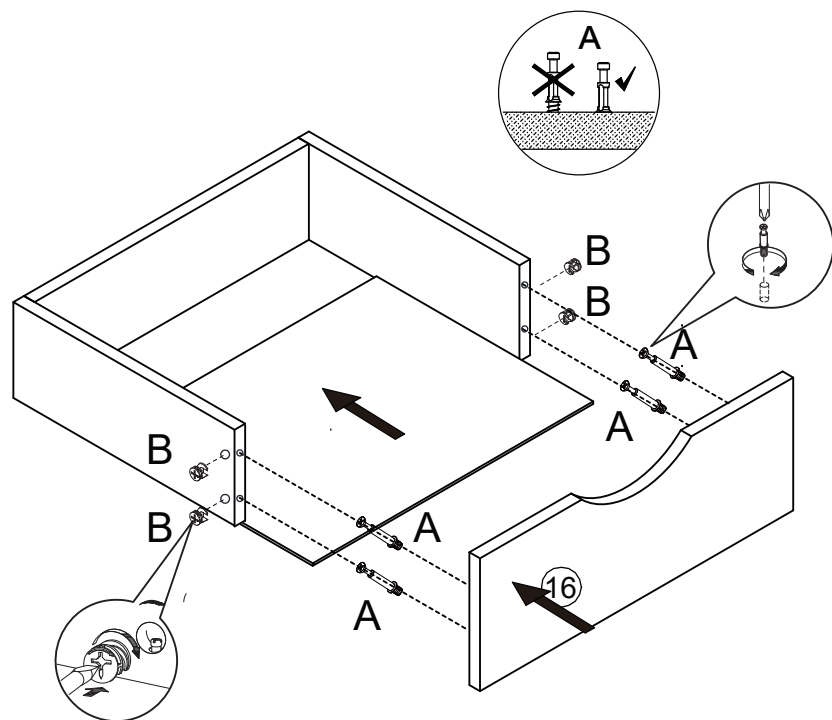
x4

2

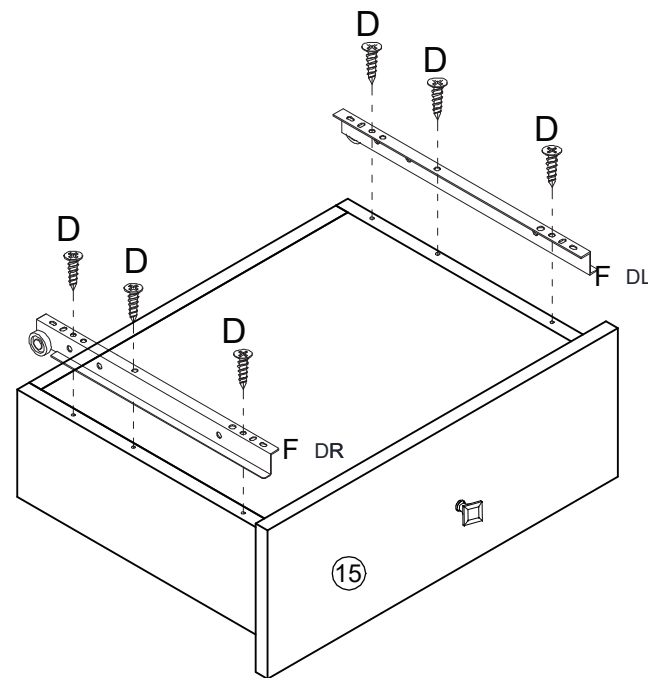


x3

3

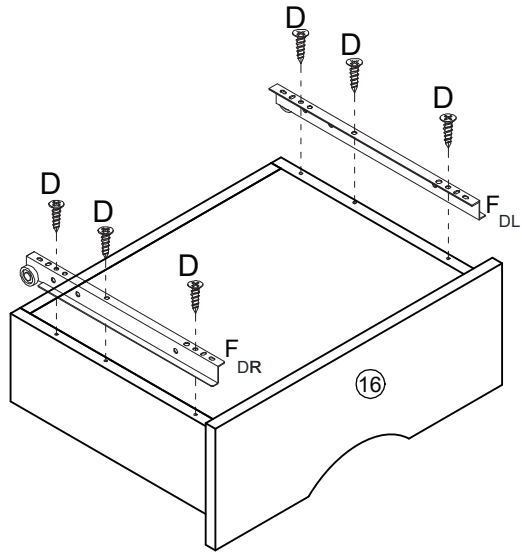


4

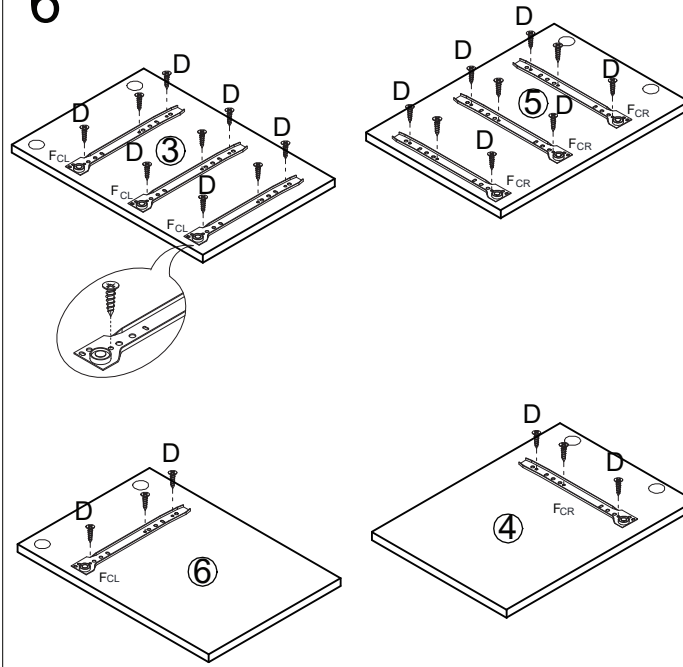


x3

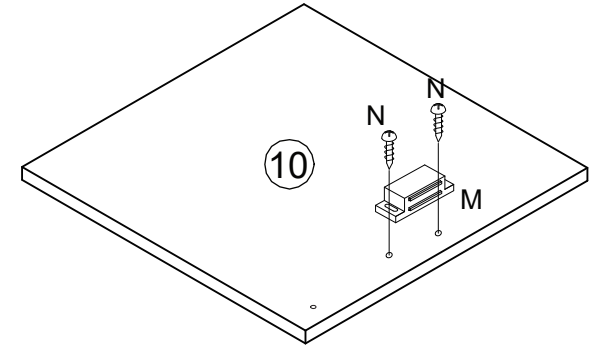
5



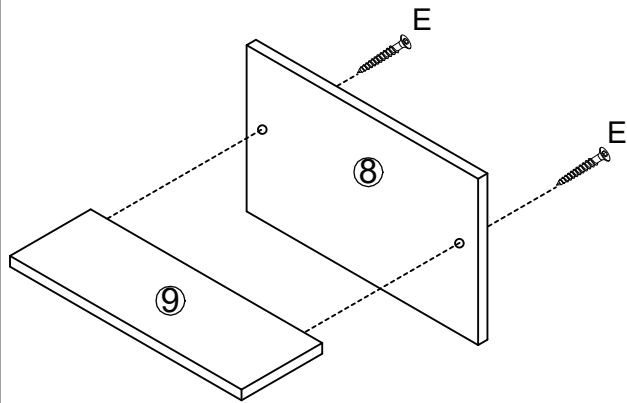
6



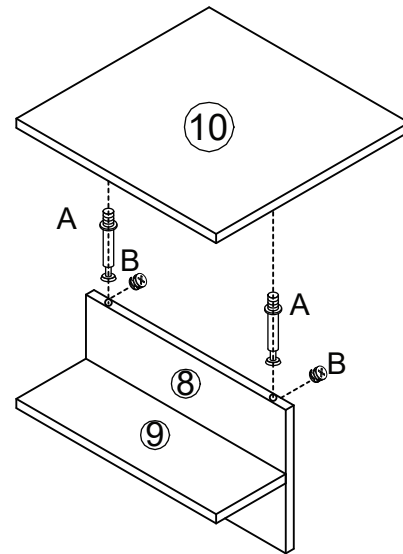
7



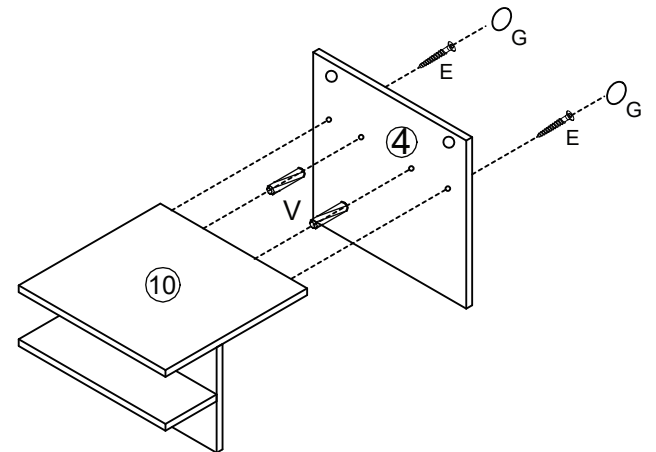
8



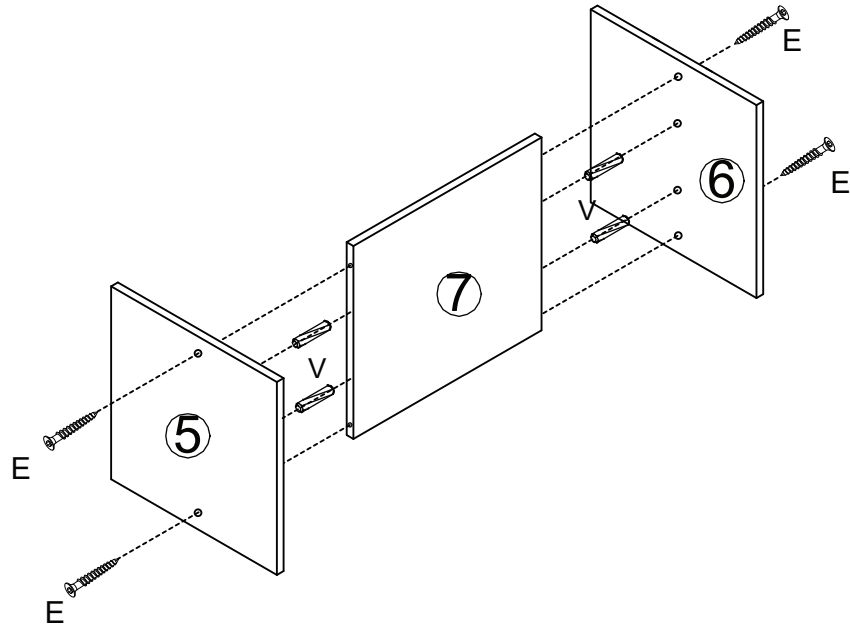
9



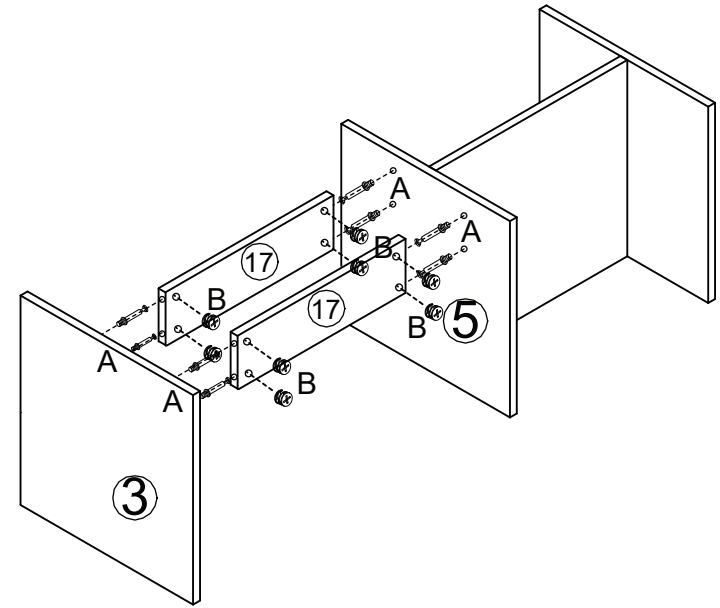
10



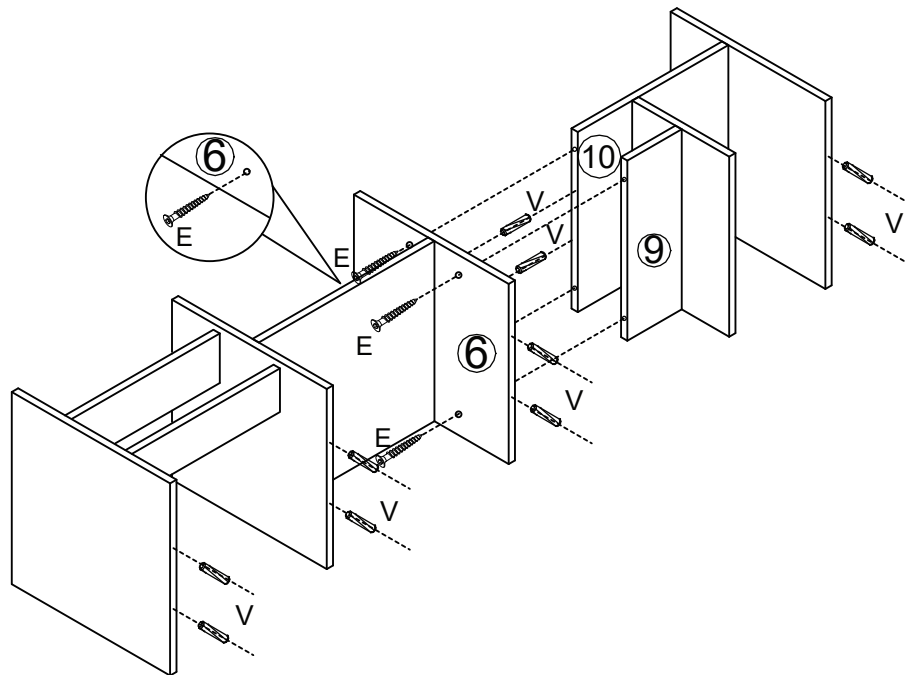
11



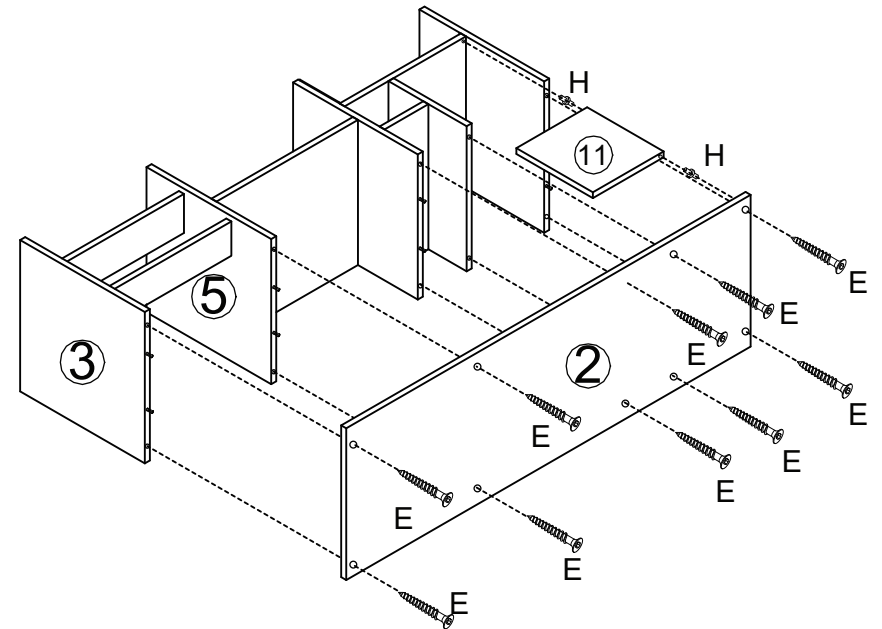
12



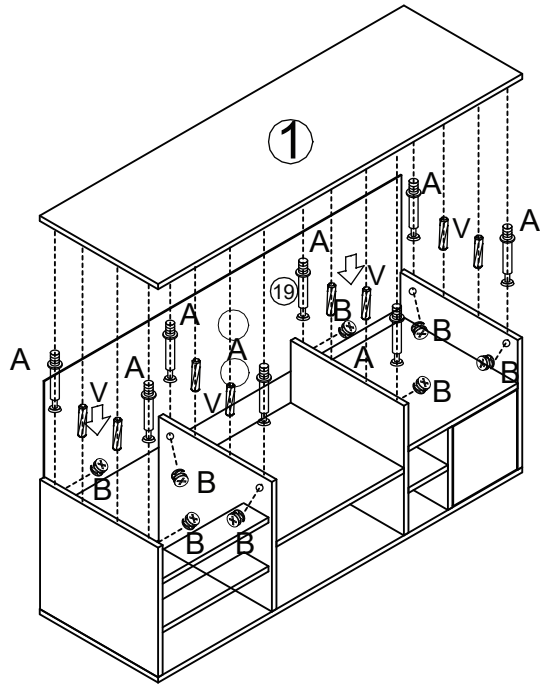
13



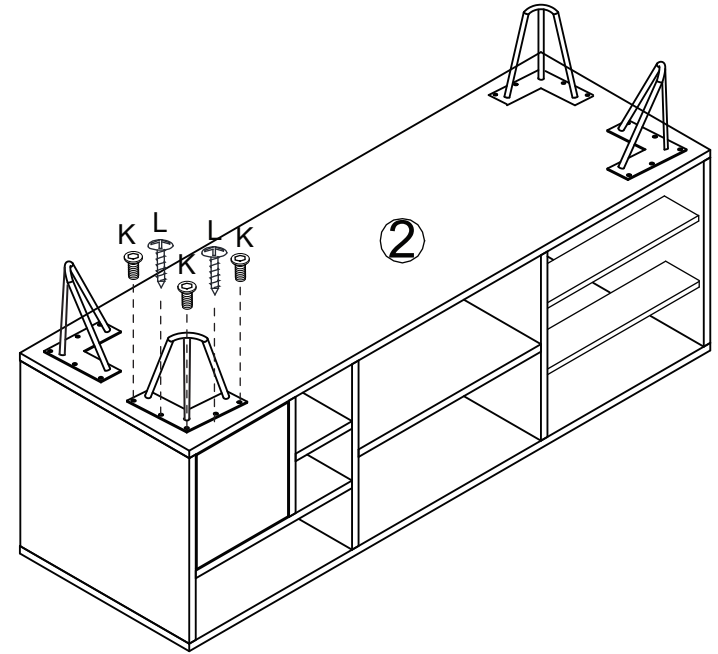
14



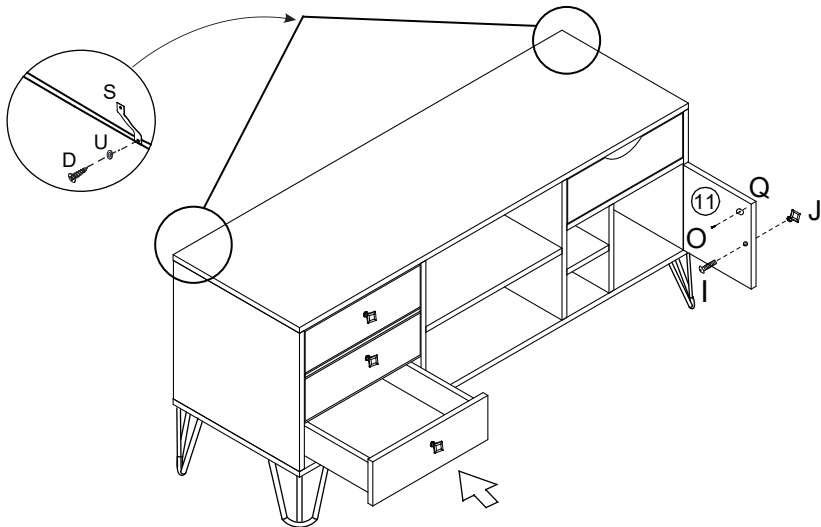
15



16



17



18

