

SENCOR® SVC 7550TI 4AAAA ECO POWER



EN ■ Vacuum Cleaner

Translation of the original manual

READ CAREFULLY AND STORE FOR FUTURE USE.

- This appliance may be used by children 8 years of age and older and by persons with physical or mental impairments or by inexperienced persons, if they are properly supervised or have been informed about how to use the product in a safe manner and understand the potential dangers.
- Children must not play with the appliance. Cleaning and maintenance performed by the user must not be performed by unsupervised children.
- In the event that the power cord is damaged, have it repaired at a professional service centre to prevent causing a dangerous situation. It is forbidden to use the appliance if it has a damaged power cord.
- Pull the power plug out of the socket before cleaning the appliance or performing maintenance.



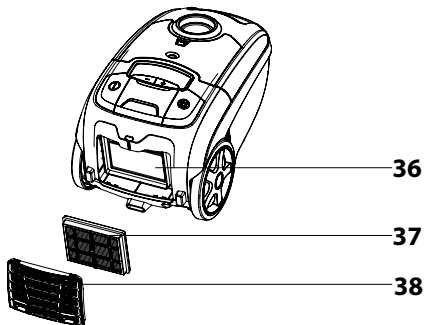
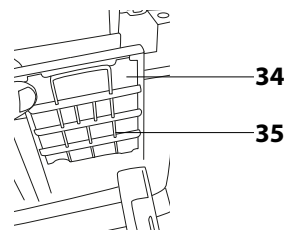
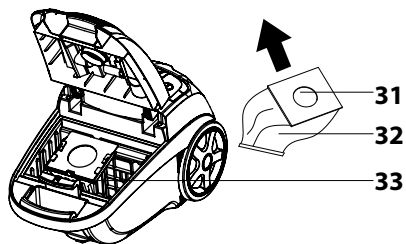
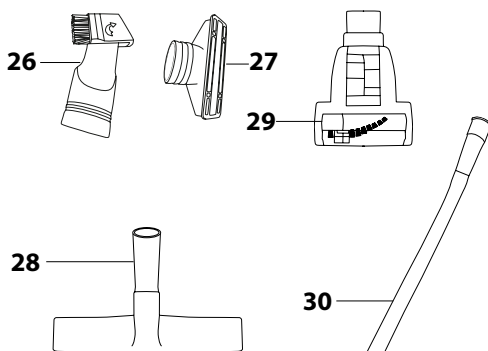
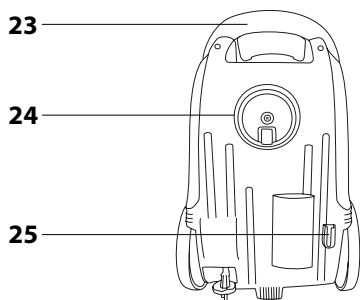
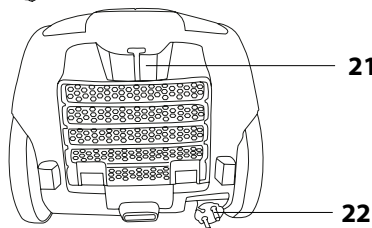
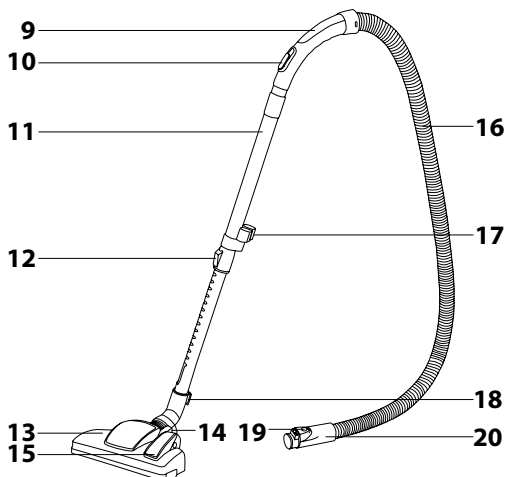
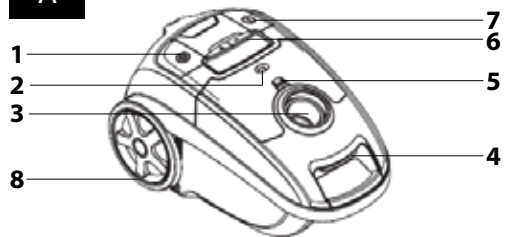
CAUTION:

Avoid contact with the rotating parts of the hand accessories of the vacuum cleaner. There is a risk of touching these parts, and possible injury.

- This vacuum cleaner is designed for use in households, offices and similar types of areas. Do not use in industrial surroundings.
- Do not expose the vacuum cleaner to direct sunlight and do not place it near an open fire or appliances that are a source of heat.
- Before connecting the power cord to a power socket, check that the technical details on the vacuum cleaner's rating label match the electrical voltage in the socket.
- Make sure the power cord is not touching a hot surface or sharp objects.

- Do not submerge the vacuum cleaner under water or any other liquid and do not rinse it under running water.
- Before turning on the vacuum cleaner, make sure that the dust bag is inserted inside and that all the inflow and outflow filters are installed in their place.
- When the vacuum cleaner is running, ensure that the air outlets and the suction opening are not blocked.
- Do not use the vacuum cleaner to vacuum the following items:
 - smouldering cigarettes, burning items, matches or embers;
 - water and other liquids;
 - flammable or volatile materials;
 - sharp items, e.g. broken glass, needles, pins, etc.;
 - flour, wall plaster, cement and other building materials;
 - larger pieces of paper or plastic bags, which can easily block the suction opening.
- Vacuuming of some types of floors or floor surfaces can create an electrostatic discharge, which presents no danger to the user.
- Do not place the suction nozzle or tube against any parts of the face.
- Always turn off the vacuum cleaner and disconnect it from the power socket when leaving it without supervision, after finishing using it and before cleaning it.
- Disconnect the power cord from the power socket by pulling on the plug, never pulling on the cord. Otherwise, this could damage the power cord or the socket. It is recommended to hold the power cord in your hand when winding it up.
- If the power cord is damaged, have it replaced at a professional service centre. It is forbidden to use the vacuum cleaner if it has a damaged power cord.
- Do not use the vacuum cleaner if it is not working correctly, if it has been damaged or has been submerged in water. Do not repair the vacuum cleaner yourself or make any adjustments to it. Have all repairs performed at an authorised service centre. By tampering with the appliance, you risk voiding your legal rights arising from unsatisfactory performance or quality warranty.

A



EN Vacuum Cleaner

User's manual

A1	Cord winding button	A22	Power cord
A2	Full dust bag indicator	A23	Carry handle
A3	Vacuum hose connection hole	A24	Front travel wheel with swivel mechanism
A4	Clip for locking and releasing the lid	A25	Vertical parking position
A5	Button for opening the accessory compartment	A26	Telescopic slot nozzle for vacuuming in hard to reach places (e.g. windows, corners, book shelves, areas between mattresses, upholstery, etc.)
A6	Buttons +/- serve to control the power of the motor.	A27	Upholstery nozzle with an additional brush
A7	START/STOP button	A28	Hard floor nozzle
A8	Rubber-coated wheel	A29	Mini turbo brush
A9	Handle	A30	Long flexible crevice nozzle
A10	Sliding flap for air suction	A31	Dust bag collar
A11	Telescopic tube	A32	Dust bag
A12	Clip for the telescopic tube	A33	Dust bag holder
A13	Floor nozzle	A34	Inflow micro-filter
A14	Flap position for vacuuming carpets	A35	Grill of the inflow micro-filter
A15	Flap position for vacuuming hard (smooth) floors	A36	Outflow micro-filter
A16	Hose	A37	Outflow HEPA filter
A17	Accessory holder (depending on the model)	A48	Grill of the outflow micro-filter and HEPA filter
A18	Stopper for the horizontal and vertical parking position		
A19	Clip		
A20	Hose end		
A21	Horizontal parking position		

ASSEMBLY

Inserting the hose into the air suction hole on the vacuum cleaner:

Press both the safety buttons on the end of the hose **A20** end and insert the hose end **A20** into the air suction opening **A3** on the vacuum cleaner until you hear a "click". The hose **A16** is now secured in the correct position.

Attach the holder to the telescopic tube:

Make sure to place the holder with the hose on the wider part of the telescopic tube **A11**.

Attach the floor nozzle to the telescopic tube:

Make sure the floor nozzle **A13** is attached to the narrower part of the telescopic tube **A11**.

Adjust the length of the telescopic tube:

Adjust the length of the telescopic tube **A11** as required – disengage and hold the clip **A12** on the tube **A11** in the direction shown by the arrow and adjust the length of the tube **A11** as required. Then release the clip **A12** and slide out the tube **A11** slightly forward until you hear a "click". The telescopic tube **A11** is now securely fixed in position.

USING THE VACUUM CLEANER

Connecting your vacuum cleaner to the power grid

Wind out the required length of the power cord **A22** by pulling on the power plug. Insert the power plug into a power socket.



Caution:

Yellow marking on the power cord warns that the power cord is close to its end. Do not pull the cord further than the red marking.

Adjusting the floor inlet nozzle according to the floor surface.

You may set the inlet nozzle **A13** according to the floor surface by adjusting the inlet flap:

- If you want to vacuum carpets, close the bristles of the inlet inside the inlet nozzle, by turning the flap accordingly.
- If you want to vacuum hard and smooth surfaces, extend the bristles out of the nozzle, by turning the flap accordingly.

Turning your vacuum cleaner on and off

To switch your vacuum cleaner on, press the START/STOP button **A7**. To turn off the vacuum cleaner, press the button **A7** again.

Adjusting the suction power

Suction can be controlled using buttons +/- **A6**. The power of the vacuum cleaner is increased using the + button, decreased using the - button. In a smaller range, you may regulate suction power using the mechanically sliding flap **A10** on the hose handle **A9**.



Tips

- Use the maximum suction strength when vacuuming carpets or floors with a hard surface. Use the reduced strength when vacuuming upholstery, window curtains, etc.
- If the hose holder **A9** becomes blocked when vacuuming, disconnect it from the telescopic tube **A11** and also disconnect the hose **A16** from the vacuum cleaner body. Then place the holder inside the suction hole on the vacuum cleaner body and vacuum out the stuck dirt.

Temporary interruption of the vacuuming process

If you wish to interrupt vacuuming for a while, you can use the horizontal **A21** or vertical **A25** parking position on the vacuum cleaner, into which you insert the stopper **A18** on the floor nozzle **A13**.



Attention:

Do not move the vacuum cleaner from place to place if the hose **A16** is in the parked position! The stopper **A18** on the floor nozzle **A13** could brake off.

Ending the vacuuming process

When you finish vacuuming, switch the vacuum cleaner off by pressing the START/STOP button **A7** and then disconnect the power cord plug from the socket.

To wind the power cord **A22** back into the vacuum cleaner, press and hold the winding button **A1** with one hand and guide the power cord **A22** with the other.



Tip:

If the winding process stops and part of the power cord **A22** is still outside, release the winding button **A1** and pull the cable out again by about 50 cm and then press and hold the winding button **A1** again and repeat the winding process.

Carrying the vacuum cleaner

It is possible to hold and carry the vacuum by the handle **A23**.

USING THE ACCESSORIES

The hard floor nozzle **A28** ensures perfect and yet gentle vacuuming of smooth hard surfaces thanks to the brush being from 100% natural bristles. It can be used to vacuum floors that are sensitive to scratching such as wooden or floating floors, marble floors, tiles, linoleum, etc.

The mini turbo brush **A29** is the ideal helper for removing animal fur, hair, etc., while at the same time being suitable for vacuuming hard-to-reach places. Its use is not limited to the home, and can be used for vacuuming the car. It quickly and effectively removes hair, animal fur and other materials from car seats, upholstery, pillows and other textile surfaces.

The long flexible crevice nozzle **A30** serves to vacuum very hard-to-reach places anywhere in your car.

CLEANING AND MAINTENANCE



Caution:

Before cleaning, disconnect this appliance from the power source.

Changing the dust bag

When the full dust bag indicator **A2** lights up, it is necessary to replace the dust bag **A32**. If you do not remove the dust bag **A32**, the suction power will be reduced.

- 1) Open the vacuum cleaner filter area by pressing the lid clip **A4** while pulling it upwards at the same time.
- 2) By pulling on the collar **A31** of the dust bag in the direction of the arrow, remove it from the plastic holder **A33** and insert a new bag.
- 3) Close the lid of the vacuum cleaner, until you hear a click.

Replacing and cleaning the inflow micro-filter and outflow HEPA filter and micro-filter

- 1) Open the vacuum cleaner filter area by pressing the lid clip **A4** while pulling it upwards at the same time.
- 2) By pulling on the collar **A31** of the dust bag in the direction of the arrow, remove it from the plastic holder **A33** to make room for the removal of the filter.
- 3) Pull the inflow micro-filter grill **A35** towards yourself and take out the micro-filter **A34**.
- 4) Simultaneously press both PUSH buttons at the rear of the vacuum cleaner. This will tilt out the rear grill **A38** of the outflow micro-filter and HEPA filter. Put the grill **A38** aside and take out both filters.
- 5) If the micro-filters are **A34**, **A36** slightly soiled, it is possible to wash them under running lukewarm water. If the HEPA filter **A37** is slightly soiled, it is possible to quickly wash it under a weak current of running lukewarm water. This will remove dust and dirt found on its surface. In the event of heavy soiling, replace the filters with new ones.
- 6) Allow washed filters **A34**, **A36** to dry naturally. Do not dry them over heaters or using hair dryers. Then put the inflow micro-filter **A34**, outflow HEPA filter **A37**, micro-filter **A36** and the grills back in their place.
- 7) Return the dust bag **A32**.
- 8) Close the lid of the vacuum cleaner, until you hear a click.

**Attention:**

Never insert the filters back into the vacuum cleaner if they are wet or damp! Always wait until they are thoroughly dry.

Cleaning your vacuum cleaner.

To clean the outside parts of the appliance, use a fine cloth dipped in lukewarm water. Do not use aggressive cleaning agents, paint thinners or solvents. Using these solutions could damage the surface of the appliance.

TROUBLESHOOTING

Before you decide to contact an authorised service centre, please read these following tips in the troubleshooting chart:

Problem	Possible cause	Possible solution
The motor will not start	The power cord A22 is not inserted correctly in the power socket.	Insert the plug firmly into the power socket.
	The power socket is damaged.	Inspect the power socket.
	The vacuum cleaner is not switched on.	Turn on the appliance.
Suction power is weak	The appliance cleaner is clogged.	Remove the items that have clogged the appliance.
	The dust bag A32 is full.	Replace it with a new one.
The power cord is not wound in completely.	The power cord A22 may have slipped down from the winding pulley during winding.	Hold the cable under tension while winding the cable.
The cable cannot be pulled out.	The cable is wound up incorrectly.	Press the winding button A1 of the self winding cable and try to rewind the power cord A22 again.
The power control A6 does not function.	The appliance is out of order.	Have the appliance repaired (only by a qualified technician).
The power cord A22 starts to wind in when it is not required.	The winding mechanism is damaged.	Have the appliance repaired (only by a qualified technician).

STORING THE VACUUM CLEANER

You may store the vacuum cleaner disassembled into its individual parts or you can store it assembled in one of the parking positions.

TECHNICAL SPECIFICATIONS

Rated voltage range	220–240 V
Rated frequency	50/60 Hz
Rated power input	750 W
Electrical shock protection class	II
Noise level	75 dB(A)
Length of the power cord	7 m
Operating range	10 m
Dust bag capacity	3 l
Dimensions (length × width × height)	470 × 290 × 260 mm
Weight	5.3 kg

The declared noise emission level of the appliance is 75 dB(A), which represents a level A of acoustic power with respect to a reference acoustic power of 1 pW.

Changes to text and technical parameters are reserved.

INSTRUCTIONS AND INFORMATION REGARDING THE DISPOSAL OF USED PACKAGING MATERIALS

Dispose of used packaging material at a site designated for waste in your municipality.

DISPOSAL OF USED ELECTRICAL AND ELECTRONIC EQUIPMENT

This symbol on products or original documents means that used electric or electronic products must not be added to ordinary municipal waste. For proper disposal, renewal and recycling hand over these appliances to determined collection points. Alternatively, in some European Union states or other European countries you may return your appliances to the local retailer when buying an equivalent new appliance.

Correct disposal of this product helps save valuable natural resources and prevents potential negative effects on the environment and human

health, which could result from improper waste disposal. Ask your local authorities or collection facility for more details.

In accordance with national regulations penalties may be imposed for the incorrect disposal of this type of waste.

For business entities in European Union states

If you want to dispose of electric or electronic appliances, ask your retailer or supplier for the necessary information.

Disposal in other countries outside the European Union

This symbol is valid in the European Union. If you wish to dispose of this product, request the necessary information about the correct disposal method from the local council or from your retailer.



This product meets all the basic requirements of EU directives related to it.