

7251

CORDLESS IMPACT DRILL & SCREWDRIVER

ΔΡΑΠΑΝΟΚΑΤΣΑΒΙΔΟ ΚΡΟΥΣΤΙΚΟ ΕΠΑΝΑΦ/ΜΕΝΟ



Operation manual
Εγχειρίδιο χρήσης

EN | GR

fig 1

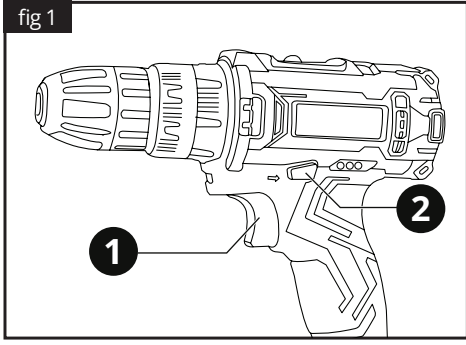


fig 2

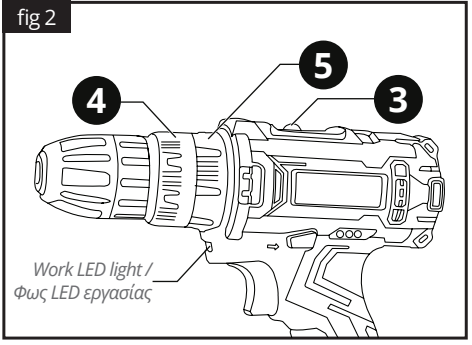
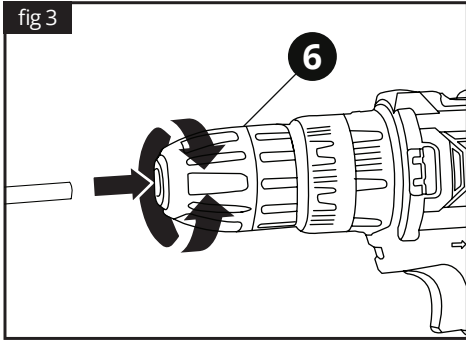
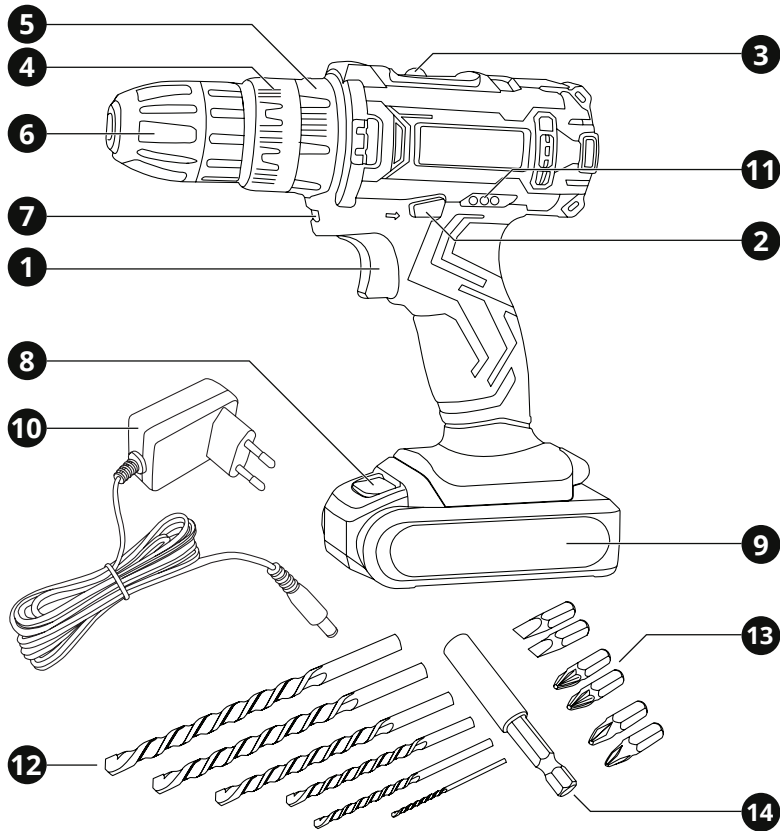


fig 3



ENGLISH | EN



1. Overview

Tool description

- | | |
|---|--|
| 1 ON / OFF switch | 8 Battery pack release button |
| 2 Left / right rotation switch | 9 Battery pack |
| 3 Two-speed operating switch | 10 Battery charger |
| 4 Torque adjustment ring / hammer selector | 11 Battery capacity indicator LED |
| 5 Drilling / screwing selector | 12 6 drills |
| 6 Keyless drill chuck 10mm | 13 6 tips (straight, Pz, Ph) |
| 7 Working LED light | 14 Magnetic adapter |

2. General safety regulations

⚠ WARNING:

Disconnect the plug from the power source before making any assembly, adjustments or changing accessories. Such preventative safety measures reduce the risk of starting the tool accidentally.

Read carefully and understand all instructions before using the tool.

When using power tools, the following instructions must be followed to prevent hazards such as electric shock, fire and/or serious injury.

Work area safety

- ▶ Keep work area clean and well lit. Cluttered benches and dark areas invite accidents.
- ▶ Do not operate power tools in explosive atmospheres, such as in the presence of flammable liquids, gases or dust. Power tools create sparks which may ignite the dust or fumes.
- ▶ Keep children and bystanders away while operating a power tool. Distractions can cause you to lose control.

Electrical safety

- ▶ Power tool plugs must match the outlet. Never modify the plug in any way. Do not use any adapter plugs with earthed (grounded) power tools. Unmodified plugs and matching outlets will reduce the risk of electric shock.
- ▶ Avoid body contact with earthed or grounded surfaces such as pipes, radiators, ranges and refrigerators. There is an increased risk of electric shock if your body is earthed or grounded.
- ▶ Do not expose power tools to rain or wet conditions. Water entering a power tool will increase the risk of electric shock.
- ▶ Do not abuse the cord. Never use the cord for carrying, pulling or unplugging the power tool. Keep cord away from heat, oil, sharp edges or moving parts. Damaged or entangled cords increase the risk of electric shock.
- ▶ When operating a power tool outdoors, use

an extension cord suitable for outdoor use. Use of a cord for outdoor use reduces the risk of electric shock.

Personal safety

- ▶ Stay alert, watch what you are doing and use common sense when operating a power tool. Do not use a power tool while you are tired or under the influence of drugs, alcohol or medication. A moment of distraction while operating power tools may result in serious personal injury.
- ▶ Use safety equipment. Always wear eye protection. Safety equipment such as dust mask, non-skid safety shoes, hard hat, or hearing protection used for appropriate conditions will reduce personal injuries.
- ▶ Avoid accidental starting. Ensure the switch is in the off-position before plugging in. Carrying power tools with your finger on the switch or plugging in power tools that have the switch on invites accidents.
- ▶ Remove any adjusting key or wrench before turning the power tool ON. A wrench or a key left attached to a rotating part of the power tool may result in personal injury.
- ▶ Do not overreach. Keep proper footing and balance at all times. This enables better control of the power tool in unexpected situations.
- ▶ Dress properly. Do not wear loose clothing or jewellery. Keep your hair, clothing and gloves away from moving parts. Loose clothes, jewellery or long hair can be caught in moving parts.
- ▶ If devices are provided for the connection of dust extraction and collection facilities, ensure these are connected and properly used. Use of these devices can reduce dust related hazards.

Power tool use and care

- ▶ Do not force the power tool. Use the correct power tool for your application. The correct power tool will do the job better and safer for the purpose for which it was designed.
- ▶ Do not use the power tool if the switch does not turn it ON and OFF. Any power tool that cannot be controlled with the switch is dangerous and must be repaired.

- ▶ Disconnect the plug from the power source before making any adjustments, changing accessories or storing power tools. Such preventative safety measures reduce the risk of starting the power tool accidentally.
- ▶ Store idle power tools out of the reach of children and do not allow persons unfamiliar with the power tool or these instructions to operate the power tool. Power tools are dangerous in the hands of untrained users.
- ▶ Maintain power tools, check for misalignment or binding of moving parts, breakage of parts and any other condition that may affect the power tools' operation. If damaged, have the power tool repaired before use. Many accidents are caused by poorly maintained power tools.
- ▶ Keep cutting tools sharp and clean. Properly maintained cutting tools with sharp cutting edges are less likely to bind and are easier to control.
- ▶ Use the power tool, accessories and tool bits etc., in accordance with these instructions and in the manner intended for the particular type of power tool, taking into account the working conditions and the work to be performed. Use of the power tool for operations different from intended could result in a hazardous situation.
- ▶ medical help. Liquid ejected from the battery may cause irritation or burns.
- ▶ Before using battery charger, read all instructions and cautionary markings on battery charger, battery pack, and product using battery.
- ▶ Cleaning and user maintenance shall not be made by children without supervision.
- ▶ If the supply cord is damaged, it must be replaced by the manufacturer, its service agent or a similarly qualified person in order to avoid a hazard.
- ▶ Do not disassemble charger or operate the charger if it has received a sharp blow, been dropped or otherwise damaged in any way. Incorrect reassembly may result in a risk of electric shock, electrocution or fire.
- ▶ Do not recharge battery in damp or wet environment. Do not expose charger to rain or snow. If battery case is cracked or otherwise damaged, do not insert into charger. Battery short or fire may result.
- ▶ Make sure that cord is located so that it will not be stepped on, tripped over, or otherwise subjected to damage or stress.
- ▶ Do not use an extension cord unless it is absolutely necessary. Use of improper extension cord could result in risk of fire, electric shock.

Battery use and care

- ▶ Recharge only with the charger specified by the manufacturer. A charger that is suitable for one type of battery pack may create a risk of fire when used with another battery pack.
- ▶ Use power tools only with specifically designated battery packs. Use of any other packs may create a risk of injury and fire.
- ▶ When battery pack is not in use, keep it away from other metal objects, like paper clips, coins, keys, nails, screws or other small metal objects, that can make a connection from one terminal to another. Shorting the battery may cause irritation or burns.
- ▶ Under abusive conditions, liquid may be ejected from the battery; avoid contact.
- ▶ If contact accidentally occurs, flush with water. If liquid contacts eyes, seek additional
- ▶ Disconnect the charger from the outlet before attempting any cleaning. This will reduce the risk of electric shock. Removing the battery pack will not reduce this risk.
- ▶ The charger is designed to operate on standard household electrical power (220-240 volts, 50-60 Hz AC only). Do not attempt to use it on any other voltage.
- ▶ This power unit is intended to be correctly orientated in a vertical or floor mount position.
- ▶ Contents of opened battery cells may cause respiratory irritation. Provide fresh air. If symptoms persist, seek medical attention.
- ▶ Burn hazard. Battery liquid may be flammable if exposed to spark or flame.
- ▶ Do not splash or immerse in water or other liquids. This may cause premature cell failure.

- ▶ Do not place batteries in a tool box or pocket with nails, screws, keys, etc. Fire or injury may result.

Service

- ▶ Have your power tool serviced by a qualified repair person using only genuine replacement parts. This will ensure that the safety of the power tool is maintained.
- ▶ Follow instruction for lubricating and changing accessories.
- ▶ Keep handles dry, clean and free from oil and grease.

3. Specific safety regulations

DO NOT let comfort or familiarity with product (gained from repeated use) replace strict adherence to electric power tools' safety rules. If you use this tool unsafely or incorrectly, you can suffer serious personal injury.

- 1 Wear ear protectors. Exposure to noise can cause hearing loss.
- 2 Use auxiliary handles supplied with the tool. Loss of control can cause personal injury.
- 3 Hold power tools by insulated gripping surfaces when performing an operation where the cutting tool may contact hidden wiring or its own cord. Contact with a "live" wire will make exposed metal parts of the tool "live" and shock the operator.
- 4 Wear a hard hat (safety helmet), safety glasses and/or face shield. Ordinary eye or sun glasses are NOT safety glasses. It is also highly recommended that you wear a dust mask and thickly padded gloves.
- 5 Be sure the bit is secured in place before operation.
- 6 Under normal operation, the tool is designed to produce vibration. The screws can come loose easily, causing a breakdown or accident. Check tightness of screws carefully before operation.
- 7 In cold weather or when the tool has not been used for a long time, let the tool warm up for a while by operating it under no load. This will loosen up the lubrication.
- 8 Always be sure you have a firm footing. Be

sure no one is below when using the tool in high locations.

- 9 Hold the tool firmly with both hands.
- 10 Keep hands away from moving parts.
- 11 Do not leave the tool running. Operate the tool only when hand-held.
- 12 Do not point the tool at any one in the area when operating. Parts could fly out and injure someone seriously.
- 13 Do not touch parts close to the bit immediately after operation; they may be extremely hot and could burn your skin.
- 14 Some material contains chemicals which may be toxic. Take caution to prevent dust inhalation and skin contact. Follow material supplier safety data.

Additional safety regulations for cordless drills

- Remove the battery pack from the drill before carrying out adjustments.
- Do not store the battery pack in temperatures over 45°C.
- Always charge the battery pack between temperatures 0°C to 30°C. Ideal charging temperature is 18°C to 24°C.
- Only use the charger and the battery pack provided, no other battery is suitable.
- Do not incinerate or burn the battery pack, it may explode. Do not dispose of batteries in fire, or with household waste. Return exhausted batteries to your local collection or recycling point.
- Do not charge a damaged battery pack.
- Always remove the battery pack from the charger immediately after re-charging is completed or when not in use.
- Your drill and battery pack will be warm when working, this is normal. Accessories and metal plates can become very hot.
- Always check walls, floors and ceilings for hidden power cables and pipes.
- This appliance is not intended for use by persons (including children) with reduced physical, sensory or mental capabilities, or lack of experience and knowledge, unless they have been given supervision or instruc-

tion concerning use of the appliance by a person responsible for their safety. Children should be supervised to ensure that they do not play with the appliance.

- Before working on a component, ensure that the component is held down using a vice or fastening clamp.
- Do not use excessive pressure, but instead select an appropriate speed. Excessive pressure will not increase drilling efficiency, and may damage your appliance.
- Set the rotation direction switch to its central position when machine not in use in order to avoid accidental operation.
- Only use the battery charger in closed rooms and do not expose this to rain or humidity.
- Do not use a battery charger whose power lead is damaged. It must be replaced by the manufacturer, its service agent or similarly qualified persons in order to avoid a hazard. In the event of damage being apparent to the battery charger housing, have this examined by a specialised repair shop and if necessary replaced.
- Never charge damaged batteries as these can short circuit and overheat.
- When the charger is in use it MUST be supervised, if there is any evidence of overheating then IMMEDIATELY disconnect the charger from the power supply.
- If gas or smoke is emitted from the battery during charging switch off the power supply and move to a well vented area. CAUTION: If there is liquid leaking from the battery wear protective clothing, glasses and clothes as this can be acidic.
- Always wear protective eyewear and ear protectors when working. A dust mask should be worn during any dust-producing work.
- Do not pierce the battery with nails, strike the battery with a hammer, step on the battery or otherwise subject it to strong impacts or shocks.
- Do not disassemble or modify the battery. It contains safety and protection devices, which, if damaged, may cause the battery to generate heat, explode or ignite. The protection circuit module provided with battery packs is not to be used as a substitute for a shut-off switch.

- Do not place the battery in or near fire, on stoves or other high temperature locations. Do not place battery in direct sunlight, or use or store inside during hot weather. Heating the battery can damage the safety circuitry, which can cause additional heating, rupture or ignition of the battery. Using the battery in this manner may also result in a loss of performance and a shortened life expectancy.
- Do not place the battery in microwave ovens, high-pressure containers or on induction cookware.
- If you intend to store a battery for a period without use then store battery at room temperature (19°C to 25°C), charge to about 30-50% of capacity. When storing for very long periods boost-charge the battery once a year to prevent over discharge.
- Do not continue charging the battery if it does not recharge within the specified charging time. Doing so may cause the battery to become hot, explode or ignite.

SAVE THESE INSTRUCTIONS

WARNING:

Misuse or failure to follow the safety rules stated in this instruction manual may cause serious personal injury.

4. Functional description and specifications

Intended use

The cordless drill is intended for drilling metal or wood or similar materials, and occasionally for impact drilling on masonry or similar materials.

Battery

Before using your cordless drill

Your battery pack is UNCHARGED and you must charge once before use. When you charge the new battery or one which has not been used for long periods of time, it may not reach full charge until after you have discharged it fully in use and recharge it several times.

Charging the battery

Insert the charger plug **10** into a suitable mains socket and insert the other end to the battery

pack. Normally it takes 3-5 hours to fully charge the battery.

⚠ WARNING:

When battery charge runs out after continuous use or exposure to direct sunlight or heat, allow time for the tool to cool down before re-charging to achieve the full charge.

Removing or inserting the battery pack

Always switch off the tool before insertion or removal of the battery pack **9**. To remove the battery pack, withdraw it from the tool while pressing the release button **8**. To insert the battery pack, align the tongue on the battery pack with the groove in the housing and slip it into place. Always insert it all the way until it locks in place with a little click. If not, it may accidentally fall off the tool, causing injury to you or someone around you. Do not use force when inserting the battery pack. If the pack does not slide easily, it is not being inserted correctly.

Battery capacity indicator

The three lights **11** on the side of the tool body (red, orange, green) indicate the battery capacity status.

- **Red:** 0% - 20%
- **Orange:** 20% - 60%
- **Green:** 60% - 100%.

Tool	7251
Power supply	20V DC
Rotation speed	0-500/0-1700 min ⁻¹
Chuck	10 mm, automatic
Torque	35 Nm
<i>Drilling capacity in</i>	
Masonry	10 mm
Steel	10 mm
Wood	25 mm
Tool weight	1.2 kg
<i>Charger</i>	
Input	100-240V-50/60Hz 0.5A
Output	21.0V DC 12W
Charging time	3-5 h
Charger weight	96.5 g
<i>Battery</i>	
Rated voltage / capacity	20V/1300mAh
Battery type	Li-Ion
Battery weight	305 g

Switching the tool ON and OFF

To switch the tool on, push the ON / OFF switch **1** (fig 1). To turn the tool off, release the ON / OFF switch **1**. The ON / OFF switch is fitted with a brake function which stops your chuck immediately when you quickly release the switch. The variable speed control enables you to select the best speed for a particular job. The further you squeeze the switch, the faster the drill will operate.

⚠ WARNING:

Do not operate for long periods at low speed because excess heat will be produced internally.

Using the LED work light

The LED work light (fig 2) allows you to keep a clear view under less illuminated circumstances.

- Pushing the ON / OFF switch **1** will turn on the work LED light.
- Leaving the operating button **1** will switch off the working LED light.

Left / right motion direction

The rotation direction of the drill chuck **6** can be changed using the rotation direction switch **2** (fig 1).

- To change the direction of rotation, stop the machine and turn the left / right switch **2** in the desired direction (fig 1).
- The central position of the left / right switch **2** locks the ON / OFF switch **1**.
- Before beginning to work, check that the rotation direction switch **2** is in the desired position in order to avoid potential damage to the tool or to the battery powered drill.
- For drilling and screw driving use right rotation. Use left rotation only to unscrew or release a jammed drill.

⚠ WARNING:

Never change the direction of rotation when the chuck is rotating. Wait until it has stopped.

Two-speed gear control

This machine has a two-speed gear control designed for drilling or driving screws at low speeds (mark is 1) or high speeds (mark is 2). A slide switch **3** is located on top of the drill (fig 2) to select either low or high speed.

- When using the drill in the low speed range, the speed will decrease and the drill will have greater power and torque.
- When using the drill in the high speed range, the speed will increase and the drill will have less power and torque.

⚠ WARNING:

To prevent gear damage, always allow the chuck to come to a complete stop before changing the two-speed gear train.

Inserting / removing a bit

This machine is fitted with a keyless chuck **6** for greater convenience, a chuck key is not needed to secure a bit in the chuck. To insert / remove a drill bit or other accessories, rotate the front sleeve of chuck jaws sufficiently so as to fit the desired accessory. Insert the drill bit or other accessory into the chuck and tighten securely by rotating the front sleeve in clockwise direction (fig 3).

⚠ WARNING:

Remove the battery pack and set the left / right control to the locked centre position when installing or removing bits to prevent accidental starting.

Torque adjustment

The torque is adjusted by rotating the torque adjustment ring **4** (fig 2). The torque is greater when the torque adjustment ring is set on a higher setting. The torque is less when the torque adjustment ring is set on a lower setting.

Make the setting as follows:

- 1: Low setting, e.g. small screws, soft materials.
- 18: High setting, e.g. large screws, hard materials.

Drilling / screwing selector

Drilling or screwing is adjusted by rotating the drilling / screwing selector **5** (fig 2).

- If you want to activate the drill function **without impact** (for drilling metal, wood or plastic), turn the drilling / screwing selector **5** on the drill position **T**.
- If you want to activate the drill function **with impact** (for masonry or concrete), turn the

- drilling / screwing selector **5** on the hammer position **T**.

If you want to activate the screwing function, turn the drilling / screwing selector **5** on the screw position **A**.

Drilling

When drilling hard smooth surfaces, use a centre punch to mark the desired hole location. This will prevent the drill bit from slipping off centre as the hole is started. Hold the tool firmly and place the tip of the bit at the point to be drilled. Depress the ON / OFF switch trigger to start the tool. Move the drill bit into the workpiece, applying only enough pressure to keep the bit drilling. Do not force or apply side pressure to elongate a hole.

⚠ WARNING:

When drilling in metal, only use HSS drill bits in good condition. Always use a magnetic bit holder when using short screwdriver bits. When screw-driving, apply a small quantity of liquid soap or similar to the screw threads to ease insertion.

5. Maintenance

Correct and regular cleaning will improve the safety and extend the lifespan of the device.

For safe and proper working, always keep the tool and ventilation slots clean.

The tool may be cleaned most effectively with compressed dry air or with a soft cloth moistened with soapy water. **Always wear safety goggles when cleaning tools with compressed air.**

Certain cleaning agents and solvents damage plastic parts. Some of these are: gasoline, carbon tetrachloride, chlorinated cleaning solvents, ammonia and household detergents that contain ammonia.

The brushes and commutator in your tool have been engineered for many hours of dependable service. To maintain peak efficiency of the motor, we recommend every two to six months the brushes be examined.

Store the tool, operating instructions and where necessary the accessories in the original packaging. In this way you will always have all the information and parts ready to hand.

⚠ WARNING:

Turn the device off, disconnect it from the mains and wait until it cools down before cleaning or maintenance to avoid electric shock or burn.



Wear ear defenders



Wear safety goggles



Wear a dust mask



Impact drilling



Drilling



Screwing

6. Warranty

This tool has been checked by the manufacturer. From the date of purchase by the final consumer, a two year warranty for **amateur use** covers any faulty material and manufacturing. The receipt or invoice of purchase needs to be displayed in case of a repair that is covered by the warranty. For possible faults during the warranty period, you should address your issue to the retail shop from which the purchase was made.

Terms of warranty

The warranty is valid only when:

- The tool has been used properly and for the purpose for which it was purchased.
- The tool presents a problem that is due to faulty material and manufacturing.
- Incapability of the tool to perform according to the technical specs provided.

Damages are not covered by the warranty that are due to causes such as:

- Wear due to improper use.
- Partial or total disassembly. The tool's shell

must be disassembled only by personnel authorised by the official distributor.

- Damage due to overloading.
- Usage of incorrect or incompatible accessory.
- Bad maintenance from the operator or any other third party.
- Wear that was induced by external factors or rogue particles (dust, debris etc.)
- Wear due to non compliance with the instructions in this manual.

If, during the warranty period, there is a fault that can not be repaired from the authorised service department, the tool will be replaced without any extra cost.

7. Repair / Servicing

In case there is a need for a repair after the warranty period has expired, we will provide the best possible attention to repair the tool successfully.

8. Disposal



Do not dispose of electrical machines as unsorted municipal waste, use separate collection facilities.

Contact your local government collection systems for information regarding the collection systems available.

If electrical machines are disposed of in landfills or dumps, hazardous substances can leak into the groundwater and get into the food chain, damaging your health and well-being. When replacing old machines with new ones, the retailer will be happy to take back your old machine for disposal.

9. Declaration of Conformity

Authorized Representative

PAPADEAS S.A.

4-6 Iroon 1912 St., 13671, Acharne, Greece

Herewith declares that:

The **Cordless Impact Drill** with **CODE: 7251** and distinctive title: **NEP-001T/HJ10072100500G** under the brand **KRAUSMANN** (Description: Cordless

Impact drill, 20V, with soft grip handle, 2 mechanical speed 0-500/0-1700rpm, max torque 35Nm, left/right, with quick stop, 10mm keyless chuck, 1pcs 1.3Ah Li-ion battery, 3-5 hours charger, VDE plug, with 6 pcs drill, 6 pcs bits, 1pc adapter, in color box), is designed in conformity with provision of the Directives 2006/42/EC, 2014/35/EEC and the following manufacturing standards: EN62841-1:2015, EN62841-2-1:2018, AfPS GS 2014:01 PAK, EN60335-2-29:2004+A2:2010+A11:2018, EN60335-1:2012+A11:2014+A13:2017+A1:2019+A2:2019 +A14:2019, EN62233:2008, AfPS GS 2014:01 PAK.

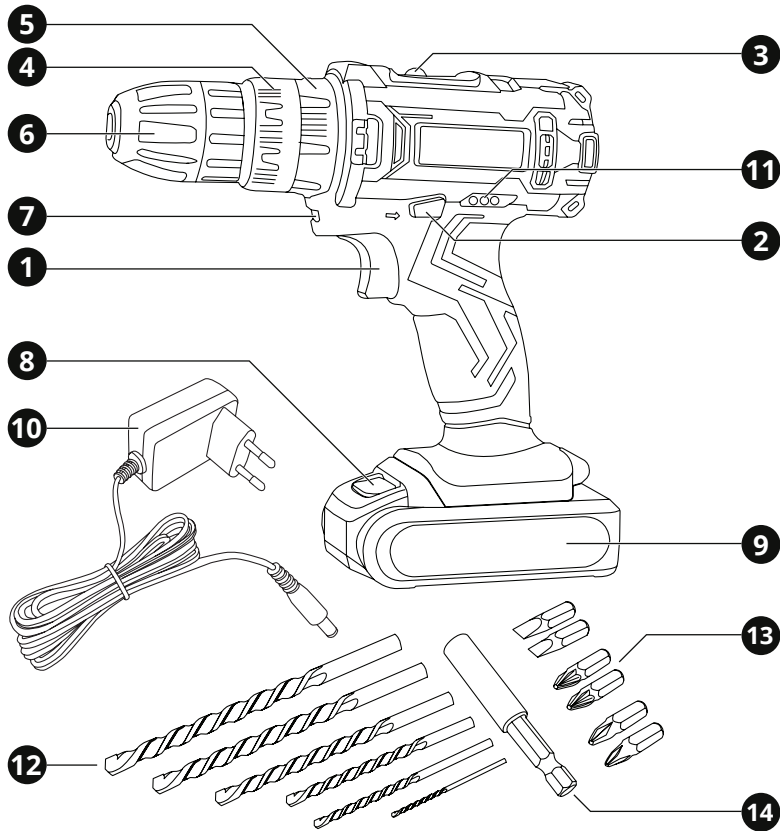
Year in which "CE" marking was affixed: tool 2019, charger 2020

Date: September 10th, 2019



** Accessories and contents may change from the production factory without any warnings, in that case the company bears no responsibility.*

ΕΛΛΗΝΙΚΑ | GR



1. Επισκόπηση

Περιγραφή Εργαλείου

- | | |
|--|---|
| 1 Διακόπτης ON / OFF | 8 Κουμπί απελευθέρωσης μπαταρίας |
| 2 Διακόπτης δεξιά / αριστερά | 9 Μπαταρία |
| 3 Διακόπτης 2 ταχυτήτων | 10 Φορτιστής μπαταρίας |
| 4 Δακτύλιος ρύθμ. ροπής | 11 LED ένδειξη χωρητικότητας μπαταρίας |
| 5 Επιλογή διάτρησης / βιδώματος | 12 6 τρυπάνια αέρος |
| 6 Αυτόματο τσοκ 10mm | 13 6 μύτες (ίσιες, Pz, Ph) |
| 7 Φως LED εργασίας | 14 Μαγνητικός αντάπτορας |

2. Γενικές οδηγίες ασφαλείας

⚠ ΠΡΟΣΟΧΗ:

Αποσυνδέστε το φως από την πρίζα πριν προχωρήσετε σε συναρμολόγηση, παραμετροποιήσεις ή αλλαγή αξεσουάρ.

Τέτοια προληπτικά μέτρα ασφάλειας μειώνουν τον κίνδυνο ακούσιας εκκίνησης του εργαλείου.

Διαβάστε προσεκτικά και τηρήστε αυτές τις οδηγίες πριν τη χρήση του εργαλείου.

Όταν χρησιμοποιείτε ηλεκτρικά εργαλεία, οι ακόλουθες οδηγίες πρέπει να τηρούνται για τη πρόληψη κινδύνου ηλεκτροπληξίας, προσωπικού τραυματισμού και πυρκαγιάς.

Ασφάλεια χώρου εργασίας

- ▶ Διατηρείτε το χώρο εργασίας καθαρό και καλά φωτισμένο. Οι βρώμικοι χώροι και οι σκοτεινοί πάγκοι εργασίας κρύβουν κινδύνους.
- ▶ Μη λειτουργείτε ηλεκτρικά εργαλεία στη βροχή ή σε υγρά μέρη. Μη χρησιμοποιείτε τα ηλεκτρικά εργαλεία κοντά σε εύφλεκτα υγρά ή αέρια. Τα ηλεκτρικά εργαλεία δημιουργούν σπινθήρες που μπορεί να αναφλέξουν τη σκόνη ή τις αναθυμιάσεις.
- ▶ Κρατήστε τους επισκέπτες και τα παιδιά μακριά ενώ λειτουργείτε ένα ηλεκτρικό εργαλείο. Κάθε απόσπαση της προσοχής σας μπορεί να προκαλέσει απώλεια ελέγχου του εργαλείου και να προκαλέσει ατύχημα.

Ασφάλεια ηλεκτρισμού

- ▶ Τα φως των ηλεκτρικών εργαλείων πρέπει να ταιριάζουν με τις πρίζες. Ποτέ μην τροποποιείτε την πρίζα με οποιοδήποτε τρόπο. Μη χρησιμοποιείτε μετατροπείς πρίζας με γειωμένα ηλεκτρικά εργαλεία. Οι πρίζες που δεν έχουν τροποποιηθεί και που ταιριάζουν στο φως θα μειώσουν τον κίνδυνο ηλεκτροπληξίας.
- ▶ Αποφεύγετε σωματική επαφή με γειωμένες επιφάνειες όπως σωλήνες, καλωριφές, ψυγεία. Υπάρχει αυξημένος κίνδυνος ηλεκτροπληξίας αν το σώμα σας είναι γειωμένο.

- ▶ Μην εκθέτετε ηλεκτρικά εργαλεία σε συνθήκες βροχής ή σε υγρά. Το νερό που εισέρχεται σε ένα ηλεκτρικό εργαλείο θα αυξήσει τον κίνδυνο ηλεκτροπληξίας.
- ▶ Μην κακομεταχειρίζεστε το καλώδιο. Ποτέ μη χρησιμοποιείτε το καλώδιο για να μεταφέρετε το εργαλείο ή για να το αποσυνδέσετε από την πρίζα τραβώντας το. Φυλάξτε το καλώδιο μακριά από τη ζέστη, το λάδι, κοφτερές επιφάνειες και κινούμενα μέρη. Τα φθαρμένα ή μπερδεμένα καλώδια αυξάνουν τον κίνδυνο ηλεκτροπληξίας.
- ▶ Όταν χρησιμοποιείτε το εργαλείο σε εξωτερικούς χώρους, να χρησιμοποιείτε μόνο προεκτάσεις καλωδίων που είναι κατάλληλες για αντίστοιχη χρήση. Η χρήση ενός τέτοιου καλωδίου μειώνει τον κίνδυνο ηλεκτροπληξίας.

Προσωπική ασφάλεια

- ▶ Να είστε σε επαγρύπνηση, να προσέχετε τι κάνετε και να χρησιμοποιείτε τη κοινή λογική όταν χρησιμοποιείτε ένα ηλεκτρικό εργαλείο. Μη χρησιμοποιείτε το εργαλείο όταν είστε κουρασμένος ή υπό την επήρεια ναρκωτικών, αλκοόλ ή φαρμακευτικής αγωγής. Μια στιγμή απροσεξίας μπορεί να προκαλέσει σοβαρό προσωπικό τραυματισμό.
- ▶ Χρησιμοποιείτε εξοπλισμό ασφαλείας. Πάντα να φοράτε προστασία για τα μάτια σας. Η χρήση κατάλληλου εξοπλισμού ασφαλείας για τις εκάστοτε συνθήκες εργασίας όπως μάσκα σκόνης, αντιολισθητικά παπούτσια ασφαλείας, κράνος προστασίας ή ωτοασπίδες θα μειώσει τον κίνδυνο προσωπικού τραυματισμού.
- ▶ Αποφύγετε ακούσια εκκίνηση του εργαλείου. Βεβαιωθείτε ότι ο διακόπτης είναι στη θέση OFF πριν το συνδέσετε στην πρίζα. Η μεταφορά εργαλείων που είναι συνδεδεμένα στην πρίζα με το δάκτυλο στο διακόπτη μπορεί να προκαλέσει ατύχημα.
- ▶ Αφαιρέστε τα εργαλεία και κλειδιά ρύθμισης πριν εκκινήσετε το εργαλείο. Αν έχει ξεχαστεί ένα τέτοιο εξάρτημα σε ένα περιστρεφόμενο μέρος του εργαλείου, μπορεί να προκαλέσει προσωπικό τραυματισμό.

- ▶ Μην υπερβάλλετε τεντώνοντας τα σωματικά σας μέρη. Διατηρείστε τη σωστή θέση των ποδιών σας και την ισορροπία σας ανά πάσα στιγμή. Έτσι θα έχετε καλύτερο έλεγχο του ηλεκτρικού εργαλείου σε αναπάντεχες καταστάσεις.
- ▶ Ντυθείτε κατάλληλα. Μη φοράτε χαλαρά ρούχα ή κοσμήματα. Κρατείστε τα μαλλιά, ρούχα και γάντια σας μακριά από κινούμενα μέρη. Τα χαλαρά ρούχα, κοσμήματα ή μακριά μαλλιά ενδέχεται να πιαστούν σε κινούμενα μέρη.
- ▶ Αν παρέχονται εξαρτήματα για εξαγωγή και περισυλλογή σκόνης, βεβαιωθείτε ότι είναι συνδεδεμένα και χρησιμοποιούνται σωστά. Η χρήση τέτοιων εξαρτημάτων μπορεί να μειώσουν κινδύνους που σχετίζονται με τη σκόνη.

Χρήση και φροντίδα του ηλεκτρικού εργαλείου

- ▶ Μη ζορίζετε το ηλεκτρικό εργαλείο. Χρησιμοποιείστε το κατάλληλο ηλεκτρικό εργαλείο για την κάθε ανάγκη. Το κατάλληλο εργαλείο θα φέρει εις πέρας την εργασία με μεγαλύτερη επιτυχία και ασφάλεια, όταν χρησιμοποιείται για το σκοπό που έχει κατασκευαστεί.
- ▶ Μη χρησιμοποιείτε το ηλεκτρικό εργαλείο αν ο διακόπτης δε γυρνάει στη θέση ON και OFF. Οποιοδήποτε ηλεκτρικό εργαλείο που δεν μπορεί να λειτουργήσει με το διακόπτη είναι επικίνδυνο και πρέπει να επισκευαστεί.
- ▶ Να βγάζετε το φις από την πρίζα πριν προχωρήσετε σε αλλαγές των αξεσουάρ ή σε αποθήκευση. Τέτοια προληπτικά μέτρα ασφαλείας μειώνουν τον κίνδυνο ακούσιας εκκίνησης του εργαλείου.
- ▶ Αποθηκεύστε τα εκτός λειτουργίας ηλεκτρικά εργαλεία σε χώρο που δεν είναι προστός σε παιδιά και μην επιτρέψετε να τα λειτουργήσουν άτομα που δεν έχουν την κατάλληλη γνώση ή δεν έχουν διαβάσει το εγχειρίδιο χρήσης. Τα ηλεκτρικά εργαλεία είναι επικίνδυνα στα χέρια μη εκπαιδευμένων ατόμων.
- ▶ Συντηρείστε τα ηλεκτρικά εργαλεία, ελέγξτε την ευθυγράμμιση ή εμπλοκή των κινούμενων τμημάτων, τυχόν ρωγμές

τμημάτων, σύνδεση και κάθε άλλη συνθήκη που μπορεί να το καταστήσει επικίνδυνο και να επηρεάσει τη λειτουργία του. Αν έχει υποστεί ζημιά, πρέπει να επισκευαστεί κατάλληλα από ένα εξουσιοδοτημένο σέρβις πριν χρησιμοποιηθεί. Πολλά ατυχήματα μπορούν να συμβούν από ηλεκτρικά εργαλεία που δεν έχουν συντηρηθεί κατάλληλα.

- ▶ Διατηρείστε τα εργαλεία κοφτερά και καθαρά. Τα εργαλεία κοπής που είναι σωστά διατηρημένα και έχουν κοφτερές άκρες είναι λιγότερο πιθανό να χαλάσουν και είναι πιο εύκολα στον έλεγχο.
- ▶ Χρησιμοποιείτε το ηλεκτρικό εργαλείο, τα αξεσουάρ, τα εξαρτήματα κ.λπ. σύμφωνα με αυτές τις οδηγίες και με τον κατάλληλο τρόπο για το συγκεκριμένο τύπο του ηλεκτρικού εργαλείου, λαμβάνοντας υπόψη τις συνθήκες και την εργασία που πρέπει να πραγματοποιηθεί. Η χρήση του εργαλείου για σκοπούς διαφορετικούς από αυτούς για τους οποίους προορίζεται μπορεί να προκαλέσουν μια επικίνδυνη κατάσταση.

Χρήση και φροντίδα της μπαταρίας

- ▶ Επαναφορτίστε μόνο με τον φορτιστή που καθορίζεται από τον κατασκευαστή. Ένας φορτιστής που είναι κατάλληλος για έναν τύπο μπαταρίας μπορεί να δημιουργήσει κίνδυνο φωτιάς όταν χρησιμοποιείται με άλλη μπαταρία.
- ▶ Χρησιμοποιείτε ηλεκτρικά εργαλεία μόνο με ειδικές μπαταρίες. Η χρήση οποιωνδήποτε άλλων μπαταριών μπορεί να δημιουργήσει κίνδυνο τραυματισμού και πυρκαγιάς.
- ▶ Όταν η μπαταρία δεν χρησιμοποιείται, κρατήστε την μακριά από άλλα μεταλλικά αντικείμενα, όπως συνδετήρες, νομίσματα, κλειδιά, καρφιά, βίδες ή άλλα μικρά μεταλλικά αντικείμενα, τα οποία μπορούν να συνδέσουν το ένα τερματικό με το άλλο. Το βραχυκύκλωμα της μπαταρίας μπορεί να προκαλέσει ερεθισμό ή εγκαύματα.
- ▶ Σε καταχρηστικές συνθήκες, μπορεί να εκτοξευθεί υγρό από την μπαταρία. Αποφύγετε την επαφή. Σε περίπτωση τυχαίας επαφής, ξεπλύνετε με νερό. Εάν το υγρό έρθει σε επαφή με τα μάτια, ζητήστε

επιπλέον ιατρική βοήθεια. Το υγρό που εξέρχεται από την μπαταρία μπορεί να προκαλέσει ερεθισμό ή εγκαύματα.

- ▶ Πριν χρησιμοποιήσετε το φορτιστή μπαταρίας, διαβάστε όλες τις οδηγίες και τις προειδοποιητικές ενδείξεις στο φορτιστή, τη μπαταρία και το προϊόν που θα χρησιμοποιήσετε την μπαταρία.
- ▶ Ο καθαρισμός και η χρήση της μπαταρίας δεν πρέπει να γίνεται από παιδιά χωρίς επίβλεψη.
- ▶ Εάν το καλώδιο τροφοδοσίας έχει υποστεί ζημιά, πρέπει να αντικατασταθεί από τον κατασκευαστή, τον αντιπρόσωπο σέρβις ή ένα εξειδικευμένο άτομο για να αποφευχθεί ο κίνδυνος.
- ▶ Μην αποσυναρμολογείτε και μην χρησιμοποιείτε το φορτιστή εάν έχει υποστεί έντονο χτύπημα, έχει πέσει ή έχει υποστεί άλλη ζημιά με οποιονδήποτε τρόπο. Η λανθασμένη συναρμολόγηση ενδέχεται να προκαλέσει ηλεκτροπληξία ή πυρκαγιά.
- ▶ Μην επαναφορτίζετε την μπαταρία σε υγρό ή βρεγμένο περιβάλλον. Μην εκθέτετε το φορτιστή σε βροχή ή χιόνι. Εάν η θήκη της μπαταρίας είναι ραγισμένη ή κατεστραμμένη, μην την τοποθετείτε στο φορτιστή. Μπορεί να προκληθεί πυρκαγιά.
- ▶ Βεβαιωθείτε ότι το καλώδιο είναι τοποθετημένο έτσι ώστε να μην πατηθεί ή υποστεί με άλλο τρόπο ζημιά.
- ▶ Μην χρησιμοποιείτε καλώδιο επέκτασης εκτός εάν είναι απολύτως απαραίτητο. Η χρήση ακατάλληλου καλωδίου επέκτασης μπορεί να οδηγήσει σε κίνδυνο πυρκαγιάς ή ηλεκτροπληξίας.
- ▶ Αποσυνδέστε το φορτιστή από την πρίζα πριν τον καθαρισμό. Αυτό θα μειώσει τον κίνδυνο ηλεκτροπληξίας. Η αφαίρεση της μπαταρίας δεν θα μειώσει αυτόν τον κίνδυνο.
- ▶ Ο φορτιστής έχει σχεδιαστεί για να λειτουργεί με τυπική ηλεκτρική ενέργεια οικιακής χρήσης (220-240 volt, μόνο 50-60 Hz AC). Μην επιχειρήσετε να το χρησιμοποιήσετε σε οποιαδήποτε άλλη τάση.
- ▶ Αυτή η μονάδα ισχύος προορίζεται να είναι

σωστά τοποθετημένη σε κατακόρυφη θέση.

- ▶ Το περιεχόμενο της μπαταρίας μπορεί να προκαλέσει ερεθισμό του αναπνευστικού συστήματος. Σε αυτή την περίπτωση να παρέχετε καθαρό αέρα. Εάν τα συμπτώματα επιμένουν, ζητήστε ιατρική βοήθεια.
- ▶ Κίνδυνος εγκαύματος. Το υγρό της μπαταρίας μπορεί να είναι εύφλεκτο εάν εκτίθεται σε σπίθιες ή φλόγα.
- ▶ Μην την πιτσιλάτε ή ρίχνετε σε νερό ή άλλα υγρά. Αυτό μπορεί να προκαλέσει βλάβη.
- ▶ Μην τοποθετείτε τη μπαταρία σε εργαλειοθήκη ή τσέπη με καρφιά, βίδες, κλειδιά κλπ. Μπορεί να προκληθεί πυρκαγιά ή τραυματισμός.

Επισκευή / Σέρβις

- ▶ Δώστε το εργαλείο σας να επισκευαστεί από έναν εξειδικευμένο ειδικό, χρησιμοποιώντας μόνο γνήσια ανταλλακτικά. Αυτό θα εξασφαλίσει τη διατήρηση της ασφάλειας του ηλεκτρικού εργαλείου.
- ▶ Ακολουθείστε τις οδηγίες για τη λίπανση και την αλλαγή των αξεσουάρ.
- ▶ Διατηρείστε τις λαβές στεγνές, καθαρές και χωρίς την ύπαρξη λαδιού και γράσου.

3. Ειδικές οδηγίες ασφαλείας

ΜΗΝ αφήνετε την άνεση και την εξοικείωση με το προϊόν (που αποκτήθηκε από εκτεταμένη χρήση) να αντικαταστήσει την αυστηρή συμμόρφωση με τους κανόνες ασφαλείας των ηλεκτρικών εργαλείων. Αν χρησιμοποιείτε αυτό το εργαλείο με λάθος τρόπο και χωρίς ασφάλεια, μπορεί να υποστείτε κάποιο σοβαρό προσωπικό τραυματισμό.

- ❶ Να φοράτε προστατευτικά αυτιών. Η έκθεση σε θόρυβο μπορεί να προκαλέσει απώλεια ακοής.
- ❷ Να χρησιμοποιείτε το εργαλείο από τη λαβή του. Η απώλεια ελέγχου μπορεί να προκαλέσει προσωπικό τραυματισμό.
- ❸ Όταν πραγματοποιείτε εργασίες όπου το εργαλείο μπορεί να έρθει σε επαφή με

κρυφή καλωδίωση ή με το ίδιο το καλώδιο, κρατείστε το εργαλείο με μονωμένες επιφάνειες που παρέχουν τριβή. Η επαφή με ένα γυμνό καλώδιο που φέρει ρεύμα θα καταστήσει ηλεκτροφόρα τα εκτεθειμένα μεταλλικά μέρη του εργαλείου και θα προκαλέσει ηλεκτροπληξία στο χειριστή.

- 4 Να φοράτε κράνος προστασίας, γυαλιά προστασίας και / ή μάσκα προσώπου. Τα κανονικά γυαλιά ή γυαλιά ηλίου ΔΕΝ αποτελούν είδη ασφαλείας. Επίσης συνιστάται να φοράτε μάσκα σκόνης και χοντρά μονωμένα γάντια.
- 5 Βεβαιωθείτε ότι τα αξεσουάρ είναι ασφαλισμένα στη θέση τους πριν ξεκινήσετε τη λειτουργία του εργαλείου.
- 6 Υπό κανονικές συνθήκες, το εργαλείο είναι σχεδιασμένο να παράγει δονήσεις. Οι βίδες μπορούν εύκολα να χαλαρώσουν, προκαλώντας ζημιά ή ατύχημα. Να ελέγχετε προσεκτικά ότι οι βίδες είναι σφιγμένες πριν τη χρήση.
- 7 Σε κρύο καιρό ή όταν το εργαλείο δεν έχει χρησιμοποιηθεί για αρκετό καιρό, αφήστε το να ζεσταθεί για λίγο λειτουργώντας το σε συνθήκες μηδενικής πίεσης. Με αυτό τον τρόπο θα χαλαρώσει η λίπανση.
- 8 Πάντα να είστε σίγουροι ότι πατάτε γερά στα πόδια σας. Σιγουρευτείτε ότι δεν υπάρχει κάποιος από κάτω όταν χρησιμοποιείτε το εργαλείο σε υψηλές τοποθεσίες.
- 9 Κρατείστε το εργαλείο γερά και με τα δυο σας χέρια.
- 10 Κρατείστε τα χέρια σας μακριά από κινούμενα μέρη.
- 11 Μην αφήνετε το εργαλείο σε λειτουργία. Να το λειτουργείτε μόνο όταν το έχετε στα χέρια σας.
- 12 Μην σημαδεύετε το εργαλείο προς οποιονδήποτε στην περιοχή λειτουργίας. Κάποιο εξάρτημα ίσως αποκολληθεί με αποτέλεσμα να προκαλέσει σοβαρό τραυματισμό.
- 12 Μην αγγίζετε τα εξαρτήματα κοντά στα κινούμενα μέρη αμέσως μετά τη λειτουργία. Μπορεί τα μέρη του εργαλείου να είναι πολύ ζεστά και να προκαλέσουν εγκαύματα.

- 14 Κάποια υλικά περιέχουν χημικά που μπορεί να είναι τοξικά. Λάβετε μέτρα για να αποφύγετε εισπνοή σκόνης και επαφή με το δέρμα. Ακολουθείστε τις οδηγίες ασφαλείας του παρόχου των υλικών.

Πρόσθετες οδηγίες ασφαλείας ειδικά για επαναφορτιζόμενα δραπανοκατσάβιδα

- Αφαιρέστε την μπαταρία από το εργαλείο πριν εκτελέσετε ρυθμίσεις.
- Μην αποθηκεύετε την μπαταρία σε θερμοκρασίες άνω των 45°C.
- Φορτίστε πάντα την μπαταρία μεταξύ 0°C και 30°C. Η ιδανική θερμοκρασία φόρτισης είναι 18°C έως 24°C.
- Χρησιμοποιείτε μόνο τον φορτιστή και τη μπαταρία που παρέχονται, δεν υπάρχει άλλη κατάλληλη μπαταρία.
- Μη βάζετε φωτιά ή καίτε την μπαταρία, μπορεί να εκραγεί. Μην πετάτε τις μπαταρίες στη φωτιά ή με τα οικιακά απορρίμματα. Επιστρέψτε τις εξαντλημένες μπαταρίες στο τοπικό σημείο συλλογής ή ανακύκλωσης.
- Μη φορτίζετε μια μπαταρία που έχει ζημιά.
- Πάντα αφαιρέστε την μπαταρία από το φορτιστή αμέσως μόλις ολοκληρωθεί η επαναφόρτιση ή όταν δεν χρησιμοποιείται.
- Το τρυπάνι και η μπαταρία σας θα είναι ζεστά κατά την εργασία, αυτό είναι φυσιολογικό. Τα εξαρτήματα και οι μεταλλικές πλάκες μπορούν να ζεσταθούν πολύ.
- Ελέγχετε πάντα τοίχους, δάπεδα και οροφές για κρυφά καλώδια και σωλήνες.
- Αυτή η συσκευή δεν προορίζεται για χρήση από άτομα (συμπεριλαμβανομένων παιδιών) με μειωμένες σωματικές, αισθητηριακές ή διανοητικές ικανότητες ή έλλειψη εμπειρίας και γνώσης, εκτός εάν έχει δοθεί εποπτεία ή οδηγίες σχετικά με τη χρήση της συσκευής από άτομο υπεύθυνο για την ασφάλειά τους. Τα παιδιά πρέπει να επιβλέπονται για να βεβαιωθείτε ότι δεν παίζουν με τη συσκευή.
- Πριν από την εργασία σε ένα εξάρτημα, βεβαιωθείτε ότι το εξάρτημα είναι συγκρατημένο με τη βοήθεια μιας μέγγνης ή ενός σφιγκτήρα στερέωσης.
- Μη χρησιμοποιείτε υπερβολική πίεση,

αλλά επιλέξτε μια κατάλληλη ταχύτητα. Η υπερβολική πίεση δεν θα αυξήσει την αποτελεσματικότητα της διάτρησης και μπορεί να καταστρέψει τη συσκευή σας.

- Ρυθμίστε το διακόπτη κατεύθυνσης περιστροφής στην κεντρική του θέση όταν το μηχάνημα δεν χρησιμοποιείται για να αποφύγετε τυχαία λειτουργία.
- Χρησιμοποιείτε το φορτιστή μπαταρίας μόνο σε κλειστούς χώρους και μην το εκθέτετε σε βροχή ή υγρασία.
- Μη χρησιμοποιείτε φορτιστή μπαταρίας του οποίου το καλώδιο τροφοδοσίας είναι κατεστραμμένο. Πρέπει να αντικατασταθεί από τον κατασκευαστή, τον αντιπρόσωπο σέρβις ή τα πρόσωπα με τα ίδια προσόντα για να αποφευχθεί ο κίνδυνος. Σε περίπτωση που κάποια ζημιά είναι εμφανής στο περιβλήμα του φορτιστή μπαταρίας, δώστε το για εξέταση από ένα εξειδικευμένο συνεργείο επισκευής και αν χρειάζεται αντικαταστήστε το.
- Ποτέ μην φορτίζετε τις κατεστραμμένες μπαταρίες καθώς αυτές μπορεί να βραχυκυκλώσουν και να υπερθερμανθούν.
- Όταν ο φορτιστής είναι σε χρήση, ΠΡΕΠΕΙ να επιβλέπεται, εάν υπάρχουν ενδείξεις υπερθέρμανσης, τότε ΑΜΕΣΩΣ αποσυνδέστε το φορτιστή από το τροφοδοτικό.
- Αν κατά τη διάρκεια της φόρτισης εκπέμπεται αέριο ή καπνός από την μπαταρία, απενεργοποιήστε την παροχή ρεύματος και μετακινήστε την σε καλά αεριζόμενο χώρο. ΠΡΟΣΟΧΗ: Εάν υπάρχει διαρροή υγρού από την μπαταρία, φοράτε προστατευτική ενδυμασία, γυαλιά και ρούχα, καθώς αυτό μπορεί να είναι όξινο.
- Να φοράτε πάντα προστατευτικά γυαλιά και προστατευτικά αυτιών κατά την εργασία. Μια μάσκα σκόνης πρέπει να φοριέται κατά τη διάρκεια οποιασδήποτε εργασίας που δημιουργεί σκόνη.
- Μη τρυπάτε την μπαταρία με καρφιά, χτυπάτε τη μπαταρία με σφυρί, πατάτε πάνω στη μπαταρία ή με άλλο τρόπο την υποβάλλετε σε ισχυρές συγκρούσεις ή κραδασμούς.
- Μην αποσυναρμολογείτε ή τροποποιείτε την μπαταρία. Περιέχει συσκευές ασφαλείας και προστασίας, οι οποίες εάν έχουν

υποστεί ζημιά, μπορεί να προκαλέσουν δημιουργία θερμότητας, έκρηξης ή ανάφλεξης της μπαταρίας. Η μονάδα κυκλώματος προστασίας που παρέχεται στη μπαταρία δεν πρέπει να χρησιμοποιείται ως υποκατάστατο διακόπτη απενεργοποίησης.

- Μην τοποθετείτε την μπαταρία μέσα ή κοντά σε φωτιά, σε σόμπες ή σε άλλες θέρσεις υψηλής θερμοκρασίας. Μην τοποθετείτε την μπαταρία σε άμεση ηλιακή ακτινοβολία ή χρησιμοποιείτε ή αποθηκεύετε σε κλειστό χώρο κατά τη διάρκεια θερμού καιρού. Η θέρμανση της μπαταρίας μπορεί να προκαλέσει βλάβη στο κύκλωμα ασφαλείας, κάτι που μπορεί να προκαλέσει πρόσθετη θέρμανση, ρήξη ή ανάφλεξη της μπαταρίας. Η χρήση της μπαταρίας με τον τρόπο αυτό μπορεί επίσης να οδηγήσει σε απώλεια επιδόσεων και μικρότερο προσδόκιμο ζωής.
- Μην τοποθετείτε την μπαταρία σε φούρνους μικροκυμάτων, δοχεία υψηλής πίεσης ή σε επαγωγικά μαγειρικά σκεύη.
- Αν σκοπεύετε να αποθηκεύσετε μια μπαταρία για μια περίοδο χωρίς χρήση, τότε αποθηκεύστε την μπαταρία σε θερμοκρασία δωματίου (19°C έως 25°C) και φορτίστε περίπου το 30-50% της χωρητικότητας. Όταν αποθηκεύετε για πολύ μεγάλες χρονικές περιόδους, φορτίστε τη μπαταρία μία φορά το χρόνο για να αποφύγετε την εκφόρτιση.
- Μη συνεχίσετε τη φόρτιση της μπαταρίας εάν δεν επαναφορτιστεί εντός του καθορισμένου χρόνου φόρτισης. Κάτι τέτοιο μπορεί να προκαλέσει υπερθέρμανση της μπαταρίας, να εκραγεί ή να αναφλεγεί.

ΑΠΟΘΗΚΕΥΣΤΕ ΑΥΤΟ ΤΟ ΕΓΧΕΙΡΙΔΙΟ ΧΡΗΣΗΣ

ΠΡΟΣΟΧΗ:

Κατάχρηση ή μη τήρηση των οδηγιών ασφαλείας που αναγράφονται σε αυτό το εγχειρίδιο χρήσης μπορεί να προκαλέσουν σοβαρό προσωπικό τραυματισμό.

4. Περιγραφή λειτουργιών και προδιαγραφών

Προβλεπόμενη χρήση

Το επαναφορτιζόμενο δραπανοκατσάβιδο προορίζεται για διάτρηση σε ξύλο, μέταλλο ή

παρόμοια υλικά, και περιστασιακά για διάτρηση με κρούση σε τοιχοποιία ή παρόμοια υλικά.

Μπαταρία

Πριν τη χρήση

Η μπαταρία σας είναι ΑΦΟΡΤΙΣΤΗ και πρέπει να τη φορτίσετε μία φορά πριν από τη χρήση. Όταν φορτίζετε τη νέα μπαταρία ή μια μπαταρία που δεν έχει χρησιμοποιηθεί για μεγάλες χρονικές περιόδους, ενδέχεται να μην φτάσει σε πλήρη φόρτιση μέχρι να την αποφορτίσετε πλήρως και να την επαναφορτίσετε αρκετές φορές.

Φόρτιση της μπαταρίας

Τοποθετήστε το βύσμα φόρτισης **10** σε μια κατάλληλη πρίζα και τοποθετήστε το άλλο άκρο στη μπαταρία. Κανονικά χρειάζονται 3-5 ώρες για να φορτιστεί πλήρως η μπαταρία.

⚠ ΠΡΟΣΟΧΗ:

Όταν η μπαταρία εξαντλείται μετά από χρήση ή έκθεση σε άμεσο ηλιακό φως / θερμότητα, αφήστε το εργαλείο να κρυώσει πριν επαναλάβετε τη φόρτιση για να επιτευχθεί πλήρης φόρτιση.

Αφαίρεση ή εγκατάσταση της μπαταρίας

Απενεργοποιείτε πάντα το εργαλείο πριν από την εισαγωγή ή την αφαίρεση της μπαταρίας **9**. Για να αφαιρέσετε την μπαταρία, αποσύρετέ την από το εργαλείο ενώ πατάτε το κουμπί απελευθέρωσης **8**. Για να εισαγάγετε τη μπαταρία, ευθυγραμμίστε τη γλώσσα στη μπαταρία με την εγκοπή στο περίβλημα και σπρώξτε τη στη θέση της. Εισάγετε τη εντελώς μέσα μέχρι να ασφαλίσει στη θέση της με ένα μικρό κλικ. Εάν όχι, μπορεί να πέσει κατά λάθος από το εργαλείο, προκαλώντας τραυματισμό σε εσάς ή σε κάποιον γύρω σας. Μην ασκείτε δύναμη κατά την εισαγωγή της μπαταρίας. Εάν η μπαταρία δεν γλιστρήσει εύκολα, δεν εισάγεται σωστά.

Ένδειξη χωρητικότητας μπαταρίας

Τα τρία λαμπάκια **11** στο πλάι του σώματος του εργαλείου (κόκκινο, πορτοκαλί, πράσινο) υποδεικνύουν την κατάσταση φόρτισης της μπαταρίας.

- **Κόκκινο:** 0% - 20%
- **Πορτοκαλί:** 20% - 60%
- **Πράσινο:** 60% - 100%.

Εργαλείο	7251
Τάση λειτουργίας	20V DC
Ταχύτητα περιστροφής	0-500/0-1700 min ⁻¹
Τσοκ	10 mm, αυτόματο
Ροπή	35 Nm
<i>Ικανότητα διάτρησης σε</i>	
Τοιχοποιία	10 mm
Μέταλλο	10 mm
Ξύλο	25 mm
Βάρος εργαλείου	1.2 kg
<i>Φορτιστής</i>	
Τάση	100-240V-50/60Hz 0.5A
Απόδοση	21.0V DC 12W
Χρόνος φόρτισης	3-5 h
Βάρος φορτιστή	96.5 g
<i>Μπαταρία</i>	
Τάση / χωρητικότητα	20V / 1300 mAh
Τύπος μπαταρίας	Li-Ion
Βάρος μπαταρίας	305 g

Ενεργοποίηση και απενεργοποίηση του εργαλείου

Για να ενεργοποιησετε το εργαλείο, πιέστε τον διακόπτη ON / OFF **1** (fig 1). Για να απενεργοποιήσετε το εργαλείο, αφήστε το διακόπτη ON / OFF **1**. Ο διακόπτης ON / OFF είναι εφοδιασμένος με μια λειτουργία πέδησης η οποία σταματά αμέσως το τσοκ σας όταν απελευθερώσετε γρήγορα το διακόπτη. Ο έλεγχος ταχύτητας σας επιτρέπει να επιλέξετε την κατάλληλη ταχύτητα για μια συγκεκριμένη εργασία. Όσο περισσότερο πιέζετε το διακόπτη, τόσο πιο γρήγορα θα λειτουργεί το εργαλείο.

⚠ ΠΡΟΣΟΧΗ:

Μην λειτουργείτε για μεγάλες χρονικές περιόδους σε χαμηλή ταχύτητα, επειδή θα παραχθεί υπερβολική εσωτερική θερμοκρασία.

Χρήση του φωτός LED εργασίας

Το φως εργασίας LED (fig 2) σας επιτρέπει να έχετε καλύτερη οπτική σε συνθήκες χαμηλού φωτισμού.

- Πιέζοντας το διακόπτη ON / OFF **1** θα ενεργοποιήσει το φως LED εργασίας.

- Αφήνοντας το διακόπτη ON / OFF **1** θα απενεργοποιηθεί το φως LED εργασίας.

Αριστερή / δεξιά κατεύθυνση κίνησης

Η κατεύθυνση περιστροφής του τσοκ **6** μπορεί να αλλάξει χρησιμοποιώντας τον διακόπτη δεξιά / αριστερά **2** (fig 1).

- Για να αλλάξετε τη φορά περιστροφής, σταματήστε το εργαλείο και γυρίστε τον διακόπτη δεξιά / αριστερά **2** στην επιθυμητή θέση (fig 1).
- Η κεντρική θέση του διακόπτη δεξιά / αριστερά **2** κλειδώνει τον διακόπτη ON / OFF **1**.
- Πριν αρχίσετε να εργαζέστε, βεβαιωθείτε ότι ο διακόπτης δεξιά / αριστερά **2** βρίσκεται στην επιθυμητή θέση, για να αποφύγετε πιθανή ζημιά στο εργαλείο ή στο μηχανήμα.
- Για διάτρηση και βίδωμα, χρησιμοποιήστε δεξιά περιστροφή. Χρησιμοποιήστε αριστερή περιστροφή μόνο για να ξεβιδώσετε ή να απελευθερώσετε ένα τρυπάνι που έχει μπλοκαριστεί.

⚠ ΠΡΟΣΟΧΗ:

Μην αλλάζετε ποτέ την κατεύθυνση περιστροφής όταν περιστρέφεται το τσοκ. Περιμένετε μέχρι να σταματήσει.

Επιλογή περιστροφής 2 ταχυτήτων

Αυτό το εργαλείο διαθέτει σύστημα ελέγχου περιστροφής δύο ταχυτήτων που έχει σχεδιαστεί για τη διάτρηση ή το βίδωμα σε χαμηλές ταχύτητες (ένδειξη 1) ή υψηλές ταχύτητες (ένδειξη 2). Ένας διακόπτης επιλογής **3** βρίσκεται στην πάνω πλευρά του εργαλείου (fig 2) για να επιλέξετε είτε χαμηλή είτε υψηλή ταχύτητα.

- Όταν χρησιμοποιείτε το εργαλείο στην επιλογή χαμηλής ταχύτητας, η ταχύτητα θα μειωθεί και το εργαλείο θα έχει μεγαλύτερη ισχύ και ροπή.
- Όταν χρησιμοποιείτε το τρυπάνι στην επιλογή υψηλής ταχύτητας, η ταχύτητα θα αυξηθεί και το εργαλείο θα έχει λιγότερη ισχύ και ροπή.

⚠ ΠΡΟΣΟΧΗ:

Για να αποφύγετε τη ζημιά στα γρανάζια, επιτρέψτε πάντα στο τσοκ να σταματήσει τελείως πριν αλλάξετε την περιστροφή ταχύτητας.

Τοποθέτηση / αφαίρεση του εξαρτήματος

Αυτό το μηχανήμα είναι εφοδιασμένο με ένα τσοκ χωρίς κλειδί **6** για μεγαλύτερη ευκολία, δεν χρειάζεται κλειδί τσοκ για να ασφαλίσει ένα εξάρτημα. Για να τοποθετήσετε / αφαιρέσετε ένα τρυπάνι ή άλλα εξαρτήματα, περιστρέψτε το τμήμα του τσοκ για να ανοίξουν οι σιαγόνες έτσι ώστε να εισάγετε το επιθυμητό εξάρτημα. Τοποθετήστε το τρυπάνι ή άλλο εξάρτημα στο τσοκ και σφίξτε καλά περιστρέφοντας το μπροστινό τμήμα του τσοκ δεξιόστροφα (εικ 3).

⚠ ΠΡΟΣΟΧΗ:

Αφαιρέστε την μπαταρία και θέστε το διακόπτη αριστερής / δεξιάς κατεύθυνσης στην κλειδωμένη κεντρική θέση κατά την εγκατάσταση ή την αφαίρεση των κομματιών για να αποφύγετε την τυχαία εκκίνηση.

Ρυθμίσεις ροπής

Η ροπή ρυθμίζεται με περιστροφή του δακτυλίου ρύθμισης ροπής **4** (fig 2). Η ροπή είναι μεγαλύτερη όταν ο δακτύλιος ρύθμισης ροπής είναι ρυθμισμένος σε υψηλότερη επιλογή. Η ροπή είναι μικρότερη όταν ο δακτύλιος ρύθμισης ροπής είναι ρυθμισμένος σε χαμηλότερη επιλογή.

Προχωρήστε με τη ρύθμιση ως ακολούθως:

- 1: Χαμηλή ρύθμιση, π.χ. μικρές βίδες, μαλακά υλικά.
- 18: Υψηλή ρύθμιση, π.χ. μεγάλες βίδες, σκληρά υλικά.

Ρυθμίσεις διάτρησης/βιδώματος

Η διάτρηση ή το βίδωμα ρυθμίζονται με περιστροφή του δακτυλίου ρύθμισης διάτρησης/βιδώματος **5** (fig 2).

- Αν θέλετε να ενεργοποιήσετε τη λειτουργία διάτρησης **χωρίς κρούση** (για μέταλλο, ξύλο ή πλαστικό), στρέψτε το δακτύλιο επιλογής διάτρησης / βιδώματος **5** στη θέση διάτρησης **I**.
- Αν θέλετε να ενεργοποιήσετε τη λειτουργία διάτρησης **με κρούση** (για μέταλλο, ξύλο ή πλαστικό), στρέψτε το δακτύλιο επιλογής διάτρησης / βιδώματος **5** στη θέση διάτρησης **T**.
- Αν θέλετε να **βιδώσετε**, στρέψτε το δακτύλιο επιλογής διάτρησης / βιδώματος **5** στη θέση διάτρησης **I**.

Διάτρηση

Κατά τη διάτρηση σκληρών και λείων επιφανειών, χρησιμοποιήστε μια μυτερή ακίδα για να σημειώσετε την επιθυμητή θέση τρύπας. Αυτό θα εμποδίσει το τρυπάνι να απομακρυνθεί από το κέντρο καθώς ξεκινά η τρύπα. Κρατήστε το εργαλείο σταθερά και τοποθετήστε την άκρη του τρυπανιού στο σημείο που πρόκειται να τρυπηθεί. Πατήστε το διακόπτη ON / OFF για να ενεργοποιηθεί το εργαλείο. Μετακινήστε το τρυπάνι στο αντικείμενο εργασίας, εφαρμόζοντας μόνο αρκετή πίεση για να διατηρήσετε τη διάτρηση του τρυπανιού. Μην πιέζετε ή ασκείτε πλευρική πίεση για να επιμηκύνετε μια τρύπα.

⚠ ΠΡΟΣΟΧΗ:

Κατά τη διάτρηση σε μέταλλο, χρησιμοποιείτε μόνο τρυπάνια HSS σε καλή κατάσταση. Χρησιμοποιείτε πάντα ένα μαγνητικό αντίπτορα όταν δουλεύετε με μύτες βιδώματος. Κατά το βιδώμα, εφαρμόστε στα σπειρώματα μια μικρή ποσότητα υγρού σαπουνιού ή παρόμοια για να διευκολύνετε την εισαγωγή.

5. Συντήρηση

Ο σωστός και τακτικός καθαρισμός θα βελτιώσει την ασφάλεια και θα επεκτείνει τη διάρκεια ζωής του εργαλείου.

Για ασφαλή και σωστή εργασία, πάντα να κρατάτε καθαρές τις υποδοχές εξαερισμού και το ίδιο το εργαλείο σε καλή κατάσταση.

Το εργαλείο μπορεί να καθαριστεί αποτελεσματικά με ξηρό συμπιεσμένο αέρα ή με ένα μαλακό πανί βρεγμένο με σαπουνόνερο.

Πάντα να φοράτε προστατευτικά ματιών όταν καθαρίζετε τα εργαλεία με συμπιεσμένο αέρα.

Ορισμένα καθαριστικά μέσα και διαλύτες μπορεί να προκαλέσουν βλάβη σε πλαστικά μέρη. Κάποια από αυτά είναι: βενζίνη, τετραχλωράνθρακας, χλωριωμένοι διαλύτες καθαρισμού, αμμωνία και οικιακά απορρυπαντικά που περιέχουν αμμωνία.

Οι ψύκτρες (καρβονάκια) και ο διακόπτης στο εργαλείο σας έχουν σχεδιαστεί για πολλές ώρες αξιόπιστης λειτουργίας. Για να διατηρηθεί η μέγιστη απόδοση του κινητήρα, συνιστούμε κάθε δύο έως έξι μήνες να εξετάζονται οι ψύκτρες.

Αποθηκεύστε το εργαλείο, το χειρίδιο χρήσης και όπου είναι απαραίτητο τα αξεσουάρ στη

γνήσια συσκευασία. Με αυτό τον τρόπο θα έχετε πάντα όλη την πληροφορία και τα διάφορα μέρη στη διάθεσή σας.

⚠ ΠΡΟΣΟΧΗ:

Απενεργοποιήστε το εργαλείο, αποσυνδέστε την από το ρεύμα και περιμένετε μέχρι να κρυώσει πριν από τον καθαρισμό ή τη συντήρηση για να αποφύγετε ηλεκτροπληξία ή εγκαύματα.



Να φοράτε προστατευτικά αυτιών



Να φοράτε προστατευτικά ματιών



Να φοράτε μάσκα για τη σκόνη



Λειτουργία κρούσης



Λειτουργία διάτρησης χωρίς κρούση



Λειτουργία βιδώματος

6. Εγγύηση

Αυτό το εργαλείο έχει ελεγχθεί από τον κατασκευαστή. Από την ημερομηνία αγοράς από τον τελικό καταναλωτή, η εγγύηση δύο ετών για **ερασιτεχνική χρήση** καλύπτει κάθε ελαττωματικό υλικό και κατασκευή. Η απόδειξη ή το τιμολόγιο αγοράς πρέπει να επιδεικνύεται σε περίπτωση επισκευής που καλύπτεται από την εγγύηση. Για πιθανές βλάβες κατά τη διάρκεια της περιόδου εγγύησης, θα πρέπει να απευθυνθείτε στο κατάστημα λιανικής πώλησης από το οποίο πραγματοποιήθηκε η αγορά.

Όροι εγγύησης

Η εγγύηση ισχύει μόνο όταν:

- Το εργαλείο έχει χρησιμοποιηθεί σωστά και για τον σκοπό για τον οποίο αγοράστηκε.
- Το εργαλείο παρουσιάζει ένα πρόβλημα που οφείλεται σε ελαττωματικό υλικό και κατασκευή.

- Το εργαλείο αδυναμεί να εκτελέσει εργασίες σύμφωνα με τις τεχνικές προδιαγραφές που παρέχονται.

Δεν καλύπτονται από την εγγύηση ζημιές που οφείλονται σε αιτίες όπως:

- Φθορά λόγω ακατάλληλης χρήσης.
- Μερική ή ολική αποσυναρμολόγηση. Η αποσυναρμολόγηση πρέπει να γίνεται μόνο από προσωπικό εξουσιοδοτημένο από τον επίσημο διανομέα.
- Ζημιές λόγω υπερφόρτωσης.
- Χρήση εσφαλμένου ή ασύμβατου εξαρτήματος.
- Κακή συντήρηση από τον χειριστή ή οποιοδήποτε άλλο τρίτο μέρος.
- Φθορά που προκλήθηκε από εξωτερικούς παράγοντες ή ξένα σωματίδια (σκόνη, μπάζα κ.λπ.)
- Φθορά λόγω μη συμμόρφωσης με τις οδηγίες αυτού του εγχειριδίου.

Εάν, κατά τη διάρκεια της περιόδου εγγύησης, υπάρχει ζημιά που δεν μπορεί να επισκευαστεί από το εξουσιοδοτημένο τμήμα σέρβις, το εργαλείο θα αντικατασταθεί χωρίς πρόσθετο κόστος.

7. Επισκευή / Σέρβις

Σε περίπτωση ανάγκης για επισκευή μετά τη λήξη της περιόδου εγγύησης, θα δώσουμε την καλύτερη δυνατή προσοχή για την επιτυχή επιδιόρθωση του εργαλείου.

8. Περιβάλλον



Μην απορρίπτετε τις ηλεκτρικές μηχανές ως αστικά απόβλητα χωρίς διαλογή, χρησιμοποιήστε χωριστές εγκαταστάσεις συλλογής.

Επικοινωνήστε με τα συστήματα συλλογής τοπικής κυβέρνησης που είναι διαθέσιμα. Εάν τα ηλεκτρικά μηχανήματα απορρίπτονται σε χώρους υγειονομικής ταφής ή χυματερές, επικίνδυνες ουσίες μπορεί να διαρρεύσουν στα υπόγεια ύδατα και να εισέλθουν στην τροφική αλυσίδα, βλάπτοντας την υγεία και την ευημερία.

Κατά την αντικατάσταση των παλαιών

μηχανημάτων με καινούργια, ο έμπορος λιανικής θα χαρεί να πάρει πίσω το παλιό σας μηχάνημα για απόρριψη.

9. Δήλωση Συμμόρφωσης

Εξουσιοδοτημένος Αντιπρόσωπος

ΠΑΠΑΔΕΑΣ Α.Ε.

Ηρώων 1912 4-6, 13671, Αχαρναί, Ελλάδα

Δια της παρούσης δηλώνεται ότι:

Το **Επαναφορτιζόμενο Κρουστικό**

Δραπανοκατσάβιδο με **ΚΩΔΙΚΟ: 7251** και διακριτικό τίτλο: **NEP-001T/HJ10072100500G**

υπό την επωνυμία **KRAUSMANN** (Περιγραφή: Επαναφορτιζόμενο Κρουστικό Δραπανοκατσάβιδο, 20V, με αντλιοσθητική χειρολαβή, 2 μηχανικές ταχύτητες 0-500/0-1700rpm, μέγ. ροπή 35Nm, δεξιά/αριστερά, με γρήγορη διακοπή, τσοκ 10mm χωρίς κλειδί, 1 τεμ. μπαταρία Li-ion 1.3Ah, φορτιστής 3-5 ωρών, πρίζα VDE, με 6 τεμ. τρυπάνια, 6 τεμ. μύτες, 1 τεμ. ανάπτορας, σε έγχρωμο κουτί), είναι σχεδιασμένο σύμφωνα με τις διατάξεις των Οδηγιών 2006/42/EC, 2014/35/EEC και σύμφωνα με τα ακόλουθα πρότυπα: EN62841-1:2015, EN62841-2-1:2018, AfPS GS 2014:01 PAK, EN60335-2-29:2004+A2:2010+A11:2018, EN60335-1:2012+A11:2014+A13:2017+A1:2019+A2:2019 +A14:2019, EN62233:2008, AfPS GS 2014:01 PAK.

Έτος απόκτησης "CE" πιστοποίησης: εργαλείο 2019, φορτιστής 2020

Ημερομηνία: 10 Σεπτεμβρίου 2019



* Τα αξεσουάρ και τα περιεχόμενα ενδέχεται να αλλάξουν από το εργοστάσιο παραγωγής χωρίς προειδοποίηση, σε αυτή την περίπτωση η εταιρεία δεν φέρει καμία ευθύνη.

KRAUSMANN
POWER TOOLS

RELIABLE PERFORMANCE

7251

www.krausmann.gr

