

Rohinson®

SUPREMA

Instructions Manual

Professional-Grade Espresso Machine R-98300



Read this manual thoroughly before using and save it for future reference.

IMPORTANT SAFETY INSTRUCTIONS

1. Check the voltage of the socket corresponding to the rating label of the coffee machine before using.
2. This machine must be connected to an earthed socket.
3. Keep children away during use.
4. To prevent fire or electric shock, do not immerse the power cord or plug in water or any other liquid. Do not damage, excessively bend, or stretch the power cord, and do not place heavy objects on it.
5. Before cleaning or when not in use, unplug the machine and allow it to cool before cleaning the parts.
6. Do not use the machine in high-temperature, high-magnetic, or humid environments. Do not place the coffee machine on hot surfaces, near flames, or on other appliances such as refrigerators.
7. Do not use the machine if the power cord or plug is damaged, if the machine malfunctions, or if it is damaged in any way. Return it to the nearest authorized service center for inspection and repair or contact the dealer.
8. Use only original parts.
9. This machine is for brewing coffee only. Do not use it for other purposes and keep it in a dry environment.
10. Place the coffee machine on a flat surface or table and ensure the power cord does not hang over the edge of the table or counter.
11. Make sure the power cord does not touch the hot surface appliance.
12. Do not touch hot parts of the machine directly during operation.
13. Regularly clean and maintain the coffee machine to ensure coffee quality and extend the machine's service life.
14. Do not move or turn off the power while the machine is in operation.
15. Do not operate the machine without water in the water tank.
16. For safety, read the manual carefully and use the machine correctly.
17. Do not immerse the coffee machine or power cord in water or any other liquid for cleaning.
18. Do not use the machine outdoors.
19. Before first use, run the machine with clean water twice to remove any odors.
20. The machine is intended for household and similar applications such as:
 - staff kitchens in shops, offices and other professional environments
 - farms
 - use by guests in hotels, motels and other residential environments
 - bed and breakfast type environments
21. For detailed instructions on how to do cleaning, please refer to the following section of the manual.
22. Keep this manual for future reference.

HOUSEHOLD USE ONLY

Technical Specifications

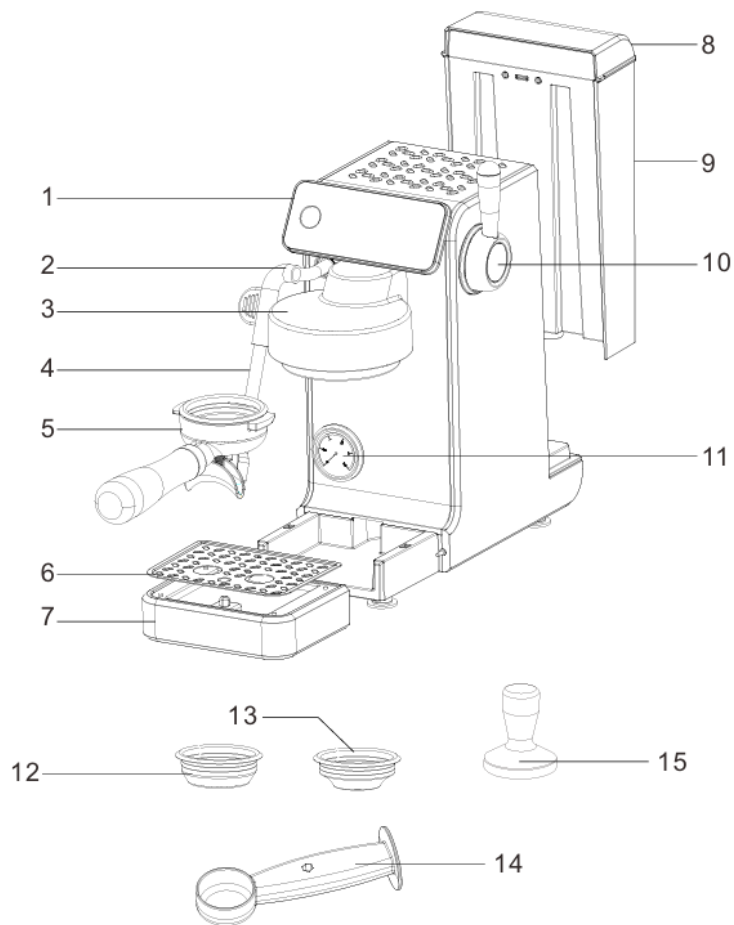
Voltage: VAC 220-240V

Frequency: 50/60Hz

Power: 2700W

Water tank capacity: 1.2L

PRODUCT DESCRIPTION



1. IMD control panel

2. Steam tube silicone sheath

3. Brewing head

4. Steam tube

5. Filter holder

6. Cup mat

7. Drip tray

8. Water tank cover

9. Water tank

10. Steam knob lever

11. Pressure meter

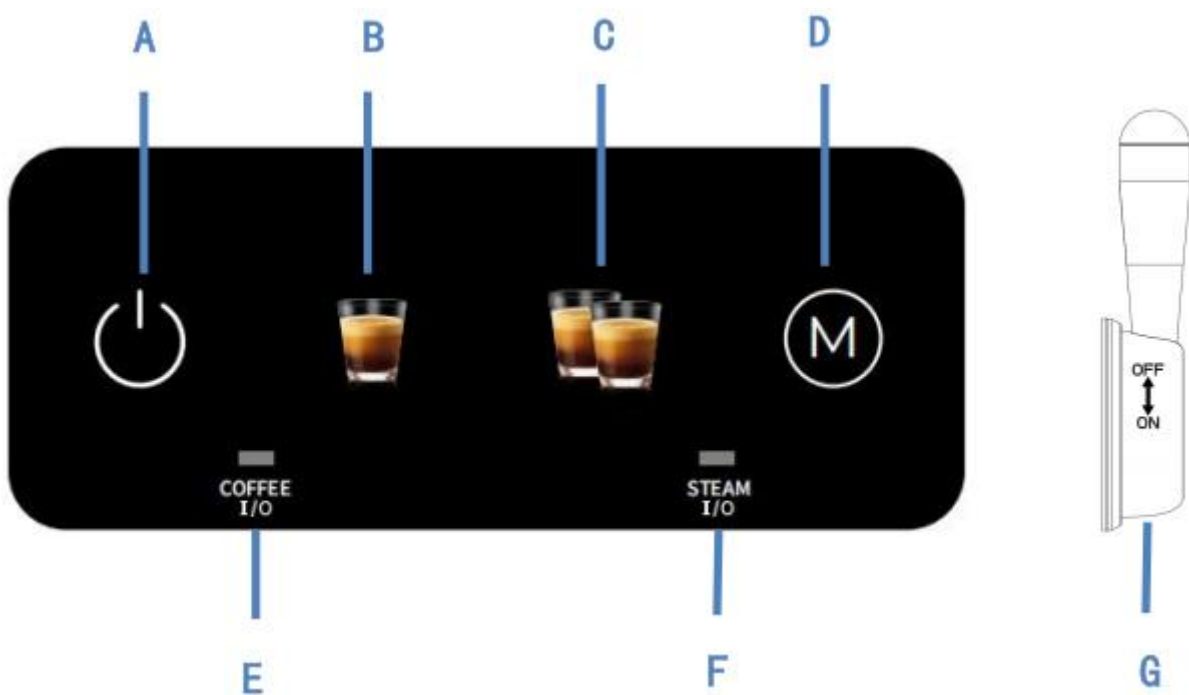
12. Two cup filter

13. One cup filter

14. Spoon with tamper

15. Powder hammer - Tamper

IMD control panel description



- A. On/off button
- B. Single-cup button
- C. Double-cups button
- D. Manual control button
- E. Preheat indicator (for coffee)
- F. Preheat indicator (for steam)
- G. Steam knob lever

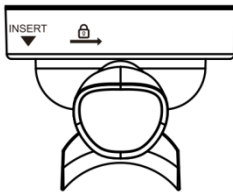
OPERATION SECTION

Preparation Before Using (First Use)

1. Place the coffee machine on a level and heat-resistant surface.
2. Fill the water tank directly with room-temperature drinking water up to the "MAX" mark. Or remove the water tank from the machine to fill water and insert back the tank into the machine.

Notice: When removing and inserting the water tank, keep it vertically in the up and down directions. Gently press down the water tank when inserting to ensure the water tank is closely connected to the water valve seat.

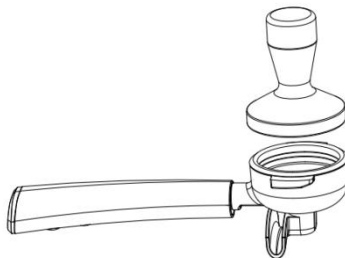
3. Place a cup under the water outlet.
4. Turn the steam knob lever to OFF position.
5. Take the filter holder out of the packaging, insert the filter, and screw it into the machine's corresponding position. Align the filter holder handle with the "🔒" mark.



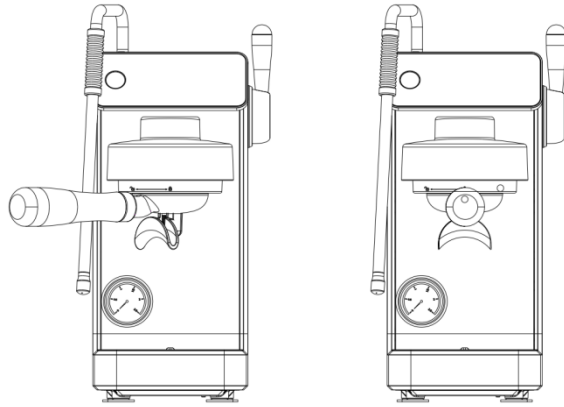
6. Connect to the power supply, the on/off button indicator will light on. Press the on/off button, The single-cup/double-cups/M button indicators will light on. The preheat indicator (for coffee and steam) will flash, indicating the machine is under preheating. Once preheating is completed, the preheat indicator (for coffee and steam) will be steady on.
7. Press the manual control button, and the corresponding indicator will light on. The pump will start working, allowing hot water to flow out to clean the coffee filter or cup, press the manual control button again to stop working. (The maximum working time is 60 seconds).

Making Espresso

1. While the machine is under preheating, you can put the ground coffee powder (not too coarse or too thin) into the "metal filter" and then flatten with tamper. At the same time, wipe the residue ground coffee powder on the edge of the filter with a brush or hand.



2. Insert the filter and lock it according to the direction of the brewing head, then place the coffee cup under the filter holder.



3. When the preheat indicator (for coffee) is steady on, press the single-cup/double-cups button according to your preference. The corresponding function button indicator will be steady on, and the other function button indicators will turn off. The pump will start working, and coffee will begin to flow out.
4. At the same time, adjust the position of the coffee cup and let the coffee flow into the cup along the cup wall.
5. After the brewing volume is reached, it will automatically stop. Wait for a while till coffee stops dripping. The coffee is ready, and the machine will return to standby mode. (If there is no operation under standby mode, the machine will automatically turn off after 25 minutes).

Notice: Due to the wide variety of coffee beans and their different degrees of roasting, the liquid pressure of ground coffee powder with the same degree of grinding when making coffee will also have difference. Therefore, it is recommended that users observe the value on the pressure gauge during the brewing, and then adjust the fineness, amount of the ground coffee powder, and the pressure when tamping the coffee to make the brewing pressure between 9 and 12 Bar. Under this status, the taste will be better, and the flavor will be more intense.

Steam Frothing Function

1. Plug in the power and press the on/off button. The preheat indicator (for steam) will flash, indicating the machine is preheating. Once preheating is complete, the preheat indicator (for steam) will be steady on.
2. Pour the iced whole milk into 1/3 of the milk jug, insert the steam nozzle into 1CM of the milk surface, and then pull the steam knob lever down to "ON" position. The water pump starts to work, and the steam starts to spray out. (The maximum time for milk frothing is 2 minutes).



Note: Release a little moisture in the steam tube before frothing.

3. When the milk temperature reaches about 75 degrees and the milk bubbles start to expand, you can push the steam knob lever upward to "OFF, the steam stops spraying, and then move the cup aside. It will automatically return to standby mode. (If there is no operation under standby mode, the machine will automatically turn off after 25 minutes).
4. Pull the steam knob lever down again to ON, make the steam come out to clean the milk stains inside the steam tube and the steam nozzle to prevent the steam nozzle from being blocked. You can push the steam knob lever upward to OFF, and the steam stops spraying. The device automatically returns to standby mode. (If there is no operation under standby mode, the machine will automatically turn off after 25 minutes).

Notice: If you want to continue to froth milk, repeat the above steps.

Manual control – Manual Mode / Memory Mode

Manual Mode:

1. Use the manual control button to make coffee: When the preheat indicator (for coffee) is steady on, press the manual control button. The corresponding function button indicator will be steady on, the other function button lights will turn off, the water pump works, and coffee begins to come out. After a while, the coffee flows out from the bottom of the filter. At the same time, adjust the position of the coffee cup and let the coffee flow into the cup along the cup wall.
2. When the desired amount of coffee is reached, press the manual control button again. The machine will automatically return to standby mode. (If there is no operation under standby mode, the machine will automatically turn off after 25 minutes).
3. Now the coffee is completed. (The manual control function has a maximum working time of 60 seconds).

Memory Mode:

1. Setting the coffee volume: When the preheat indicator (for coffee) is steady on, press and hold the manual control button. The machine will start brewing. After the desired amount reaches, release the buttons. The machine the water pump stops working, indicating the customized volume has been memorized. The next time when pressing the manual control button, the machine will brew the same amount of coffee. (The setting brewing time range is 10-60 seconds.)
2. Restore factory settings: Press and hold the single-cup button + "manual control button" buttons simultaneously for 3 seconds. The single-cup button + "manual control button" indicators will flash with beep for 5 times before automatically shutting off. The factory settings have been restored. Press the on/off button to turn the machine on again, and you can operate and set the coffee machine according to your preferences.

Notice: The manual control button function defaults to manual mode. When the user enters memory mode by pressing and holding the button, it will remain in memory mode. The user can choose between manual mode and memory mode by restoring the factory settings.

Daily Cleaning and Maintenance

Cleaning the water tank

1. Hold the sides of the water tank and lift it up to remove it.
2. The water tank and filter assembly should be cleaned once a week. Use mild detergent for cleaning, rinse and dry thoroughly.

Notice: The water tank and filter holder assembly should not be placed in the dishwasher.

Cleaning the housing of machine

1. Turn off the power and allow the coffee machine to cool down completely before cleaning.
2. Wipe the exterior and some parts of the coffee machine with a damp cloth or cleaning sponge.

Notice: Do not use alcohol or solvent cleaners, and do not immerse the coffee machine in water for cleaning.

Troubleshooting

Symptom	Cause	Solution
No water/steam output	<ol style="list-style-type: none">1. Is there water in the water tank/Is the water tank stuck in place correctly?2. Water not filled in advance in the machine.3. The machine has not finished preheating.	<ol style="list-style-type: none">1. Add water to the water tank and turn on the on/off button.2. Press the single or double cup button to pump water into the machine until water flows from the steam nozzle or filter holder.3. You could only run the brewing function after finishing preheating. (indicators change from flashing to steady on)
No grease	Ground coffee powder is too coarse, or it has not been flattened.	Replace coffee powder and flatten the ground coffee powder with tamper.
No steam output	<ol style="list-style-type: none">1. Steam outlet hole blocked.2. The steam button hasn't been turned on or preheating is not completed.	<ol style="list-style-type: none">1. Use small wire to unblock the steam outlet hole.2. After the milk frothing is done, you should run again the steam function to clean the steam tube.3. Turn on the steam button and wait until the preheating is completed before making steam.



IMPORTANT INFORMATION FOR CORRECT DISPOSAL OF THE PRODUCT IN ACCORDANCE WITH EC DIRECTIVE 2012/19/EU.

At the end of its working life, the product must not be disposed of as urban waste. It must be taken to a special local authority differentiated waste collection center or to a dealer providing this service. Disposing of a household appliance separately avoids possible negative consequences for the environment and health, deriving from inappropriate disposal and enables the constituent materials to be recovered to obtain significant savings in energy and resources. As a reminder of the need to dispose of household appliances separately, the product is marked with a crossed-out wheeled dustbin.