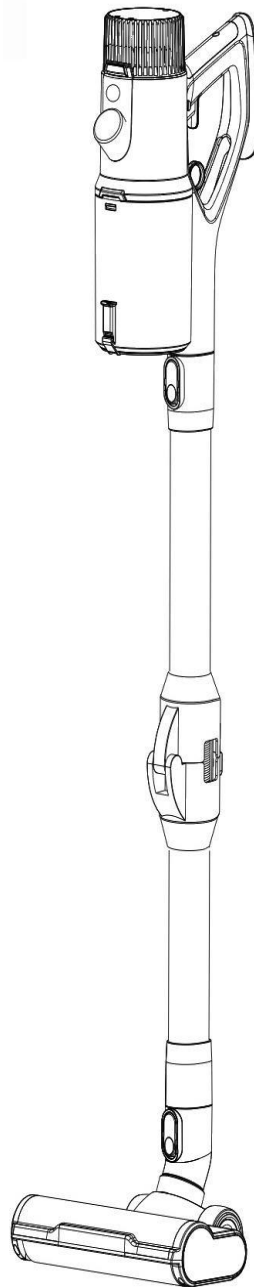




MORRIS

CORDLESS VACUUM CLEANER



Model: SVC6101HH

*PLEASE READ THIS MANUAL CAREFULLY BEFORE USING THE APPLIANCE
AND KEEP IT PROPERLY FOR FUTURE USE*

WARNINGS AND PRECAUTIONS

Please read all safety instructions below and follow all general safety measures before use; any non-compliant operation may cause damage to the product.

This appliance can be used by children aged from 8 years and above and persons with reduced physical, sensory or mental capabilities or lack of experience and knowledge if they have been given supervision or instruction concerning use of the appliance in a safe way and understand the hazards involved. Children shall not play with the appliance. Cleaning and user maintenance shall not be made by children without supervision.

- Do not use the appliance to pick up any high temperature goods (matches, cigarette ends, hot ashes or anything hot), micro dust (lime, cement, bits of wood, sand, plaster, ashes, carbon dust), large sharp stuff (broken glass, nails, pins), dangerous goods, (disinfectant, solvents), chemical substances (acidic, detergent), flammable liquids (gasoline, alcohol).

Please keep the air outlet of the appliance away from hair, loose clothing, fingers or other parts.

Do not use the suction tube, tube extension handle or other part pointing at the eyes, ears or put in your mouth. If large pieces of paper, paper balls, plastic sheets or sharp objects are found, and anything that is thicker than a straw, please remove them in advance - as in any other case the suction tube might be blocked affecting the use of the product.

- If electric leakage, or high temperature of motor, or abnormal sound are noticed (for instance, high temperature of body part, abnormal sound and smell, weak suction etc), please stop using at once.
- Please check the dust cup regularly. If the dust cup is full, please empty it in time, and keep the air outlet unblocked to avoid loss of suction power. Motor heating may lead to the reduction of the vacuum cleaner's service life.
Please check the aluminium alloy tube remains unblocked regularly; if there is a blockage, please clean it up in time to avoid the reduction of suction and avoid affecting the performance of the appliance.
- When cleaning the appliance, do not use lubricants, cleaners or polishes to clean any part.
Please call our customer service department for help if the appliance breaks down.
Do not try to repair it by yourself.

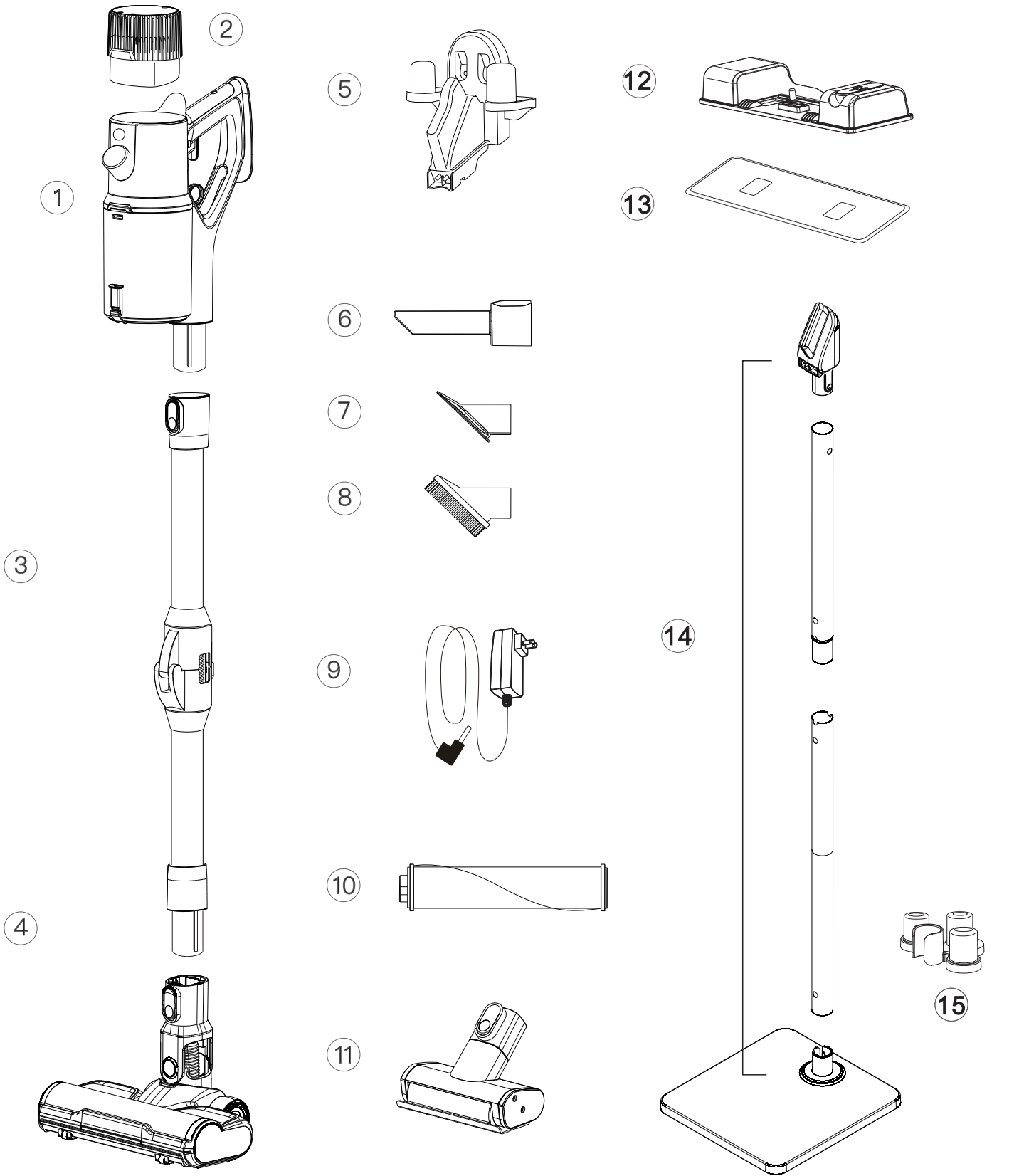
The plug must be removed from the socket-outlet before cleaning or maintaining the appliance.

The appliance is only to be used with the accompanying power supply unit .

- The battery must be removed from the appliance before it is scrapped;
- The appliance must be disconnected from the supply mains when removing the battery;
- The battery is to be disposed off safely.

Take out the battery pack by holding the vacuum cleaner handle with the one hand, press the battery pack release button with the other hand and pull out the battery pack.

CONTENT OF THE BOX



1. handheld unit
 2. battery pack
 3. flexible tube
 4. motorised floor-brush

5. wall mounted
 6. long crevice
 7. sofa brush
 8. hair brush

9. adaptor
 10. carpet roller
 11. mini brush
 12. mopping water-tank

13. mop
 14. stand
 15. accessory holder

CHARGING METHODS OF THE MACHINE

Note: Make sure to turn off the vacuum cleaner before charging it!

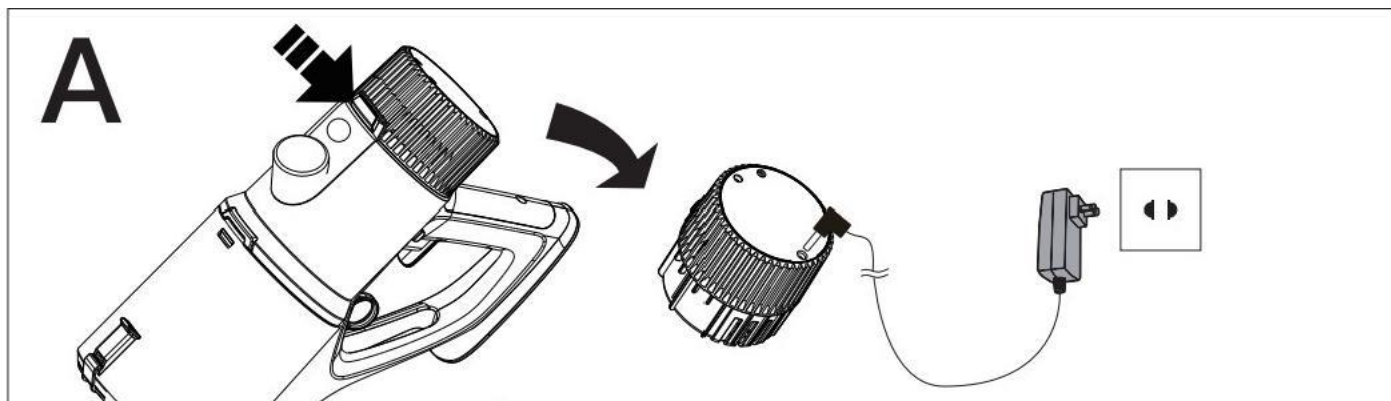
The display will automatically recognize when the machine is charging!

After fully charged, the machine will automatically stop charging to protect the battery, so the charger can be connected to the power for a long time without damaging the battery.

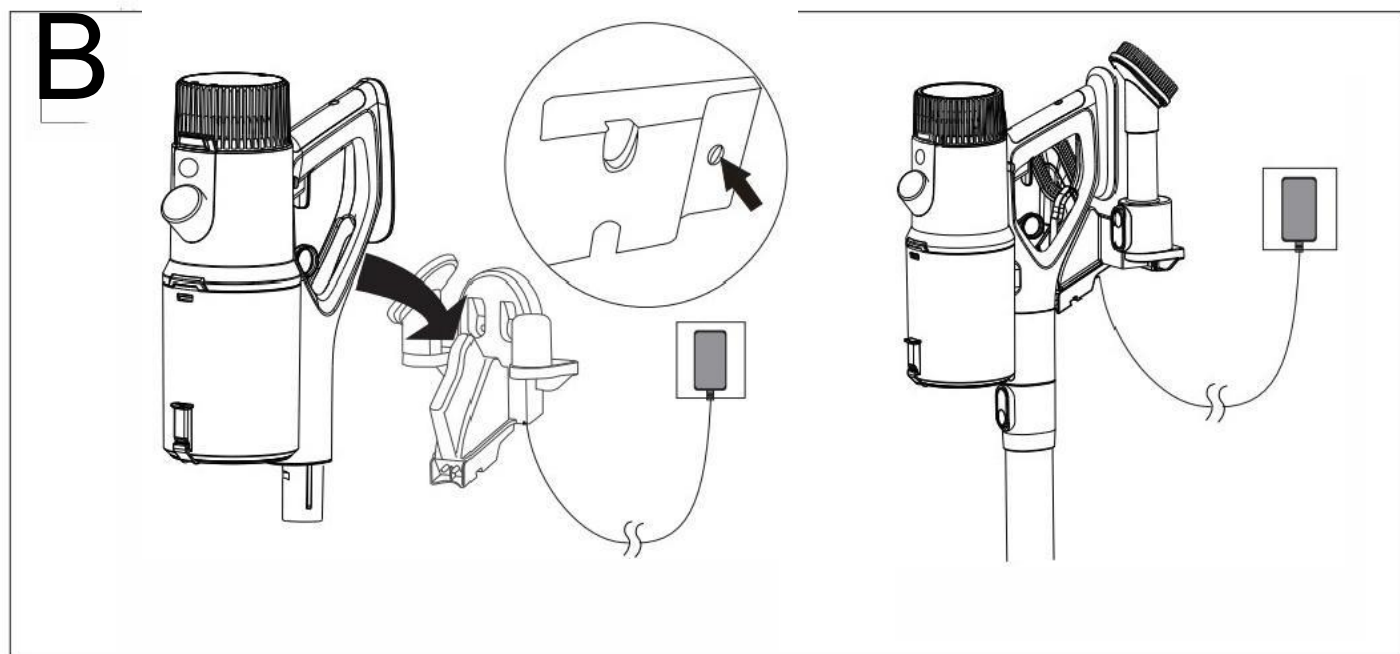


As shown in figure A, the battery can be removed and charged directly.

As shown in figure B, it can be charged while being either wall or floor mounted.

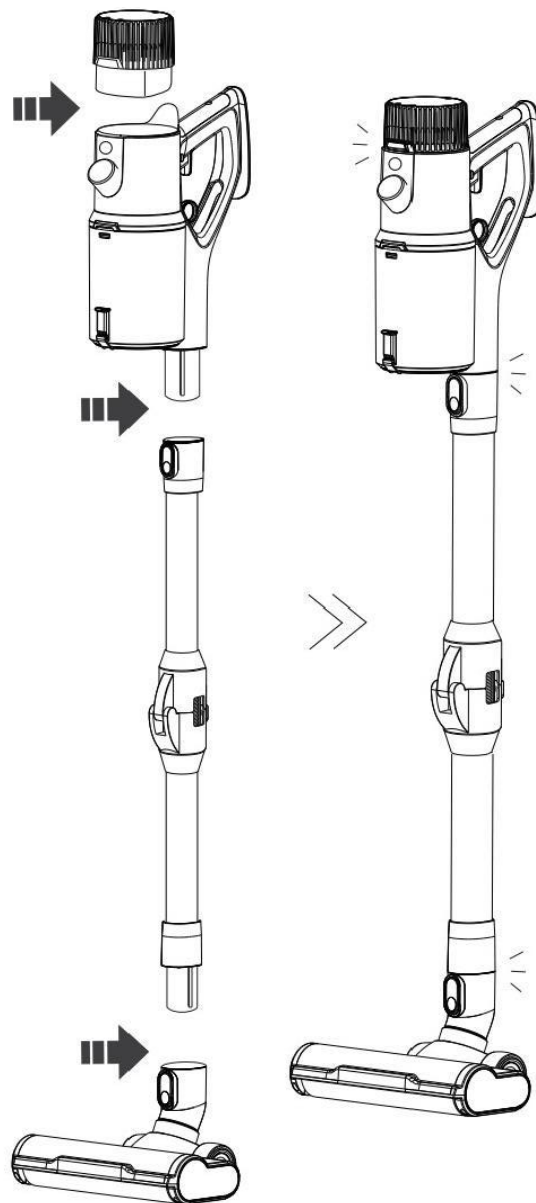


OR

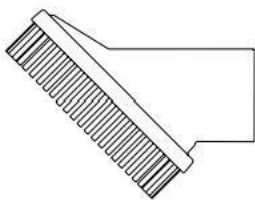


USAGE OF VACUUM CLEANER

How to assemble the vacuum cleaner

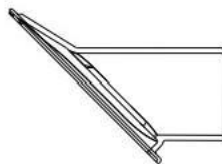


How to choose the right accessory



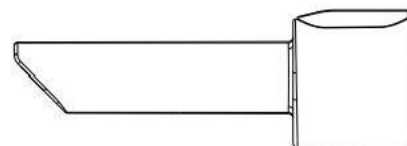
Dusting brush

Scope:
curtains / cold air outlet
etc.



Furniture nozzle

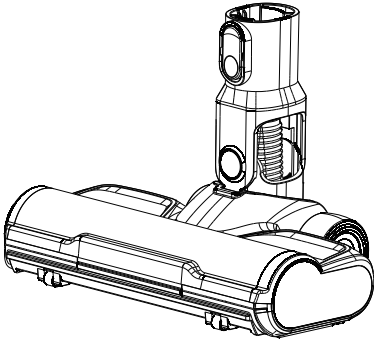
Scope: bed / sofa /
bolster (sofa pillows) etc.



Crevice tool

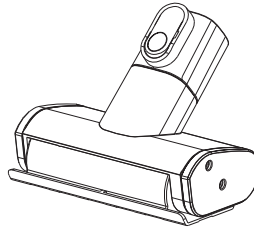
Scope:
crevice / door frames /
window frames

USAGE OF VACUUM CLEANER



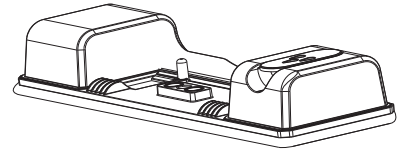
Motorized brush

with rollers for hard floor and carpet cleaning



Motorized mini brush

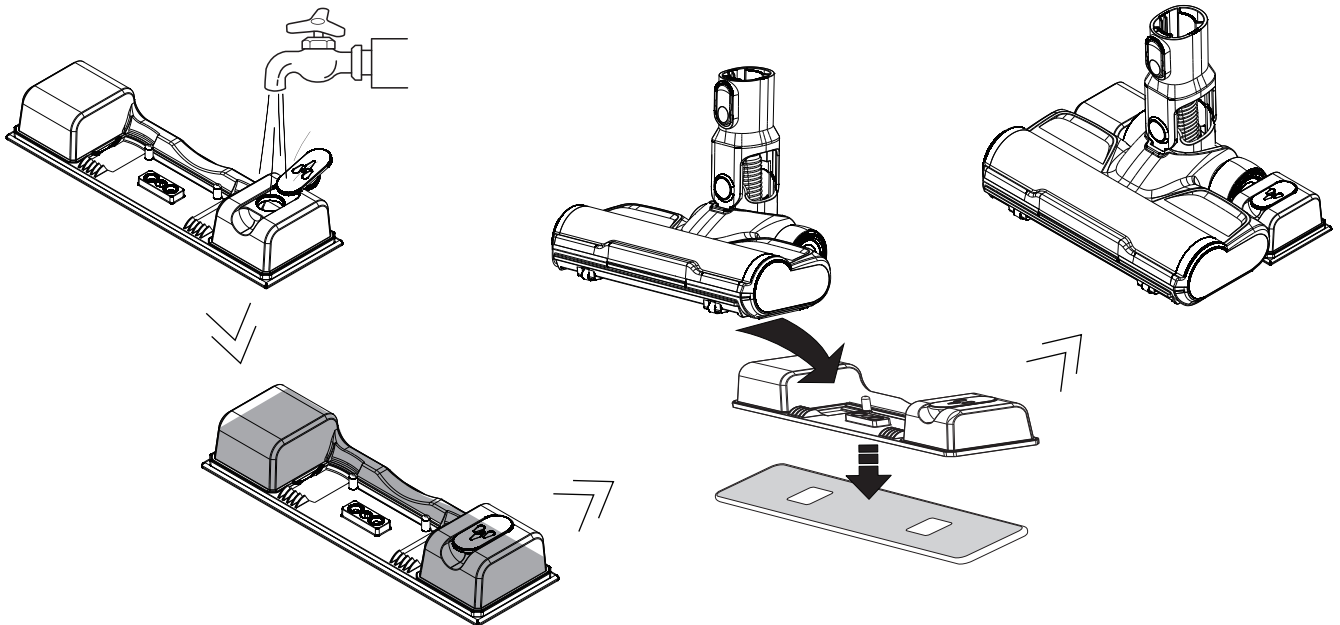
for furniture as well as pet fur cleaning



Mopping accessory

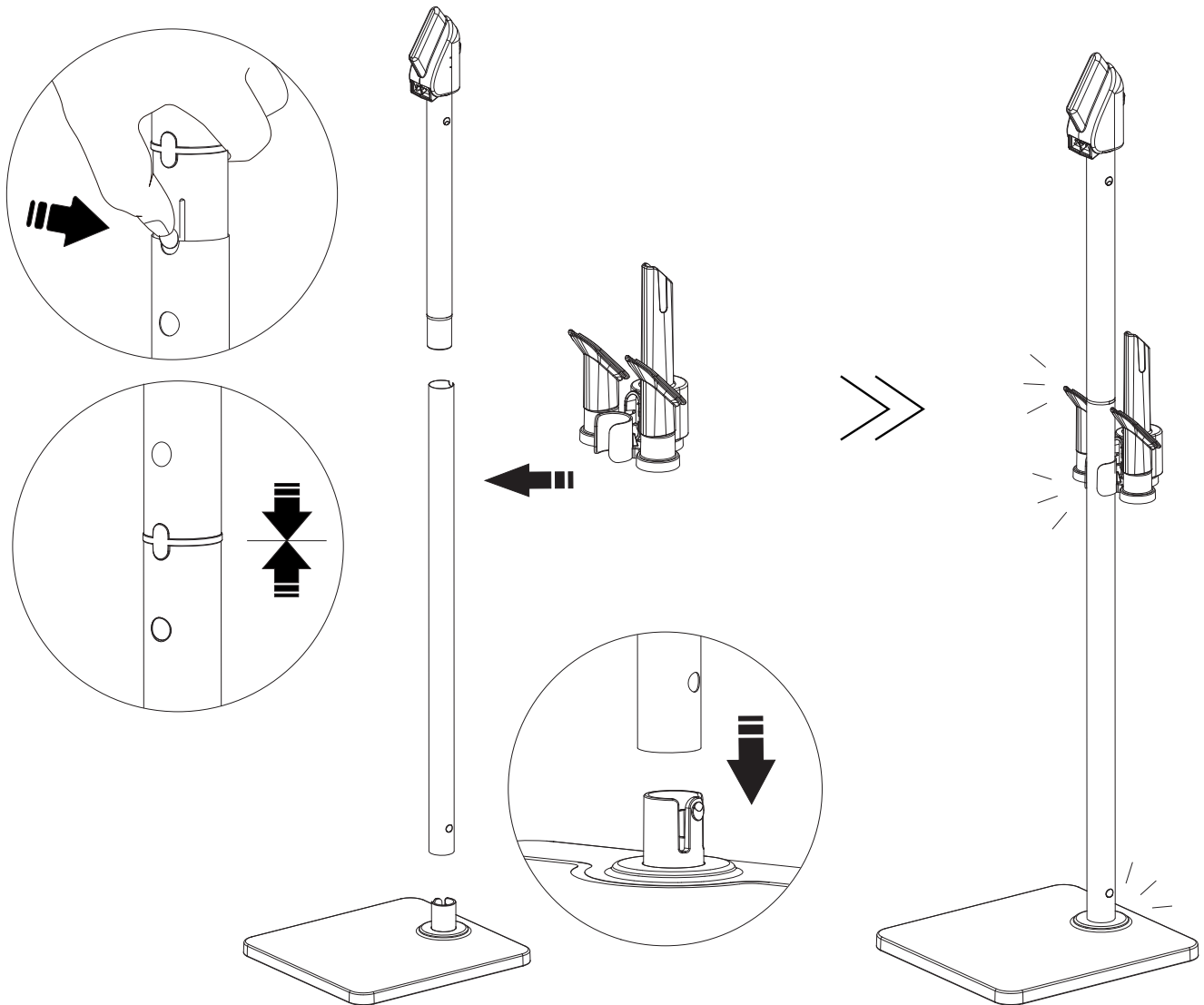
for hard floors, tiles etc.

■ How to use the mopping accessory

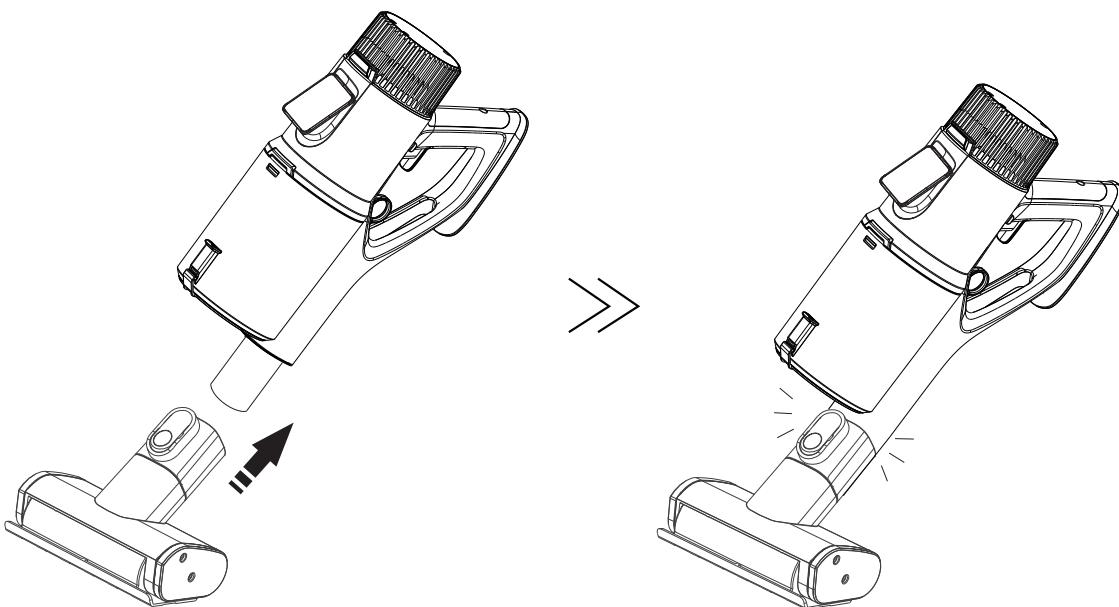


USAGE OF VACUUM CLEANER

How to assemble the floor standing kit



How to mount the motorized mini brush



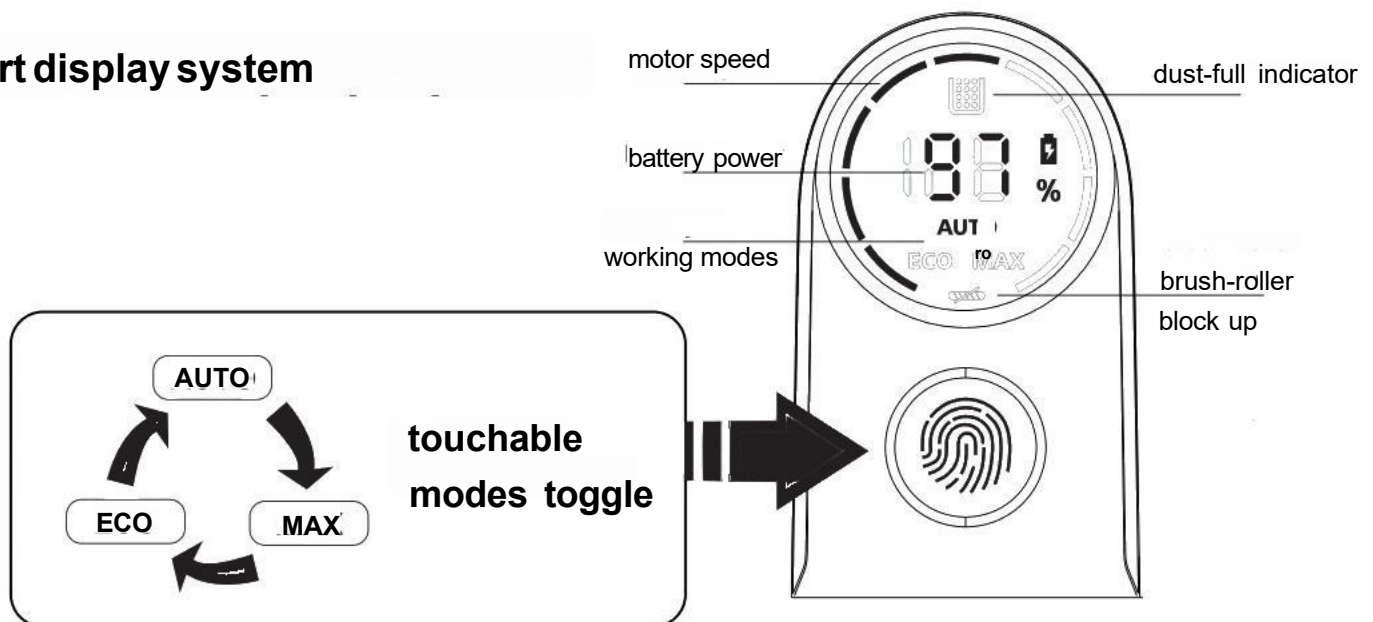
USAGE OF VACUUM CLEANER

Vacuum floor operation

- ① Step on the floor brush and pull backwards the vacuum cleaner to start cleaning work.
- ② Turn on the switch and press the lateral button to fix the switch if you prefer continuous operation.



Smart display system



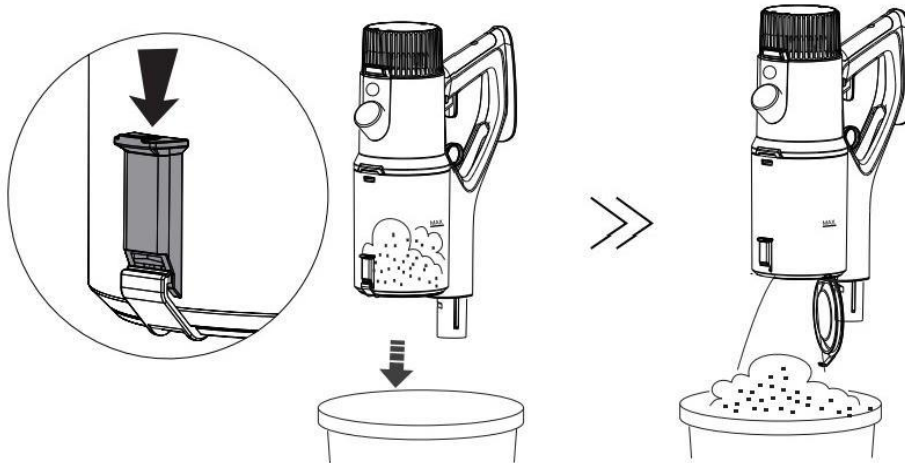
HOW TO CLEAN THE DUST CUP

Clean the dust-cup

Stop operating the vacuum before cleaning.

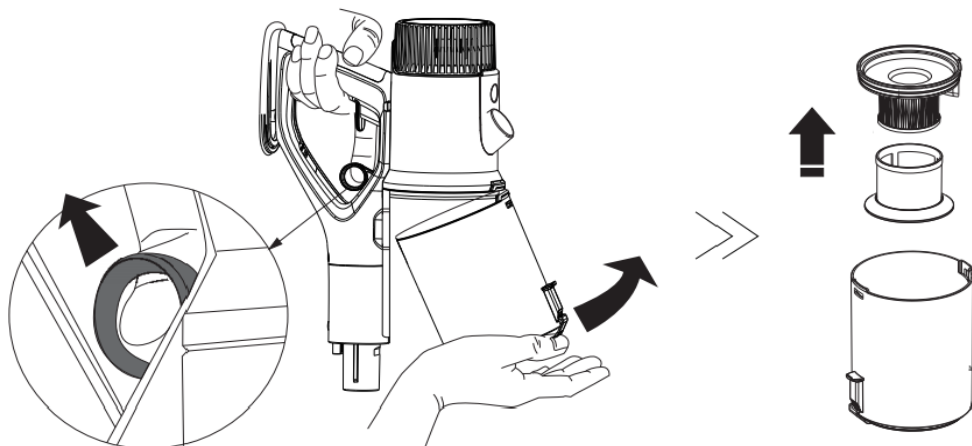
Push the release button, then empty the dust.

The vacuum cleaner can only be used again after the dust cup is closed.



Clean the filter system

1. Stop operating the vacuum before cleaning.
2. Scrub with water or neutral detergent. The cleaning cloth must be wrung before scrubbing. Do not penetrate water into the interior of the vacuum cleaner electrical component.
3. After cleaning, do not leave the vacuum cleaner exposed to the sun or in a damp place.
4. Pull the release ring and remove the dust cup. Contrarotate, remove the filters, then clean them.



The filter cannot be washed by washing machine.
The filter cannot be dried / blown by hair dryer.

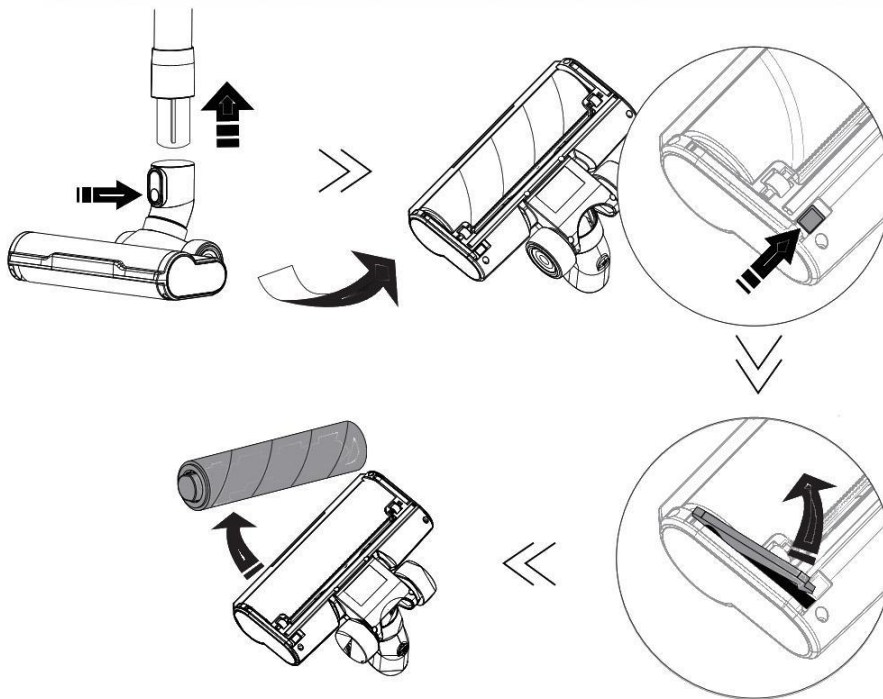


Attention! Do not use a brush while cleaning the filter element.
Take caution to avoid damaging the filter element.
Make sure the filter is dry before attaching it in the vacuum cleaner.

HOW TO CLEAN THE BRUSH

Floor-brush dismantling

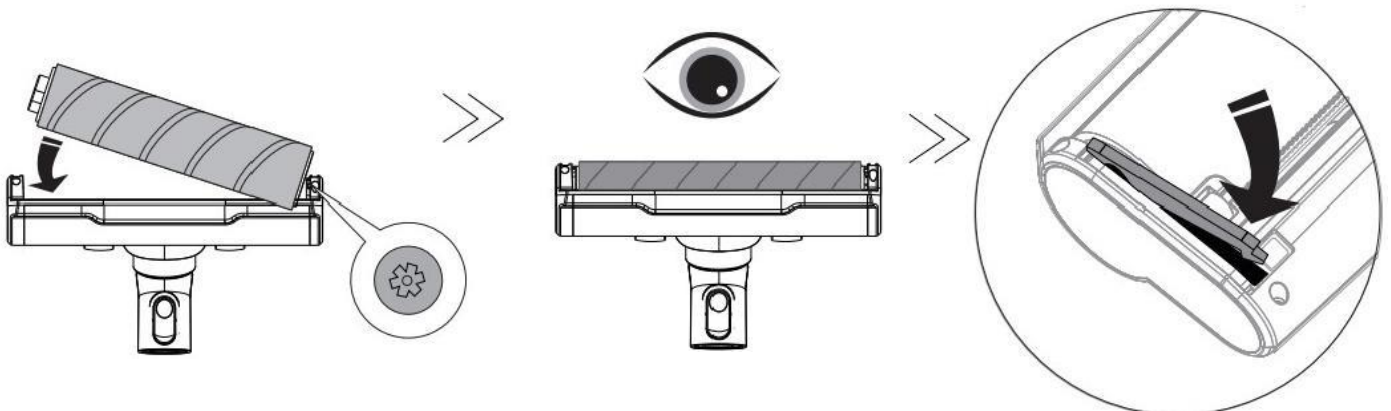
1. Make sure the power switch is turned off
2. Follow the instructions of the brush dismantling
3. Remove the transparent cover of the brush from the brush top, then take out the roller to clean.



Put back the roller floor-brush



Attention! The roller brush is installed into the floor brush, the installation must be accurate, otherwise the roller brush cannot rotate freely!



TROUBLESHOOTING

Treatment of common problems:

Attention! If you find that the vacuum cleaner is not working properly, turn off the power of the vacuum cleaner before performing the inspection.

Trouble phenomenon	Cause	Treatment method
The product does not work	Battery has no power Battery aging Motor abnormal	Charge the battery Buy a new battery and replace it. Return the product to the retailer or aftersales for repair
Vacuum cleaner cannot suck or has low suction power	Filter blocked Dust cup is full of dust Dust cup is not installed correctly Roller brush blocked Filter used too long	Wash the filter (can be cleaned with water). Dry before use, to prevent breeding bacteria Clean the dust cup Install the dust cup correctly Clean the roller brush Buy new filter and replace every six months
Roller brush stopped working during vacuuming	Roller brush blocked	Clean the roller brush
Battery cannot be charged	Poor contact of the shrapnel on the charging base	Do not bump or move the charging stand before the charging indicator is keeping light Toggle shrapnel by hand
The charging indicator does not light up	The circuit inside the charging base is damaged Charging dock power is not plugged into the socket	Return the product to the retailer or after sales for repair Check the adaptor power cord if it is plugged into the socket
Odor from the air outlet of the vacuum cleaner	Filter is not cleaned	Clean the filter
Vacuum cleaner has a plastic smell	New product	The plastic smell will fade after using vacuum for a few times

Environmental protection first

1. Before discarding the machine, make sure it is not reusable.
2. This machine has a variety of recyclable parts, please send it to a waste recycling center as per local legislation.

NOTICE ABOUT RECYCLING



Your product is designed and manufactured with high quality materials and components which can be recycled and reused.

This symbol means that electrical and electronic equipment, at their end-of-life, should be disposed of separately from your household waste. Please dispose of this equipment at your local community waste collection/ recycling centre. In the European Union there are separate collection systems for used electrical and electronic products.

Please help us to conserve the environment we live in!

DECLARATION OF CONFORMITY

Herewith, we state that this product, complies with the requirements of below directives: EMC-Directive: 14 / 30 / EU

Low Voltage Directive: 14 / 35 / EU

ErP Directive 09 / 125 / EC

CE Marking: 93 / 68 / EEC

RoHS Directive: 11 / 65 / EU & 15 / 863 / EU

The detailed declaration of conformity can be found at

www.morris.gr



KALLIOPI KARYDA & CO., LP

87A, 17th Noemvriou str, P.C. 55535

Pylea Thessaloniki – Greece

T: +302316006600 | F: +302316006650