



FDB 200301-E

Multi Function Tool

INSTRUCTION MANUAL

Thank you for your purchase of the multi function tool. For your personal safety, read and understand the Instruction Manual before using. Keep the Instruction Manual in a safe place for future reference.

CONTENTS

1. GENERAL SAFETY INSTRUCTIONS	4
2. SYMBOLS	9
3. GENERALDESCRIPTION	10
4. ACCESSORIES	10
5. ASSEMBLING AND OPERATING	11
6. MAINENANCE	20
7. TECHNICAL SPECIFICATIONS	21
8. DISPOSAL	22

1. GENERAL SAFETY INSTRUCTIONS

⚠ WARNING! Carefully read the instruction manual before use.

Important safety warnings

- ✿ Unpack the product carefully and be sure not to throw away any part of the package before having found all components of the product.
- ✿ Keep the product in a dry place out of reach of children.
- ✿ Read all cautions and instructions. The failure to adhere to warning cautions and instructions may result in an accident, fire and/or a serious injury.

Packaging

The product is placed in a package preventing damage during transport. This package is a raw material therefore it can be handed-over for recycling.

Instructions for use

Before beginning to work with the machine, read the following safety rules and instructions for use. Familiarize with operating elements and the proper use of the device. Keep the manual in a safe place for future reference. We recommend keeping the original package including the inner packaging materials, cash voucher and guarantee card for a period of warranty at minimum. For a case of transportation, pack the machine into the original box from the manufacturer, thus ensuring a maximum protection of the product during a possible transport (e.g. moving or sending into a service station)..



Note: If you hand the machine over to next persons, hand it over together with the manual. Adherence to the attached instructions for use is a precondition for the proper use of the machine. The operation manual includes also instructions for operation, maintenance and repairs.

The manufacturer does not take any responsibility for accidents or damages resulting from the failure to adhere to this manual.

Carefully read, remember and keep these safety instructions

⚠ WARNING! In the use of electric machines and power tools, it is necessary to respect and follow the following safety instructions for the reasons of protection against electric shock, personal injury and danger of fire. The term “power tool” in the instructions below refers both to mains-operated (corded) power tool or battery-operated (cordless) power tool. Save all warnings and instructions for future reference.

Workplace

- ✿ Keep the work area clean and well lit. Cluttered or dark areas in the workplace invite accidents. Store power tools that you don't currently use.
- ✿ Do not operate power tools in environments with danger of occurrence of a fire or explosion, such as in the presence of flammable liquids, gases, or dust. Power tools create sparks which may ignite the dust or fumes.
- ✿ Keep unauthorised persons, especially children, away from the work area while operating a power tool! Distractions can cause you to lose control over the performed activity. In no event leave your power tool unattended. Keep the equipment away from animals.

Electrical Safety

- ✿ Power tool plugs must match the mains socket outlet. Never modify the plug in any way. Do not use any adapter plugs with earthed (grounded) power tools. Undamaged plugs and matching outlets will reduce risk of electric shock. Damaged or fouled supply cables increase the risk of electric shock. If the power cord is damaged, it must be replaced by a new power cord which is available at the authorised service centre or the importer.
- ✿ Avoid body contact with earthed or grounded surfaces such as pipes, radiators, cooking ranges and refrigerators. There is an increased risk of electric shock if your body is earthed or grounded.
- ✿ Do not expose power tools to rain or wet conditions. Never touch the power tool with wet hands. Never wash the power tool under running water or immerse it in water.
- ✿ Never use the supply cable for other than intended purposes. Never use the cord for carrying or pulling the power tool. Never unplug the plug from the outlet by pulling the cable. Keep electric cables away from sharp or hot objects to prevent mechanical damage.
- ✿ The power tool was designed to be powered solely by alternating electric current. Always check if the electric voltage matches the information specified in the type label of the power tool.
- ✿ Never use power tool with damaged electric cable or plug or which has been dropped or is in any way damaged.

- ✿ If an extension cord is used, always check whether its technical parameters match the information specified in the type label of the power tool. When operating a power tool outdoors, use an extension cord suitable for outdoor use. If extension drums are used, these must be rolled out to prevent overheating of the cord.
- ✿ If a power tool is operated in a damp location or outdoors, its operation is only permitted if connected to an electric circuit protected by a residual current device <30 mA. Use of residual current device (RCD) reduces the risk of electric shock.
- ✿ Hold the power tool by insulated gripping surfaces only as the cutting or drilling tool may contact hidden wiring or its own power cord during operation.

Personal Safety

- ✿ Be careful, stay alert and watch what you are doing when operating a power tool. Concentrate on your work. Do not use a power tool while you are tired or under the influence of drugs, alcohol or medication. A moment of inattention while operating power tools may result in serious personal injury. Do not eat, drink and smoke while operating a power tool.
- ✿ Use personal protective equipment. Always wear eye protection. Use protective equipment corresponding to the type of work you are doing. Protective equipment such as dust mask, non-skid safety shoes, hard hat, or hearing protection used in accordance with the working conditions will reduce the risk of personal injury.
- ✿ Prevent unintentional starting. Do not carry the power tool while it is energised or with your finger on the switch or trigger. Ensure the switch or trigger is in the "off" position before connecting to power source. Carrying power tools with your finger on the switch or energising power tools that have the switch on may result in serious injuries.
- ✿ Remove any adjusting key or wrench before turning the power tool on. An adjusting wrench or a key left attached to a rotating part of the power tool may result in personal injury.
- ✿ Keep proper footing and balance at all times. Do not overreach. Never overestimate your own capabilities. Never use power tools while you are tired.
- ✿ Dress properly. Wear work clothes. Do not wear loose clothing or jewellery. Keep your hair, clothing, gloves and other part of your body away from moving or hot parts of the power tool.
- ✿ Connect the equipment to dust exhaustion. If the tools are provided for the connection of dust collection or exhaustion devices, ensure these are properly connected and used. Use of such devices can reduce dust-related hazards.
- ✿ Fix the work-piece tightly. Use a cabinet clamp or a cramp to fix the work-piece you are about to machine.
- ✿ Never use power tools if you are under the influence of alcohol, drugs, medication or other narcotic or addictive substances.
- ✿ This equipment is not intended for use by persons (including children) with limited physical, sensual or mental capacities or lack of experience or knowledge unless they are supervised or instructed about the use of the equipment by a person responsible for their safety. Children must be supervised to make sure they are not playing with the equipment.



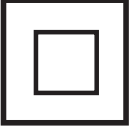





Power Tool Use and Maintenance

- ✿ Always disconnect the power tool from the mains in case of any problem during the work, before cleaning the power tool or its maintenance, during each transportation and after the completion of the work! Never operate a power tool if it is damaged in any way.
- ✿ Immediately stop working if the power tool generates abnormal noise or smell.
- ✿ Do not overload the power tool. The power tool will operate better and safer if it is used at the rate for which it was designed. Use correct power tool which is intended for the given activity. The correct power tool will do the job it was designed for better and safer.
- ✿ Do not use the power tool if it cannot be safely turned on and off using the control switch. Use of such power tool is dangerous. Defective switches must be repaired by a certified service provider.
- ✿ Disconnect the tool from the power source before making any adjustments, changing accessories or maintenance. Such preventive safety measure prevents the risk of starting the power tool accidentally.
- ✿ Store idle power tools out of the reach of children and unauthorised persons. Power tools can be dangerous in the hands of untrained users. Store the power tools in a dry and safe place.
- ✿ Keep the power tool in good condition. Check the adjustment of moving parts and their mobility. Check for any damage to the protective guards or other parts which could affect safe operation of the power tool. If damaged, have the power tool properly repaired before further use. Many accidents are caused by poorly maintained power tools.
- ✿ Keep cutting tools sharp and clean. Properly maintained cutting tools with sharp cutting edges facilitate work, reduce the risk of injury and are easier to control. Use of accessories other than those specified in the instructions for use could result in damage to the power tool and cause injuries.
- ✿ Use the power tool, accessories and tool bits etc. in accordance with these instructions and in the manner intended for the particular type of power tool taking into account the working conditions and the work to be performed. Use of the power tool for purposes other than those the power tool was intended for could result in hazardous situations.

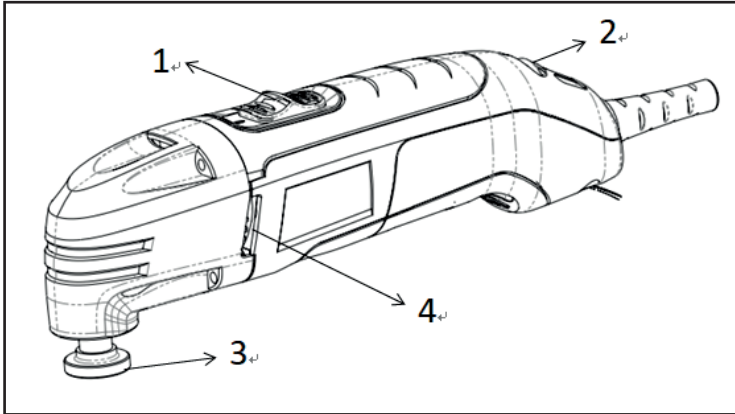
Service

- * Do not replace parts of the power tool, do not make any repairs or interfere in any way with the construction of the power tool. Have your power tool repaired by qualified repair persons.
- * Any repair or modification of the product without our company's authorisation is impermissible (it could cause injury or damage to the user).
- * Always have your power tool repaired in a certified service centre. Use only original or recommended replacement parts. This will ensure that your safety and the safety of your power tool is maintained.

2. SYMBOLS

	The product complies with the applicable standards and regulations.
	Read the Instruction Manual attentively prior to use.
	Double-insulated.
	Use eyes protective equipment
	Use ears protective equipment
	Wear a breathing mask.
	Subjected to recycling
	

3. GENERAL DESCRIPTION



1. ON/OFF Switch
2. Speed Control Wheel
3. Accessory Holder
4. Air Vents

4. ACCESSORIES

AVAILABLE ACCESSORIES

⚠ WARNING: Use only accessories that are recommended for this multi-tool. Follow the instructions that accompany the accessories. The use of improper accessories may result in injury to the operator or damage to the tool.

Before using any accessory carefully read the instructions or the owner's manual for the accessory.

- ✿ Saw Blades
- ✿ Scraper Blades
- ✿ Sandpaper

⚠ WARNING: If any part is missing or damaged, do not plug the tool into the power source or install any accessory until the missing or damaged part is replaced.

DELIVERED ITEMS

✿ Multi-tool	1	PCS
✿ Scrapers	1	PCS
✿ Cut blade	1	PCS
✿ Sand Paper Holder	1	PCS
✿ Sandpapers	3	PCS
✿ Hex Key	1	PCS

5. ASSEMBLING AND OPERATING

5.1 INSTALLING ACCESSORIES

All accessories are installed on the multi-tool in a similar manner. For the purposes of describing the accessory installation, the half circle blade is used.

⚠ DANGER! Always remove the plug from the power source before installing or removing accessories or sandpaper. Failing to remove the plug from the power source may result in the tool accidentally being started and causing serious injury to the operator.

1. Remove the screw (1) and washer (2) from the accessory holder (3) by turning the screw counter clockwise. Use the 5mm Hex key (4) if the screw is too tight to be removed by hand (Fig. 1)

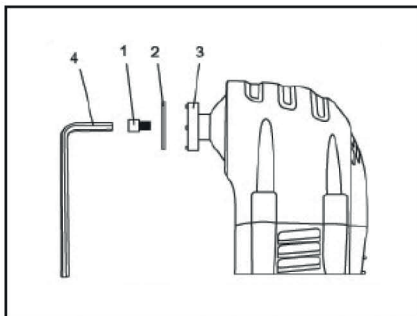


Fig. 1

- Place the blade (5) on the accessory holder (Fig. 2)

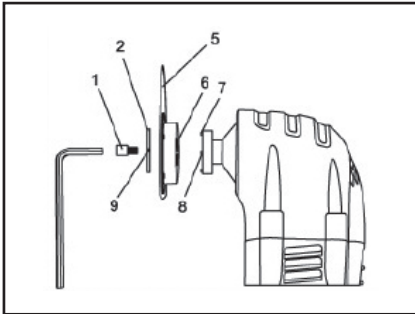




Fig. 2

NOTES:

- ✿ Make sure the alignment holes (6) in the blade fit over the alignment pins (7) in the accessory holder and the printed side of the blade is facing the tool.
 - ✿ The blade can be mounted at various angles left or right of center if required.
- Thread the screw (1) through the washer (2) and the blade into the accessory holder threaded hole (8)
 - Turn the screw clockwise until it is finger tight.

 **NOTES:** Check to make sure the convex curve or the washer (9) is facing the head of the screw. Make sure the alignment holes in the blade are still mated with the alignment pins in the accessory holder.

- Firmly tighten the screw with the 5mm hex key.

 **NOTE:** Check to make sure the holes in the blade are still mated with the alignment pins of the accessory holder after the screw is fully tightened.

5.2 INSTALLING SANDPAPER

1. Install the hook & loop sanding pad (1) onto the tool (Fig. 3)
2. Firmly press the sandpaper (2) onto the hook & loop pad.

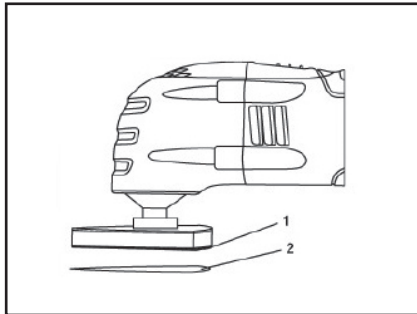


Fig. 3

NOTE:

- ✿ Place the sandpaper so the holes in the sandpaper line up with the matching holes in the hook & loop pad
 - ✿ Press the sandpaper firmly onto the hook & loop pad.
3. To remove the sandpaper, simply peel the sandpaper way from the hook & loop pad (Fig.4).

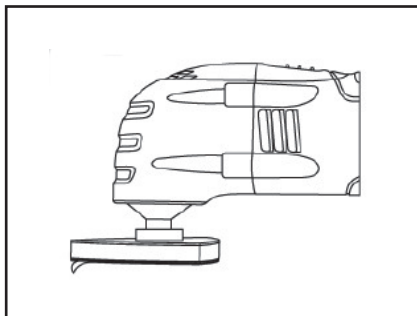


Fig. 4

5.3 ON/OFF SWITCH

- ✿ To turn the tool ON, slide the ON/OFF switch (1) toward the front of the tool (Fig. 5).
- ✿ To turn the tool OFF, slide the ON/OFF switch toward the rear of the tool.

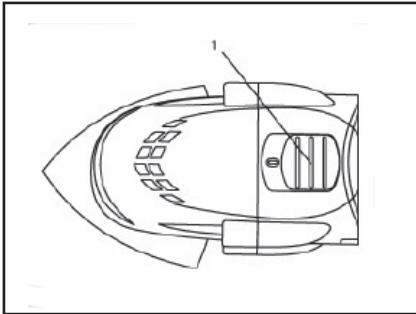


Fig. 5

5.4 SPEED CONTROL WHEEL

The speed of the tool can be adjusted to run the tool at speeds varying between 10000 – 18000 RPM by rotating the speed control wheel (1) located towards the rear of the tool housing (Fig. 6)

- ✿ To increase the speed, rotate the speed control wheel toward the left side of the tool.
- ✿ To decrease the speed, rotate the speed control wheel toward the right side of the tool.

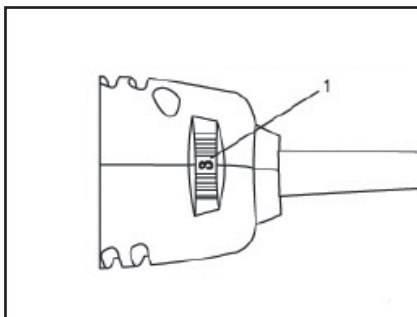


Fig. 6

POZNÁMKA: Speed #1 is the lowest speed. MAX is the highest speed. The optimal speed setting will vary depending upon the type of accessory being used, the surface being worked and the complexity of the project. For general recommendations, see the chart on the following page.

PROJECT:	ACCESSORY:	SPEED:
Drywall	Half circle blade	Maximum
Restoring windows	Half circle blade	Medium
Door Jamb	Wood blade	Maximum
Door casing	Wood blade	Medium / Maximum
Wood dowels	Wood blade	Maximum
Floor vent	Wood blade	Medium / Maximum
PVC pipe	Wood blade	Medium
Glued flooring	Scraper	Medium
Sanding	Scraper	Medium / Maximum

⚠ WARNING : For safety reasons the operator must read the sections of this instruction manual entitled **GENERAL SAFETY INSTRUCTION, SPECIFIC SAFETY RULES and SYMBOLS** before using this multi-tool.

Verify the following every time the multi-tool is used:

- ✿ Safety glasses, safety goggles, or face shield are being worn.
- ✿ Hearing protection is being worn.
- ✿ The blade or sandpaper is in good condition.
- ✿ The accessory is properly tightened onto the accessory holder of the tool.

Failure to observe these safety rules will significantly increase the risk of injury.

5.4 FLUSH CUTTING A DOOR JAMB AND CASING FOR INSTALLING FLOORING

The multi-tool can be used to flush cut a door jamb and casing to allow space for the new flooring to fit nearly under the door jamb and casing. For the purpose of demonstrating the procedure, floor tile is being used.

1. Install the plunge cutting wood saw blade for wood in the tool (Fig. 2).

📖 NOTE: The blade should be centered on the tool housing and NOT installed in the 90° position.

2. Place a scrap piece of floor tile (1) on the floor about 1/2" (25mm) from the door jamb (2) (Fig. 7).

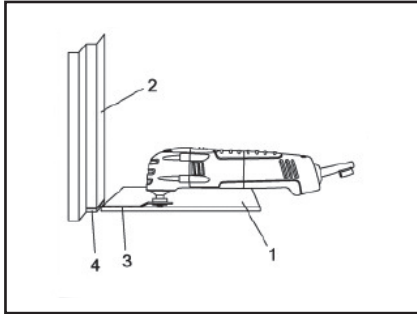


Fig. 7

NOTE: Make sure the “good” side of the tile is facing upward to provide a smooth surface for the blade to follow.

3. Place the tool with the saw blade (3) lightly touching the surface of the tile and the cutting teeth NOT touching the surface to be cut.
4. Set the speed to the fastest speed and turn to tool ON (Fig. 5 & 6)
5. When the tool reach its maximum set speed, carefully plunge the blade into the door jamb while sliding the blade along the floor tile..

NOTE: Hold the tool tightly and do not put too much forward pressure on the saw blade when cutting, as this will cause the tool to vibrate excessively.

6. Continue to make several plunge cuts until the bottom of the door jamb and casing are completely cut off and the loos pieces can be easily removed

Follow the same basic procedure for installing carpet, using a thicker spacer that is the same thickness of the carpet being installed.

5.5 CUTTING A HOLE IN WOOD FLOORING TO INSTALL A HEATING VENT

The multi-tool can be used to cut a hole in wood flooring for installing a heating vent.

1. Install the plunge cutting saw blade for wood in the tool (Fig. 2)

NOTE: The blade should be centered on the tool housing and NOT installed in the 90° position.

2. Place the floor vent on the floor and use a soft lead pencil to trace the required rectangular hole (1) on the flooring (Fig. 8).

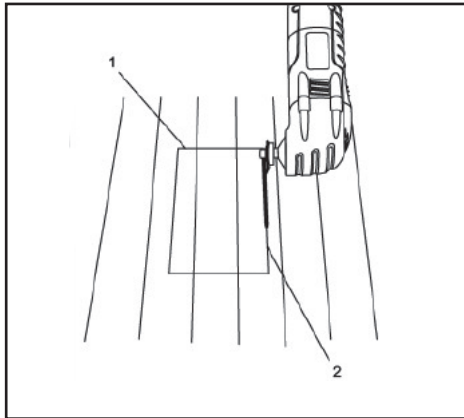



Fig. 8

3. Place the saw blade (2) near the floor surface in the middle of one of the cutting lines.
4. Set the tool speed at a medium speed and turn the tool ON (Fig. 5 & 6)

 **NOTE:** The tool and blade should be at a 45° angle to the floor to allow the corner of the blade to plunge cut into the flooring.

5. While holding the tool tightly, slowly plunge the corner of the blade into the flooring until it cuts through the flooring. Once the plunge cut is complete, set the tool to its highest speed and complete the cut to the corner of the rectangle.
6. Turn the saw OFF, remove it from the cut and proceed to cut in the opposite direction to complete the cut for the first side of the rectangle.
7. Repeat steps #4, #5, #6 to cut the remaining three sides of the rectangle.
8. When all cuts are complete, use a flat blade screw driver to carefully pry the cut-out from the floor.

 **NOTE:** Do **NOT** use the saw blade to pry the cut-out from the floor. You will break the blade. If the cut-out is not easy to pry from the floor, check to make sure each line is cut completely into the corner of the rectangle.

5.6 CUTTING A HOLE IN DRYWALL FOR INSTALLING AN ELECTRICAL OUTLET BOX

The multi-tool can be used to cut a hole in drywall for installing an electrical outlet box.

1. Install the half circle saw blade for wood & drywall in the tool (Fig.2)

 **NOTE:** The blade should be centered on the tool housing and not installed in the 90° position

2. Place the outlet box on the drywall and use a soft lead pencil to trace the required rectangular hole (1) on the drywall (Fig.9)

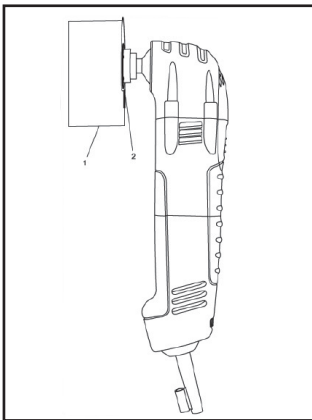




Fig. 9

3. Place the corner edge of the saw blade (2) near the drywall in the middle of one of the cutting lines.
4. Set the speed to the highest speed and turn the tool ON (Fig. 5 & 6)
5. When the tool reaches its maximum speed, carefully plunge the blade into the drywall until it cuts through the drywall. Complete the cut to the corner of the rectangle.

 **NOTE:** Hold the tool tightly and do not push too much pressure on the saw blade when cutting.

6. Turn the saw OFF, remove it from the cut and proceed to cut in the opposite direction to complete the cut for the first side of the rectangle.
7. Repeat steps 4, 5 & 6 to cut the remaining three sides of the rectangle.
8. When all cuts are complete, use a flat blade screw driver to carefully pry the cut-out from the drywall.

 **NOTE:** Do not use the saw blade to pry the cut-out from the drywall. You will break the blade. If the cut-out is not easy to pry from the drywall, check to make sure each line is cut completely into the corner of the rectangle.

5.7 USING THE DETAIL SANDER ATTACHMENT

1. Install the sanding pad on the multi-tool as outlined in Fig. 2
2. Install the sandpaper on the sanding pad as outlined in Fig. 3
3. Set the speed control wheel between 4 and MAX as outlined in Fig. 6
4. Turn the switch ON as outlined in Fig. 5

This tool is designed for detail sanding on small surface areas. Place the sandpaper surface of the sanding pad on the work piece to be sanded. Keep the tool moving to avoid gouging the surface. Use coarse sandpaper and lower speeds when sanding rough surfaces and for removing previous finishes. Use fine sandpaper and higher speeds to produce the smoothest surface.

5.8 USING THE SCRAPER BLADE

1. Install the scraper blade on the multi-tool as outlined in Fig. 2, Fig. 1 & 2.
2. Set the speed control wheel to #4 and turn the switch ON as outlined in Fig. 5 & 6.

When using the scraper blade to scrape old finishes or glue from a work piece, place the under the side of the blade flat on the work piece surface and then lift upward on the rear of the tool to allow the blade to form a very slight angle with the work piece surface. Feed the blade slowly into the material that is to be removed. Do not force the tool as slower travel speeds will produce better cutting action and reduce the risk of gouging the work piece.

When using the scraper blade to cut carpet, place a scrap work piece under the carpet where the cut is being made. Set the speed to MAX, turn the tool so the scraper blade is at right angles (perpendicular) to the carpet and the feed the blade into the carpet

6. MAINTENANCE

GENERAL

⚠ WARNING: When servicing, use only identical replacement parts. The use of any other part may create a hazard or cause product damage

Do not use solvents when cleaning plastic parts. Plastics are susceptible to damage from various types of commercial solvents and may be damaged by their use. Use a clean cloth to remove dirt, dust, oil, grease etc.

⚠ WARNING: Do not allow brake fluids, gasoline, petroleum-based products, penetration oils, etc. to come into contact with plastic parts. They contain chemicals that can damage, weaken or destroy plastic.

Do not abuse power tools. Abusive practices can damage the tool and the work piece

⚠ WARNING: Do not attempt to modify tools or create accessories. Any such alteration or modification is misuse and could result in a hazardous condition leading to possible serious injury. It will also void the warranty

LUBRICATION

All of the bearings in this tool are lubricated with a sufficient amount of high-grade lubricant for the life of the unit under normal conditions. Therefore, no further lubrication is required.

7. TECHNICAL SPECIFICATIONS

MULTI FUNCTION TOOL :	
Power supply:	230V/50Hz
Power input:	300W
Speed	15000 - 22000/min
Protection class:	II
Power supply cable length	1.8m
Declared noise level	100.2dB(A)
Vibration:	ah.=4.464ms ⁻² , K=1.5ms ⁻²

8. DISPOSAL

INSTRUCTIONS AND INFORMATION ON DISPOSAL OF USED PACKAGING

Put any used package material to the place determined by the municipality for waste disposal.

DISPOSAL OF USED ELECTRIC AND ELECTRONIC EQUIPMEN



This symbol on products or accompanying documents means that used electric or electronic products must not be put to ordinary municipal waste. Hand over such products to determined collection points for proper disposal, restoration and recycling. Alternatively, in some countries of the European Union or other European countries you can return your products to your local dealer when you buy an equivalent new product. By dutiful disposal of this product you can preserve precious natural resources and you help prevent any potential adverse effects on the environment and human health which could be the results of wrong waste disposal. Ask your local authority or the nearest collection point for additional details. In case of improper disposal of this waste kind penalties can be imposed in accordance with national regulations.

FOR COMPANIES IN THE EUROPEAN UNION COUNTRIES

Should you want to dispose of electric and electronic devices, ask your dealer or vendor for necessary information.

DISPOSAL IN OTHER COUNTRIES OUTSIDE THE EUROPEAN UNION



Should you want to dispose of this product, ask your local authorities or your dealer for necessary information about disposal method

This product fulfils all basic requirements of the EU directives that apply to it.

Text, design and technical specifications can change without prior notice and we reserve the right for their change.