

teesa TSA8047 Air Fryer Owner's Manual

[Home](#) » [teesa](#) » teesa TSA8047 Air Fryer Owner's Manual

teesa[®]

Air fryer
TSA8047
Owner's manual



Thank you for purchasing the TEESA appliance. Please read this operation instruction carefully before use, and keep it for future use. The distributor does not take responsibility for damages caused by inappropriate handling and use of the product.

Contents [[hide](#)]

[1 SAFETY INSTRUCTIONS](#)

[2 IMPORTANT](#)

[3 BEFORE FIRST USE](#)

[4 PRODUCT DESCRIPTION](#)

[5 OPERATION](#)

[6 CLEANING AND MAINTENANCE](#)

[7 TROUBLESHOOTING](#)

[8 SPECIFICATION](#)

[9 Documents / Resources](#)

[9.1 References](#)

[10 Related Posts](#)

SAFETY INSTRUCTIONS

In order to reduce the injuries or damages, follow basic safety precautions applied when using any electrical device, including the following:

1. Read the entire instruction manual before you start installation and assembly and keep it for future reference.
2. Before connecting the device to the power supply socket, make sure the voltage indicated on the device corresponds to the voltage in the power supply socket.
3. This appliance must not be supplied through an external switching device, such as a timer, or connected to a circuit that is regularly switched on and off by the utility. The device must be connected directly to the power outlet.
4. Appliance for household use only.
5. Clean and store this device in accordance to the instructions listed in the Cleaning and storage section.
6. ALWAYS turn off the device and disconnect it from the mains supply:
 - if it's not operating correctly
 - if there's an uncommon voice when using
 - before disassembling the device
 - before cleaning
 - when not in use
7. When you disconnect the power cord of the device, grasp and pull the plug, not the cord/cable.
8. This appliance may be used by children who are above 8 years old and by persons with reduced physical, sensory or mental capabilities, or lack of experience and knowledge, if they are supervised and guided by a person who is responsible for their safety in a cautious manner for all the safety precautions being understood and followed. Children should be supervised to ensure that they do not play with the appliance. Children should not perform cleaning and servicing of the device unsupervised.
9. Keep the device out of the reach of children.
10. Fixed power cables may only be replaced in an authorized service point.
11. Keep the device and its cord/cable away from heat, water, moisture, sharp edges, and any other factor which may damage the appliance or its cord.

12. Make sure the power cord does not touch any hot or sharp elements.
13. Do not use the product for purposes different from those displayed in this operating manual.
14. Do not

IMPORTANT

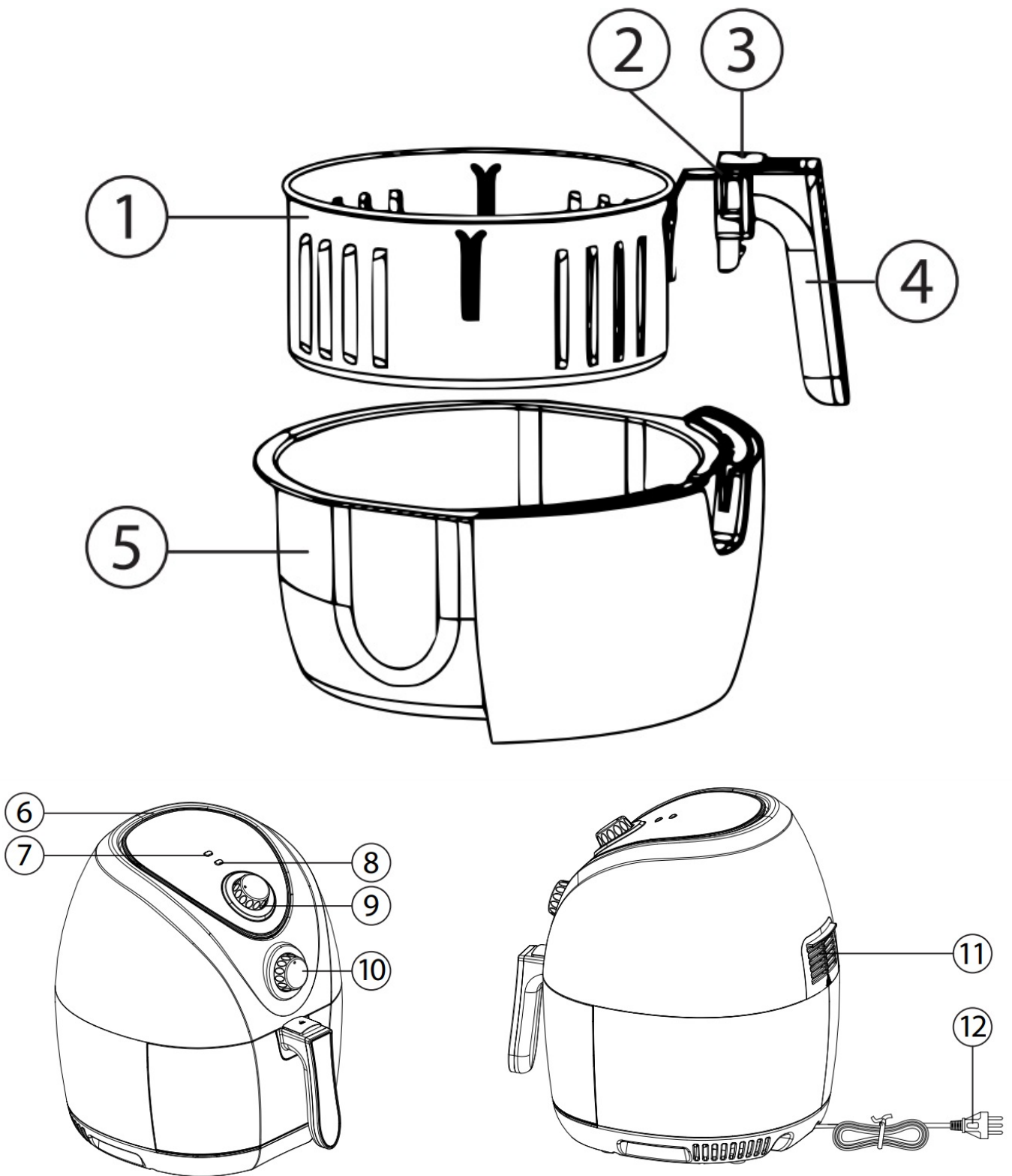
1. Do not fill the pot with oil. This can cause fire hazards.
2. Do not touch parts that heat up. Risk of burning hands. To move the hot pot, use the handle.
3. Do not cover air inlets and outlets.
4. Place the device on stable and even surfaces, at least 30 cm from walls, furniture, and other devices.
5. Do not place any objects on the top of the device. This can affect airflow inside the device.
6. During food preparation, the basket must always be inside the pot. Do not use pot only.
7. During baking cakes, do not exceed half of the basket capacity. Rising-up ingredients can touch the heater.
8. Do not fill the basket with ingredients above the MAX line.

BEFORE FIRST USE

1. Take out the device from the package.
2. Remove all stickers and labels from the device.
3. Take out the pot from the device and press the basket release button to take out the basket.
4. Clean the pot and the basket thoroughly with warm water, a soft sponge, and a mild cleaning product.
5. Clean the case of the device with a slightly damp cloth.
6. When the pot and the basket are dry, insert them into the device. Turn on the device and set the maximum temperature for 15 minutes, to remove any production residues and preheat the new elements. During this process, the device may release an odor. This is a normal reaction and should not reoccur again.

PRODUCT DESCRIPTION

1. Basket
2. Basket release button
3. Basket release button cover
4. Handle
5. Pot
6. Air inlet
7. Power indicator
8. Heat-up indicator
9. Temperature adjustment knob
10. Cooking time adjustment knob
11. Air outlet
12. Power cord



OPERATION

1. Connect the power cord to the power outlet.
2. Set the temperature adjustment knob to the selected position.
3. Set cooking time to 3 minutes, to heat up the device.
4. After 3 minutes, ingredients may be placed in the basket.
5. Set the cooking time adjustment to the selected position.
6. End of the cooking time will be signaled with a bell sound.
7. Take out the pot and place it on a heat-resistant surface.

8. Move the basket release button cover and press the basket release button to take out the basket from the pot.

Tip: for better results, during cooking take out the pot and shake the ingredients. After taking out the pot, the device will pause cooking and resume after inserting the pot.

Caution: to take out hot food from the basket, use a wooden spatula.

CLEANING AND MAINTENANCE

1. Clean this device after each use.
2. Before cleaning, disconnect the device and wait for it to cool down.
3. Clean the basket and the pot in warm water with a mild cleaning agent. The basket and the pot can be washed in the dishwasher.
4. To clean the case of the device, use a slightly damp cloth, without any chemical agents.
Do not submerge the device in water or wash it in the dishwasher.
5. If the device is not going to be used for a long period of time, store it in a dry and cool place.

TROUBLESHOOTING

Problem	Possible reason	Possible Solution
The device does not work	The power cord is not connected to the power outlet	Make sure that the power cord is properly connected to the power outlet.
	Cooking time was not set	Set the cooking time using the cooking time adjustment knob
After cooking the meats still raw	Too many ingredients in the basket	A bigger amount of food has to be cooked separately.
	Too low cooking temperature	Set up a higher cooking temperature and cook again.
	Too short cooking time	Set up longer cooking time and cook again
Food was not cooked evenly	Some food requires shaking during cooking	During cooking, take out the pot and shake the ingredients
Food is not crispy	Required cooking with oil	Pour a little amount of oil onto the food
Can not insert the pot into the device	Pot is overloaded	Ingredients in the pot cannot exceed the MAX line
	The basket was placed incorrectly in the pot	Slide the basket into the pot
Smoke is coming out of the pot	Cooking food with a high-fat amount	This is normal
	Inside the device, there is fat from previous cooking	Clean the pot and the basket

RECOMMENDED COOKING SETTINGS

Temperature (°C)	Type	Time (in minutes)
200	Thin frozen fries	10-15
	Chicken drumsticks	Cook for 8-10 minutes, then lower temperature to 160 for 10 minutes
	Meatballs	6-10
	Bacon	10
	Frozen shrimp	8-10
	Onion rings	12-15
	Spring rolls	10-15
	Dumplings	7-10
	Fresh sweet potato fries	10
	Flank steak	8-10
	Pork chops	20-25
195	Thick frozen fries	12-20
	Chicken wings	15-20
190	Filet mignon	Cook for 10 minutes, then flip and cook for additional 5 minutes
	Frozen chicken nuggets	10
	Brussel sprouts	20
	Mixed Vegetables	15-20
180	Hamburger	10-Jun
	Frozen sweet potato fries	12-Oct
	Chicken breast	15-20
175	Frozen fish sticks	10
	Mozzarella sticks	10
	Whole chicken	30 minutes both sides
150	Salmon filet	15-Oct

SPECIFICATION

Main features

- Cooking, frying, and baking function
- Fast heat up by air circulation
- Evenly distributed heat

- Temperature adjustment
- Cooking time adjustment
- Pot made from stainless steel, coated with non-sticking material
- Nonheating handle
- Non-slippery bottom
- Dishwasher safe pot
- Overheating protection

Technical data

- Pot capacity: 3,2 l
- Power: 1400 W
- Power supply: 220 V; 60 Hz
- Color: Black
- Cable length: 1m
- Weight: 4,7 kg
- Dimensions: 290x340x340 mm



Correct Disposal of This Product (Waste Electrical & Electronic Equipment)

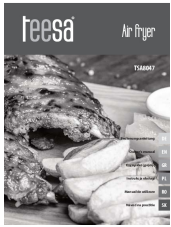
(Applicable in the European Union and other European countries with separate collection systems) This marking shown on the product or its literature indicates that it should not be disposed of with other household wastes at the end of its working life. To prevent possible harm to the environment or human health from uncontrolled waste disposal, please separate this from other types of waste and recycle it responsibly to promote the sustainable reuse of material resources. Household users should contact either the retailer where they purchased this product, or their local government office, for details of where and how they can take this item for environmentally safe recycling. Business users should contact their suppliers and check the terms and conditions of the purchase contract. This product should not be mixed with other commercial wastes for disposal.

Made in China for LECHPOL ELECTRONICS Sp. z o.o. Sp.k., ul. Garwolińska 1, 08-400 Miętne.

teesa[®]

www.teesa.pl

Documents / Resources



[teesa TSA8047 Air Fryer](#) [pdf] Owner's Manual
TSA8047, Air Fryer, TSA8047 Air Fryer

References

- [Teesa - małe AGD dla Ciebie, dla domu](#)

Related Posts



[Hisense H06AFBS1S3 Air Fryer Instruction Manual](#)

H06AFBS1S3 Air Fryer H06AFBS1S3 min °C 16 180 25 180 12 180 18
180 17 160 17 200...



[Tefal FZ750060 Air Fryer Instruction Manual](#)

NUTRITION GOURMANDE® ACTIFRY EXPRESS Depending on mode
www.seb.fr www.tefal.com/country-selector www.tefal.com/country-selector www.imusa.com.co



[Instant Pot Air Fryer Lid Manual](#)

Instant Pot Air Fryer Lid Manual - Optimized PDF Instant Pot Air Fryer Lid
Manual - Original PDF...



[Air-Con Service Manual](#)

Air-Con Service Manual - Download [optimized] Air-Con Service Manual -
Download