

BORMANN®

PRO

Built to last.



BPH3100

043188

EN FR

IT EL

BG SL

RO HR

v2.2



WWW.NIKOLAOUTOOLS.COM



Safety Instructions

WARNING: Read all safety warnings and all instructions.

Failure to follow all warnings and instructions may result in electric shock, fire and/or serious injury.

Save all warnings and instructions for future reference

The term "power tool" in the warnings refer to your mains operated (corded) power tool or battery operated (cordless) power tool.

Work area

- 1) Keep work area clean and well lit. Cluttered and dark areas invite accidents.
- 2) Do not operate power tools in explosive atmospheres, such as in the presence of flammable liquids, gases or dust. Power tools create sparks which may ignite the dust or fumes.
- 3) Keep children and bystanders away while operating a power tool. Distractions can cause you to lose control.

Electrical safety

- 1) Power tool plugs must match the outlet. Never modify the plug in any way. Do not use any adapter plugs with earthed (grounded) power tools. Unmodified plugs and matching outlets will reduce risk of electric shock.
- 2) Avoid body contact with earthed or grounded surfaces such as pipes, radiators, ranges and refrigerators. There is an increased risk of electric shock if your body is earthed or grounded.
- 3) Do not expose power tools to rain or wet conditions. Water entering a power tool will increase the risk of electric shock.
- 4) Do not abuse the cord. Never use the cord for carrying, pulling or unplugging the power tool. Keep cord away from heat, oil, sharp edges or moving parts. Damaged or entangled cords increase the risk of electric shock.
- 5) When operating a power tool outdoors, use an extension cord suitable for outdoor use. Use of a cord suitable for outdoor use reduces the risk of electric shock.
- 6) If operating a power tools in a damp location is unavoidable, use a residual current device (RCD) protected supply. Use of an RCD reduces the risk of electric shock.

Personal safety

- 1) Stay alert, watch what you are doing and use common sense when operating a power tool. Do not use a power tool while you are tired or under the influence of drugs, alcohol or medication. A moment of inattention while operating power tools may result in serious personal injury.
- 2) Use safety equipment. Always wear eye protection. Safety equipment such as dust mask, non-skid safety shoes, hard hat, or hearing protection used for appropriate conditions will reduce personal injuries.
- 3) Avoid accidental starting. Ensure the switch is in the off position before plugging in. Carrying power tools with your finger on the switch or plugging in power tools that have the switch on invites accidents.
- 4) Remove any adjusting key or wrench before turning the power tool on. A wrench or a key left attached to a rotating part of the power tool may result in personal injury.
- 5) Do not overreach. Keep proper footing and balance at all times. This enables better control of the power tool in unexpected situations.
- 6) Dress properly. Do not wear loose clothing or jewellery. Keep your hair, clothing and gloves away from moving parts. Loose clothes, jewellery or long hair can be caught in moving parts.
- 7) If devices are provided for the connection of dust extraction and collection facilities, ensure these are connected and properly used. Use of these devices can reduce dust related hazards.

Power tool use and care

- 1) Do not force the power tool. Use the correct power tool for your application. The correct power tool will do the job better and safer at the rate for which it was designed.
- 2) Do not use the power tool if the switch does not turn it on and off. Any power tool that cannot be controlled with the switch is dangerous and must be repaired.
- 3) Disconnect the plug from the power source before making any adjustments, changing accessories, or storing power tools. Such preventive safety measures reduce the risk of starting the power tool accidentally.
- 4) Store idle power tools out of the reach of children and do not allow persons unfamiliar with the power tool or these instructions to operate the power tool. Power tools are dangerous in the hands of untrained users.
- 5) Maintain power tools. Check for misalignment or binding of moving parts, breakage of parts and any other condition that may affect the power tools operation. If damaged, have the power tool repaired before use. Many accidents are caused by poorly maintained power tools.
- 6) Keep cutting tools sharp and clean. Properly maintained cutting tools with sharp cutting edges are less likely to bind and are easier to control;
- 7) Use the power tool, accessories and tool bits etc., in accordance with these instructions and in the manner intended for the particular type of power tool, taking into account the working conditions and the work to be performed. Use of the power tool for operations different from intended could result in a hazardous situation.

Service

- 1) Have your power tool serviced by a qualified repair person using only identical replacement parts. This will ensure that the safety of the power tool is maintained.

Safety warnings

- Wear ear protectors. Exposure to noise can cause hearing loss.
- Use auxiliary handle(s), if supplied with the tool. Loss of control can cause personal injury.
- Hold power tool by insulated gripping surfaces, when performing an operation where the cutting accessory may contact hidden wiring or its own cord. Cutting accessory contacting a "live" wire may make exposed metal parts of the power tool "live" and could give the operator an electric shock.

Symbols - Pictograms



WARNING – To reduce the risk of injury, user must read instruction manual.



Double insulation.



Environmental Protection

Waste electrical products should not be disposed of with house hold waste, Please recycle where facilities exist. Check with your local Authority or retailer for recycling advice.

Technical data

INPUT POWER:	1200W
NO-LOAD SPEED:	1050rpm
IMPACT RATE:	4200bpm
IMPACT ENERGY:	5.0J
CHUCK TYPE:	SDS-PLUS
WEIGHT:	4.50kg
DRILLING CAPACITY:	- MASONRY Ø32mm
	- STEEL Ø13mm
	- WOOD Ø40mm

* The manufacturer reserves the right to make minor changes to product design and technical specifications without prior notice unless these changes significantly affect the performance and safety of the products. The parts described / illustrated in the pages of the manual that you hold in your hands may also concern other models of the manufacturer's product line with similar features and may not be included in the product you just acquired.

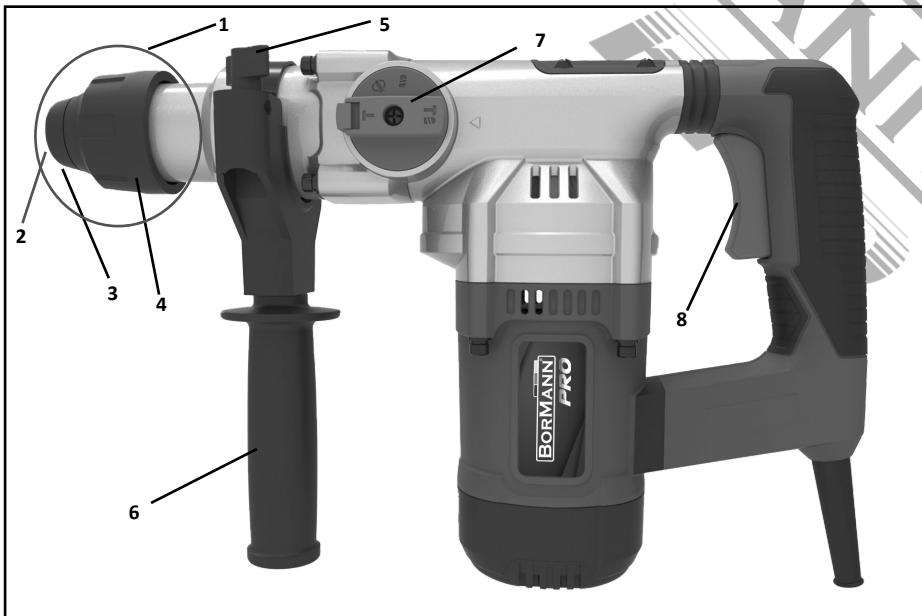
* To ensure the safety and reliability of the product and the warranty validity, all repair, inspection, repair or replacement work, including maintenance and special adjustments, must only be carried out by technicians of the authorized service department of the manufacturer.

* Always use the product with the supplied equipment. Operation of the product with non-provided equipment may cause malfunctions or even serious injury or death. The manufacturer and the importer shall not be liable for injuries and damages resulting from the use of non-conforming equipment.

Intended Use

The machine is intended for hammer drilling in concrete, brick and stone. It is likewise suitable for drilling without impact in wood, metal, ceramic and plastic. The Tool Is To Be Used Only For Its Prescribed Purpose. Any Other Use Is Deemed To Be A Case Of Misuse.

Description of main parts



1. SDS-plus chuck
2. Tool holder (SDS-plus)
3. Dust protection cap
4. Locking sleeve
5. Depth stop
6. Auxiliary handle
7. Operational mode selection switch
8. On/Off switch

Not all the accessories illustrated or described included in standard delivery.

Additional safety warnings

Working safely with this machine possible only when the operating and safety information are read completely and the instructions contained therein are strictly followed.

Before using for the first time, ask for a practical demonstration.

If the cable is damaged or cut through while working, do not touch the cable but immediately pull the mains plug.

Never use the machine with a damaged cable.

Wear safety glasses, protective gloves and sturdy shoes.

Wear ear protection to prevent damage to your hearing.

The machine must not be damp and must not be operated in a wet environment.

Keep long hair away from the machine.

Do not operate while wearing loose clothing.

● Connect the mains plug only when the tool is switched off. After using, pull the mains plug.

● Always direct the cable to the rear away from the machine.

● Do not carry the machine by the cable.

● When working with the machine, always hold it firmly with both hands and provide for a secure stance.

● During pauses in the work, when not in use or during work on the machine itself (e.g., changing of the working tools, repairs, cleaning, adjustment), pull the mains plug.

● Persons under 16 year of age are not permitted to operate this machine.

● Keep the tool accessories out of the reach of children.

● Only use original accessories.

Residual risks

Even when the tool is used as prescribed it is not possible to eliminate all residual risk factors. The following hazards may arise in connection with the tool's construction and design:

1. Damage to lungs if an effective dust mask is not worn.

2. Damage to hearing if effective hearing protection is not worn.

3. Health defects resulting from vibration emission if the power tool is being used over longer period of time or not adequately managed and properly maintained.

Wear hearing protection while operating the power tool.

WARNING! This machine produces an electromagnetic field during operation. This field may under some circumstances interfere with active or passive medical implants. To reduce the risk of serious or fatal injury, we recommend persons with medical implants to consult their physician and the medical implant manufacturer before operating this machine.

Before Use

Be careful of hidden electrical lines or gas and water pipes. Check the working area, e.g. with a metal detector.

Always use the correct supply voltage!

The voltage of the power source must agree with the value given on the nameplate of the machine.

Operating instructions

Tool Changing

Take care that the dust protection cap (3) is not damaged when changing tools.

SDS-PLUS Tools

The SDS-plus tool is designed to be freely movable.

This causes eccentricity when the machine is offload. However, the drill automatically centres itself during operation. This does not affect drilling precision.

Inserting

● Clean and lightly the tool before inserting.

● Insert the dust-free tool into the tool holder (2) with twisting until it latches.

● The tool locks itself. Check the locking by pulling on the tool.

Removing

● Pull the locking sleeve (4) to the rear and hold while removing the tool.

Non SDS-PLUS tools

Do not use tools without SDS-plus for hammer drilling or chiselling!

Switching ON and OFF

Switching on: Press the ON - OFF switch (8).
Switching off: Release the ON - OFF switch (8).

Overload Clutch

If the drill bit becomes jammed or caught, the drive to the drill spindle is interrupted.

- Because of the forces that occur as a result, always hold the machine with both hands and take a secure stance. The machine should be used only with an auxiliary handle.

Auxiliary Handle (6)

You will be able to obtain a safe position when working by rotating the handle attachment. Loosen and turn the handle attachment in an anticlockwise direction. Then tighten the handle attachment.


Depth Stop (5)

Loosen the winged screw on the auxiliary handle (6). Adjust the drilling depth on the depth stop (5). Retighten the winged screw.


Operating Modes

WARNING! When switching operation modes please trigger ON/OFF switch slightly.

1. Hammer drill mode:

Turn the mode selector switch (7) to mode “” (see Fig.1).

2. Chiselling mode

Turn the mode selector switch (7) to mode “” (see Fig.1).

3. Changing the chiselling position (see Fig.1)

The chisel can be locked in various positions. In this manner, the optimum working position can be set for each application. Insert the chisel into the tool holder.
Adjust to the desired angle of chisel bit, then switch back to chisel mode.

4. Drilling (see Fig.1)

Turn the selector to this position in order to activate the drilling mechanism. Hammering action is not engaged when this mode is selected.



Fig.1

Maintenance and Cleaning

WARNING: Before any work on the machine itself, pull the mains plug.
For safe and proper working, always keep the machine and the ventilation slots clean.
Clean the tool mount daily.

Replacing the Dust Protection Cap

Damaged dust protection caps should be replaced as possible since dust that enters the tool holder can cause malfunctions.
Pull back and hold the locking sleeve pull off the dust cap 4 with a suitable tool.

With the locking sleeve pulled back, pull on the new dust cap until it sits firmly over the tool holder and the locking sleeve can again be slid forward.

If the machine should happen to fail despite the care taken in manufacture and testing, repair should be carried out by an authorised customer service agent.

ENVIRONMENTAL DISPOSAL

In order to avoid damages on transportation, the tool has to be delivered in solid packaging. Packaging as well as the unit and accessories are made of recyclable materials and can be disposed accordingly. The tool's plastics components are marked according to their material, which makes it possible to remove environmental friendly and differentiated because of available collection facilities.



Only for EU countries

Do not dispose of electric tools together with household waste material!

In observance of European Directive 2002/96/EC on waste electrical and electronic equipment and its implementation in accordance with national law, electric tools that have reached the end of their life must be collected separately and returned to an environmentally compatible recycling facility.

Instructions de sécurité

AVERTISSEMENT : Lisez tous les avertissements de sécurité et toutes les instructions. Le non-respect de tous les avertissements et instructions peut entraîner un choc électrique, un incendie et/ou des blessures graves.

Conservez tous les avertissements et les instructions pour pouvoir vous y référer ultérieurement. Le terme "outil électrique" dans les avertissements fait référence à votre outil électrique fonctionnant sur secteur (filaire) ou sur batterie (sans fil).

Zone de travail

- 1) Gardez la zone de travail propre et bien éclairée. Les zones encombrées et sombres sont propices aux accidents.
- 2) N'utilisez pas d'outils électriques dans des atmosphères explosives, par exemple en présence de liquides, de gaz ou de poussières inflammables. Les outils électriques créent des étincelles qui peuvent enflammer la poussière ou les fumées.
- 3) Ne laissez pas les enfants et les spectateurs s'approcher lorsque vous utilisez un outil électrique. Les distractions peuvent vous faire perdre le contrôle.

Sécurité électrique

- 1) Les fiches des outils électriques doivent être adaptées à la prise. Ne modifiez jamais la fiche de quelque façon que ce soit. N'utilisez pas d'adaptateur avec des outils électriques mis à la terre. Des fiches non modifiées et des prises adaptées réduisent le risque de choc électrique.
- 2) Évitez tout contact du corps avec des surfaces mises à la terre ou à la masse, comme les tuyaux, les radiateurs, les cuisinières et les réfrigérateurs. Il existe un risque accru de choc électrique si votre corps est mis à la terre ou à la masse.
- 3) N'exposez pas les outils électriques à la pluie ou à des conditions humides. La pénétration d'eau dans un outil électrique augmente le risque de choc électrique.
- 4) Ne pas abuser du cordon. N'utilisez jamais le cordon pour porter, tirer ou débrancher l'outil électrique. Maintenez le cordon à l'écart de la chaleur, de l'huile, des bords tranchants ou des pièces mobiles. Les cordons endommagés ou emmêlés augmentent le risque de choc électrique.
- 5) Lorsque vous utilisez un outil électrique à l'extérieur, utilisez une rallonge adaptée à une utilisation en extérieur. L'utilisation d'un cordon adapté à l'extérieur réduit le risque de choc électrique.
- 6) Si l'utilisation d'un outil électrique dans un endroit humide est inévitable, utilisez une alimentation protégée par un dispositif à courant résiduel (RCD). L'utilisation d'un RCD réduit le risque de choc électrique.

Sécurité personnelle

- 1) Restez vigilant, regardez ce que vous faites et faites preuve de bon sens lorsque vous utilisez un outil électrique. N'utilisez pas un outil électrique si vous êtes fatigué ou sous l'influence de drogues, d'alcool ou de médicaments. Un moment d'inattention lors de l'utilisation d'un outil électrique peut entraîner des blessures graves.
- 2) Utilisez des équipements de sécurité. Portez toujours des lunettes de protection. Les équipements de sécurité tels que le masque anti-poussière, les chaussures de sécurité antidérapantes, le casque de chantier ou les protections auditives utilisés dans les conditions appropriées réduiront les blessures corporelles.
- 3) Évitez tout démarrage accidentel. Assurez-vous que l'interrupteur est en position d'arrêt avant de brancher l'appareil. Transporter des outils électriques avec le doigt sur l'interrupteur ou brancher des outils électriques dont l'interrupteur est allumé invite aux accidents.
- 4) Retirez toute clé de réglage ou clé à molette avant de mettre l'outil électrique en marche. Une clé laissée attachée à une pièce rotative de l'outil électrique peut entraîner des blessures.
- 5) Ne vous penchez pas trop. Gardez toujours un bon pied et un bon équilibre. Cela permet de mieux contrôler l'outil électrique dans des situations inattendues.
- 6) Habillez-vous correctement. Ne portez pas de vêtements amples ni de bijoux. Tenez vos cheveux, vos vêtements et vos gants éloignés des pièces mobiles. Les vêtements amples, les bijoux ou les cheveux longs peuvent être happés par les pièces en mouvement.
- 7) Si des dispositifs sont prévus pour le raccordement des installations d'extraction et de collecte des poussières, assurez-vous qu'ils sont raccordés et utilisés correctement. L'utilisation de ces dispositifs peut réduire les risques liés à la poussière.

Utilisation et entretien des outils électriques

- 1) Ne forcez pas sur l'outil électrique. Utilisez le bon outil électrique pour votre application. Le bon outil électrique fera le travail mieux et de manière plus sûre, au rythme pour lequel il a été conçu.
- 2) N'utilisez pas l'outil électrique si l'interrupteur ne permet pas de le mettre en marche et de l'arrêter. Tout outil électrique qui ne peut être contrôlé à l'aide de l'interrupteur est dangereux et doit être réparé.
- 3) Débranchez la fiche de la source d'alimentation avant d'effectuer tout réglage, de changer d'accessoire ou de ranger l'outil électrique. Ces mesures de sécurité préventives réduisent le risque de démarrage accidentel de l'outil électrique.
- 4) Rangez les outils électriques inutilisés hors de portée des enfants et ne laissez pas les personnes qui ne connaissent pas l'outil électrique ou ces instructions utiliser l'outil électrique. Les outils électriques sont dangereux entre les mains d'utilisateurs non formés.
- 5) Entretenez les outils électriques. Vérifiez que les pièces mobiles ne sont pas mal alignées, qu'elles ne sont pas coincées, qu'elles ne sont pas cassées et que rien d'autre ne risque d'affecter le fonctionnement de l'outil. S'il est endommagé, faites-le réparer avant de l'utiliser. De nombreux accidents sont causés par des outils électriques mal entretenus.
- 6) Maintenez les outils de coupe affûtés et propres. Des outils de coupe correctement entretenus et aux bords tranchants sont moins susceptibles de se coincer et sont plus faciles à contrôler ;
- 7) Utilisez l'outil électrique, les accessoires et les embouts, etc., conformément à ces instructions et de la manière prévue pour le type particulier d'outil électrique, en tenant compte des conditions de travail et du travail à effectuer. L'utilisation de l'outil électrique pour des opérations différentes de celles prévues peut entraîner une situation dangereuse.

Service

- 1) Faites réparer votre outil électrique par un réparateur qualifié qui n'utilisera que des pièces de rechange identiques. Cela permettra de garantir la sécurité de l'outil électrique.

Avertissements de sécurité

- Portez des protections auditives. L'exposition au bruit peut entraîner une perte d'audition.
- Utilisez la ou les poignées auxiliaires, si elles sont fournies avec l'outil. La perte de contrôle peut entraîner des blessures corporelles.
- Tenez l'outil électrique par des surfaces de préhension isolées, lorsque vous effectuez une opération où l'accessoire de coupe peut entrer en contact avec des fils cachés ou son propre cordon. Le contact de l'accessoire de coupe avec un fil "sous tension" peut rendre les parties métalliques exposées de l'outil électrique "sous tension" et donner à l'opérateur un choc électrique.

Symboles - Pictogrammes



AVERTISSEMENT - Pour réduire le risque de blessure, l'utilisateur doit lire le manuel d'instructions.



Double isolation.



Protection de l'environnement

Les produits électriques usagés ne doivent pas être jetés avec les déchets ménagers, veuillez les recycler là où les installations existent. Vérifiez auprès de votre autorité locale ou de votre détaillant pour obtenir des conseils sur le recyclage.

Données techniques

PUISSANCE D'ENTRÉE :	1200W
VITESSE SANS DÉPART :	1050 tr/min
TAUX D'IMPACT :	4200bpm
ÉNERGIE D'IMPACT :	5.0J
CHUCK TYPE :	SDS-PLUS
POIDS :	4,50 kg
CAPACITÉ DE FORAGE :	- MASONERIE Φ32mm
	- ACIER Φ13mm
	- BOIS Φ40mm

* Le fabricant se réserve le droit d'apporter des modifications mineures à la conception et aux spécifications techniques des produits sans préavis, à moins que ces modifications n'affectent de manière significative les performances et la sécurité des produits. Les pièces décrites / illustrées dans les pages du manuel que vous tenez entre vos mains peuvent également concerner d'autres modèles de la gamme de produits du fabricant présentant des caractéristiques similaires et peuvent ne pas être incluses dans le produit que vous venez d'acquérir.

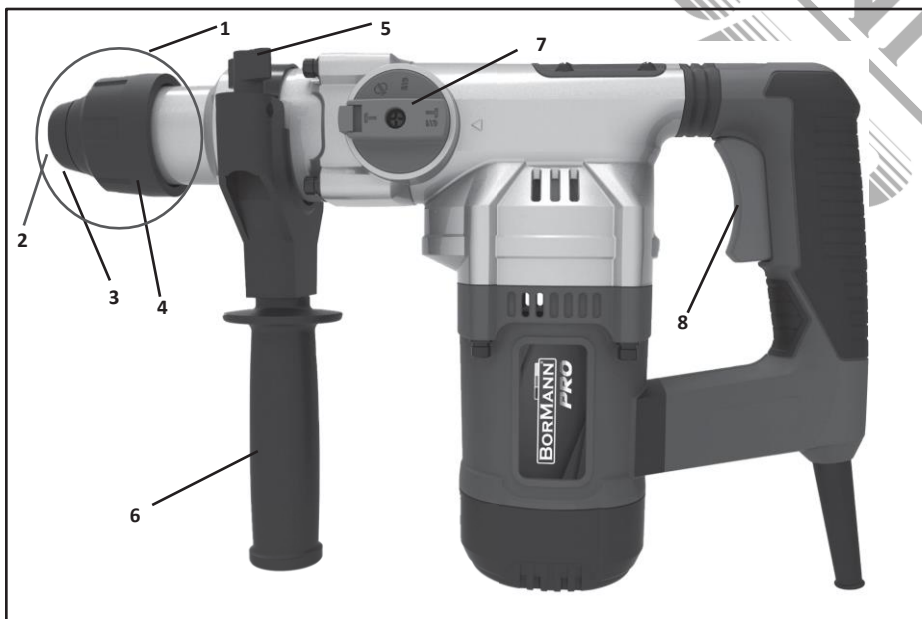
* Pour garantir la sécurité et la fiabilité du produit et la validité de la garantie, tous les travaux de réparation, d'inspection, de réparation ou de remplacement, y compris l'entretien et les réglages spéciaux, doivent être effectués uniquement par des techniciens du service après-vente agréé du fabricant.

* Utilisez toujours le produit avec l'équipement fourni. L'utilisation du produit avec un équipement non fourni peut entraîner des dysfonctionnements, voire des blessures graves ou mortelles. Le fabricant et l'importateur ne peuvent être tenus responsables des blessures et des dommages résultant de l'utilisation d'un équipement non conforme.

Utilisation prévue

La machine est destinée au forage à percussion dans le béton, la brique et la pierre. Elle convient également au perçage sans impact dans le bois, le métal, la céramique et le plastique. L'outil ne doit être utilisé que dans le but pour lequel il a été conçu. Toute autre utilisation est considérée comme un cas de mauvaise utilisation.

Description des principales parties



1. Mandrin SDS-plus
2. Porte-outil (SDS-plus)
3. Capuchon de protection contre la poussière
4. Manchon de verrouillage
5. Butée de profondeur
6. Poignée auxiliaire
7. Commutateur de sélection du mode de fonctionnement
8. Interrupteur marche/arrêt

Tous les accessoires illustrés ou décrits dans le présent document ne sont pas nécessairement inclus dans la livraison standard.

Avertissements de sécurité supplémentaires

Travailler en toute sécurité avec cette machine n'est possible que si les informations relatives à l'utilisation et à la sécurité sont lues intégralement et si les instructions qu'elles contiennent sont strictement respectées.

Avant de l'utiliser pour la première fois, demandez une démonstration pratique.

Si le câble est endommagé ou sectionné pendant le travail, ne touchez pas le câble mais débranchez immédiatement la fiche secteur. N'utilisez jamais la machine avec un câble endommagé.

Portez des lunettes de sécurité, des gants de protection et des chaussures robustes. Portez des protections auditives pour éviter d'endommager votre audition.

La machine ne doit pas être humide et ne doit pas être utilisée dans un environnement humide. Tenez les cheveux longs éloignés de la machine.

Ne pas utiliser l'appareil en portant des vêtements amples.

- Ne branchez la fiche secteur que lorsque l'outil est éteint. Après utilisation, débranchez la fiche secteur.
- Dirigez toujours le câble vers l'arrière, loin de la machine.
- Ne portez pas la machine par le câble.
- Lorsque vous travaillez avec la machine, tenez-la toujours fermement des deux mains et prévoyez une position sûre.
- Pendant les pauses de travail, les périodes de non utilisation ou les interventions sur la machine elle-même (par exemple, changement des outils de travail, réparations, nettoyage, réglage), débranchez la fiche secteur.
- Les personnes âgées de moins de 16 ans ne sont pas autorisées à utiliser cette machine.
- Gardez les accessoires de l'outil hors de portée des enfants.
- N'utilisez que des accessoires d'origine.

Risques résiduels

Même lorsque l'outil est utilisé conformément aux prescriptions, il n'est pas possible d'éliminer tous les facteurs de risque résiduels. Les risques suivants peuvent survenir en rapport avec la construction et la conception de l'outil :

1. Endommagement des poumons si un masque anti-poussière efficace n'est pas porté.
2. Dommages à l'ouïe si une protection auditive efficace n'est pas portée.
3. Défauts de santé résultant de l'émission de vibrations si l'outil électrique est utilisé pendant une longue période ou s'il n'est pas géré et entretenu de manière adéquate.

Portez une protection auditive lorsque vous utilisez l'outil électrique.

AVERTISSEMENT ! Cet appareil produit un champ électromagnétique pendant son fonctionnement. Ce champ peut, dans certaines circonstances, interférer avec des implants médicaux actifs ou passifs. Pour réduire le risque de blessure grave ou mortelle, nous recommandons aux personnes ayant des implants médicaux de consulter leur médecin et le fabricant de l'implant médical avant d'utiliser cette machine.

Avant l'utilisation

Faites attention aux lignes électriques ou aux conduites de gaz et d'eau cachées. Vérifiez la zone de travail, par exemple à l'aide d'un détecteur de métaux.

Utilisez toujours la tension d'alimentation correcte! La tension de la source d'alimentation doit correspondre à la valeur indiquée sur la plaque signalétique de la machine.

Instructions d'utilisation

Changement d'outil Veillez à ce que le capuchon de protection contre la poussière (3) ne soit pas endommagé lors du changement d'outil.

Outils SDS-PLUS L'outil SDS-plus est conçu pour être librement mobile. Cela provoque une excentricité lorsque la machine est déchargée. Cependant, la foreuse se centre automatiquement pendant le fonctionnement. Cela n'affecte pas la précision du forage.

Insertion de

- Nettoyer et alléger l'outil avant de l'insérer.
- Insérez l'outil sans poussière dans le porte-outil (2) en le tournant jusqu'à ce qu'il s'enclenche.
- L'outil se verrouille tout seul. Vérifiez le verrouillage en tirant sur l'outil.

Suppression de

- Tirez la douille de verrouillage (4) vers l'arrière et maintenez-la pendant que vous retirez l'outil.

Outils non SDS-PLUS

N'utilisez pas d'outils sans SDS-plus pour le martelage ou le burinage!

Mise en marche et arrêt

Mise en marche : Appuyez sur l'interrupteur ON - OFF (8).

Arrêt de l'appareil : Relâchez l'interrupteur ON - OFF (8).

Embrayage de surcharge

Si la mèche se bloque ou se coince, l'entraînement de la broche de forage est interrompu.

- En raison des forces qui en résultent, tenez toujours la machine à deux mains et adoptez une position sûre. La machine doit être utilisée uniquement avec une poignée auxiliaire.

Poignée auxiliaire (6)

La rotation de la poignée permet d'obtenir une position de travail sûre. Desserrez et tournez la fixation de la poignée dans le sens inverse des aiguilles d'une montre. Serrez ensuite la poignée.


Butée de profondeur (5)

Desserrez la vis à ailettes de la poignée auxiliaire (6). Réglez la profondeur de perçage sur la butée de profondeur (5). Resserrez la vis à ailettes.


Modes de fonctionnement

AVERTISSEMENT ! Lorsque vous changez de mode de fonctionnement, appuyez légèrement sur l'interrupteur ON/OFF.

1. Mode marteau perforateur :

Tournez le sélecteur de mode (7) sur le mode "  " (voir Fig.1).

2. Mode burinage

Tournez le sélecteur de mode (7) sur le mode "  " (voir Fig.1).

3. Changement de la position du burinage  (voir Fig.1)

Le ciseau peut être verrouillé dans différentes positions. De cette façon, la position de travail optimale peut être réglée pour chaque application. Insérez le ciseau dans le porte-outil. Réglez l'angle souhaité de la mèche du ciseau, puis repassez en mode ciseau.

4. Perçage  (voir Fig.1)

Tournez le sélecteur sur cette position afin d'activer le mécanisme de perçage. L'action de martelage n'est pas engagée lorsque ce mode est sélectionné.

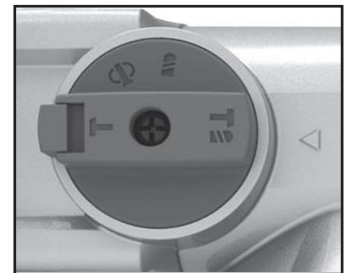


Fig.1

Entretien et nettoyage

AVERTISSEMENT : Avant toute intervention sur la machine elle-même, débranchez la fiche secteur.

Pour un travail sûr et correct, gardez toujours la machine et les fentes de ventilation propres. Nettoyez quotidiennement le support d'outil.

Remplacement du capuchon de protection contre la poussière

Les capuchons anti-poussière endommagés doivent être remplacés dans la mesure du possible car la poussière qui pénètre dans le porte-outil peut provoquer des dysfonctionnements. Tirez vers l'arrière et maintenez la douille de verrouillage en retirant le capuchon anti-poussière 4 à l'aide d'un outil approprié.

Une fois le manchon de verrouillage tiré vers l'arrière, tirez sur le nouveau capuchon anti-poussière jusqu'à ce qu'il repose fermement sur le porte-outil et que le manchon de verrouillage puisse à nouveau être glissé vers l'avant.

Si, malgré le soin apporté à la fabrication et aux tests, la machine devait tomber en panne, la réparation doit être effectuée par un agent du service clientèle agréé pour les outils électriques Bormann.

ÉLIMINATION ENVIRONNEMENTALE

Afin d'éviter tout dommage pendant le transport, l'outil doit être livré dans un emballage solide. L'emballage ainsi que l'appareil et les accessoires sont fabriqués en matériaux recyclables et peuvent être éliminés en conséquence. Les composants en plastique de l'outil sont marqués en fonction de leur matériau, ce qui permet d'éliminer les déchets écologiques et différenciés grâce aux installations de collecte disponibles.

**Uniquement pour les pays de l'UE**

Ne pas jeter les outils électriques avec les déchets ménagers !

Conformément à la directive européenne 2002/96/CE relative aux déchets d'équipements électriques et électroniques et à sa mise en œuvre conformément à la législation nationale, les outils électriques arrivés en fin de vie doivent être collectés séparément et remis à une installation de recyclage compatible avec l'environnement.

Istruzioni di sicurezza

AVVERTENZA: leggere tutte le avvertenze di sicurezza e tutte le istruzioni.

La mancata osservanza di tutte le avvertenze e le istruzioni può provocare scosse elettriche, incendi e/o gravi lesioni.

Conservare tutte le avvertenze e le istruzioni per riferimento futuro

Il termine "utensile elettrico" nelle avvertenze si riferisce all'utensile a rete (a filo) o a batteria (a batteria).

Area di lavoro

- 1) Mantenere l'area di lavoro pulita e ben illuminata. Aree disordinate e buie favoriscono gli incidenti.
- 2) Non utilizzare gli utensili elettrici in atmosfere esplosive, ad esempio in presenza di liquidi, gas o polveri infiammabili. Gli utensili elettrici generano scintille che possono incendiare la polvere o i fumi.
- 3) Tenere lontani i bambini e gli astanti mentre si utilizza un elettro-utensile. Le distrazioni possono far perdere il controllo.

Sicurezza elettrica

- 1) Le spine degli utensili elettrici devono corrispondere alla presa di corrente. Non modificare mai la spina in alcun modo. Non utilizzare spine adattatrici con utensili elettrici dotati di messa a terra. Le spine non modificate e le prese corrispondenti riducono il rischio di scosse elettriche.
- 2) Evitare il contatto del corpo con superfici collegate a terra o a massa, come tubi, radiatori, cucine e frigoriferi. Il rischio di scosse elettriche aumenta se il corpo è collegato a terra.
- 3) Non esporre gli utensili elettrici alla pioggia o al bagnato. L'ingresso di acqua in un utensile elettrico aumenta il rischio di scosse elettriche.
- 4) Non abusare del cavo. Non utilizzare mai il cavo per trasportare, tirare o scollegare l'utensile elettrico. Tenere il cavo lontano da calore, olio, borditaglienti o parti in movimento. I cavi danneggiati o aggrovigliati aumentano il rischio di scosse elettriche.
- 5) Quando si utilizza un utensile elettrico all'aperto, utilizzare una prolunga adatta all'uso esterno. L'uso di un cavo adatto all'esterno riduce il rischio di scosse elettriche.
- 6) Se l'utilizzo di un elettro-utensile in un luogo umido è inevitabile, utilizzare un'alimentazione protetta da un dispositivo di corrente residua (RCD). L'uso di un RCD riduce il rischio di scosse elettriche.

Sicurezza personale

- 1) Quando si utilizza un elettro-utensile, occorre essere vigili, fare attenzione a ciò che si fa e usare il buon senso. Non utilizzare un utensile elettrico quando si è stanchi o sotto l'effetto di droghe, alcol o farmaci. Un momento di disattenzione durante l'uso di utensili elettrici può causare gravi lesioni personali.
- 2) Utilizzare l'attrezzatura di sicurezza. Indossare sempre una protezione per gli occhi. I dispositivi di sicurezza, come la maschera antipolvere, le scarpe di sicurezza antiscivolo, l'elmetto o le protezioni per l'udito, utilizzati in condizioni adeguate, ridurranno le lesioni personali.
- 3) Evitare l'avviamento accidentale. Assicurarsi che l'interruttore sia in posizione off prima di collegare la spina. Portare gli utensili elettrici con il dito sull'interruttore o collegare gli utensili elettrici con l'interruttore acceso favorisce gli incidenti.
- 4) Prima di accendere l'elettro-utensile, rimuovere la chiave di regolazione o la chiave. Una chiave o una chiave lasciata attaccata a una parte rotante dell'elettro-utensile può provocare lesioni personali.
- 5) Non sporgersi eccessivamente. Mantenere sempre una posizione corretta e un buon equilibrio. Ciò consente di controllare meglio l'elettro-utensile in situazioni impreviste.
- 6) Vestirsi in modo adeguato. Non indossare abiti larghi o gioielli. Tenere capelli, indumenti e guanti lontani dalle parti in movimento. Vestiti larghi, gioielli o capelli lunghi possono impigliarsi nelle parti in movimento.
- 7) Se sono previsti dispositivi per il collegamento di impianti di aspirazione e raccolta delle polveri, accertarsi che siano collegati e utilizzati correttamente. L'uso di questi dispositivi può ridurre i rischi legati alla polvere.

Uso e cura degli elettro-utensili

- 1) Non forzare l'elettro-utensile. Utilizzate l'elettro-utensile corretto per la vostra applicazione. L'elettro-utensile corretto svolgerà il lavoro in modo migliore e più sicuro alla velocità per cui è stato progettato.
- 2) Non utilizzare l'elettro-utensile se l'interruttore non lo accende e non lo spegne. Qualsiasi utensile elettrico che non può essere controllato con l'interruttore è pericoloso e deve essere riparato.
- 3) Scollegare la spina dalla fonte di alimentazione prima di effettuare qualsiasi regolazione, cambiare gli accessori o riporre gli utensili elettrici. Queste misure di sicurezza preventive riducono il rischio di avviare accidentalmente l'elettro-utensile.
- 4) Conservare gli utensili elettrici inattivi fuori dalla portata dei bambini e non permettere a persone che non conoscono l'utensile o le presenti istruzioni di utilizzarlo. Gli utensili elettrici sono pericolosi nelle mani di utenti non addestrati.
- 5) Manutenzione degli utensili elettrici. Controllare che non vi siano disallineamenti o impedimenti delle parti mobili, rotture di parti e qualsiasi altra condizione che possa influire sul funzionamento dell'elettro-utensile. Se danneggiato, far riparare l'elettro-utensile prima dell'uso. Molti incidenti sono causati da una cattiva manutenzione degli utensili elettrici.
- 6) Mantenere gli utensili da taglio affilati e puliti. Gli utensili da taglio sottoposti a una corretta manutenzione, con bordi taglienti affilati, hanno meno probabilità di legarsi e sono più facili da controllare.
- 7) Utilizzare l'elettro-utensile, gli accessori, le punte ecc. in conformità alle presenti istruzioni e nel modo previsto per il particolare tipo di elettro-utensile, tenendo conto delle condizioni di lavoro e dell'attività da svolgere. L'uso dell'elettro-utensile per operazioni diverse da quelle previste potrebbe causare situazioni di pericolo.

Servizio

Affidare la manutenzione dell'elettro-utensile a un tecnico qualificato che utilizzi esclusivamente parti di ricambio identiche. In questo modo si garantisce la sicurezza dell'elettro-utensile.

Avvertenze di sicurezza

- Indossare protezioni per le orecchie. L'esposizione al rumore può causare la perdita dell'udito.
- Utilizzare le impugnature ausiliarie, se fornite con l'utensile. La perdita di controllo può causare lesioni personali.
- Quando si esegue un'operazione in cui l'accessorio di taglio può entrare in contatto con cavi nascosti o con il proprio cavo, tenere l'elettro-utensile per mezzo di superfici di presa isolate. L'accessorio di taglio che entra in contatto con un filo "sotto tensione" può rendere "sotto tensione" le parti metalliche esposte dell'utensile elettrico e può provocare una scossa elettrica all'operatore.

Simboli - Pittogrammi



AVVERTENZA - Per ridurre il rischio di lesioni, l'utente deve leggere le istruzioni per l'uso.



Doppio isolamento.



Protezione dell'ambiente

I prodotti elettrici di scarto non devono essere smaltiti insieme ai rifiuti domestici, ma devono essere riciclati dove esistono le apposite strutture. Per informazioni sul riciclaggio, rivolgersi alle autorità locali o al rivenditore.

Dati tecnici

POTENZA IN INGRESSO:	1200W
VELOCITÀ DI NON SOGGIORNO:	1050 giri al minuto
TASSO DI IMPATTO:	4200bpm
ENERGIA D'IMPATTO:	5.0J
TIPO CHUCK:	SDS-PLUS
PESO:	4,50 kg
CAPACITÀ DI PERFORAZIONE:	- MASONERIA Ø32mm
	- ACCIAIO Ø13mm
	- LEGNO Ø40mm

* Il produttore si riserva il diritto di apportare modifiche minori al design e alle specifiche tecniche del prodotto senza preavviso, a meno che tali modifiche non influiscano in modo significativo sulle prestazioni e sulla sicurezza dei prodotti. Le parti descritte/illustrate nelle pagine del manuale che avete tra le mani possono riguardare anche altri modelli della linea di prodotti del produttore con caratteristiche simili e potrebbero non essere incluse nel prodotto appena acquistato.

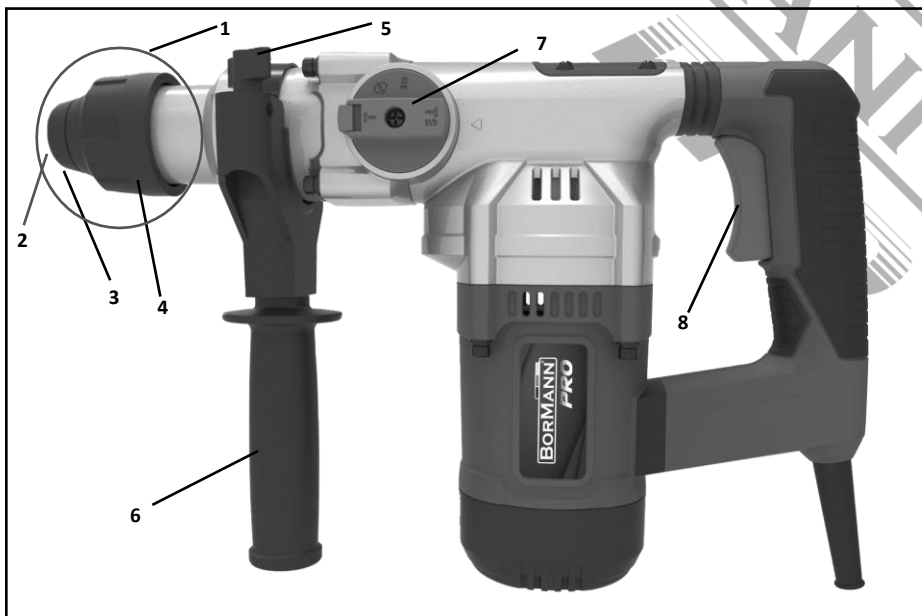
* Per garantire la sicurezza e l'affidabilità del prodotto e la validità della garanzia, tutti i lavori di riparazione, ispezione, riparazione o sostituzione, compresa la manutenzione e le regolazioni speciali, devono essere eseguiti esclusivamente da tecnici del servizio di assistenza autorizzato del produttore.

* Utilizzare sempre il prodotto con le apparecchiature in dotazione. L'uso del prodotto con apparecchiature non in dotazione può causare malfunzionamenti o addirittura lesioni gravi o morte. Il produttore e l'importatore non sono responsabili per lesioni e danni derivanti dall'uso di apparecchiature non conformi.

Uso previsto

La macchina è destinata alla foratura a percussione di calcestruzzo, mattoni e pietra. È inoltre adatta alla foratura senza percussione di legno, metallo, ceramica e plastica. L'utensile deve essere utilizzato solo per gli scopi previsti. Qualsiasi altro utilizzo è considerato un caso di uso improprio.

Descrizione delle parti principali



1. Mandrino SDS-plus
2. Portautensili (SDS-plus)
3. Cappuccio di protezione dalla polvere
4. Manicotto di bloccaggio
5. Arresto di profondità
6. Maniglia ausiliaria
7. Interruttore di selezione della modalità operativa
8. Interruttore On/Off

Non tutti gli accessori illustrati o descritti possono essere inclusi nella fornitura standard.

Ulteriori avvertenze di sicurezza

Lavorare in sicurezza con questa macchina è possibile solo se si leggono completamente le informazioni operative e di sicurezza e si seguono scrupolosamente le istruzioni in esse contenute.

Prima di utilizzarlo per la prima volta, chiedete una dimostrazione pratica.

Se il cavo viene danneggiato o tagliato durante il lavoro, non toccarlo ma staccare immediatamente la spina. Non utilizzare mai la macchina con un cavo danneggiato.

Indossare occhiali di sicurezza, guanti protettivi e scarpe robuste. Indossare protezioni per le orecchie per evitare danni all'udito.

La macchina non deve essere umida e non deve essere utilizzata in un ambiente umido. Tenere i capelli lunghi lontani dalla macchina.

Non operare indossando indumenti larghi.

- Collegare la spina di rete solo quando l'utensile è spento. Dopo l'uso, estrarre la spina di rete.
- Dirigere sempre il cavo verso la parte posteriore, lontano dalla macchina.
- Non trasportare la macchina per il cavo.
- Quando si lavora con la macchina, tenerla sempre saldamente con entrambe le mani e garantire una posizione sicura.
- Durante le pause di lavoro, quando non si utilizza la macchina o durante gli interventi sulla macchina stessa (ad esempio, cambio degli strumenti di lavoro, riparazioni, pulizia, regolazione), estrarre la spina di rete.
- L'uso di questa macchina è vietato ai minori di 16 anni.
- Tenere gli accessori dell'utensile fuori dalla portata dei bambini.
- Utilizzare solo accessori originali.

Rischi residui

Anche se l'utensile viene utilizzato come prescritto, non è possibile eliminare tutti i fattori di rischio residui. In relazione alla costruzione e alla progettazione dell'utensile possono insorgere i seguenti pericoli:

1. Danni ai polmoni se non si indossa una maschera antipolvere efficace.
2. Danni all'udito se non si indossano protezioni acustiche efficaci.
3. Difetti di salute derivanti dall'emissione di vibrazioni se l'elettrodotensile viene utilizzato per un periodo di tempo prolungato o se non viene gestito in modo adeguato e sottoposto a una corretta manutenzione.

Indossare una protezione per l'udito durante l'uso dell'elettrodotensile.

AVVERTENZA! Questa macchina produce un campo elettromagnetico durante il funzionamento. In alcune circostanze, questo campo può interferire con impianti medici attivi o passivi. Per ridurre il rischio di lesioni gravi o mortali, si raccomanda alle persone con impianti medici di consultare il proprio medico e il produttore dell'impianto medico prima di utilizzare questa macchina.

Prima dell'uso

Fare attenzione alle linee elettriche nascoste o alle tubature del gas e dell'acqua. Controllare l'area di lavoro, ad esempio con un metal detector.

Utilizzare sempre la tensione di alimentazione corretta!

La tensione della fonte di alimentazione deve corrispondere al valore indicato sulla targhetta della macchina.

Istruzioni per l'uso

Cambio utensile

Durante la sostituzione degli utensili, prestare attenzione a non danneggiare la protezione antipolvere (3).

Strumenti SDS-PLUS

L'utensile SDS-plus è progettato per essere liberamente spostabile.

Ciò provoca un'eccentricità quando la macchina viene scaricata. Tuttavia, il trapano si centra automaticamente durante il funzionamento. Ciò non influisce sulla precisione di foratura.

Inserimento

- Pulire e alleggerire l'utensile prima di inserirlo.
- Inserire l'utensile privo di polvere nel portautensili (2) ruotando fino all'aggancio.
- L'utensile si blocca da solo. Controllare il bloccaggio tirando l'utensile.

Rimozione

- Tirare il manicotto di bloccaggio (4) verso la parte posteriore e tenerlo fermo durante la rimozione dell'utensile.

Strumenti non SDS-PLUS

Non utilizzare utensili senza SDS-plus per la foratura a martello o la scalpellatura!

Accensione e spegnimento

Accensione: Premere l'interruttore ON - OFF (8).

Spegnimento: Rilasciare l'interruttore ON - OFF (8).

Frizione di sovraccarico

Se la punta si inceppa o si impiglia, l'azionamento del mandrino del trapano viene interrotto.

- A causa delle forze che ne derivano, tenere sempre la macchina con entrambe le mani e assumere una posizione sicura. La macchina deve essere utilizzata solo con un'impugnatura ausiliaria.

Maniglia ausiliaria (6)

Ruotando l'attacco dell'impugnatura è possibile ottenere una posizione sicura durante il lavoro. Allentare e ruotare l'impugnatura in senso antiorario. Quindi serrare l'attacco dell'impugnatura.


Arresto di profondità (5)

Allentare la vite ad alette dell'impugnatura ausiliaria (6). Regolare la profondità di foratura sull'arresto di profondità (5). Serrare nuovamente la vite ad alette.


Modalità operative

ATTENZIONE! Quando si cambia modalità di funzionamento, premere leggermente l'interruttore ON/OFF.

1. Modalità trapano a percussione:

Ruotare il selettore di modalità (7) in modalità "  " (vedere Fig. 1).

2. Modalità di scalpellatura

Ruotare il selettore di modalità (7) in modalità "  " (vedere Fig. 1).

3. Modifica della posizione di scalpellatura  (vedere Fig.1)

Lo scalpello può essere bloccato in diverse posizioni. In questo modo è possibile impostare la posizione di lavoro ottimale per ogni applicazione. Inserire lo scalpello nel portautensili.

Regolare l'angolo desiderato della punta a scalpello, quindi passare nuovamente alla modalità scalpello.

4. Foratura  (vedi Fig. 1)

Ruotare il selettore in questa posizione per attivare il meccanismo di foratura. L'azione di martellamento non è attivata quando è selezionata questa modalità.



Fig.1

Manutenzione e pulizia

AVVERTENZA: prima di qualsiasi intervento sulla macchina, staccare la spina di rete. Per lavorare in modo sicuro e corretto, mantenere sempre pulite la macchina e le fessure di ventilazione. Pulire quotidianamente il supporto dell'utensile.

Sostituzione del cappuccio di protezione dalla polvere

I cappucci antipolvere danneggiati devono essere sostituiti il più possibile, poiché la polvere che penetra nel portautensili può causare malfunzionamenti. Tirate indietro e tenete il manicotto di bloccaggio per estrarre il cappuccio antipolvere 4 con un attrezzo adatto.

Con il manicotto di bloccaggio tirato all'indietro, tirare il nuovo cappuccio antipolvere fino a quando si posiziona saldamente sul portautensili e il manicotto di bloccaggio può essere nuovamente fatto scorrere in avanti.

Se la macchina si guasta, nonostante la cura con cui è stata costruita e collaudata, la riparazione deve essere effettuata da un agente del servizio clienti autorizzato.

SMALTIMENTO AMBIENTALE

Per evitare danni durante il trasporto, l'utensile deve essere consegnato in un imballaggio solido. L'imballaggio, l'unità e gli accessori sono realizzati con materiali riciclabili e possono essere smaltiti di conseguenza. I componenti in plastica dell'utensile sono contrassegnati in base al materiale di cui sono composti, il che rende possibile l'eliminazione dei rifiuti ecologici e differenziati grazie alle strutture di raccolta disponibili.

**Solo per i paesi dell'UE**

Non smaltire gli utensili elettrici insieme ai rifiuti domestici!

In conformità alla direttiva europea 2002/96/CE sui rifiuti di apparecchiature elettriche ed elettroniche e alla sua attuazione in conformità alla legislazione nazionale, gli utensili elettrici giunti a fine vita devono essere raccolti separatamente e conferiti a un impianto di riciclaggio compatibile con l'ambiente.

Οδηγίες ασφαλείας

ΠΡΟΕΙΔΟΠΟΙΗΣΗ: Διαβάστε όλες τις οδηγίες ασφαλείας και τις προειδοποιήσεις. Η μη τήρηση όλων των προειδοποιήσεων και οδηγιών μπορεί να προκαλέσει ηλεκτροπληξία, πυρκαγιά ή/και σοβαρό τραυματισμό. Αποθηκεύστε όλες τις προειδοποιήσεις και τις οδηγίες για μελλοντική αναφορά. Ο όρος "ηλεκτρικό εργαλείο" στις προειδοποιήσεις αναφέρεται στο ηλεκτρικό εργαλείο που λειτουργεί με το δίκτυο (ενσύρματο) ή με μπαταρία (ασύρματο).

Χώρος εργασίας

- 1) Διατηρείτε το χώρο εργασίας καθαρό και επαρκώς φωτισμένο. Οι ακατάστατοι και σκοτεινοί χώροι προσκαλούν ατυχήματα.
- 2) Μην χρησιμοποιείτε ηλεκτρικά εργαλεία σε εκρηκτικές ατμόσφαιρες, όπως παρουσία εύφλεκτων υγρών, αερίων ή σκόνης. Τα ηλεκτρικά εργαλεία δημιουργούν σπινθήρες που μπορεί να αναφλέξουν τη σκόνη ή τους καπνούς.
- 3) Κρατήστε τα παιδιά και τους παρευρισκόμενους σε ασφαλή απόσταση κατά τη λειτουργία ηλεκτρικού εργαλείου. Η απόσπαση της προσοχής μπορεί να σας κάνει να χάσετε τον έλεγχο χειρισμού του εργαλείου.

Ηλεκτρική ασφάλεια

- 1) Τα βύσματα τροφοδοσίας των ηλεκτρικών εργαλείων πρέπει να ταιριάζουν με την πρίζα. Ποτέ μην τροποποιείτε το βύσμα με οποιονδήποτε τρόπο. Μην χρησιμοποιείτε κανένα τύπο αντάπτορα πρίζας με γειωμένα ηλεκτρικά εργαλεία. Τα μη τροποποιημένα βύσματα και οι συμβατές πρίζες θα μειώσουν τον κίνδυνο ηλεκτροπληξίας.
- 2) Αποφύγετε την επαφή του σώματος με γειωμένες επιφάνειες, όπως σωλήνες, θερμαντικά σώματα, κουζίνες και ψυγεία. Υπάρχει αυξημένος κίνδυνος ηλεκτροπληξίας εάν το σώμα σας είναι γειώνεται.
- 3) Μην εκθέτετε τα ηλεκτρικά εργαλεία σε βροχή ή σε συνθήκες υγρασίας. Το νερό που εισέρχεται σε ένα ηλεκτρικό εργαλείο αυξάνει τον κίνδυνο ηλεκτροπληξίας.
- 4) Προστατεύστε το καλώδιο από μηχανικές καταπονήσεις και καταστάσεις που μπορεί να προκαλέσουν φθορά ή βλάβη. Ποτέ μην χρησιμοποιείτε το καλώδιο για τη μεταφορά, το τράβηγμα ή την αποσύνδεση του ηλεκτρικού εργαλείου. Κρατήστε το καλώδιο μακριά από θερμότητα, λάδι, αιχμηρές άκρες ή κινούμενα μέρη. Τα κατεστραμμένα ή μπλεγμένα καλώδια αυξάνουν τον κίνδυνο ηλεκτροπληξίας.
- 5) Όταν χρησιμοποιείτε ένα ηλεκτρικό εργαλείο σε εξωτερικούς χώρους, χρησιμοποιήστε ένα καλώδιο προέκτασης κατάλληλο για χρήση σε εξωτερικούς χώρους. Η χρήση ενός καλωδίου κατάλληλου για εξωτερική χρήση μειώνει τον κίνδυνο ηλεκτροπληξίας.
- 6) Εάν η λειτουργία ενός ηλεκτρικού εργαλείου σε τοποθεσία με υψηλά ποσοστά υγρασίας είναι αναπόφευκτη, χρησιμοποιήστε μια παροχή με προστασία από υπολειπόμενο ρεύμα (RCD). Η χρήση συστήματος RCD μειώνει τον κίνδυνο ηλεκτροπληξίας.

Προσωπική ασφάλεια

- 1) Να είστε σε εγρήγορση, να προσέχετε τι κάνετε και να χρησιμοποιείτε την κοινή λογική όταν χειρίζεστε ένα ηλεκτρικό εργαλείο. Μην χρησιμοποιείτε ηλεκτρικό εργαλείο όταν είστε κουρασμένοι ή υπό την επήρεια ναρκωτικών, αλκοόλ ή φαρμάκων. Μια στιγμή απροσεξίας κατά το χειρισμό ηλεκτρικών εργαλείων μπορεί να οδηγήσει σε σοβαρό προσωπικό τραυματισμό.
- 2) Χρησιμοποιείτε εξοπλισμό ατομικής προστασίας. Φοράτε πάντα γυαλιά ή μάσκα προστασίας για τα μάτια. Ο εξοπλισμός προστασίας, όπως η μάσκα προστασίας από την σκόνη, τα αντιολισθητικά παπούτσια ασφαλείας, το κράνος ή τα ακουστικά προστασίας που χρησιμοποιείται για ανάλογα με τις απαιτήσεις της εκάστοτε εργασίας, θα μειώσει τους προσωπικούς τραυματισμούς.
- 3) Αποφύγετε την ακούσια ενεργοποίηση. Βεβαιωθείτε ότι ο διακόπτης βρίσκεται στη θέση απενεργοποίησης προτού συνδέσετε το βύσμα της συσκευής στην πρίζα. Η μεταφορά ηλεκτρικών εργαλείων με το δάχτυλο στο διακόπτη ή η σύνδεση ηλεκτρικών εργαλείων με το διακόπτη σε θέση ενεργοποίησης προκαλεί ατυχήματα.
- 4) Αφαιρέστε οποιοδήποτε κλειδί ή άλλο εργαλείο ρύθμισης πριν ενεργοποιήσετε το ηλεκτρικό εργαλείο. Ένα εργαλείο ρύθμισης που παραμένει συνδεδεμένο σε ένα περιστρεφόμενο μέρος του ηλεκτρικού εργαλείου μπορεί να προκαλέσει τραυματισμό.
- 5) Μην τεντώνετε προκειμένου να χρησιμοποιήσετε το ηλεκτρικό εργαλείο σε δυσπρόσιτα σημεία. Διατηρείτε πάντα σωστή στάση του σώματος και την ισορροπία σας. Αυτό επιτρέπει τον καλύτερο έλεγχο του ηλεκτρικού εργαλείου σε απροσδόκητες καταστάσεις.
- 6) Ντυθείτε με τον κατάλληλο ρουχισμό. Μην φοράτε φαρδιά ρούχα ή κοσμήματα. Κρατήστε τα μαλλιά, τα ρούχα και τα γάντια σας μακριά από τα κινούμενα μέρη. Τα χαλαρά ρούχα, τα κοσμήματα ή τα μακριά μαλλιά μπορεί να πιαστούν στα κινούμενα μέρη.
- 7) Εάν παρέχεται εξοπλισμός για τη σύνδεση συστημάτων αναρρόφησης και συλλογής σκόνης, βεβαιωθείτε ότι είναι συνδεδεμένος και χρησιμοποιείται σωστά. Η χρήση αυτών των συσκευών μπορεί να μειώσει τους κινδύνους που σχετίζονται με την εισπνοή σκόνης.

Χρήση και φροντίδα ηλεκτρικών εργαλείων

- 1) Μην υπερφορτώνετε το ηλεκτρικό εργαλείο. Χρησιμοποιήστε το σωστό ηλεκτρικό εργαλείο για την εφαρμογή σας. Το σωστό ηλεκτρικό εργαλείο θα κάνει τη δουλειά καλύτερα και ασφαλέστερα με τον ρυθμό για τον οποίο έχει σχεδιαστεί.
- 2) Μην χρησιμοποιείτε το ηλεκτρικό εργαλείο εάν ο διακόπτης δεν το ενεργοποιεί και δεν το απενεργοποιεί. Κάθε ηλεκτρικό εργαλείο που δεν μπορεί να ελεγχθεί με το διακόπτη είναι επικίνδυνο και πρέπει να επισκευαστεί.
- 3) Αποσυνδέστε το βύσμα τροφοδοσίας από την πρίζα πριν από οποιαδήποτε ρύθμιση, αλλαγή εξαρτημάτων ή την αποθήκευση των ηλεκτρικών εργαλείων. Αυτά τα προληπτικά μέτρα ασφαλείας μειώνουν τον κίνδυνο ακούσιας ενεργοποίησης του ηλεκτρικού εργαλείου.
- 4) Αποθηκεύετε τα αδρανή ηλεκτρικά εργαλεία μακριά από παιδιά και μην επιτρέπετε σε άτομα που δεν είναι εξοικειωμένα με το ηλεκτρικό εργαλείο ή τις παρούσες οδηγίες να χειρίζονται το ηλεκτρικό εργαλείο. Τα ηλεκτρικά εργαλεία είναι επικίνδυνα στα χέρια μη εκπαιδευμένων χειριστών.
- 5) Συντηρείτε τα ηλεκτρικά εργαλεία. Ελέγχετε για κακή ευθυγράμμιση ή μπλοκάρισμα των κινούμενων μερών, θραύση εξαρτημάτων και κάθε άλλη κατάσταση που μπορεί να επηρεάσει τη λειτουργία των ηλεκτρικών εργαλείων. Εάν έχει υποστεί ζημιά, επισκευάστε το ηλεκτρικό εργαλείο πριν από τη χρήση. Πολλά ατυχήματα προκαλούνται από κακώς συντηρημένα ηλεκτρικά εργαλεία.
- 6) Διατηρείτε τα εργαλεία κοπής αιχμηρά και καθαρά. Τα σωστά συντηρημένα κοπτικά εργαλεία με αιχμηρές ακμές κοπής είναι λιγότερο πιθανό να μπλοκάρουν και ελέγχονται ευκολότερα.
- 7) Χρησιμοποιείτε το ηλεκτρικό εργαλείο, τα εξαρτήματα και τα εργαλεία κ.λπ. σύμφωνα με τις παρούσες οδηγίες και με τον τρόπο που προβλέπεται για τον συγκεκριμένο τύπο ηλεκτρικού εργαλείου, λαμβάνοντας υπόψη τις συνθήκες εργασίας και την εργασία που πρόκειται να εκτελεστεί. Η χρήση του ηλεκτρικού εργαλείου για εργασίες διαφορετικές από τις προβλεπόμενες μπορεί να οδηγήσει σε επικίνδυνη κατάσταση.

Σέρβις 1) Παραδώστε για επισκευή, το ηλεκτρικό εργαλείο σας σε εξειδικευμένο επισκευαστή που χρησιμοποιεί μόνο πανομοιότυπα ανταλλακτικά.

Συμβουλές ασφαλείας

- Φορέστε ακουστικά προστασίας ή ωτοασπίδες. Η έκθεση σε θόρυβο μπορεί να προκαλέσει απώλεια ακοής.
- Χρησιμοποιήστε τη βοηθητική λαβή (ή τις βοηθητικές λαβές), εάν παρέχεται με το εργαλείο. Η απώλεια ελέγχου μπορεί να προκαλέσει προσωπικό τραυματισμό.
- Κρατάτε το ηλεκτρικό εργαλείο από μονωμένες επιφάνειες συγκράτησης, όταν εκτελείτε μια εργασία όπου το εξάρτημα κοπής μπορεί να έρθει σε επαφή με κρυφή καλωδίωση ή το δικό του καλώδιο τροφοδοσίας. Το εξάρτημα κοπής που έρχεται σε επαφή με "ηλεκτροφόρο" καλώδιο μπορεί να καταστήσει τα εκτεθειμένα μεταλλικά μέρη του ηλεκτρικού εργαλείου "ηλεκτροφόρα" και να προκαλέσει ηλεκτροπληξία στον χειριστή.

Σύμβολα - εικονογράμματα κινδύνου



ΠΡΟΕΙΔΟΠΟΙΗΣΗ - Για να μειωθεί ο κίνδυνος τραυματισμού, είναι απαραίτητο, ο χειριστής να διαβάσει το εγχειρίδιο οδηγιών προτού θέσει σε λειτουργία το ηλεκτρικό εργαλείο.



Διπλή μόνωση.



Προστασία του περιβάλλοντος

Τα μη λειτουργικά ηλεκτρικά προϊόντα δεν πρέπει να απορρίπτονται μαζί με τα οικιακά απορρίμματα, ανακυκλώστε τα παραδίδοντάς τα σε ειδικά σημεία συλλογής/ανακύκλωσης. Ενημερωθείτε από την τοπική αρχή ή τον έμπορο λιανικής πώλησης για συμβουλές ανακύκλωσης.

Τεχνικά χαρακτηριστικά

ΙΣΧΥΣ ΕΙΣΟΔΟΥ:	1200W
ΤΑΧΥΤΗΤΑ ΧΩΡΙΣ ΦΟΡΤΙΟ:	1050rpm
ΚΡΟΥΣΕΙΣ ΑΝΑ ΛΕΠΤΟ:	4200bpm
ΕΝΕΡΓΕΙΑ ΚΡΟΥΣΗΣ:	5.0J
ΤΥΠΟΣ ΤΣΟΚ:	SDS-PLUS
ΒΑΡΟΣ:	4.50kg
ΙΚΑΝΟΤΗΤΑ ΔΙΑΤΡΗΣΗΣ:	- ΤΟΙΧΟΠΟΙΙΑ Ø32mm
	- ΑΤΣΑΛΙ Ø13mm
	- ΞΥΛΟ Ø40mm

*Ο κατασκευαστής διατηρεί το δικαίωμα να πραγματοποιήσει δευτερεύουσες αλλαγές στο σχεδιασμό του προϊόντος και στα τεχνικά χαρακτηριστικά χωρίς προηγούμενη ειδοποίηση, εκτός εάν οι αλλαγές αυτές επηρεάζουν σημαντικά την απόδοση και λειτουργία ασφαλείας των προϊόντων. Τα εξαρτήματα που περιγράφονται / απεικονίζονται στις σελίδες του εγχειριδίου που κρατάτε στα χέρια σας ενδέχεται να αφορούν και σε άλλα μοντέλα της σειράς προϊόντων του κατασκευαστή, με παρόμοια χαρακτηριστικά, και ενδέχεται να μην περιλαμβάνονται στο προϊόν που μόλις αποκτήσατε.

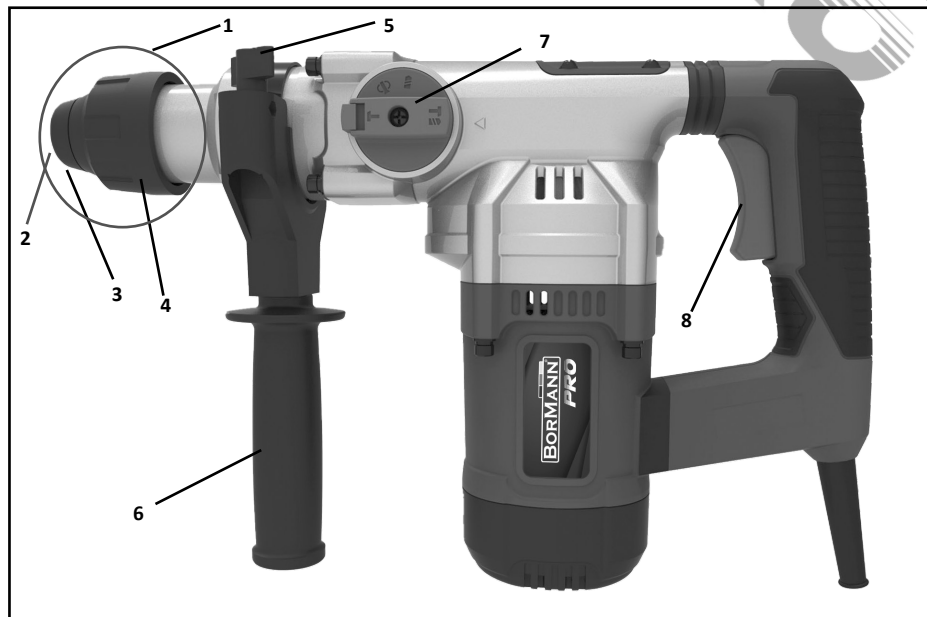
* Για να διασφαλιστεί η ασφάλεια και η αξιοπιστία του προϊόντος καθώς και η ισχύς της εγγύησης όλες οι εργασίες επιδιόρθωσης, ελέγχου, επισκευής ή αντικατάστασης συμπεριλαμβανομένης της συντήρησης και των ειδικών ρυθμίσεων, πρέπει να εκτελούνται μόνο από τεχνικούς του εξουσιοδοτημένου τμήματος Service του κατασκευαστή.

* Χρησιμοποιείτε πάντα το προϊόν με τον παρεχόμενο εξοπλισμό. Η λειτουργία του προϊόντος με μη-προβλεπόμενο εξοπλισμό ενδέχεται να προκαλέσει βλάβη ή ακόμα και σοβαρό τραυματισμό ή θάνατο. Ο κατασκευαστής και ο εισαγωγέας ουδεμία ευθύνη φέρει για τραυματισμούς και βλάβες που προκύπτουν από την χρήση μη προβλεπόμενου εξοπλισμού.

Σκοπούμενη χρήση

Το μηχάνημα προορίζεται για διάτρηση με κρούση σε σκυρόδεμα, τούβλα και άλλα υλικά τοιχοποιίας. Είναι επίσης κατάλληλο για διάτρηση χωρίς κρούση σε ξύλο, μέταλλο, δομικά υλικά και πλαστικό. Το εργαλείο πρέπει να χρησιμοποιείται μόνο για τον προβλεπόμενο σκοπό του. Οποιαδήποτε άλλη χρήση θεωρείται ως μη σκοπούμενη χρήση.

Περιγραφή βασικών τμημάτων



1. Τσόκ SDS-Plus
2. Υποδοχή σύνδεσης παρελκομένων (SDS-Plus)
3. Κάλυμμα προστασίας από τη σκόνη
4. Δακτύλιος ασφάλισης
5. Ρυθμιστής (Στοπ) βάρους διάτρησης
6. Βοηθητική λαβή
7. Επιλογέας λειτουργίας
8. Διακόπτης ενεργοποίησης/ απενεργοποίησης (ON/OFF)

Λόγω των διαφοροποιήσεων μεταξύ των μοντέλων, ενδέχεται να μην περιλαμβάνονται όλα τα αξεσουάρ που απεικονίζονται ή περιγράφονται στην αρχική συσκευασία.

Επιπρόσθετες συμβουλές ασφαλείας

Η ασφαλής εργασία με αυτό το ηλεκτρικό εργαλείο είναι δυνατή μόνο όταν διαβάζονται πλήρως οι οδηγίες λειτουργίας και ασφαλείας και όταν τηρούνται αυστηρά.

Πριν από την πρώτη χρήση, ζητήστε μια πρακτική επίδειξη.

Εάν το καλώδιο καταστραφεί ή κοπεί κατά την εργασία, μην αγγίζετε το καλώδιο αλλά διακόψτε την παροχή και αποσυνδέστε αμέσως το βύσμα τροφοδοσίας.

Ποτέ μην χρησιμοποιείτε ένα ηλεκτρικό καλώδιο που διαθέτει καλώδιο που έχει υποστεί βλάβη.

Φοράτε γυαλιά ασφαλείας, γάντια και παπούτσια προστασίας.

Φορέστε ακουστικά προστασίας για να αποφύγετε ενδεχόμενες βλάβες στην ακοή σας.

Το ηλεκτρικό εργαλείο δεν πρέπει να έρχεται σε επαφή με το νερό και να λειτουργεί σε χώρους με υψηλά ποσοστά υγρασίας.

Κρατήστε τα χέρια σας και μέλη του σώματός σας όπως τα μακριά μαλλιά σε ασφαλή απόσταση από το ηλεκτρικό εργαλείο.

Μην το χειρίζεστε φορώντας φαρδιά ρούχα.

• Συνδέετε το βύσμα τροφοδοσίας μόνο όταν το εργαλείο είναι απενεργοποιημένο. Μετά τη χρήση, αποσυνδέστε το βύσμα τροφοδοσίας.

• Κατευθύνετε πάντα το καλώδιο προς τα πίσω μακριά από το ηλεκτρικό εργαλείο.

• Μην μεταφέρετε το εργαλείο κρατώντας το από το καλώδιο.

• Όταν εργάζεστε με το ηλεκτρικό εργαλείο, κρατάτε το πάντα σταθερά και με τα δύο χέρια και βεβαιωθείτε πως η στάση του σώματός σας είναι σωστή.

• Κατά τη διάρκεια παύσεων στην εργασία, όταν δεν χρησιμοποιείται ή κατά τη διάρκεια εργασιών στο ίδιο το εργαλείο (π.χ. αλλαγή των εργαλείων εργασίας, επισκευές, καθαρισμός, ρύθμιση), αποσυνδέστε το βύσμα τροφοδοσίας από την πρίζα.

• Δεν επιτρέπεται ο χειρισμός αυτού του ηλεκτρικού εργαλείου σε άτομα κάτω των 16 ετών.

• Διατηρείτε τα εξαρτήματα των εργαλείων μακριά από παιδιά.

• Χρησιμοποιείτε μόνο γνήσια εξαρτήματα.

Εναπομείναντες κίνδυνοι

Ακόμη και όταν το εργαλείο χρησιμοποιείται σύμφωνα με τις οδηγίες, δεν είναι δυνατόν να εξαλειφθούν όλοι οι εναπομείναντες παράγοντες κινδύνου. Οι ακόλουθοι κίνδυνοι ενδέχεται να προκύψουν σε σχέση με την κατασκευή και το σχεδιασμό του εργαλείου:

1. Βλάβη στους πνεύμονες εάν δεν χρησιμοποιείται αποτελεσματική μάσκα προστασίας από την σκόνη.

2. Βλάβη στην ακοή εάν δεν χρησιμοποιείται αποτελεσματικός εξοπλισμός προστασίας της ακοής.

3. Βλάβες στην υγεία που προκύπτουν από την εκπομπή κραδασμών, εάν το ηλεκτρικό εργαλείο χρησιμοποιείται για μεγάλο χρονικό διάστημα ή εάν δεν γίνεται επαρκής διαχείριση και δεν συντηρείται σωστά.

Φοράτε εξοπλισμό προστασίας της ακοής κατά τη λειτουργία του ηλεκτρικού εργαλείου.

ΠΡΟΕΙΔΟΠΟΙΗΣΗ! Αυτό το ηλεκτρικό εργαλείο παράγει ηλεκτρομαγνητικό πεδίο κατά τη λειτουργία του. Αυτό το πεδίο μπορεί υπό ορισμένες συνθήκες να επηρεάσει ενεργά ή παθητικά ιατρικά εμφυτεύματα. Για να μειωθεί ο κίνδυνος σοβαρού ή θανατηφόρου τραυματισμού, συνιστούμε στα άτομα με ιατρικά εμφυτεύματα να συμβουλευθούν τον γιατρό τους και τον κατασκευαστή των ιατρικών εμφυτευμάτων πριν από τη λειτουργία αυτού του εργαλείου.

Πριν από τη χρήση

Προσέξτε τις κρυφές ηλεκτρικές καλωδιώσεις ή τους σωλήνες αερίου και νερού. Ελέγξτε την περιοχή εργασίας, π.χ. με ανιχνευτή μετάλλων.

Χρησιμοποιείτε πάντα τη σωστή τάση τροφοδοσίας!

Η τάση της παροχής τροφοδοσίας πρέπει να συμφωνεί με την τιμή που αναγράφεται στην πινακίδα τύπου του ηλεκτρικού εργαλείου.

Οδηγίες λειτουργίας

Αλλαγή παρελκομένων

Κατά την αλλαγή των παρελκομένων (τροπάνια, καλέμια κ.α) θα πρέπει να προσέχετε ώστε να μην προκαλέσετε βλάβη στο κάλυμμα προστασίας από τη σκόνη (3) κατά την αλλαγή εργαλείων.

Παρελκόμενα διάτρησης SDS-PLUS

Τα παρελκόμενα SDS-PLUS έχουν σχεδιαστεί έτσι ώστε να μπορούν να κάνουν ελεύθερη μετακίνηση.

Αυτό προκαλεί εκκεντρότητα όταν το μηχάνημα εκφορτώνεται. Ωστόσο, το τροπάνι κεντράρεται αυτόματα κατά τη διάρκεια της λειτουργίας. Αυτό δεν επηρεάζει την ακρίβεια διάτρησης.

Τοποθέτηση των παρελκομένων στο τσόκ

• Καθαρίστε και λιπάνετε ελαφρά το εργαλείο πριν το τοποθετήσετε.

• Τοποθετήστε το παρελκόμενο σκόνη στην υποδοχή σύνδεσης εργαλείων (2) περιστρέφοντάς το μέχρι να ασφαλίσει.

• Το παρελκόμενο ασφαλίζει μόνο του. Βεβαιωθείτε πως έχει ασφαλίσει σωστά τραβώντας το παρελκόμενο με το χέρι σας.

Αφαίρεση των παρελκομένων από το τσόκ

• Τραβήξτε τον δακτύλιο ασφάλισης (4) προς τα πίσω και κρατήστε τον σε αυτή την θέση ενώ αφαιρείτε το παρελκόμενο.

Μη συμβατά παρελκόμενα με το σύστημα SDS-PLUS

Μη χρησιμοποιείτε μη συμβατά εργαλεία με το σύστημα SDS-PLUS για εργασίες διάτρησης με κρούση ή καλέμισμα!

Ενεργοποίηση/απενεργοποίηση (ON/OFF)

Ενεργοποίηση: Πατήστε την σκανδάλη ON - OFF (8).

Απενεργοποίηση: Απελευθερώστε την σκανδάλη ON - OFF (8).

Συμπλέκτης υπερφόρτωσης

Εάν το τρυπάνι μπλοκάρει ή παγιδευτεί, η κίνηση προς την άτρακτο του τρυπανιού διακόπτεται.

• Εξαιτίας των δυνάμεων που εμφανίζονται ως αποτέλεσμα, κρατάτε πάντα το πιστολέτο και με τα δύο χέρια και παίρνετε ασφαλή στάση. Το πιστολέτο πρέπει να χρησιμοποιείται μόνο με μια βοηθητική λαβή.

Βοηθητική λαβή (6)

Μπορείτε να εξασφαλίσετε μια ασφαλή θέση κατά την εργασία ρυθμίζοντας την βοηθητική χειρολαβή (6). Χαλαρώστε την χειρολαβή, ρυθμίστε την στην επιθυμητή θέση και έπειτα ασφαλίστε την στην θέση αυτή περιστρέφοντάς την δεξιόστροφα.

Ρυθμιστής (στόπ) βάθους διάτρησης (5)

Χαλαρώστε την πεταλούδα σύσφιξης στη βοηθητική λαβή (6). Ρυθμίστε το βάθος διάτρησης στο στοπ (5). Σφίξτε ξανά την πεταλούδα σύσφιξης.

Επιλογή λειτουργίας

ΠΡΟΕΙΔΟΠΟΙΗΣΗ! Κατά την εναλλαγή των τρόπων λειτουργίας πατήστε ελαφρά την σκανδάλη ON/OFF.

1. Διάτρηση με κρούση

Πατήστε το κουμπί του επιλογέα λειτουργίας (7) και γυρίστε τον στην θέση "T" (βλέπε Εικ.1).

2. Λειτουργία καλεμίσματος

Πατήστε το κουμπί του επιλογέα λειτουργίας (7) και γυρίστε τον στην θέση "T" (βλέπε Εικ.1).

3. Ρύθμιση της θέσης του παρελκομένου (βλέπε Εικ.1)

Το συνδεδεμένο παρελκόμενο (πχ. καλέμι) μπορεί να ασφαλιστεί σε διαφορετικές θέσεις. Με αυτόν τον τρόπο μπορεί να ρυθμιστεί η βέλτιστη θέση εργασίας για κάθε εφαρμογή. Τοποθετήστε το παρελκόμενο στην υποδοχή σύνδεσης παρελκομένων του τσόκ.

Ρυθμίστε την επιθυμητή γωνία του παρελκομένου (πχ.καλέμι) και, στη συνέχεια, μεταβείτε ξανά στη λειτουργία καλεμίσματος.

4. Διάτρηση (βλέπε Εικ.1)

Γυρίστε τον επιλογέα σε αυτή τη θέση για να ενεργοποιήσετε το μηχανισμό διάτρησης. Η λειτουργία κρούσης είναι απενεργοποιημένη όταν είναι επιλεγμένη αυτή η λειτουργία.



Εικ.1

Συντήρηση και καθαρισμός

ΠΡΟΕΙΔΟΠΟΙΗΣΗ: Πριν από οποιαδήποτε εργασία στο ίδιο το ηλεκτρικό εργαλείο, αποσυνδέστε το βύσμα τροφοδοσίας από το ηλεκτρικό δίκτυο.

Για την ασφαλή και σωστή λειτουργία, διατηρείτε πάντα τις επιφάνειες του πιστολέτου και τους αεραγωγούς του καθαρούς.

Καθαρίζετε το τσόκ του εργαλείου έπειτα από κάθε χρήση.

Αντικατάσταση του καλύμματος προστασίας από τη σκόνη

Τα κατεστραμμένα καλύμματα προστασίας από τη σκόνη πρέπει να αντικαθίστανται όσο το δυνατόν συχνότερα, καθώς η σκόνη που εισέρχεται στο τσόκ του εργαλείου μπορεί να προκαλέσει προβλήματα λειτουργίας ή βλάβη.

Τραβήξτε προς τα πίσω και κρατήστε σε αυτή την θέση τον δακτύλιο ασφάλισης, τραβήξτε το κάλυμμα προστασίας από την σκόνη με ένα κατάλληλο εργαλείο.

Με τον δακτύλιο ασφάλισης τραβηγμένο προς τα πίσω, τοποθετήστε το νέο κάλυμμα προστασίας από την σκόνη μέχρι να εφαρμόσει σταθερά πάνω στον στο τσόκ του εργαλείου και έπειτα βεβαιωθείτε πως ο δακτύλιος ασφάλισης να μπορεί και πάλι να ολισθήσει προς τα εμπρός.

Εάν το μηχανήμα παρουσιάσει βλάβη παρά την προσοχή που έχει ληφθεί κατά την κατασκευή και τον έλεγχο, η επισκευή πρέπει να πραγματοποιηθεί από εξουσιοδοτημένο τμήμα σέρβις.

ΑΠΟΡΡΙΨΗ ΣΤΟ ΠΕΡΙΒΑΛΛΟΝ

Προκειμένου να αποφευχθούν ζημιές κατά τη μεταφορά, το εργαλείο πρέπει να παραδίδεται σε στερεά συσκευασία. Η συσκευασία καθώς και η μονάδα και τα εξαρτήματα είναι κατασκευασμένα από ανακυκλώσιμα υλικά και μπορούν να απορριφθούν αναλόγως. Τα πλαστικά εξαρτήματα του εργαλείου φέρουν σήμανση ανάλογα με το υλικό τους, γεγονός που καθιστά δυνατή την απομάκρυνση φιλικών προς το περιβάλλον και διαφοροποιημένων λόγω των διαθέσιμων εγκαταστάσεων συλλογής.



Μόνο για χώρες της Ευρωπαϊκής Ένωσης

Μην πετάτε τα ηλεκτρικά εργαλεία μαζί με τα οικιακά απορρίμματα!

Σύμφωνα με την Ευρωπαϊκή Οδηγία 2002/96/ΕΚ για τα απόβλητα ηλεκτρικού και ηλεκτρονικού εξοπλισμού και την εφαρμογή της σύμφωνα με την εθνική νομοθεσία, τα ηλεκτρικά εργαλεία που έχουν φτάσει στο τέλος της ζωής τους πρέπει να συλλέγονται χωριστά και να επιστρέφονται σε μια περιβαλλοντικά συμβατή εγκατάσταση ανακύκλωσης.

Инструкции за безопасност

ПРЕДУПРЕЖДЕНИЕ: Прочетете всички предупреждения за безопасност и всички инструкции.

Неспазването на всички предупреждения и инструкции може да доведе до токов удар, пожар и/или сериозно нараняване.

Запазете всички предупреждения и инструкции за бъдещи справки Терминът "електроинструмент" в предупрежденията се отнася за вашия електроинструмент, захранван от електрическата мрежа (с кабел), или за електроинструмент, захранван от батерия (с акумулатор).

Работна зона

- 1) Поддържайте работната зона чиста и добре осветена. Затрупаните и тъмни места са предпоставка за инциденти.
- 2) Не работете с електроинструменти във взривоопасна атмосфера, например в присъствието на запалими течности, газове или прах. Електроинструментите създават искри, които могат да възпламенят праха или изпаренията.
- 3) Пазете децата и страничните лица настрана, докато работите с електроинструмента. Отвличането на вниманието може да доведе до загуба на контрол.

Електрическа безопасност

- 1) Щепселите на електроинструментите трябва да съответстват на контакта. Никога не променяйте щепсела по какъвто и да е начин. Не използвайте никакви адаптерни щепсели със заземени (заземени) електроинструменти. Немодифицираните щепсели и съответстващите контакти ще намалят риска от токов удар.
- 2) Избягвайте контакт на тялото със заземени повърхности, като тръби, радиатори, печки и хладилници. Съществува повишен риск от токов удар, ако тялото ви е заземено или заземено.
- 3) Не излагайте електроинструментите на дъжд или влага. Навлизането на вода в електроинструмента увеличава риска от токов удар.
- 4) Не злоупотребявайте с кабела. Никога не използвайте кабела за пренасяне, дърпане или изключване на електроинструмента. Пазете кабела от топлина, масло, остри ръбове или движещи се части. Повредените или заплетени шнурове увеличават риска от токов удар.
- 5) Когато работите с електроинструмент на открито, използвайте удължител, подходящ за употреба на открито. Използването на кабел, подходящ за употреба на открито, намалява риска от токов удар.
- 6) Ако работата с електроинструменти на влажно място е неизбежна, използвайте захранване, защитено с устройство за защита от остатъчен ток (RCD). Използването на RCD намалява риска от токов удар.

Лична безопасност

- 1) Бъдете нащрек, внимавайте какво правите и използвайте здрав разум, когато работите с електроинструмент. Не използвайте електроинструмент, когато сте уморени или под въздействието на наркотици, алкохол или лекарства. Момент на невнимание по време на работа с електроинструменти може да доведе до сериозно нараняване на хора.
- 2) Използвайте оборудване за безопасност. Винаги носете предпазни средства за очите. Оборудването за безопасност, като например маска против прах, нехлъзгащи се предпазни обувки, твърда шапка или защита на слуха, използвани при подходящи условия, ще намалят нараняванията.
- 3) Избягвайте случайното стартиране. Уверете се, че превключвателят е в изключено положение, преди да включите уреда. Пренасянето на електроинструменти с пръст върху превключвателя или включването на електроинструменти, които са с включен превключвател, приканва към инциденти.
- 4) Преди да включите електроинструмента, отстранете всички регулиращи ключове или гаечни ключове. Ключ или гаечен ключ, оставен прикрепен към въртяща се част на електроинструмента, може да доведе до телесни повреди.
- 5) Не прекалявайте. Поддържайте правилна стойка и равновесие през цялото време. Това дава възможност за по-добър контрол на електроинструмента в неочаквани ситуации.
- 6) Облечете се подходящо. Не носете свободни дрехи или бижута. Дръжте косата, дрехите и ръкавиците си далеч от движещите се части. Свободните дрехи, бижутата или дългата коса могат да бъдат захванати от движещите се части.
- 7) Ако са предвидени устройства за свързване на съоръжения за извличане и събиране на прах, уверете се, че те са свързани и се използват правилно. Използването на тези устройства може да намали опасностите, свързани с праха.

Използване и грижа за електроинструменти

- 1) Не насилвайте електроинструмента. Използвайте подходящия електроинструмент за вашето приложение. Правилният електроинструмент ще свърши работата по-добре и по-безопасно със скоростта, за която е проектиран.
- 2) Не използвайте електроинструмента, ако превключвателят не го включва и изключва. Всеки електроинструмент, който не може да се управлява с превключвателя, е опасен и трябва да се ремонтира.
- 3) Изключете щепсела от източника на захранване, преди да извършвате каквито и да било настройки, да сменят аксесоари или да съхраняват електроинструменти. Тези превантивни мерки за безопасност намаляват риска от случайно стартиране на електроинструмента.
- 4) Съхранявайте неработещите електроинструменти на място, недостъпно за деца, и не позволявайте на лица, които не са запознати с електроинструмента или с тези инструкции, да работят с него. Електроинструментите са опасни в ръцете на необучени потребители.
- 5) Поддържайте ане на електрически инструменти. Проверявайте за несъсност или обвързване на движещите се части, счупване на части и всякакви други условия, които могат да повлияят на работата на електроинструментите. Ако е повреден, поправете електроинструмента преди употреба. Много злополуки се причиняват от лошо поддържани електрически инструменти.
- 6) Поддържайте режещите инструменти остри и чисти. Правилно поддържаните режещи инструменти с остри режещи ръбове е по-малко вероятно да се заклеят и са по-лесни за управление;
- 7) Използвайте електроинструмента, принадлежностите, крайниците и др. в съответствие с тези инструкции и по начина, предвиден за конкретния тип електроинструмент, като се съобразявате с условията на работа и извършваната работа. Използването на електроинструмента за операции, различни от предвидените, може да доведе до опасна ситуация.

Услуга

Възложете сервизното обслужване на електроинструмента на квалифициран сервизен специалист, който използва само идентични резервни части. Това ще гарантира, че безопасността на електроинструмента е запазена.

Предупреждения за безопасност

- Носете протектори за уши. Излагането на шум може да доведе до загуба на слуха.
- Използвайте спомагателната(ите) дръжка(и), ако са доставени с инструмента. Загубата на контрол може да доведе до нараняване на хора.
- Дръжте електроинструмента за изолираните повърхности за захващане, когато извършвате операция, при която режещият аксесоар може да влезе в контакт със скрити кабели или със собствения си кабел. Контактът на режещия аксесоар с проводник "под напрежение" може да направи откритите метални части на електроинструмента "под напрежение" и да доведе до токов удар за оператора.

Символи - Пиктограми



ПРЕДУПРЕЖДЕНИЕ - За да се намали рискът от нараняване, потребителят трябва да прочете ръководството за употреба.



Опазване на околната среда

Отпадъците от електрически продукти не трябва да се изхвърлят заедно с битовите отпадъци, моля, рециклирайте ги там, където има съоръжения. Консултирайте се с местната администрация или търговеца на дребно за съвети за рециклиране.



Двойна изолация.

Технически данни

ВХОДНА МОЩНОСТ:	1200W
НЕОБХОДИМА СКОРОСТ:	1050 об/мин
СТЕПЕН НА ВЪЗДЕЙСТВИЕ:	4200bpm
ЕНЕРГИЯ НА ВЛИЯНИЕТО:	5.0J
ТИП ШУНК:	SDS-PLUS
ТЕГЛО:	4,50 кг
КАПАЦИТЕТ ЗА ПРОБИВАНЕ:	- Масонска зидария Ø32mm
	- СТОМАНА Ø13mm
	- ДЪРВО Ø40mm

* Производителят си запазва правото да прави незначителни промени в дизайна и техническите спецификации на продуктите без предварително уведомление, освен ако тези промени не засягат значително работата и безопасността на продуктите. Частите, описани/илюстрирани на страниците на ръководството, което държите в ръцете си, може да се отнасят и за други модели от продуктова линия на производителя с подобни характеристики и може да не са включени в току-що придобития от вас продукт.

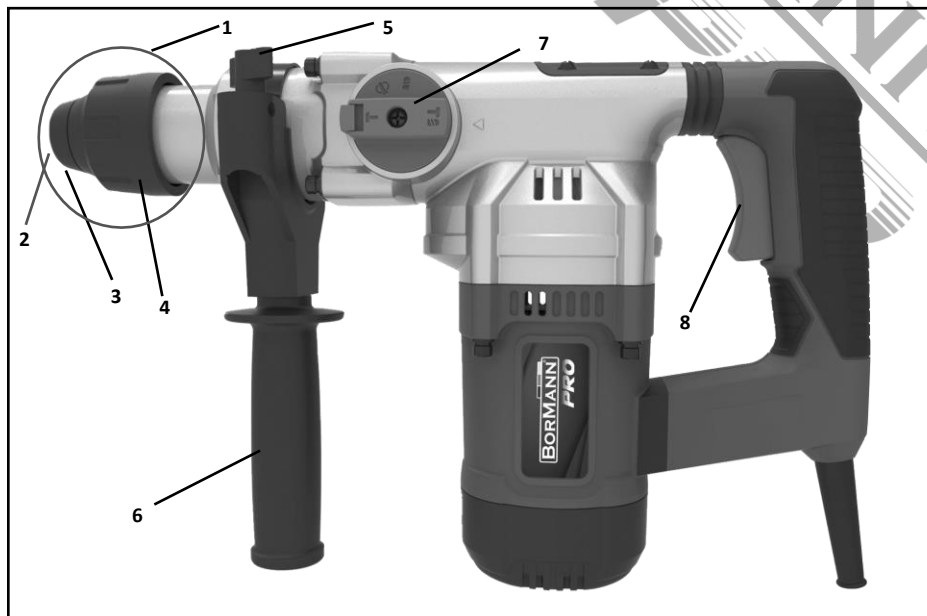
* За да се гарантира безопасността и надеждността на продукта, както и валидността на гаранцията, всички дейности по ремонт, проверка, поправка или замяна, включително поддръжка и специални настройки, трябва да се извършват само от техници от оторизирания сервизен отдел на производителя.

* Винаги използвайте продукта с доставеното оборудване. Работата на продукта с неосигурено оборудване може да доведе до неизправности или дори до сериозни наранявания или смърт. Производителят и вносителът не носят отговорност за наранявания и щети, възникнали в резултат на използването на несъответстващо на изискванията оборудване.

Предназначение

Машината е предназначена за пробиване с чук в бетон, тухли и камък. Тя е подходяща и за пробиване без удар в дърво, метал, керамика и пластмаса. Инструментът трябва да се използва само за определеното му предназначение. Всяко друго използване се счита за неправилна употреба.

Описание на основните части



1. SDS-plus патронник
2. Държач за инструменти (SDS-plus)
3. Защитна капачка срещу прах
4. Заклучваща втулка
5. Ограничител на дълбочината
6. Спомагателна дръжка
7. Превключвател за избор на работен режим
8. Превключвател за включване/изключване

Не всички илюстрирани аксесоари или описани в стандартната доставка.

Допълнителни предупреждения за безопасност

Безопасната работа с тази машина е възможна само при пълно прочитане на информацията за експлоатация и безопасност и стриктно спазване на съдържащите се в нея инструкции.

Преди да започнете работа за първи път, поискайте практическа демонстрация.

Ако кабелът се повреди или пререже по време на работа, не докосвайте кабела, а незабавно издърпайте щепсела от електрическата мрежа. Никога не използвайте машината с повреден кабел.

Носете предпазни очила, защитни ръкавици и стабилни

обувки. Носете предпазни средства за уши, за да

предотвратите увреждане на слуха си.

Машината не трябва да е влажна и не трябва да се експлоатира във влажна

среда. Дръжте дългата коса далеч от машината.

Не работете с него, докато носите свободно облекло.

● Свързвайте щепсела към електрическата мрежа само когато инструментът е изключен. След употреба издърпайте щепсела от електрическата мрежа.

● Винаги насочвайте кабела назад, далеч от машината.

● Не пренасяйте машината за кабела.

● Когато работите с машината, винаги я дръжте здраво с двете си ръце и осигурете сигурна стойка.

● По време на паузи в работата, когато не се използва или по време на работа по самата машина (напр. смяна на работните инструменти, ремонт, почистване, регулиране), извадете щепсела от електрическата мрежа.

● Лица под 16-годишна възраст нямат право да работят с тази машина.

● Съхранявайте принадлежностите на инструмента на място, недостъпно за деца.

● Използвайте само оригинални аксесоари.

Остатъчни рискове

Дори когато инструментът се използва според предписанията, не е възможно да се елиминират всички остатъчни рискови фактори. Следните опасности могат да възникнат във връзка с конструкцията и дизайна на инструмента:

1. Увреждане на белите дробове, ако не се носи ефективна противопрахова маска.

2. Увреждане на слуха, ако не се носи ефективна защита на слуха.

3. Здравни дефекти, причинени от вибрации, ако електроинструментът се използва за по-дълъг период от време или не се управлява и поддържа правилно.

Носете защита на слуха, докато работите с електроинструмента.

ПРЕДУПРЕЖДЕНИЕ! Тази машина създава електромагнитно поле по време на работа. При определени обстоятелства това поле може да попречи на активни или пасивни медицински импланти. За да се намали рискът от сериозни или фатални наранявания, препоръчваме на лица с медицински импланти да се консултират с лекаря си и с производителя на медицинския имплант, преди да работят с тази машина.

Преди употреба

Внимавайте за скрити електрически линии или газове и водопроводни тръби. Проверете работната зона, например с металотърсач.

Винаги използвайте правилното захранващо напрежение!

Напрежението на източника на захранване трябва да съответства на стойността, посочена на табелката с имената на машината.

Инструкции за експлоатация

Смяна на инструменти

Внимавайте предпазната капачка за прах (3) да не се повреди при смяната на инструментите.

Инструменти SDS-PLUS

Инструментът SDS-plus е проектиран така, че да може да се движи свободно.

Това води до ексцентрицитет при разтоварване на машината. По време на работа обаче сеялката автоматично се центрира. Това не се отразява на точността на пробиване.

Вмъкване на

● Почистете и олекотете инструмента преди да го поставите.

● Поставете безпраховия инструмент в държача за инструменти (2) с усукване, докато се застопори.

● Инструментът се заключва. Проверете заключването, като издърпате инструмента.

Премахване на

● Издърпайте заключващата втулка (4) назад и я задръжте, докато сваляте инструмента.

Инструменти, различни от SDS-PLUS

Не използвайте инструменти без SDS-plus за пробиване или къртене с чук!

Включване и изключване

Включване: Натиснете превключвателя за включване и изключване (8). Изключване: Освободете превключвателя за включване и изключване (8).

Съединител за претоварване

Ако свредлото се заклеци или хване, задвижването на шпиндела се прекъсва.

- Поради възникващите в резултат на това сили винаги дръжте машината с двете си ръце и заемайте сигурна позиция. Машината трябва да се използва само със спомагателна дръжка.

Спомагателна дръжка (6)

Можете да заемете безопасна позиция по време на работа, като завъртите приставката на дръжката. Разхлабете и завъртете приставката за дръжката в посока, обратна на часовниковата стрелка. След това затегнете приставката на дръжката.

Ограничител на дълбочината (5)

Разхлабете крилчатия винт на спомагателната дръжка (6). Регулирайте дълбочината на пробиване върху ограничителя за дълбочина (5). Затегнете отново крилчатия винт.

Режими на работа

ПРЕДУПРЕЖДЕНИЕ! При превключване на режимите на работа задействайте леко превключвателя за включване/изключване.

1. Режим на пробиване с чука

Завъртете превключвателя за избор на режим (7) в положение "  " (вж. фиг.1).

2. Режим на изсичане

Завъртете превключвателя за избор на режим (7) в положение "  " (вж. фиг.1).

3. Промяна на положението на длетото



(вж. фиг.1)

Длетото може да се фиксира в различни позиции. По този начин може да се зададе оптималната работна позиция за всяко приложение. Поставете длетото в държача за инструменти. Настройте желания ъгъл на длетото, след което превключете отново в режим на длето.

4. Пробиване (вж. фиг. 1)

Завъртете селектора в тази позиция, за да активирате механизма за пробиване. Когато е избран този режим, не се задейства ударното действие.



Фиг.1

Поддръжка и почистване

ПРЕДУПРЕЖДЕНИЕ: Преди всякаква работа по самата машина извадете щепсела от електрическата мрежа.

За безопасна и правилна работа винаги поддържайте машината и вентилационните отвори чисти. Ежедневно почиствайте държача за инструменти.

Смяна на капачката за защита от прах

Повредените капачки за защита от прах трябва да се заменят при възможност, тъй като прахът, който попада в държача на инструмента, може да причини неизправности. Издърпайте назад и задържете заключващата втулка, за да свалите капачката за защита от прах 4 с подходящ инструмент.

С издърпана назад блокираща втулка издърпайте новата капачка за прах, докато тя застане плътно върху държача на инструмента и блокиращата втулка може отново да се плъзне напред. Ако машината се повреди въпреки грижите, положени при производството и тестването, ремонтът трябва да бъде извършен от оторизиран представител за обслужване на клиенти.

ЕКОЛОГИЧНО ОБЕЗВРЕЖДАНЕ

За да се избегнат повреди при транспортиране, инструментът трябва да се достави в здрава опаковка. Опаковката, както и устройството и аксесоарите, са изработени от рециклируеми материали и могат да бъдат изхвърлени по съответния начин. Пластмасовите компоненти на инструмента са маркирани според материала, от който са изработени, което прави възможно отстраняването на екологични и диференцирани поради наличните съоръжения за събиране.



Само за страни от ЕС

Не изхвърляйте електрически инструменти заедно с битови отпадъци!

В съответствие с Европейската директива 2002/96/ЕО относно отпадъците от електрическо и електронно оборудване и нейното прилагане в съответствие с националното законодателство, електрическите инструменти, чийто живот е изтекъл, трябва да се събират отделно и да се връщат в екологично съвместимо съоръжение за рециклиране.

Varnostna navodila

OPOZORILO: Preberite vsa varnostna opozorila in vsa navodila. Neupoštevanje vseh opozoril in navodil lahko povzroči električni udar, požar in/ali hude telesne poškodbe.

Shranite vsa opozorila in navodila za poznejšo uporabo. Izraz "električno orodje" v opozorilih se nanaša na električno orodje, ki deluje iz električnega omrežja (z napeljavo), ali električno orodje, ki deluje na baterije (akumulatorsko).

Delovno območje

- 1) Delovno območje naj bo čisto in dobro osvetljeno. Zapleteni in temni prostori spodbujajo nesreče.
- 2) Električnega orodja ne uporabljajte v eksplozivnih okoljih, kot so vnetljive tekočine, plini ali prah. Električna orodja ustvarjajo iskre, ki lahko vžgejo prah ali hlapce.
- 3) Med upravljanjem električnega orodja se izogibajte otrokom in mimoidočim. Zaradi odvrčanja pozornosti lahko izgubite nadzor.

Električna varnost

- 1) Vtiči električnega orodja morajo ustrezati vtičnici. Nikoli ne spreminjajte vtiča na kakršen koli način. Z ozemljenimi (ozemljenimi) električnimi orodji ne uporabljajte nobenih adapterskih vtičev. Neprilagojeni vtiči in ustrezne vtičnice zmanjšajo tveganje električnega udara.
- 2) Izogibajte se telesnemu stiku z ozemljenimi ali ozemljenimi površinami, kot so cevi, radiatorji, štedilniki in hladilniki. Če je vaše telo ozemljeno ali ozemljeno, obstaja večja nevarnost električnega udara.
- 3) Električnih orodij ne izpostavljajte dežju ali vlagi. Vdor vode v električno orodje poveča tveganje električnega udara.
- 4) Ne zlorablajte kabla. Vrvico nikoli ne uporabljajte za prenašanje, vlečenje ali odklop električnega orodja. Vrvico hranite stran od vročine, olja, ostrih robov ali gibljivih delov. Poškodovane ali zapletene vrvice povečujejo nevarnost električnega udara.
- 5) Če električno orodje uporabljate na prostem, uporabite podaljšek, ki je primeren za uporabo na prostem. Uporaba kabla, primerne za uporabo na prostem, zmanjša tveganje električnega udara.
- 6) Če se ne morete izogniti uporabi električnega orodja na vlažnem mestu, uporabite napajanje, zaščiteno z zaščitno napravo na preostali tok (RCD). Uporaba RCD zmanjša tveganje električnega udara.

Osebna varnost

- 1) Pri delu z električnim orodjem bodite pozorni, pazite, kaj počnete, in uporabljajte zdravo pamet. Ne uporabljajte električnega orodja, če ste utrujeni ali pod vplivom drog, alkohola ali zdravil. Trenutek nepozornosti med upravljanjem električnega orodja lahko povzroči hude telesne poškodbe.
- 2) Uporabljajte varnostno opremo. Vedno nosite zaščito za oči. Varnostna oprema, kot so maska proti prahu, nedrseči varnostni čevlji, trda kapa ali zaščita sluha, ki se uporablja v ustreznih pogojih, bo zmanjšala število osebnih poškodb.
- 3) Izogibajte se nenamernemu zagonu. Pred priključitvijo se prepričajte, da je stikalo v izklopljenem položaju. Prenašanje električnega orodja s prstom nastikalo ali priključevanje električnega orodja, ki ima vklopljeno stikalo, spodbuja nesreče.
- 4) Pred vklopom električnega orodja odstranite nastavitveni ključ ali ključ. Ključ ali ključ, ki ostane pritrjen na vrteči se del električnega orodja, lahko povzroči telesne poškodbe.
- 5) Ne pretiravajte. Vedno imejte pravilno podlago in ravnotežje. To omogoča boljši nadzor nad električnim orodjem v nepričakovanih situacijah.
- 6) Ustrezno se oblecite. Ne nosite ohlapnih oblačil ali nakita. Lasje, oblačila in rokavice naj ne bodo v bližini gibljivih delov. Ohlapna oblačila, nakit ali dolgasje se lahko ujamejo v gibljive dele.
- 7) Če so na voljo naprave za priključitev naprav za odsesavanje in zbiranje prahu, poskrbite, da so te naprave priključene in se pravilno uporabljajo. Uporaba teh naprav lahko zmanjša nevarnosti, povezane s prahom.

Uporaba in nega električnega orodja

- 1) Električnega orodja ne pritiskajte na silo. Uporabite pravilno električno orodje za vašo uporabo. Pravilno električno orodje bo delo opravilo bolje in varneje s hitrostjo, za katero je bilo zasnovano.
- 2) Ne uporabljajte električnega orodja, če ga stikalo ne vklaplja in izklaplja. Električno orodje, ki ga ni mogoče upravljati s stikalom, je nevarno in ga je treba popraviti.
- 3) Pred kakršnimikoli nastavitvami, menjavo pribora ali shranjevanjem električnega orodja izključite vtič iz vira napajanja. Takšni preventivni varnostni ukrepi zmanjšujejo tveganje nenamernega zagona električnega orodja.
- 4) Električno orodje v mirovanju shranjujte zunaj dosega otrok in ne dovolite, da bi ga uporabljale osebe, ki niso seznanjene z električnim orodjem ali temi navodili. Električna orodja so v rokah neusposobljenih uporabnikov nevarna.
- 5) Vzdrževanje električnih orodij. Preverite, ali so gibljivi deli napačno poravnani ali vezani, ali se deli lomijo, in vse druge okoliščine, ki bi lahko vplivale na delovanje električnega orodja. Če je električno orodje poškodovano, ga pred uporabo popravite. Veliko nesreč je posledica slabo vzdrževanih električnih orodij.
- 6) Orodja za rezanje naj bodo ostra in čista. Ustrezno vzdrževana rezalna orodja z ostrimi rezalnimi robovi se redkeje zatikajo in jih je lažje nadzorovati.
- 7) Električno orodje, dodatno opremo, nastavke itd. uporabljajte v skladu s temi navodili in na način, ki je predviden za določeno vrsto električnega orodja, ob upoštevanju delovnih pogojev in dela, ki ga je treba opraviti. Uporaba električnega orodja za drugačna opravila, kot so predvidena, lahko povzroči nevarne razmere.

Storitev

Električno orodje naj servisira usposobljen serviser, ki uporablja samo enake nadomestne dele. Tako boste zagotovili varnost električnega orodja.

Varnostna opozorila

- Nosite ščitnike za ušesa. Izpostavljenost hrupu lahko povzroči izgubo sluha.
- Uporabite pomožno(-e) držalo(-a), če je(-so) priloženo(-a) orodju. Izguba nadzora lahko povzroči telesne poškodbe.
- Električno orodje držite za izolirane oprijemalne površine, kadar izvajate postopek, pri katerem se lahko rezalni pribor dotakne skrite napeljave ali lastnega kabla. Če se rezalni pribor dotakne žice pod napetostjo, lahko izpostavljeni kovinski deli električnega orodja postanejo "pod napetostjo" in lahko povzročijo električni udar.

Simboli - piktogrami



OPOZORILO - Za zmanjšanje tveganja poškodb mora uporabnik prebrati navodila za uporabo.



Dvojna izolacija.



Varstvo okolja

Odpadnih električnih izdelkov ne smete odlagati skupaj z gospodinjstvi odpadki. Za nasvete glede recikliranja se obrnite na lokalno upravo ali prodajalca.

Tehnični podatki

VHODNA MOČ:	1200W
HITROST BREZ VOŽNJE PO CESTI:	1050 vrtljajev na minuto
STOPNJA UČINKA:	4200bpm
IMPACT ENERGY:	5.0J
TIP CHUCK:	SDS-PLUS
TEŽA:	4,50 kg
ZMOGLJIVOST VRTANJA:	- Zidarstvo Ø32mm
	- JEKLO Ø13mm
	- les Ø40mm

* Proizvajalec si pridržuje pravico do manjših sprememb zasnovne in tehničnih specifikacij izdelka brez predhodnega obvestila, razen če te spremembe bistveno vplivajo na delovanje in varnost izdelkov. Deli, opisani/prikazani na straneh priročnika, ki ga držite v rokah, se lahko nanašajo tudi na druge modele proizvajalčeve linije izdelkov s podobnimi lastnostmi in morda niso vključeni v izdelek, ki ste ga pravkar pridobili.

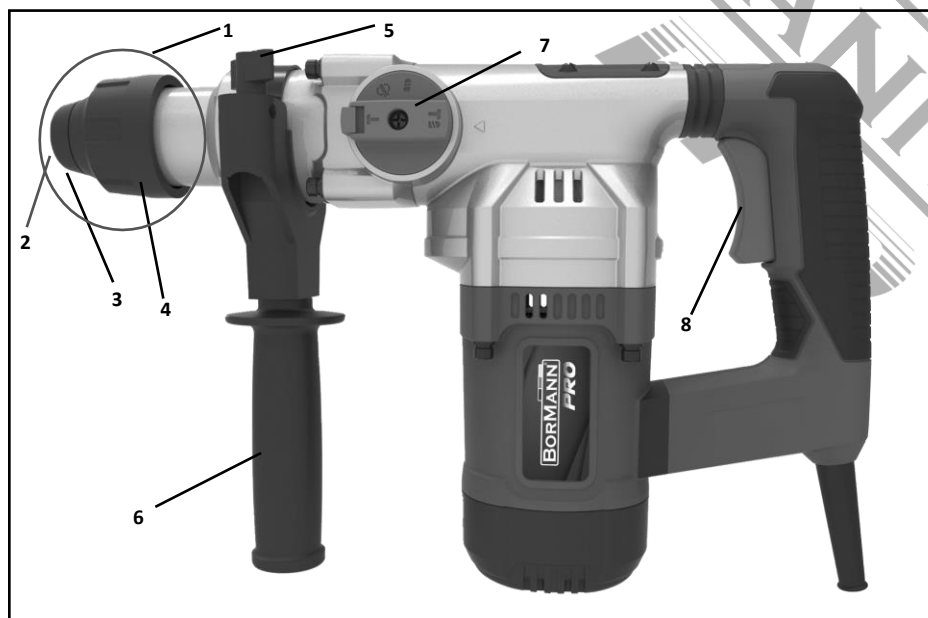
* Da bi zagotovili varnost in zanesljivost izdelka ter veljavnost garancije, lahko vsa popravila, preglede, popravila ali zamenjave, vključno z vzdrževanjem in posebnimi nastavitvami, opravljajo le tehniki pooblaščenega servisnega oddelka proizvajalca.

* Izdelek vedno uporabljajte s priloženo opremo. Uporaba izdelka z opremo, ki ni priložena, lahko povzroči motnje v delovanju ali celo hude telesne poškodbe ali smrt. Proizvajalec in uvoznik nista odgovorna za poškodbe in škodo, ki so posledica uporabe neustrezne opreme.

Predvidena uporaba

Stroj je namenjen vrtanju s kladivom v beton, opeko in kamen. Primeren je tudi za vrtanje brez udarca v les, kovino, keramiko in plastiko. Orodje se sme uporabljati samo za predpisani namen. Vsaka drugačna uporaba se šteje za zlorabo.

Opis glavnih delov



1. Držalo SDS-plus
2. Nosilec orodja (SDS-plus)
3. Pokrovček za zaščito pred prahom
4. Zaklepni ročaj
5. Zaustavitev globine
6. Pomožni ročaj
7. Stikalo za izbiro načina delovanja
8. Stikalo za vklop/izklop

Vsi prikazani ali prikazani pripomočki niso opisano vključeno v standardno dobavo.

Dodatna varnostna opozorila

Varno delo s tem strojem je mogoče le, če v celoti preberete navodila za uporabo in varnost ter dosledno upoštevate navodila iz teh navodil. Pred prvo uporabo prosite za praktični prikaz.

Če se kabel med delom poškoduje ali prereže, se ga ne dotikajte, temveč takoj izvlecite omrežni vtič. Naprave nikoli ne uporabljajte s poškodovanim kablom.

Nosite zaščitna očala, zaščitne rokavice in trpežne čevlje.

Nosite zaščito za ušesa, da si ne poškodujete sluha.

Stroj ne sme biti vlažen in se ne sme uporabljati v mokrem okolju. Dolgih las ne približujte stroju.

Ne uporabljajte, če nosite ohlapna oblačila.

- Omrežni vtič priključite šele, ko je orodje izklopljeno. Po uporabi izvlecite omrežni vtič.
- Kabel vedno usmerite nazaj stran od stroja.
- Naprave ne prenašajte za kabel.
- Pri delu s strojem ga vedno trdno držite z obema rokama in si zagotovite varen položaj.
- Med prekinitvami pri delu, ko se stroj ne uporablja ali med delom na samem stroju (npr. menjava delovnega orodja, popravila, čiščenje, nastavljanje) izvlecite vtič iz električnega omrežja.
- Osebe, mlajše od 16 let, tega stroja ne smejo upravljati.
- Orodje hranite zunaj dosega otrok.
- Uporabljajte samo originalno dodatno opremo.

Preostala tveganja

Tudi če se orodje uporablja v skladu s predpisi, ni mogoče odpraviti vseh preostalih dejavnikov tveganja. V zvezi z izdelavo in zasnovo orodja se lahko pojavijo naslednje nevarnosti:

1. poškodbe pljuč, če ne nosite učinkovite protiprašne maske.
2. poškodbe sluha, če ne nosite učinkovite zaščite sluha.
3. zdravstvene okvare zaradi emisij vibracij, če se električno orodje uporablja dlje časa ali če ni ustrezno upravljano in vzdrževano.

Med upravljanjem električnega orodja nosite zaščito sluha.

OPOZORILO! Ta stroj med delovanjem ustvarja elektromagnetno polje. To polje lahko v nekaterih okoliščinah moti aktivne ali pasivne medicinske vsadke. Da bi zmanjšali tveganje resnih ali smrtnih poškodb, osebam z medicinskimi vsadki priporočamo, da se pred uporabo tega stroja posvetujejo s svojim zdravnikom in proizvajalcem medicinskega vsadka.

Pred uporabo

Pazite na skrite električne napeljave ter plinske in vodovodne cevi. Preverite delovno območje, npr. z detektorjem kovin.

Vedno uporabljajte pravilno napajalno napetost!

Napetost vira napajanja se mora ujemati z vrednostjo, navedeno na tipski ploščici stroja.

Navodila za uporabo

Menjava orodja

Pri menjavi orodja pazite, da ne poškodujete protiprašnega pokrova (3).

Orodja SDS-PLUS

Orodje SDS-plus je zasnovano tako, da ga je mogoče prosto premikati.

To povzroča ekscentričnost pri razbremenitvi stroja. Vendar se vrtalnik med delovanjem samodejno centrira. To ne vpliva na natančnost vrtnja.

Vstavljanje

- Orodje pred vstavljanjem očistite in rahlo obrišite.
- Brezprašno orodje vstavite v držalo za orodje (2) z vrtenjem, dokler se ne zaskoči.
- Orodje se zaklene. Zaklepanje preverite tako, da potegnete orodje.

Odstranjevanje spletno strani

- Potegnite zaporni tulec (4) nazaj in ga držite, medtem ko odstranjujete orodje.

Orodja, ki niso orodja SDS-PLUS

Za vrtnje s kladivom ali sekanje ne uporabljajte orodij brez SDS-plus!

Vklop in izklop

Vklop: Pritisnite stikalo za vklop in izklop (8). Izklop: Spustite stikalo za vklop in izklop (8).

Preobremenitvena sklopka

Če se vrtnik zatakne ali zatakne, se pogon vrtnega vretena prekine.

- Zaradi sil, ki nastajajo, stroj vedno držite z obema rokama in zavzemite varen položaj. Stroj lahko uporabljate le s pomožnim ročajem.

Pomožni ročaj (6)

Varen položaj pri delu boste dosegli z vrtenjem nastavka ročaja. Odvijte in zavrtite nastavek ročaja v smeri urinega kazalca. Nato zategnite nastavek ročaja.


Zaustavitev globine (5)

Odvijte krilati vijak na pomožnem ročaju (6). Nastavite globino vrtnja na globinskem omejevalniku (5). Ponovno zategnite krilati vijak.


Načini delovanja

OPOZORILO! Pri preklapljanju med načini delovanja rahlo sprožite stikalo za vklop/izklop.

1. Način vrtnja s kladivom:

Stikalo za izbiro načina (7) obrnite na način "  " (glejte sliko 1).

2. Način klesanja

Stikalo za izbiro načina (7) obrnite na način "  " (glejte sliko 1).

3. Spreminjanje položaja sekanja ( glejte Sliko 1)

Dleta lahko zaklenete v različnih položajih. Tako lahko za vsako uporabo nastavite optimalen delovni položaj. Dleto vstavite v držalo za orodje.

Nastavite želeni kot dleta, nato pa preklopite nazaj na način dleta.

4. Vrtanje ( glejte sliko 1)

Za aktiviranje vrtnega mehanizma obrnite izbirnik v ta položaj. Ko je izbran ta način, se udarno delovanje ne vključi.



Slika 1

Vzdrževanje in čiščenje

OPOZORILO: Pred kakršnim koli delom na stroju izvlecite vtič iz električnega omrežja.

Za varno in pravilno delo stroj in prezračevalne reže vedno vzdržujte čiste. Vsak dan očistite nosilec orodja.

Zamenjava pokrova za zaščito pred prahom

Poškodovane protiprašne pokrovčke je treba čim prej zamenjati, saj lahko prah, ki pride v držalo orodja, povzroči okvare. Z ustreznim orodjem povlecite nazaj in držite zaporni tulec, da odtrgate pokrovček za zaščito pred prahom 4. Ko je zaporni tulec potegnjjen nazaj, povlecite novo pokrovko za prah, dokler se ne prilega držalu za orodje in lahko zaporni tulec ponovno potisnete naprej. Če se kljub skrbnosti pri izdelavi in testiranju stroj pokvari, mora popravilo opraviti pooblaščen servisier.

OKOLJSKO ODSTRANJEVANJE

Da bi se izognili poškodbam pri prevozu, mora biti orodje dobavljeno v trdni embalaži. Embalaža ter enota in dodatki so izdelani iz materialov, ki jih je mogoče reciklirati, in jih je mogoče ustrezno odstraniti. Plastični sestavni deli orodja so označeni glede na njihov material, kar omogoča odstranjevanje okolju prijaznih in diferenciranih zaradi razpoložljivih zbiralnic.

**Samo za države EU**

Električnega orodja ne odlagajte skupaj z gospodinjskimi odpadki!

V skladu z Evropsko direktivo 2002/96/ES o odpadni električni in elektronski opremi in njenim izvajanjem v skladu z nacionalno zakonodajo je treba električna orodja, ki jim je potekla življenjska doba, zbirati ločeno in jih oddati v okolju prijazno reciklažno napravo.

Instrucțiuni de siguranță

AVERTISMENT: Citiți toate avertismentele de siguranță și toate instrucțiunile. Nerespectarea tuturor avertismentelor și instrucțiunilor poate duce la șocuri electrice, incendii și/sau vătămări grave. Păstrați toate avertismentele și instrucțiunile pentru referințe ulterioare. Termenul "unealtă electrică" din avertismente se referă la unealta electrică alimentată de la rețeaua electrică (cu fir) sau la unealta electrică alimentată cu baterii (fără fir).

Zona de lucru

- 1) Păstrați zona de lucru curată și bine luminată. Zonele dezordonate și întunecate favorizează accidentele.
- 2) Nu folosiți uneltele electrice în atmosfere explozive, cum ar fi în prezența unor lichide, gaze sau praf inflamabile. Uneltele electrice creează scântei care pot aprinde praful sau vaporii.
- 3) Țineți copiii și persoanele aflate în preajmă la distanță în timp ce folosiți o unealtă electrică. Distragerile vă pot face să pierdeți controlul.

Siguranța electrică

- 1) Ștecherul sculelor electrice trebuie să se potrivească cu priză. Nu modificați niciodată fișa în niciun fel. Nu folosiți nicio fișă adaptoare cu uneltele electrice cu împământare (cu împământare). Ștecherii nemodificați și prizele potrivite vor reduce riscul de electrocutare.
- 2) Evitați contactul corpului cu suprafețe împământate sau legate la pământ, cum ar fi țevi, radiatoare, cuptoare și frigider. Există un risc crescut de șoc electric dacă corpul dumneavoastră este legat la pământ sau împământat.
- 3) Nu expuneți uneltele electrice la ploaie sau la condiții umede. Apa care intră într-o unealtă electrică va crește riscul de electrocutare.
- 4) Nu abuzați de cablu. Nu folosiți niciodată cablul pentru a transporta, trage sau deconecta sula electrică. Păstrați cablul departe de căldură, ulei, margini ascuțite sau piese în mișcare. Cablurile deteriorate sau încurcate cresc riscul de electrocutare.
- 5) Atunci când folosiți o unealtă electrică în aer liber, utilizați un prelungitor adecvat pentru utilizare în aer liber. Utilizarea unui cablu adecvat pentru utilizare în exterior reduce riscul de electrocutare.
- 6) În cazul în care este inevitabilă utilizarea uneltelor electrice într-un loc umed, utilizați o sursă de alimentare protejată de un dispozitiv de curent rezidual (RCD). Utilizarea unui RCD reduce riscul de electrocutare.

Siguranța personală

- 1) Rămâneți vigilenți, urmăriți ceea ce faceți și folosiți bunul simț atunci când folosiți o unealtă electrică. Nu utilizați o unealtă electrică în timp ce sunteți obosit sau sub influența drogurilor, alcoolului sau a medicamentelor. Un moment de neatenție în timp ce folosiți uneltele electrice poate duce la vătămări corporale grave.
- 2) Utilizați echipamentul de siguranță. Purtați întotdeauna protecție pentru ochi. Echipamentul de siguranță, cum ar fi masca de protecție împotriva prafului, pantofii de siguranță antiderapați, cască de protecție sau protecția auditivă, utilizate în condiții adecvate, vor reduce vătămrile corporale.
- 3) Evitați pornirea accidentală. Asigurați-vă că întrerupătorul este în poziția oprit înainte de a conecta aparatul la priză. Transportarea uneltelor electrice cu degetul pe întrerupător sau conectarea uneltelor electrice care au întrerupătorul pornit invită la accidente.
- 4) Îndepărtați orice cheie sau cheie de reglare înainte de a porni sula electrică. O cheie sau o cheie lăsată atașată la o parte rotativă a sculei electrice poate duce la vătămări corporale.
- 5) Nu exagerați. Păstrați în permanentă o poziție corectă și un echilibru adecvat. Acest lucru permite un control mai bun al sculei electrice în situații neprevăzute.
- 6) Îmbrăcați-vă corespunzător. Nu purtați haine largi sau bijuterii. Țineți-vă părul, hainele și mânușile departe de piesele în mișcare. Hainele largi, bijuteriile sau părul lung pot fi prinse în piesele în mișcare.
- 7) În cazul în care sunt prevăzute dispozitive pentru conectarea instalațiilor de aspirare și colectare a prafului, asigurați-vă că acestea sunt conectate și utilizate în mod corespunzător. Utilizarea acestor dispozitive poate reduce pericolele legate de praf.

Utilizarea și îngrijirea sculelor electrice

- 1) Nu forțați sula electrică. Folosiți sula electrică potrivită pentru aplicația dumneavoastră. Unealta electrică corectă va face treaba mai bine și mai sigur, la viteza pentru care a fost proiectată.
- 2) Nu (utilizați sula electrică dacă întrerupătorul nu o pornește și nu o oprește. Orice unealtă electrică care nu poate fi controlată cu ajutorul comutatorului este periculoasă și trebuie reparată.
- 3) Deconectați ștecherul de la sursa de alimentare înainte de a face orice reglaje, de a schimba accesoriile sau de a depozita sculele electrice. Astfel de măsuri preventive de siguranță reduc riscul de pornire accidentală a sculei electrice.
- 4) Depozitați uneltele electrice nefolosite la îndemâna copiilor și nu permiteți persoanelor care nu sunt familiarizate cu sula electrică sau cu aceste instrucțiuni să utilizeze sula electrică. Uneltele electrice sunt periculoase în mâinile unor utilizatori neinstruiți.
- 5) Întreținerea sculelor electrice. Verificați dacă piesele în mișcare nu sunt nealiniat sau blocate, dacă piesele nu sunt rupte și orice altă condiție care poate afecta funcționarea sculelor electrice. Dacă sunt deteriorate, reparați sula electrică înainte de utilizare. Multe accidente sunt cauzate de uneltele electrice prost întreținute.
- 6) Păstrați uneltele de tăiere ascuțite și curate. Uneltele de tăiere întreținute corespunzător, cu muchii de tăiere ascuțite, sunt mai puțin susceptibile de a se bloca și sunt mai ușor de controlat;
- 7) Folosiți sula electrică, accesoriile și biții de scule etc., în conformitate cu aceste instrucțiuni și în modul prevăzut pentru tipul special de scule electrice, ținând cont de condițiile de lucru și de lucrările care urmează să fie efectuate. Utilizarea sculei electrice pentru operațiuni diferite de cele prevăzute ar putea duce la o situație periculoasă.

Serviciul

Trimiteti sula electrică la un reparator calificat care să efectueze reparații folosind numai piese de schimb identice. Acest lucru va asigura menținerea siguranței sculei electrice.

Avertismente de siguranță

- Purtați protecții pentru urechi. Expunerea la zgomot poate provoca pierderea auzului.
- Utilizați mânerul (mânerele) auxiliar(e), dacă este (sunt) furnizat(e) împreună cu unealta. Pierderea controlului poate provoca vătămări corporale.
- Țineți sula electrică de suprafețele de prindere izolate, atunci când efectuați o operațiune în care accesoriul de tăiere poate intra în contact cu cabluri ascunse sau cu propriul cablu. Accesoriul de tăiere care intră în contact cu un fir "sub tensiune" poate face ca părțile metalice expuse ale sculei electrice să fie "sub tensiune" și ar putea provoca un șoc electric operatorului.

Simboluri - Pictograme



AVERTISMENT - Pentru a reduce riscul de rănire, utilizatorul trebuie să citească manualul de instrucțiuni. Izolație



dublă.



Protecția mediului

Deșeurile de produse electrice nu trebuie aruncate împreună cu deșeurile menajere; vă rugăm să le reciclați acolo unde există facilități. Verificați la autoritatea locală sau la comerciantul cu amănuntul pentru sfaturi de reciclare.

Date tehnice

PUTERE DE INTRARE:	1200W
VITEZA DE DEPLASARE FĂRĂ ÎNCĂRCĂTURĂ:	1050rpm
RATA DE IMPACT:	4200bpm
IMPACT ENERGY:	5.0J
CHUCK TYPE:	SDS-PLUS
GREUTATE:	4.50kg
CAPACITATEA DE FORAJ:	- MASONERIE Ø32mm
	- OȚEL Ø13mm
	- LEMN Ø40mm

* Producătorul își rezervă dreptul de a aduce modificări minore la designul și specificațiile tehnice ale produsului fără notificare prealabilă, cu excepția cazului în care aceste modificări afectează în mod semnificativ performanța și siguranța produselor. Piese descrise / ilustrate în paginile manualului pe care îl țineți în mâini pot viza și alte modele din linia de produse ale producătorului cu caracteristici similare și pot să nu fie incluse în produsul pe care tocmai l-ați achiziționat.

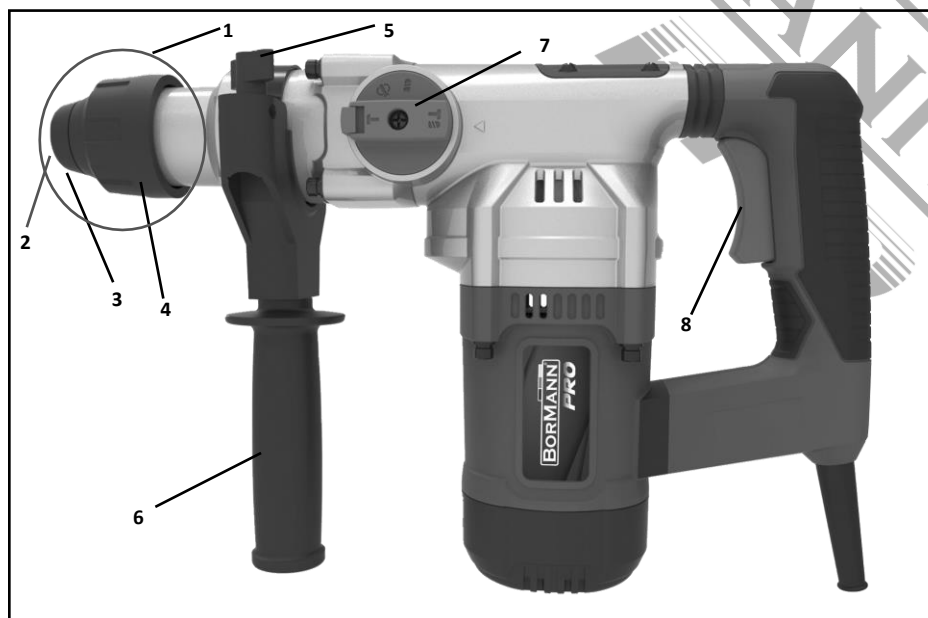
* Pentru a asigura siguranța și fiabilitatea produsului, precum și valabilitatea garanției, toate lucrările de reparații, inspecții, reparații sau înlocuiri, inclusiv întreținerea și reglajele speciale, trebuie efectuate numai de către tehnicienii ai departamentului de service autorizat al producătorului.

* Utilizați întotdeauna produsul cu echipamentul furnizat. Funcționarea produsului cu echipamente care nu sunt furnizate poate cauza defecțiuni sau chiar vătămări grave sau chiar moartea. Producătorul și importatorul nu sunt răspunzători pentru vătămările și daunele rezultate din utilizarea unui echipament neconform.

Utilizare preconizată

Mașina este destinată găuririi cu ciocanul în beton, cărămidă și piatră. Este, de asemenea, potrivit pentru găurirea fără impact în lemn, metal, ceramică și plastic. Unealta trebuie utilizată numai în scopul prevăzut. Orice altă utilizare este considerată a fi un caz de utilizare abuzivă.

Descrierea părților principale



1. Mandrină SDS-plus
2. Suport de scule (SDS-plus)
3. Capac de protecție împotriva prafului
4. Manșon de blocare
5. Oprire de adâncime
6. Mâner auxiliar
7. Comutator de selectare a modului de funcționare
8. Comutator pornit/oprit

Nu toate accesoriile ilustrate sau descrisă inclusă în livrarea standard.

Avertismente suplimentare de siguranță

Lucrul în siguranță cu acest utilaj este posibil numai dacă informațiile de operare și de siguranță sunt citite în întregime și instrucțiunile conținute în acestea sunt respectate cu strictețe.

Înainte de prima utilizare, solicitați o demonstrație practică.

În cazul în care cablul este deteriorat sau tăiat în timpul lucrului, nu atingeți cablul, ci scoateți imediat ștecherul de la rețea. Nu utilizați niciodată aparatul cu un cablu deteriorat.

Purtați ochelari de protecție, mănuși de protecție și încălțăminte rezistentă. Purtați protecție pentru urechi pentru a preveni deteriorarea auzului.

Aparatul nu trebuie să fie umed și nu trebuie să fie utilizat într-un mediu umed.

Țineți părul lung la distanță de aparat.

Nu operați în timp ce purtați haine largi.

● Conectați ștecherul de rețea numai atunci când unealta este oprită. După utilizare, scoateți ștecherul de la rețea.

● Întotdeauna direcționați cablul spre spate, departe de mașină.

● Nu transportați aparatul de cablu.

● Atunci când lucrați cu aparatul, țineți-l întotdeauna ferm cu ambele mâini și asigurați o poziție sigură.

● În timpul pauzelor în timpul lucrului, când nu este utilizat sau în timpul lucrărilor la mașină (de exemplu, schimbarea uneltelor de lucru, reparații, curățare, reglare), scoateți ștecherul de la rețea.

● Persoanele cu vârsta sub 16 ani nu au voie să utilizeze acest aparat.

● Țineți accesoriile sculei departe de accesul copiilor.

● Utilizați numai accesoriile originale.

Riscuri reziduale

Chiar și atunci când instrumentul este utilizat conform prescripțiilor, nu este posibil să se elimine toți factorii de risc reziduali. Următoarele pericole pot apărea în legătură cu construcția și proiectarea sculei:

1. Afectarea plămânilor dacă nu se poartă o mască de praf eficientă.

2. Deteriorarea auzului dacă nu se poartă o protecție auditivă eficientă.

3. Defecte de sănătate care rezultă din emisiile de vibrații dacă scula electrică este utilizată pe o perioadă mai lungă de timp sau dacă nu este gestionată în mod adecvat și întreținută corespunzător.

Purtați protecție pentru auz în timpul utilizării sculei electrice.

AVERTISMENT! Acest aparat produce un câmp electromagnetic în timpul funcționării. Acest câmp poate, în anumite circumstanțe, să interfereze cu implanturile medicale active sau pasive. Pentru a reduce riscul de rănire gravă sau fatală, recomandăm persoanelor cu implanturi medicale să se consulte cu medicul lor și cu producătorul implantului medical înainte de a utiliza acest aparat.

Înainte de utilizare

Fiiți atenți la liniile electrice ascunse sau la conductele de gaz și apă. Verificați zona de lucru, de exemplu, cu un detector de metale.

Utilizați întotdeauna tensiunea de alimentare corectă!

Tensiunea sursei de alimentare trebuie să fie în concordanță cu valoarea indicată pe plăcuța de identificare a mașinii.

Instrucțiuni de utilizare

Schimbarea sculelor

Aveți grijă ca capacul de protecție împotriva prafului (3) să nu fie deteriorat atunci când schimbați uneltele.

Instrumente SDS-PLUS

Unealta SDS-plus este proiectată pentru a fi liber deplasabilă.

Acest lucru cauzează excentricitate atunci când mașina este descărcată. Cu toate acestea, mașina de găurit se centrează automat în timpul funcționării. Acest lucru nu afectează precizia de găurire.

Inserarea

● Curățați și ușurați scula înainte de a o introduce.

● Introduceți scula fără praf în suportul pentru scule (2) cu răsucire până când se blochează.

● Instrumentul se blochează singur. Verificați blocarea trăgând de sculă.

Îndepărtarea

● Trageți manșonul de blocare (4) spre spate și țineți-l în timp ce scoateți scula.

Unelte care nu sunt SDS-PLUS

Nu utilizați unelte fără SDS-plus pentru găurirea cu ciocanul sau dăltuirea!

Pornirea și oprirea

Pornirea: Apăsăți comutatorul ON - OFF (8). Oprire:
Eliberați comutatorul ON - OFF (8).

Ambreiaj de suprasarcină

În cazul în care burghiul se blochează sau se prinde, se întrerupe acționarea arborelui de găurire.

- Din cauza forțelor care apar ca urmare, țineți întotdeauna mașina cu ambele mâini și adoptați o poziție sigură. Mașina trebuie utilizată numai cu un mâner auxiliar.

Mâner auxiliar (6)

Veți putea obține o poziție sigură atunci când lucrați prin rotirea dispozitivului de prindere a mânerului. Slăbiți și rotiți dispozitivul de prindere a mânerului în sens invers acelor de ceasornic. Apoi strângeți atașamentul mânerului.


Oprire de adâncime (5)

Slăbiți șurubul cu aripi de pe mânerul auxiliar (6). Reglați adâncimea de găurire pe opritorul de adâncime (5). Strângeți din nou șurubul cu aripi.


Moduri de operare

AVERTISMENT! La schimbarea modurilor de funcționare, vă rugăm să acționați ușor comutatorul ON/OFF.

1. Modul de găurire cu percuție:

Rotiți selectorul de mod (7) în modul "  " (a se vedea Fig.1).

2. Modul de dăltuire

Rotiți selectorul de mod (7) în modul "  " (a se vedea Fig.1).

3. Schimbarea poziției de dăltuire  (a se vedea Fig.1)

Dalta poate fi blocată în diferite poziții. În acest mod, se poate seta poziția optimă de lucru pentru fiecare aplicație. Introduceți dalta în suportul de scule.

Reglați până la unghiul dorit al burghiului, apoi treceți din nou la modul daltă.

4. Forare  (vezi Fig.1)

Rotiți selectorul în această poziție pentru a activa mecanismul de găurire. Acțiunea de ciocănire nu este activată atunci când este selectat acest mod.



Fig.1

Întreținere și curățare

AVERTISMENT: Înainte de orice intervenție asupra mașinii, scoateți ștecherul de la rețea. Pentru a lucra în siguranță și în mod corespunzător, păstrați întotdeauna mașina și fantele de ventilație curate. Curățați zilnic suportul sculei.

Înlocuirea capacului de protecție împotriva prafului

Capacele de protecție împotriva prafului deteriorate trebuie înlocuite pe cât posibil, deoarece praful care pătrunde în suportul sculei poate cauza defecțiuni. Trageți înapoi și țineți manșonul de blocare scoateți capacul de protecție împotriva prafului 4 cu o unealtă adecvată.

Cu manșonul de blocare tras înapoi, trageți de noul capac de praf până când acesta se așează ferm pe suportul sculei, iar manșonul de blocare poate fi din nou glisat înainte.

Dacă se întâmplă ca aparatul să se defecteze, în ciuda grijii acordate la fabricare și testare, reparația trebuie efectuată de un agent autorizat al serviciului clienți.

ELIMINAREA MEDIULUI

Pentru a evita deteriorările în timpul transportului, scula trebuie să fie livrată într-un ambalaj solid. Ambalajul precum și unitatea și accesoriile sunt fabricate din materiale reciclabile și pot fi eliminate în mod corespunzător. Componentele din plastic ale uneltei sunt marcate în funcție de materialul lor, ceea ce face posibilă îndepărtarea ecologică și diferențiată datorită facilităților de colectare disponibile.

**Numai pentru țările UE**

Nu aruncați sculele electrice împreună cu deșeurile menajere!

În conformitate cu Directiva europeană 2002/96/CE privind deșeurile de echipamente electrice și electronice și cu punerea în aplicare a acesteia în conformitate cu legislația națională, uneltele electrice care au ajuns la sfârșitul duratei lor de viață trebuie colectate separat și returnate la o instalație de reciclare compatibilă cu mediul.

Sigurnosne upute

UPOZORENJE : Pročitajte sva sigurnosna upozorenja i sve upute. Nepoštivanje svih upozorenja i uputa može dovesti do strujnog udara, požara i/ili ozbiljne ozljede.

Sačuvajte sva upozorenja i upute za buduću upotrebu Izraz "električni alat" u upozorenjima odnosi se na vaš električni alat na struju (sa kablom) ili električni alat na bateriju (bez kabla).

Radni prostor

- 1) Držite radno područje čistim i dobro osvijetljenim. Neuredna i tamna područja izazivaju nesreće.
- 2) Nemojte raditi s električnim alatima u eksplozivnim atmosferama, poput prisutnosti zapaljivih tekućina, plinova ili prašine. Električni alati stvaraju iskre koje mogu zapaliti prašinu ili pare.
- 3) Držite djecu i promatrače podalje dok radite s električnim alatom. Smetnje mogu uzrokovati gubitak kontrole.

Električna sigurnost

- 1) Utikač električnog alata mora odgovarati utičnici. Nikada ni na koji način ne mijenjajte utikač. Ne koristite adapterske utikače s uzemljenim električnim alatima. Nemodificirano. utikači i odgovarajuće utičnice smanjit će rizik od strujnog udara.
- 2) Izbjegavajte kontakt tijela s uzemljenim površinama kao što su cijevi, radijatori, štednjaci i hladnjaci. Postoji povećan rizik od strujnog udara ako vaš tijelo je uzemljeno ili uzemljeno.
- 3) Ne izlažite električne alate kiši ili vlažnim uvjetima. Ulazak vode u električni alat povećava rizik od strujnog udara.
- 4) Nemojte zlorabiti kabel. Nikada nemojte koristiti kabel za nošenje, povlačenje ili isključivanje električnog alata. Držite kabel dalje od topline, ulja, oštih rubova ili pokretnih dijelova. Oštećeni ili zapetljani kabeli povećavaju rizik od strujnog udara.
- 5) Kada radite s električnim alatom na otvorenom, koristite produžni kabel prikladan za vanjsku upotrebu. Korištenje kabela prikladnog za vanjsku upotrebu smanjuje rizik od električnog udarashock.
- 6) Ako je rad s električnim alatom na vlažnom mjestu neizbježan, koristite napajanje zaštićeno uređajem za zaostalu struju (RCD). Korištenje RCD-a smanjuje rizik od električnog udara.

Osobna sigurnost

- 1) Stay alert, watch what you are doing and use common sense when operating a power tool. Do not use a power tool while you are tired or under the influence of drugs, alcohol or medication. A moment of inattention while operating power tools may result in serious personal injury.
- 2) Koristite sigurnosnu opremu. Uvijek nosite zaštitu za oči. Sigurnosna oprema kao što je maska za prašinu, neklizajuće zaštitne cipele, kaciga ili zaštita za sluh koja se koristi zaodgovarajući uvjeti smanjit će osobne ozljede.
- 3) Izbjegavajte slučajno pokretanje. Uvjerite se da je prekidač u isključenom položaju prije uključivanja. Nošenje električnih alata s prstom na prekidaču ili uključivanje u strujalati koji imaju uključeni prekidač izazivaju nezgode.
- 4) Uklonite sve ključeve za podešavanje ili ključeve prije nego što uključite električni alat. Ključ ili ključ ostavljen na rotirajućem dijelu električnog alata može uzrokovati osobna ozljeda.
- 5) Nemojte pretjerivati. Održavajte pravilan oslonac i ravnotežu cijelo vrijeme. To omogućuje bolju kontrolu električnog alata u neočekivanim situacijama.
- 6) Odjenite se kako treba. Ne nosite široku odjeću ili nakit. Držite kosu, odjeću i rukavice podalje od pokretnih dijelova. Široka odjeća, nakit ili duga kosa mogu biti zahvaćeni pokretnim dijelovima.
- 7) Ako postoje uređaji za spajanje uređaja za usisavanje i sakupljanje prašine, provjerite jesu li spojeni i pravilno korišteni. Korištenje ovih uređaja mogu smanjiti opasnost i povezane sprat i nom.

Upotreba i njega električnih alata

- 1) Ne forsirajte električni alat. Koristite ispravan električni alat za svoju primjenu. Ispravan električni alat obaviti će posao bolje i sigurnije pri brzini za koju radi je dizajniran.
- 2) Nemojte (koristiti električni alat ako ga prekidač ne uključuje i ne isključuje. Svaki električni alat koji se ne može kontrolirati prekidačem je opasan i mora se popraviti.
- 3) Isključite utikač iz izvora napajanja prije bilo kakvih podešavanja, mijenjanja pribora ili spremanja električnih alata. Takve preventivne sigurnosne mjere smanjite rizik od slučajnog pokretanja električnog alata.
- 4) Čuvajte neiskorištene električne alate izvan dohvata djece i ne dopustite osobama koje nisu upoznate s električnim alatom ili ovim uputama da rade s električnim alatom. Električni alati opasni su u rukama neobučeni korisnika.
- 5) Održavajte električne alate. Provjerite neusklađenost ili zaglavljivanje pokretnih dijelova, lomljenje dijelova i bilo koja druga stanja koja mogu utjecati na rad električnih alata. cija. Ako je električni alat oštećen, dajte ga popraviti prije uporabe. Mnoge nesreće uzrokuju loše održavani električni alati.
- 6) Držite alate za rezanje oštirim i čistim. Ispravno održavani alati za rezanje s oštirim oštricama manje će se zaglaviti i lakše ih je kontrolirati.
- 7) Koristite električni alat, pribor i alate itd., u skladu s ovim uputama i na način predviđen za određenu vrstu električnog alata, uzimajući u obzir uvjete rada i posao koji se obavlja. Korištenje električnog alata za radove koji nisu predviđeni može dovesti do opasne situacije.

Servis

- 1) Neka vaš električni alat servisira kvalificirana osoba koja koristi samo identične zamjenske dijelove. Ovo će osigurati da je sigurnost električnog alata glavna tained.

Sigurnosna upozorenja

- Nosite štitičke za uši. Izloženost buci može uzrokovati gubitak sluha.
- Koristite pomoćnu(e) ručku(e), ako je isporučena s alatom. Gubitak kontrole može uzrokovati tjelesne ozljede.
- Držite električni alat za izolirane površine za držanje, kada izvodite radnju pri kojoj rezni pribor može doći u kontakt sa skrivenim žicama ili vlastitim kablom. Rezanje pribor koji dodiruje žicu pod naponom može učiniti izložene metalne dijelove električnog alata "naponom" i izazvati strujni udar rukovatelja.



UPOZORENJE – Kako biste smanjili rizik od ozljeda, korisnik mora pročitati priručnik s uputama.



Dupla izolacija.



Zaštita okoliša

Otpadni električni proizvodi ne smiju se odlagati zajedno s kućnim otpadom. Molimo reciklirajte tamo gdje za to postoje mogućnosti. Obratite se lokalnim vlastima ili prodavaču za savjet o recikliranju.

Četalj ehnički podaci

ULAZNA SNAGA:	1200W
BRZINA U PRAZNO MJERU:	1050rpm
STOPNJA UTJECAJA:	4200bpm
ENERGIJA UDARA:	5.0J
VRSTA STEZE:	SDS-PLUS
TEŽINA:	4.50kg
KAPACITET BUŠENJA:	- ZIDARSTVO Ø32mm
	- ŽELJEZOØ13mm
	- DRVO Ø40mm

*Proizvođač zadržava pravo na manje izmjene dizajna proizvoda i tehničkih specifikacija bez prethodne najave, osim ako te promjene značajno utječu na performanse i sigurnost proizvoda. Dijelovi opisani / ilustrirani na stranicama priručnika koje držite u rukama također se mogu odnositi na druge modele proizvođačeve linije proizvoda sa sličnim značajkama i možda neće biti uključeni u proizvod koji ste upravo nabavili.

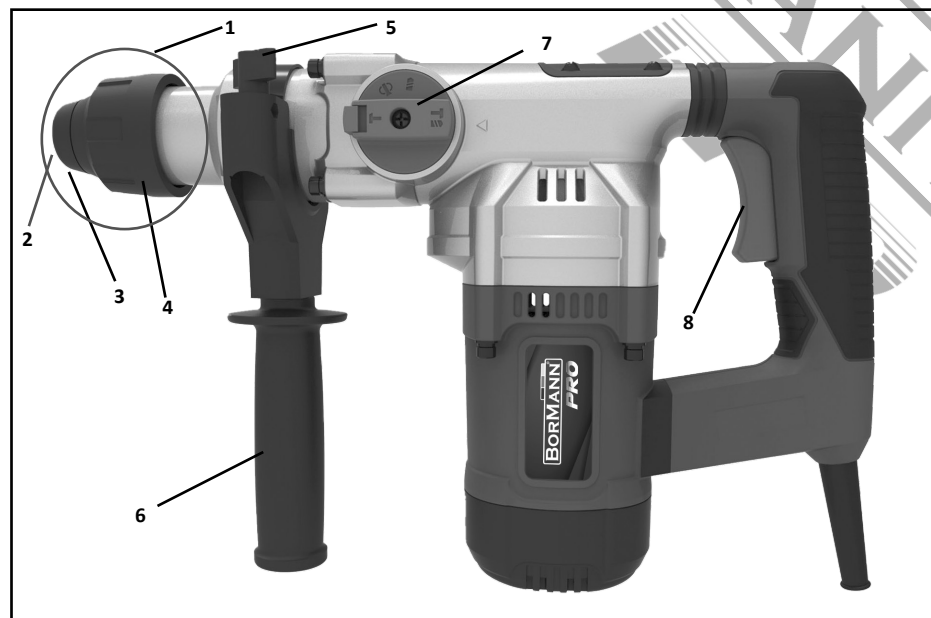
*Kako bi se osigurala sigurnost i pouzdanost proizvoda i valjanost jamstva, sve popravke, pregled, popravak ili zamjenu, uključujući održavanje i posebne prilagodbe, smiju obavljati samo tehničari ovlaštenog servisnog odjela proizvođača.

*Proizvod uvijek koristite s isporučenom opremom. Rad proizvoda s neiskorištenom opremom može uzrokovati kvarove ili čak ozbiljne ozljede ili smrt. Proizvođač i uvoznik nisu odgovorni za ozljede i štete nastale uporabom nesukladne opreme.

Namjena

Stroj je namijenjen za udarno bušenje betona, cigle i kamena. Također je prikladan za bušenje bez udarca u drvu, metalu, keramici i plastici. Alat se smije koristiti samo za njegovu propisanu svrhu. Svaka druga uporaba smatra se zlouporabom.

Opis glavnih dijelova



1. SDS-plus chuck
2. Držać alata (SDS-plus)
3. Kapa za zaštitu od prašine
4. Čahura za zaključavanje
5. Zaustavnik dubine
6. Pomoćna ručka
7. Prekidač za odabir načina rada
8. Prekidač za uključivanje/isključivanje

Nije sav ilustrirani ili opisani pribor uključen u standardnu isporuku.

Dodatna sigurnosna upozorenja

Siguran rad s ovim strojem moguć je samo ako su upute o radu i sigurnosti u potpunosti pročitane i ako se strogo slijede upute sadržane u njima. Prije prve uporabe zatražite praktičnu demonstraciju.

Ako se kabel tijekom rada ošteti ili prereže, ne dirajte kabel već odmah izvucite mrežni utikač.

Nikada nemojte koristiti stroj s oštećenim kabelom.

Nosite zaštitne naočale, zaštitne rukavice i čvrste cipele.

Nosite zaštitu za uši kako biste spriječili oštećenje sluha.

Stroj ne smije biti vlažan i ne smije se koristiti u mokrom okruženju.

Dugu kosu držite dalje od stroja.

Nemojte raditi dok nosite široku odjeću.

- Uključite mrežni utikač samo kada je alat isključen. Nakon upotrebe izvucite utikač iz utičnice.
- Uvijek usmjerite kabel straga dalje od stroja.
- Ne nosite stroj držeći ga za kabel.
- Kada radite sa strojem, uvijek ga čvrsto držite objema rukama i osigurajte siguran stav.
- Tijekom pauza u radu, kada se ne koristi ili tijekom rada na samom stroju (npr. promjena radnog alata, popravci, čišćenje, podešavanje), povucite mrežni utikač.
- Osobama mlađim od 16 godina nije dopušteno rukovati ovim strojem.
- Pribor alata držite izvan dohvata djece.
- Koristite samo originalnu dodatnu opremu.

Preostali rizici

Čak i kada se alat koristi kako je propisano, nije moguće eliminirati sve preostale čimbenike rizika. Sljedeće opasnosti mogu nastati u vezi s konstrukcijom i dizajnom alata:

1. Oštećenje pluća ako se ne nosi učinkovita maska za prašinu.
2. Oštećenje sluha ako se ne nosi učinkovita zaštita za sluh.
3. Zdravstveni kvarovi koji proizlaze iz emisije vibracija ako se električni alat koristi dulje vrijeme ili ako se njime ne upravlja na odgovarajući način i pravilno održava. Nosite zaštitu za sluh tijekom rada s električnim alatom.

UPOZORENJE! Ovaj stroj proizvodi elektromagnetsko polje tijekom rada. Ovo polje može pod određenim okolnostima ometati aktivne ili pasivne medicinske implantate. Kako biste smanjili rizik od ozbiljnih ili smrtonosnih ozljeda, preporučujemo osobama s medicinskim implantatima da se posavjetuju sa svojim liječnikom i proizvođačem medicinskih implantata prije rada s ovim strojem.

Prije upotrebe

Pazite na skrivene električne vodove ili cijevi za plin i vodu. Provjerite radno područje, npr. s detektorom metala.

Uvijek koristite ispravan napon napajanja!

Napon izvora napajanja mora odgovarati vrijednosti navedenoj na natpisnoj pločici stroja.

Upute za uporabu

Promjena alata

Pazite da se poklopac za zaštitu od prašine (3) ne ošteti prilikom mijenjanja alata.

SDS-PLUS Tools

The SDS-plus tool dizajniran je tako da se može slobodno pomicati.

To uzrokuje ekscentričnost kada je stroj rasterećen. Međutim, bušilica se automatski centrirala tijekom rada. To ne utječe na preciznost bušenja.

Umetanje

- Očistite i lagano obrišite alat prije umetanja.
- Umetnite alat bez prašine u držač alata (2) okretanjem dok ne zaskoči.
- Alat se sam zaključava. Provjerite zaključavanje povlačenjem alata.

Uklanjanje

- Povucite čahuru za zaključavanje (4) unatrag i držite dok uklanjate alat.

Non - SDS-PLUS alati

Ne koristite alate bez SDS-plus za bušenje ili bušenje čekića!

Uključivanje i isključivanje

Uključivanje: Pritisnite prekidač ON - OFF (8). Isključivanje: otpustite prekidač za uključivanje i isključivanje (8).

Spojka za preopterećenje

Ako se svrdlo zaglavi ili uhvati, prekida se pogon na vreteno bušilice.

- Zbog sila koje nastaju kao rezultat, uvijek držite stroj s obje ruke i zauzmite siguran stav. Stroj se smije koristiti samo s pomoćna ručka.

Pomoćna ručka (6)

Moći ćete dobiti siguran položaj tijekom rada okretanjem dodatka ručke. Otpustite i okrenite nastavak ručke u smjeru suprotnom od kazaljke na satu. Zatim zategnite nastavak ručke.


Zaustavljanje dubine (5)

Otpustite krilati vijak na pomoćnoj ručki (6). Podesite dubinu bušenja na graničniku dubine (5). Ponovno zategnite krilati vijak.


Načini rada

UPOZORENJE! Prilikom promjene načina rada lagano pokrenite prekidač ON/OFF.

1. Način bušenja s čekićem

Okrenite prekidač za odabir načina rada (7) na način rada "  " (Pogledajte sliku 1).

2. Način dlijetanja

Uključite prekidač za odabir načina rada (7) u način rada "  " (Pogledajte sliku 1).

3. Promjena položaja klesanja



(Pogledajte sliku 1)

Dlijeto se može zaključati u različitim položajima. Na taj se način može postaviti optimalni radni položaj za svaku primjenu. Umetnite dlijeto u držač alata.

Podesite željeni kut dlijeta, zatim se vratite u način rada dlijeta.

4. Bušenje



(Pogledajte sliku 1)

Uključite birač u ovaj položaj kako biste aktivirali mehanizam za bušenje. Radnja udaranja nije uključena kada je odabran ovaj način rada.



Slik.1

Održavanje i čišćenje

UPOZORENJE: Prije bilo kakvih radova na samom stroju, izvucite mrežni utikač.

Za siguran i pravilan rad, stroj i ventilacijske otvore uvijek održavajte čistima. Svaki dan čistite držač alata.

Zamjena poklopca za zaštitu od prašine

Oštećene zaštitne kapice protiv prašine treba zamijeniti što je više moguće jer prašina koja uđe u držač alata može uzrokovati kvarove.

Povucite unatrag i držite čahuru za zaključavanje i skinite poklopac za prašinu 4 pomoću odgovarajućeg alata.

S povučenom čahuricom za zaključavanje, povucite novi poklopac protiv prašine dok čvrsto ne sjedne na držač alata i čahuru za zaključavanje se ponovno može gurnuti naprijed.

Ako se dogodi da stroj pokvari usprkos pažnji pri proizvodnji i testiranju, popravak bi trebao obaviti ovlašteni agent servisa za Bormann električne alate.

Zaštita okoliša

Reciklirajte sirovine umjesto da ih odlažete kao otpad.

Stroj, dodatnu opremu i ambalažu treba sortirati za ekološki prihvatljivo recikliranje.

Plastične komponente označene su za kategorizirano recikliranje.



ΕΓΓΥΗΣΗ

EL

Τα ηλεκτρικά εργαλεία έχουν κατασκευαστεί με αυστηρά πρότυπα που έχει θέσει η εταιρεία και συνάδουν με τα ευρωπαϊκά πρότυπα ποιότητας. Για τα ηλεκτρικά εργαλεία της εταιρείας μας παρέχεται περίοδος εγγύησης 24 μηνών για ερασιτεχνική χρήση, 12 μηνών για επαγγελματική χρήση και 12 μηνών για τις μπαταρίες και τους φορτιστές. Η ισχύς της εγγύησης ξεκινά από την ημερομηνία αγοράς του προϊόντος. Αποδεικτικό του δικαιώματος της εγγύησης αποτελεί το παραστατικό αγοράς του εργαλείου (απόδειξη λιανικής ή τιμολόγιο). Σε καμιά περίπτωση η εταιρεία δεν καλύπτει τη σχετική δαπάνη ανταλλακτικών και εργασιών εάν και εφόσον δε συνοδεύεται από αντίγραφο του παραστατικού αγοράς. Σε περίπτωση που η επισκευή πρέπει να γίνει στο service μας η δαπάνη μεταφοράς (από και προς) βαρύνει εξ' ολοκλήρου τον αποστολέα. Τα εργαλεία αποστέλλονται για την επισκευή τους στην εταιρεία ή σε εξουσιοδοτημένο συνεργείο με τον ενδεδειγμένο τρόπο και μέσο μεταφοράς.

ΕΞΑΙΡΕΣΕΙΣ ΚΑΙ ΠΕΡΙΟΡΙΣΜΟΙ ΤΗΣ ΕΓΓΥΗΣΗΣ:

- 1) Ανταλλακτικά που φθείρονται φυσιολογικά από τη χρήση τους (καρβουνάκια, καλώδια, διακόπτες, φορτιστές, τσοκ κ.λπ).
- 2) Εργαλεία που έχουν υποστεί ζημιά από τη μη συμμόρφωση με τις οδηγίες του κατασκευαστή.
- 3) Εργαλεία με ελλιπή συντήρηση.
- 4) Χρήση μη ενδεδειγμένων λιπαντικών ή εξαρτημάτων.
- 5) Εργαλεία που έχουν δοθεί χωρίς επιβάρυνση.
- 6) Βλάβη που οφείλεται σε ηλεκτρική σύνδεση σε τάση διαφορετική από την αναγραφόμενη στην πινακίδα συσκευής.
- 7) Σύνδεση σε μη γειωμένο ρευματοδότη.
- 8) Μεταβολή της τάσης του ρεύματος.
- 9) Βλάβη που προκύπτει από τη χρήση αλμυρού νερού (π.χ πλαστικά, αντλίες).
- 10) Βλάβη ή κακή λειτουργία που έχει προκύψει από πλημμελή καθαρισμό του εργαλείου.
- 11) Επαφή του εργαλείου με χημικά, ή βλάβη από υγρασία, διάβρωση.
- 12) Εργαλεία που έχουν υποστεί τροποποιήσεις – αλλαγές ή έχουν ανοιχτεί από μη εξουσιοδοτημένο συνεργείο.
- 13) Σπασμένα μέρη/εξαρτήματα εξαιτίας μη ορθής χρήσης.
- 14) Εργαλεία που χρησιμοποιούνται για ενοικίαση.

Η εγγύηση καλύπτει αποκλειστικά τη δωρεάν αντικατάσταση του εξαρτήματος που έχει κατασκευαστικό ελάττωμα ή αστοχία υλικού. Σε περίπτωση έλλειψης ανταλλακτικού η εταιρεία διατηρεί το δικαίωμα αντικατάστασης του εργαλείου με άλλο αντίστοιχο μοντέλο. Μετά τη διεκπεραίωση εγγύησης δεν επιμηκύνεται ούτε ανανεώνεται ο χρόνος εγγύησης του εργαλείου. Αντικατάσταση ανταλλακτικού με χρέωση επισκευής, καλύπτεται από 1 χρόνο εγγύησης καλής λειτουργίας, με προϋπόθεση την τήρηση των όρων εγγύησης. Τα ανταλλακτικά ή τα εργαλεία τα οποία αντικαθίστανται παραμένουν στην κατοχή της εταιρείας μας. Άλλες απαιτήσεις, εκτός από αυτές που αναφέρονται σε αυτό το έντυπο εγγύησης επισκευής ή βλαβών ηλεκτρικών εργαλείων, δεν ισχύουν. Για την εγγύηση αυτή ισχύει το ελληνικό δίκαιο.

WARRANTY

EN

The power tools have been manufactured according to strict standards, set by our company, which are aligned with the respective European quality standards. The power tools of our company are provided with a warranty period of 24 months for non-professional use, 12 months for professional use and 12 months for chargers and batteries. The warranty is valid from the date of purchase of the product. Proof of the warranty right is the purchase document of the tool (retail receipt or invoice). Under no circumstances shall the company cover the relevant cost of spare parts and respective required working hours unless a copy of the purchase document is presented. In case the repair has to be done by our service department the cost of transportation (to and from) is entirely borne by the sender (client). The tools must be sent for repair to the company or to an authorized workshop in the appropriate way and means of transport.

WARRANTY EXEMPTIONS AND RESTRICTIONS:

- 1) Spare parts that wear out naturally as a consequence of being used (brushes, cables, switches, chargers, chucks etc.).
- 2) Tools damaged as a result of non-compliance with the instructions of the manufacturer.
- 3) Tools poorly maintained.
- 4) Use of improper lubricants or accessories.
- 5) Tools given to third entities free of charge.
- 6) Damage due to an electrical connection at a voltage other than that indicated on the appliance plate.
- 7) Connection to a non-earthed power supply.
- 8) Change in current voltage.
- 9) Damage resulting from the use of salty water (e.g., washing machines, pumps).
- 10) Damage or malfunction resulting from improper cleaning procedure of the tool.
- 11) Contact of the tool with chemicals, or damage as a result of moisture or corrosion.
- 12) Tools that have been modified or opened by unauthorised personnel.
- 13) Broken parts/components as a result of inappropriate use.
- 14) Tools used for rent.

The warranty covers only the free of charge replacement of the component that presents a manufacturing defect or material failure. In case of lack of a specific spare part the company reserves the right to replace the tool with another corresponding model. After all warranty procedures have been concluded, the warranty period of the tool shall not be extended or renewed. Replacement of a spare part with repair charge is covered by a 1 year warranty of good operation, subject to compliance with the warranty terms. The spare parts or tools that are replaced remain in the possession of our company. Requirements, other than those mentioned in this warranty form, regarding power tools repair or damage thereof, do not apply. Greek law and relative regulations apply to this warranty.

GARANTIE

FR

Les outils électriques sont fabriqués selon des normes strictes, établies par notre société et se sont alignées sur les normes de qualité européennes respectives. Les outils électriques de notre société sont bénéficiés d'une garantie de 24 mois pour une utilisation non professionnelle, 12 mois pour une utilisation professionnelle et de 12 mois pour les batteries et les chargeurs. La garantie est valable à partir de la date d'achat du produit. La preuve du droit à la garantie est le document d'achat de l'outil (ticket de caisse ou facture). En aucun cas, l'entreprise ne couvrira le coût des pièces de rechange et des heures de travail nécessaires si une copie du document d'achat n'est pas présentée. Si la réparation doit être effectuée par notre service après-vente, les frais de transport (aller-retour) sont entièrement à la charge de l'expéditeur (client). Les outils doivent être envoyés pour réparation à l'entreprise ou à un atelier agréé de la manière et avec le moyen de transport appropriée.

EXEMPTIONS ET RESTRICTIONS DE GARANTIE:

- 1) Les pièces de rechange qui s'usent naturellement suite à leur utilisation (balaise, câbles, interrupteurs, chargeurs, mandrins etc.).
- 2) Les outils endommagés à la suite du non-respect des instructions du fabricant.
- 3) Outils mal entretenus.
- 4) Utilisation de lubrifiants ou d'accessoires inappropriés.
- 5) Outils donnés à des tiers à titre gratuit.
- 6) Dommages dus à un mauvais branchement électrique ou à une tension différente de celle indiquée sur la plaque de l'appareil.
- 7) Connexion à une alimentation électrique non reliée à la terre.
- 8) Fluctuation de la tension inacceptable.
- 9) Dommages résultant de l'utilisation d'eau salée (par exemple, machines à laver, pompes).
- 10) Dommages ou dysfonctionnement résultant d'une procédure de nettoyage inadéquate de l'appareil.
- 11) Contact de l'outil avec des produits chimiques, ou dommages résultant de l'humidité ou de la corrosion.
- 12) Les outils qui ont été modifiés ou ouverts par du personnel non autorisé.
- 13) Pièces/composants cassés à la suite d'une utilisation inappropriée.
- 14) Les outils utilisés à location.

La garantie couvre uniquement le remplacement gratuit du composant qui présente un défaut de fabrication ou une défaillance matérielle. En cas d'absence d'une pièce de rechange spécifique, l'entreprise se réserve le droit de remplacer l'outil par un autre modèle correspondant. Après la conclusion de toutes les procédures de garantie, la période de garantie de l'outil ne sera pas prolongée ou renouvelée. Le remplacement d'une pièce de rechange, ainsi que les frais de réparation, sont couverts par une garantie de bon fonctionnement d'un an, sous réserve du respect des conditions de garantie. Les pièces de rechange ou les outils remplacés restent en possession de notre société. Les exigences, autres que celles mentionnées dans ce formulaire de garantie, concernant la réparation des outils électriques ou leur endommagement, ne sont pas applicables. La loi grecque et ses règlements s'appliquent à cette garantie.

GARANZIA

IT

Gli elettrodomestici sono stati fabbricati secondo gli standard rigorosi, stabiliti dalla nostra azienda, che sono allineati con i rispettivi standard di qualità europei. Gli elettrodomestici della nostra azienda sono forniti con un periodo di garanzia di 24 mesi per uso non professionale, 12 mesi per uso professionale e 12 mesi per le batterie e i caricabatterie. La garanzia è valida dalla data di acquisto del prodotto. La prova del diritto di garanzia è il documento di acquisto dell'utensile (scontrino o fattura). In nessun caso l'azienda coprirà il relativo costo dei pezzi di ricambio e delle rispettive ore di lavoro necessarie se non viene presentata una copia del documento di acquisto. Nel caso in cui la riparazione debba essere effettuata dal nostro servizio di assistenza, il costo del trasporto (da e per) è interamente a carico del mittente (cliente). Gli utensili devono essere inviati per la riparazione all'azienda o ad un'officina autorizzata nel modo e nel mezzo di trasporto appropriato.

ECCEZIONI E LIMITAZIONI ALLA GARANZIA:

- 1) Pezzi di ricambio che si deteriorano naturalmente con l'uso (pezzi di consumo).
- 2) Utensili danneggiati dal mancato rispetto delle istruzioni del produttore.
- 3) Strumenti con manutenzione insufficiente.
- 4) Uso di lubrificanti o parti inappropriate.
- 5) Strumenti dati gratuitamente.
- 6) Guasto dovuto a un collegamento dell'aria compressa a una pressione diversa da quella indicata sulla targhetta dei dati tecnici.
- 7) Danni derivanti dall'uso di aria compressa impura e non filtrata.
- 8) Danni o malfunzionamenti derivanti da una pulizia inadeguata dell'utensile.
- 9) Contatto dell'utensile con prodotti chimici, o danni da umidità, corrosione.
- 10) Strumenti che hanno subito modifiche - cambiamenti o sono stati aperti da un'officina non autorizzata.
- 11) Strumenti utilizzati per il noleggio.
- 12) Strumenti che sono stati modificati o aperti da personale non autorizzato.
- 13) Rottura di parti/componenti a causa di un uso improprio.
- 14) Strumenti utilizzati per il noleggio.

La garanzia copre solo la sostituzione gratuita del componente che presenta un difetto di fabbricazione o di materiale. In caso di mancanza di un pezzo di ricambio specifico, l'azienda si riserva il diritto di sostituire l'utensile con un altro modello corrispondente. Una volta concluse tutte le procedure di garanzia, il periodo di garanzia dell'utensile non potrà essere esteso o rinnovato. La sostituzione di un pezzo di ricambio, insieme al costo della riparazione, è coperta da una garanzia di buon funzionamento di 1 anno, a condizione che vengano rispettati i termini della garanzia. I pezzi di ricambio o gli utensili che vengono sostituiti rimangono in possesso della nostra azienda. I requisiti, diversi da quelli menzionati in questo modulo di garanzia, riguardanti la riparazione di utensili elettrici o il loro danneggiamento, non si applicano. La legge greca e i relativi regolamenti si applicano a questa garanzia.

GARANCIA

AL

Mjetet e energjisë janë prodhuar sipas standardeve strikte, të vendosura nga kompania jonë, të cilat janë në përputhje me standardet respektive evropiane të cilësisë. Mjetet e energjisë të kompanisë sonë janë siguruar me një periudhë garancie prej 24 muaj për përdorim jo profesional, 12 muaj për përdorim profesional dhe 12 muaj për bateritë dhe karikuesit. Garancia është e vlefshme nga data e blerjes së produktit. Prova e së drejtës së garancisë është dokumenti i blerjes së mjetit (faturë ose faturë me pakicë). Në asnjë rrethanë ndër-marrja nuk mbulon koston përkatëse të pjesëve të këmbimit dhe orarin përkatës të kërkur të punës, përveç kur është paraqitur një kopje e dokumentit të blerjes. Në rast se riparimi duhet të bëhet nga departamenti ynë i shërbimit kostoja e transportit (për dhe nga) është tërësisht e mbajtur nga dërguesi (klienti). Mjetet duhet të dërgohen për riparim në ndër-marrje ose në një punishte të autorizuar në mënyrën dhe mjetet e duhura të transportit.

PËRJASHTIMET DHE KUFIZIMET E GARANCISË:

- 1) Pjesët rezervë që përdoren në mënyrë natyrale si pasojë e përdorur (furçat, kablot, ndërruesit, karikuesit, mbytjet etj.).
- 2) Veglat e dëmtuara si rezultat i mosrespektimit të udhëzimeve të prodhuesit.
- 3) Mjetet e mbajtura keq.
- 4) Përdorimi i lubrifikantëve ose aksesorëve të papërshtatshëm.
- 5) Mjetet që u jepen enteve të treta pa pagesë.
- 6) Dëmtimi për shkak të një lidhje elektrike në një tension tjetër nga ai i treguar në plakën e pajisjes.
- 7) Lidhja me furnizimin me energji jo tokësore.
- 8) Ndryshimi i tensionit aktual.
- 9) Dëmtimi që vijnë si pasojë e përdorimit të ujit të kripur (p.sh., lavatrice, pompa).
- 10) Dëmtimi ose mosfunksionimi që rezultojn nga procedura e papërshtatshme e pastrimit të mjetit.
- 11) Kontakti i mjetit me kimikate, ose dëmtimi si pasojë e lagështisë ose korrozionit.
- 12) Mjete që janë modifikuar ose hapur nga personel i paautorizuar.
- 13) Pjesë/përbërës të thyer si rezultat i përdorimit të papërshtatshëm.
- 14) Veglat e përdorura për qira.

Garancia mbulon vetëm zëvendësimin pa pagesë të komponentit që paraqet një defekt prodhues ose dështim material. Në rast të mungesës së një pjesë rezervë specifike kompania rezervon të drejtën për të zëvendësuar mjetin me një model tjetër përkatës. Pasi të jenë përfunduar të gjitha procedurat e garancisë, periudha e garancisë së mjetit nuk do të zgjatet ose të rinovohet. Zëvendësimi i një pjesë rezervë, së bashku me ngarkesën e riparimit, mbulohet nga një garanci vepri me mirë 1 vit, subjekt i përputhjes me kushtet e garancisë. Pjesët e këmbimit ose mjetet që zëvendësohen mbeten në zotërim të kompanisë sonë. Kërkesat, përveç atyre të përmendura në këtë formë garancie, në lidhje me riparimin ose dëmtimin e mjeteve të energjisë elektrike, nuk zbatohen. Ligji grek dhe rregullat relative zbatohen për këtë garancia.

GARANCIA

SLO

Električna orodja so bila izdelana v skladu s strogimi standardi našega podjetja, ki so usklajeni z ustreznimi evropskimi standardi kakovosti. Električna orodja našega podjetja imajo 24-mesečno garancijsko dobo za neprofesionalno uporabo, 12-mesečno za profesionalno uporabo ter 12-mesečno za polnilnice in baterije. Garancija velja od datuma nakupa izdelka. Dokazilo o pravici do garancije je dokument o nakupu orodja (maloprodajni račun ali račun). Podjetje v nobenem primeru ne krije ustreznih stroškov nadomestnih delov in ustreznih zahtevanih delovnih ur, če ni predložena kopija nakupnega dokumenta. Če mora popravilo opraviti naš servisni oddelek, stroške prevoza (do in nazaj) v celoti krije pošiljatelj (stranka). Orodje je treba poslati v popravilo podjetju ali pooblaščenim delavnicam na ustrezen način in z ustreznimi prevoznimi sredstvi.

GARANCIJSKE IZJEME IN OMEJITVE:

- 1) Rezervni deli, ki se naravno obrabijo zaradi uporabe (ščetke, kabli, stikala, polnilni, vpenjalni glave itd.).
- 2) Orodja, ki so se poškodovala zaradi neupoštevanja navodil proizvajalca.
- 3) Orodja, ki so slabo vzdrževana.
- 4) Uporaba neustreznih maziv ali pripomočkov.
- 5) Orodja, ki so bila brezplačno dana tretjim osebam.
- 6) Poškodbe zaradi električnega priključka pri napetosti, ki ni navedena na ploščici naprave.
- 7) Priključitev na neozemljeno električno omrežje.
- 8) Sprememba trenutne napetosti.
- 9) Poškodbe zaradi uporabe slane vode (npr. pralni stroji, črpalke).
- 10) Poškodba ali okvara, ki je posledica nepravilnega postopka čiščenja orodja.
- 11) Stik orodja s kemikalijami ali poškodbe zaradi vlage ali korozije.
- 12) Orodje, ki ga je spremenilo ali odprlo nepooblaščen osebe.
- 13) Pokvarjeni deli/komponente zaradi neustrezne uporabe.
- 14) Orodja, ki se uporabljajo za najem.

Garancija zajema le brezplačno zamenjavo sestavnega dela, pri katerem se pokaže proizvodna napaka ali okvara materiala. V primeru pomanjkanja določenega rezervnega dela si podjetje pridržuje pravico, da orodje zamenja z drugim ustreznim modelom. Po zaključku vseh garancijskih postopkov se garancijski rok orodja ne podaljša ali obnovi. Za zamenjavo nadomestnega dela z nadomestilom za popravilo velja enoletna garancija za dobro delovanje, če so izpolnjeni garancijski pogoji. Zamenjani nadomestni deli ali orodje ostanejo v lasti našega podjetja. Zahteve, ki niso navedene v tem garancijskem obrazcu, v zvezi s popravilom električnih orodij ali njihovih poškodb, ne veljajo. Za to garancijo velja grška zakonodaja in sorodni predpisi.

GARANCIJE

SR

Električni alati su proizvedeni prema strogim standardima koje je postavila naša kompanija a koji su usklađeni sa odgovarajućim evropskim standardima kvaliteta. Električni alati naše kompanije imaju garantni rok od 24 meseca za neprofesionalnu upotrebu, 12 meseci za profesionalnu upotrebu i 12 meseci za baterije i punjače. Garancija važi od dana kupovine proizvoda. Dokaz za pravo na garanciju je dokument o kupovini električnog alata (maloprodajni račun ili faktura). Ni pod kojim okolnostima kompanija neće pokriti relevantne troškove rezervnih delova i potrebno odgovarajuće radno vreme ako se ne predoči kopija dokumenta o kupovini. U slučaju da popravku treba da uradi naš servis, troškove transporta (do i od) u potpunosti snosi pošiljalac (klijent). Električni alati za popravku se šalju u firmu gde su kupljeni ili u ovlašćeni servis i to tako da budu prikladno upakovani za transport.

IZUZEĆA I OGRANIČENJA GARANCIJE:

- 1) Rezervni delovi koji se prirodno troše kao posledica korišćenja (četkice, kablovi, prekidači, punjači, stezne glave itd).
- 2) Alati oštećeni kao posledica nepoštovanja uputstva proizvođača.
- 3) Alati su loše održavani.
- 4) Upotreba neodgovarajućih maziva ili pribora.
- 5) Alati su dati trećim licima besplatno.
- 6) Oštećenje usled električnog priključka na napon koji nije naznačen na pločici uređaja.
- 7) Povezivanje na neuzemljeno napajanje.
- 8) Promena napona struje.
- 9) Oštećenja nastala upotrebom slane vode (npr. mašine za pranje veša, pumpe).
- 10) Oštećenje ili kvar nastao kao posledica nepravilne procedure čišćenja alata.
- 11) Kontakt alata sa hemikalijama ili oštećenje usled vlage ili korozije.
- 12) Alati koje je modifikovalo ili otvorilo neovlašćeno osoblje.
- 13) Polomljeni delovi/komponente kao rezultat neodgovarajuće upotrebe.
- 14) Alati koji se koriste za iznajmljivanje.

Garancija pokriva samo besplatnu zamenu komponente koja ima fabričku grešku ili materijalne nedostatke. U slučaju nedostatka rezervnog dela, kompanija zadržava pravo zamene električnog alata drugim odgovarajućim modelom. Nakon isteka garantnog roka, garantni rok električnog alata se ne produžava niti obnavlja. Rezervni delovi ili Električni alati koji su zamenjeni ostaju u posedu naše kompanije. Zamena rezervnog dela, zajedno sa naplatom popravke, pokrivena je garancijom za 1 godinu dobrog rada, koja podleže poštovanju uslova garancije. Zahtevi, osim onih navedenih u ovom obrascu garancije, u vezi sa popravkom električnog alata ili njegovim oštećenjem ne važe. Na ovu garanciju se primenjuju grčki zakoni i odgovarajući propisi.

ZÁRUKA

SK

Elektrické náradie bolo vyrobené podľa prísnych noriem stanovených našou spoločnosťou, ktoré sú v súlade s príslušnými európskymi normami kvality. Na elektrické náradie našej spoločnosti poskytujeme záruku 24 mesiacov na neprofesionálne použitie, 12 mesiacov na profesionálne použitie a 12 mesiacov na nabíjačky a batérie. Záruka platí od dátumu zakúpenia výrobku. Dokladom o nároku na záruku je doklad o kúpe náradia (maloobchodný doklad alebo faktúra). Spoločnosť v žiadnom prípade neuhradí príslušné náklady na náhradné diely a príslušné požadované pracovné hodiny, ak nie je predložená kópia dokladu o kúpe. V prípade, že opravu musí vykonať naše servisné oddelenie, náklady na dopravu (tam a späť) znáša v plnej miere odosielateľ (zákazník). Náradie musí byť zaslané na opravu do spoločnosti alebo do autorizovaného servisu vhodným spôsobom a dopravným prostriedkom.

VÝNIMKY A OBMEDZENIA TÝKAJÚCE SA ZÁRUKY:

- 1) Náhradné diely, ktoré sa prirodzene opotrebojú v dôsledku používania (kefky, káble, spínače, nabíjačky, skľučovadlá atď.).
- 2) Náradie poškodené v dôsledku nedodržania pokynov výrobcu.
- 3) Náradie nedostatočne udržiavané.
- 4) Používanie nevhodných mazív alebo príslušenstva.
- 5) Náradie poskytnuté tretím subjektom bezplatne.
- 6) Poškodenie v dôsledku elektrického pripojenia na iné napätie, ako je uvedené na štítku spotrebiča.
- 7) Pripojenie k neuzemnenému zdroju napájania.
- 8) Zmena aktuálneho napätia.
- 9) Poškodenie v dôsledku používania slanej vody (napr. práčky, čerpadlá).
- 10) Poškodenie alebo porucha vyplývajúca z nesprávneho postupu čistenia nástroja.
- 11) Kontakt nástroja s chemikáliami alebo poškodenie v dôsledku vlhkosti alebo korózie.
- 12) Nástroje, ktoré boli upravené alebo otvorené neoprávneným personálom.
- 13) Poškodené diely/komponenty v dôsledku nevhodného používania.
- 14) Náradie používané na prenájom.

Záruka sa vzťahuje len na bezplatnú výmenu súčiastky, ktorá vykazuje výrobnú vadu alebo poruchu materiálu. V prípade nedostatku konkrétneho náhradného dielu si spoločnosť vyhradzuje právo vymeniť náradie za iný zodpovedajúci model. Po ukončení všetkých záručných postupov sa záručná doba náradia nepredlžuje ani neobnovuje. Na výmenu náhradného dielu s poplatkom za opravu sa vzťahuje 1-ročná záruka na dobrú prevádzku pri dodržaní záručných podmienok. Vymenené náhradné diely alebo náradie zostávajú vo vlastníctve našej spoločnosti. Iné požiadavky, ako sú uvedené v tomto záručnom formulári, týkajúce sa opravy elektrického náradia alebo jeho poškodenia, sa neuplatňujú. Na túto záruku sa vzťahujú grécke zákony a príslušné predpisy.

ГARANЦИЯ

BG

Електроинструментите са произведени в съответствие със строги стандарти, установени от нашата компания, които са в съответствие със съответните европейски стандарти за качество. Електроинструментите на нашата компания се предоставят с гаранционен срок от 24 месеца за непрофесионална употреба, 12 месеца за професионална употреба и 12 месеца за зарядни устройства и батерии. Гаранцията е валидна от датата на закупуване на продукта. Доказателство за правото на гаранция е документът за закупуване на инструмента (касова бележка от магазин или фактура). В никакъв случай компанията не покрива съответните разходи за резервни части и съответните необходими работни часове, ако не бъде представено копие от документа за покупка. В случай че ремонтът трябва да бъде извършен от нашия сервизен отдел, разходите за транспорт (до и от) се поемат изцяло от изпращача (клиента). Инструментите трябва да бъдат изпратени за ремонт в компанията или в оторизиран сервиз по подходящ начин и с подходящо транспортно средство.

ОСВОБОЖДАВАНЕ ОТ ГАРАНЦИЯ И ОГРАНИЧЕНИЯ:

- 1) Резервни части, които се износват по естествен начин вследствие на използването им (четки, кабели, ключове, зарядни устройства, патронници и др.).
- 2) Инструменти, повредени в резултат на неспазване на инструкциите на производителя.
- 3) Инструменти, които са лошо поддържани.
- 4) Използване на неподходящи смазочни материали или принадлежности.
- 5) Инструменти, предоставени безплатно на трети лица.
- 6) Повреди вследствие на електрическа връзка с напрежение, различно от посоченото на табелката на уреда.
- 7) Свързване към незаземено електрозахранване.
- 8) Промяна на напрежението на тока.
- 9) Повреда в резултат на използването на солена вода (напр. перални машини, помпи).
- 10) Повреда или неизправност в резултат на неправилна процедура за почистване на инструмента.
- 11) Контакт на инструмента с химикали или повреда в резултат на влага или корозия.
- 12) Инструменти, които са били модифицирани или отворени от неупълномощен персонал.
- 13) Счупени части/компоненти в резултат на неподходяща употреба.
- 14) Инструменти, използвани под наем.

Гаранцията покрива само безплатната подмяна на компонента, който представя производствен дефект или повреда на материала. В случай на липса на конкретна резервна част компанията си запазва правото да замени инструмента с друг съответен модел. След приключване на всички гаранционни процедури гаранционният срок на инструмента не се удължава или подновява. Замяната на резервна част с такса за ремонт се покрива от 1-годишна гаранция за добра експлоатация, при спазване на гаранционните условия. Заменените резервни части или инструменти остават във владение на нашата компания. Изисквания, различни от посочените в този гаранционен формуляр, относно ремонта на електроинструменти или повредите по тях, не се прилагат. Гръцкото законодателство и съответните разпоредби се прилагат към тази гаранция.

GARANȚIE

RO

Uneltele electrice au fost fabricate în conformitate cu standarde stricte, stabilite de compania noastră, care sunt aliniate la standardele de calitate europene respective. Uneltele electrice ale companiei noastre sunt prevăzute cu o perioadă de garanție de 24 de luni pentru uz neprofesional, 12 luni pentru uz profesional și 12 luni pentru încălțătoare și baterii. Garanția este valabilă de la data achiziționării produsului. Dovada dreptului de garanție este documentul de achiziție a sculei (bon de casă sau factură). În niciun caz societatea nu va acoperi costurile relevante ale pieselor de schimb și ale orelor de lucru necesare respective dacă nu este prezentată o copie a documentului de achiziție. În cazul în care reparația trebuie efectuată de către departamentul nostru de service, costul transportului (dus-întors) este suportat în întregime de către expeditor (client). Unelte trebuie trimise pentru reparații la companie sau la un atelier autorizat în mod și cu mijloace de transport adecvate.

SCUTIRI ȘI RESTRICȚII DE GARANȚIE:

- 1) Piese de schimb care se uzează în mod natural ca urmare a utilizării (perii, cabluri, întrerupătoare, încălțătoare, mandrine etc.).
- 2) Unelte deteriorate ca urmare a nerespectării instrucțiunilor producătorului.
- 3) Unelte prost întreținute.
- 4) Utilizarea de lubrifiant și/sau accesorii necorespunzătoare.
- 5) Unelte oferite gratuit unor terțe entități.
- 6) Deteriorări datorate unei conexiuni electrice la o altă sursă decât cea indicată pe plăcuța aparatului.
- 7) Conectarea la o sursă de alimentare electrică delegată la pământ.
- 8) Schimbarea tensiunii de curent.
- 9) Deteriorări rezultate din utilizarea apei sărate (de exemplu, mașini de spălat, pompe).
- 10) Deteriorări sau defecțiuni rezultate în urma unei proceduri de curățare necorespunzătoare a aparatului.
- 11) Contactul sculei cu substanțe chimice sau deteriorări ca urmare a umidității sau coruziunii.
- 12) Unelte care au fost modificate sau deschise de către personal neautorizat.
- 13) Piese/componente rupte ca urmare a unei utilizări necorespunzătoare.
- 14) Unelte utilizate pentru închiriere.

Garanția acoperă numai înlocuirea gratuită a componentei care prezintă un defect de fabricație sau o defecțiune materială. În cazul lipsei unei piese de schimb specifice, societatea își rezervă dreptul de a înlocui scula cu un alt model corespunzător. După încheierea tuturor procedurilor de garanție, perioada de garanție a sculei nu se prelungește sau se reinnoiește. Înlocuirea unei piese de schimb cu taxă de reparație este acoperită de o garanție de 1 an de bună funcționare, sub rezerva respectării condițiilor de garanție. Piese de schimb sau scule înlocuite rămân în posesia societății noastre. Nu se aplică cerințe, altele decât cele menționate în acest formular de garanție, privind repararea sculelor electrice sau deteriorarea acestora. Legea greacă și reglementările aferente se aplică acestei garanții.

ГARANЦИЈА

MMK

Електрични алатки се произведени според строги стандарти, поставени од нашата компанија, кои се усогласени со соодветните европски стандарти за квалитет. Електрични алатки на нашата компанија се обезбедени со гаранција од 24 месеци за непрофесионална употреба, 12 месеци за професионална употреба и 12 месеци за полначи и батерии. Гаранцијата важи од датумот на купување на производот. Доказ за гаранциското право е документот за купување на алатката (малопродажна потврда или фактура). Под никакви околности компанијата нема да ги покрие соодветните трошоци за резервни делови и соодветно потребно работно време, освен ако не се претстави копија од документот за купување. Во случај поправката да мора да биде направена од нашиот сервизен оддел трошоците за превоз (до и од) е целосно задолжена од испраќачот (клиентот). Алатките мора да бидат испратени за поправка на компанијата или на овластена работилница на соодветен начин и транспортни средства.

ОСЛОБОДУВАЊА И ОГРАНИЧУВАЊА НА ГАРАНЦИЈАТА:

- 1) Резервни делови кои се носат природно како последица на користење (четки, кабли, прекинувачи, полначи, футери итн.).
- 2) Алатки оштетени како резултат на непочитување на инструкциите на производителот.
- 3) Алатките слабо се одржуваат.
- 4) Употреба на неправилно лубриканти или додатоци.
- 5) Алатки дадени на трети ентитети бесплатно.
- 6) Оштетување поради електрично поврзување на напон поинаку од оној што е наведен на плочата на апаратот.
- 7) Поврзување со неземеен напој.
- 8) Промена на напонот на струјата.
- 9) Оштетување како резултат на употребата на солена вода (на пример, машини за перење, пумпи).
- 10) Оштетување или нефункционирање како резултат на неправилно чистење на алатката.
- 11) Контакт на алатката со хемикалии, или оштетување како резултат на влага или корозија.
- 12) Алатки кои биле модифицирани или отворени од страна на неовластениот персонал.
- 13) Скршени делови/компоненти како резултат на несоодветна употреба.
- 14) Алатки кои се користат за изнајмување.

Гаранцијата покрива само бесплатна замена на компонентата која претставува производствен дефект или материјален неуспех. Во случај на недостаток на одреден резервен дел, компанијата го задржува правото да ја замени алатката со друг соодветен модел. По завршувањето на сите процедури за гаранција, гарантниот период на алатката не се продолжува или обновува. Замената на резервниот дел со наплата за поправка е покриена со 1 година гаранција за добро работење, под услов да се усогласат условите за гаранција. Резервните делови или алатки кои се заменети остануваат во сопственост на нашата компанија. Барањата, освен оние споменати во оваа гаранција, во врска со поправката или оштетувањето на електрични алатки, не важат. Грчкото право и релативните регулативи важат за оваа гаранција.

GARANCIA

HUN

Az elektromos szerszámok gyártása a vállalatunk által meghatározott szigorú szabványok szerint történik, amelyek összhangban vannak a vonatkozó európai minőségi szabványokkal. Cégünk elektromos szerszámaira nem professzionális használat esetén 24 hónap, professzionális használat esetén 12 hónap, a töltőkre és akkumulátorokra pedig 12 hónap garanciát vállalunk. A garancia a termék megvásárlásának napjától érvényes. A jótállási jog igazolása a szerszám vásárlását igazoló dokumentum (kiskereskedelmi blokk vagy számla). A vállalat semmilyen körülmények között nem fedezi a pótalkatrészek és a megfelelő szükséges munkórák vonatkozó költségeit, ha nem mutatják be a vásárlási dokumentum másolatát. Amennyiben a javítást szervizünknek kell elvégeznie, a szállítás (oda- és visszaszállítás) költségei teljes egészében a feladót (ügyfelet) terhelik. A szerszámokat javításra a megfelelő módon és szállítóeszközzel kell elküldeni a vállalathoz vagy egy erre felhatalmazott műhelybe.

GARANCIÁLIS MENTESSÉGEK ÉS KORLÁTOZÁSOK:

- 1) A használat következtében természetes módon elhasználódó pótalkatrészek (kefék, kábelek, kapcsolók, töltők, tokmányok stb.).
- 2) A gyártó utasításainak be nem tartása következtében sérült szerszámok.
- 3) Rosszul karbantartott szerszámok.
- 4) Nem megfelelő kenőanyagok vagy tartozékok használata.
- 5) Harmadik személyeknek ingyenesen átadott szerszámok.
- 6) A készüléktáblán feltüntetettől eltérő feszültségű elektromos csatlakozásból eredő károk.
- 7) Nem földelt áramforráshoz való csatlakoztatás.
- 8) Az áram feszültségének megváltozása.
- 9) Sós víz használatából eredő károk (pl. mosógépek, szivattyúk).
- 10) A készülék nem megfelelő tisztítási eljárásából eredő károsodás vagy meghibásodás.
- 11) A szerszám vegyi anyagokkal való érintkezése, vagy nedvességből vagy korrózióból eredő károsodás.
- 12) Olyan szerszámok, amelyeket illetéktelen személyek módosítottak vagy nyitottak fel.
- 13) A nem rendeltetésszerű használat következtében eltört alkatrészek/komponensek.
- 14) Bérbeadásra használt szerszámok.

A garancia csak a gyártási hibát vagy anyaghibát mutató alkatrész ingyenes cseréjére terjed ki. Egy adott pótalkatrész hiánya esetén a vállalat fenntartja a jogot, hogy a szerszámot egy másik megfelelő modellre cserélje. Az összes garanciális eljárás lezárását követően a szerszám garanciális ideje nem hosszabbítható meg és nem újítható meg. A javítási díjjal terhelt pótalkatrész cseréjére 1 év jótállás vonatkozik, a jótállási feltételek betartása mellett. A kicserélt pótalkatrészek vagy szerszámok cégünk tulajdonában maradnak. Az elektromos szerszámok javítására vagy sérülésére vonatkozó, a jelen jótállási nyilatkozatban említettéltől eltérő követelmények nem érvényesek. A jelen jótállásra a görög törvények és a vonatkozó előírások vonatkoznak.

GARANZIJA

MLT

L-ghodod tal-enerġija ġew manifatturati skont standards stretti, stabbiliti mill-kumpanija tagħna, li huma allinjati mal-istandards ta' kwalità Ewropej rispettivi. L-ghodod tal-enerġija tal-kumpanija tagħna huma pprovduti b'perjodu ta' 24 xahar għal użu mhux professjonali, 12-il xahar għal użu professjonali u 12-il xahar għal ċarġers u batteriji. Il-garanzija hija valida mid-data tax-xiri tal-prodott. Prova tad-dritt tal-garanzija hija d-dokument tax-xiri tal-ghodda (irċevuta jew fattura bl-innut). Taht l-ebda ċirkostanza l-kumpanija m'għandha tkopri l-ispiża rilevanti tal-ispare parts u s-siġhat tax-xogħol rispettivi meħtieġa sakemm ma tiġix ipprezentata kopja tad-dokument tax-xiri. F'każ li t-tiswija trid issir mid-dipartiment tas-servizz tagħna, l-ispiża tat-trasport (lejn u minn) tiffallas kollha kemm hi mill-mittent (klijent). L-ghodda għandha tintbagħat għat-tiswija lill-kumpanija jew lil hanut tax-xogħol awtorizzat bil-mod u l-mezzi tat-trasport xierqa.

EŻENZIONIJET U RESTRIZZJONIJET TA' GARANZIJA:

- 1) Spare parts li jilbsu b'mod naturali bħala konsegwenza tal-użu (xkupilji, kejbils, swiċċijiet, ċarġers, cökkijiet eċċ.).
- 2) Ghodod bil-ħsara bħala riżultat ta' nuqqas ta' konformità mal-istruzzjonijiet tal-manifattur.
- 3) Ghodod miżmuma hażin.
- 4) Użu ta' lubrikanti jew aċċessorji mhux xierqa.
- 5) Ghodod mogħtija lil entitajiet terzi mingħajr ħlas.
- 6) Danni dovuti għal konnessjoni elettrika b'vultaġġ differenti minn dak indikat fuq il-panja tal-apparat.
- 7) Konnessjoni ma' provvista ta' enerġija mhux ertjata.
- 8) Bidla fil-vultaġġ kurrenti.
- 9) Ħsara li tirriżulta mill-użu ta' ilma melaħ (eż., magni tal-ħasil tal-hwejjeġ, pompi).
- 10) Ħsara jew ħsara li tirriżulta minn proċedura ta' tindif mhux xierqa tal-ghodda.
- 11) Kuntatt ta' l-ghodda ma' kimiċi, jew ħsara bħala riżultat ta' umdiċi jew korrużjoni.
- 12) Ghodod li ġew modifikati jew miftuħa minn persunal mhux awtorizzat.
- 13) Partijiet/komponenti miksura bħala riżultat ta' użu mhux xierqa.
- 14) Ghodod użati għall-kera.

Il-garanzija tkopri biss is-sostituzzjoni mingħajr ħlas tal-komponent li jipprezenta difett fil-manifattura jew ħsara materjali. F'każ ta' nuqqas ta' spare part speċifika, il-kumpanija tirriżerva d-dritt li tissostitwixxi l-ghodda b'modell korrispondenti ieħor. Wara li jkun ġew konklużi l-proċeduri kollha ta' garanzija, il-perjodu ta' garanzija tal-ghodda ma għandux jiġi estit jew imgedded. Is-sostituzzjoni ta' spare part bil-ħlas tat-tiswija hija koperta minn garanzija ta' sena ta' operazzjoni tajba, soġġett għall-konformità mat-termini tal-garanzija. L-ispare parts jew ghodod li jiġu sostitwiti jibqgħu fil-pussess tal-kumpanija tagħna. Rekwiżiti, minbarra dawk imsemmija f'din il-formola ta' garanzija, rigward it-tiswija ta' ghodod tal-enerġija jew ħsara tagħhom, ma japplikawx. Il-liġi Griega u r-regolamenti relattivi japplikaw għal din il-garanzija.

GARANTÍA

ES

Las herramientas eléctricas han sido fabricadas de acuerdo con estrictas normas, establecidas por nuestra empresa, que están alineadas con las respectivas normas de calidad europeas. Las herramientas eléctricas de nuestra empresa tienen un período de garantía de 24 meses para uso no profesional, 12 meses para uso profesional y 12 meses para cargadores y baterías. La garantía es válida a partir de la fecha de compra del producto. La prueba del derecho de garantía es el documento de compra de la herramienta (ticket de compra o factura). La empresa no se hará cargo en ningún caso del coste de las piezas de recambio y de las respectivas horas de trabajo necesarias si no se presenta una copia del documento de compra. En caso de que la reparación tenga que ser realizada por nuestro departamento de servicio, el coste del transporte (ida y vuelta) correrá íntegramente a cargo del remitente (cliente). Las herramientas deberán ser enviadas para su reparación a la empresa o a un taller autorizado en la forma y medio de transporte adecuados.

EXENCIONES Y RESTRICCIONES DE LA GARANTÍA:

- 1) Piezas de recambio que se desgasten de forma natural como consecuencia de su uso (escobillas, cables, interruptores, cargadores, mandriles, etc.).
- 2) Herramientas dañadas como consecuencia del incumplimiento de las instrucciones del fabricante.
- 3) Herramientas mal mantenidas.
- 4) Utilización de lubricantes o accesorios inadecuados.
- 5) Herramientas cedidas gratuitamente a terceros.
- 6) Daños debidos a una conexión eléctrica a una tensión distinta de la indicada en la placa del aparato.
- 7) Conexión a una fuente de alimentación no puesta a tierra.
- 8) Cambio de la tensión de corriente.
- 9) Daños debidos al uso de agua salada (por ejemplo, lavadoras, bombas).
- 10) Daños o mal funcionamiento resultantes de un procedimiento de limpieza inadecuado de la herramienta.
- 11) Contacto de la herramienta con productos químicos, o daños como consecuencia de la humedad o la corrosión.
- 12) Herramientas que hayan sido modificadas o abiertas por personal no autorizado.
- 13) Piezas/componentes rotos como consecuencia de un uso inadecuado.
- 14) Herramientas utilizadas en alquiler.

La garantía cubre únicamente la sustitución gratuita del componente que presente un defecto de fabricación o fallo de material. En caso de falta de un repuesto específico, la empresa se reserva el derecho de sustituir la herramienta por otro modelo correspondiente. Una vez concluidos todos los procedimientos de garantía, el período de garantía de la herramienta no se ampliará ni renovará. La sustitución de una pieza de recambio con cargo de reparación está cubierta por una garantía de 1 año de buen funcionamiento, siempre que se cumplan las condiciones de la garantía. Las piezas de recambio o herramientas sustituidas permanecen en posesión de nuestra empresa. No se aplican otros requisitos, distintos de los mencionados en este formulario de garantía, en relación con la reparación de herramientas eléctricas o sus daños. La ley griega y las normativas relativas se aplican a esta garantía.

GARANCIJE

HR

Električni alati proizvedeni su prema strogim standardima, koje je postavila naša tvrtka i usklađeni su s odgovarajućim europskim standardima kvalitete. Električni alati naše tvrtke dolaze s jamstvom od 24 mjeseca za neprofesionalnu upotrebu, 12 mjeseci za profesionalnu upotrebu i 12 mjeseci za baterije i punjače. Jamstvo vrijedi od dana kupnje proizvoda. Dokaz o jamstvenom pravu je dokument o nabavi alata (potvrda o prodaji ili faktura). Tvrtka ni pod kojim uvjetima neće pokriti troškove rezervnih dijelova i potrebnih radnih sati ako kopija dokumenta o nabavi nije predočena. Ako popravak treba obaviti naša postprodajna služba, troškovi prijevoza (povratno putovanje) u potpunosti su odgovornost pošiljatelja (kupca). Alati se moraju poslati na popravak tvrtki ili ovlaštenoj radionici na odgovarajući način i odgovarajućim prijevoznim sredstvima.

IZUZEĆA I OGRANIČENJA JAMSTVA:

- 1) Rezervni dijelovi koji se prirodno istroše nakon uporabe (metla, kabeli, prekidači, punjači, stezne glave itd.).
- 2) Alati oštećeni kao rezultat nepoštivanja uputa proizvođača.
- 3) Loše održavani alati.
- 4) Upotreba nepravilnih maziva ili pribora.
- 5) Alati koji se besplatno daju trećim stranama.
- 6) Oštećenja zbog nepravilnog električnog priključka ili napona različitog od onog navedenog na pločici uređaja.
- 7) Priključak na nezemaljsko napajanje.
- 8) Neprihvatljiva fluktuacija napona.
- 9) Oštećenja nastala uporabom slane vode (npr. perilice rublja, pumpe).
- 10) Oštećenja ili kvarovi koji su posljedica nepravilnog postupka čišćenja uređaja.
- 11) Kontakt alata s kemikalijama ili oštećenja nastala vlagom ili korozijom.
- 12) Alati koje je modificiralo ili otvorilo neovlašteno osoblje.
- 13) Slomljeni dijelovi/komponente kao rezultat neprikladne uporabe.
- 14) Alati koji se koriste za iznajmljivanje.

Jamstvo pokriva samo besplatnu zamjenu komponente koja ima proizvodni nedostatak ili kvar hardvera. U slučaju da nedostaje određeni rezervni dio, tvrtka zadržava pravo zamijeniti alat drugim odgovarajućim modelom. Nakon završetka svih jamstvenih postupaka, jamstveni rok alata neće se produžiti ili obnoviti. Zamjena rezervnog dijela, kao i troškovi popravka, pokriveni su jednogodišnjim jamstvom na dobro funkcioniranje, uz poštivanje jamstvenih uvjeta. Rezervni dijelovi ili zamijenjeni alati ostaju u posjedu naše tvrtke. Zahtjevi, osim onih navedenih u ovom jamstvenom obrascu, koji se odnose na popravak električnih alata ili njihovo oštećenje, ne primjenjuju se. Grčko pravo i njegovi propisi primjenjuju se na ovo jamstvo.

GWARANCJA

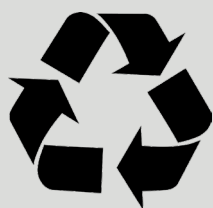
PL

Elektronarzędzia zostały wyprodukowane zgodnie z rygorystycznymi normami ustalonymi przez naszą firmę, które są zgodne z odpowiednimi europejskimi normami jakości. Elektronarzędzia naszej firmy są objęte 24-miesięcznym okresem gwarancyjnym w przypadku użytku profesjonalnego, 12-miesięcznym okresem gwarancyjnym w przypadku użytku profesjonalnego oraz 12-miesięcznym okresem gwarancyjnym w przypadku ładowarek i akumulatorów. Gwarancja jest ważna od daty zakupu produktu. Dowodem prawa do gwarancji jest dokument zakupu narzędzia (paragon lub faktura). W żadnym wypadku firma nie pokryje odpowiednich kosztów części zamiennych i wymaganych godzin pracy, jeśli nie zostanie przedstawiona kopia dokumentu zakupu. W przypadku, gdy naprawa musi zostać wykonana przez nasz dział serwisowy, koszt transportu (do i z) jest w całości ponoszony przez nadawcę (klienta). Narzędzia muszą zostać wysłane do naprawy do firmy lub autoryzowanego warsztatu w odpowiedni sposób i środkami transportu.

WYŁĄCZENIA I OGRANICZENIA GWARANCJI:

- 1) Części zamienne, które zużywają się w sposób naturalny w wyniku użytkowania (szczotki, kable, przełączniki, ładowarki, uchwyty itp.).
- 2) Narzędzia uszkodzone w wyniku nieprzestrzegania instrukcji producenta.
- 3) Narzędzia źle konserwowane.
- 4) Używanie niewłaściwych smarów lub akcesoriów.
- 5) Narzędzia przekazane nieodpłatnie osobom trzecim.
- 6) Uszkodzenia spowodowane podłączeniem elektrycznym o napięciu innym niż wskazane na tabliczce znamionowej urządzenia.
- 7) Podłączenie do niezziemionego źródła zasilania.
- 8) Zmiana napięcia prądu.
- 9) Uszkodzenia wynikające z używania słonej wody (np. pralki, pompy).
- 10) Uszkodzenia lub nieprawidłowe działanie wynikające z niewłaściwego czyszczenia urządzenia.
- 11) Kontakt narzędzia z chemikaliami lub uszkodzenie w wyniku wilgoci lub korozji.
- 12) Narzędzia, które zostały zmodyfikowane lub otwarte przez nieupoważniony personel.
- 13) Uszkodzone części/elementy w wyniku niewłaściwego użytkowania.
- 14) Narzędzia używane do wynajmu.

Gwarancja obejmuje wyłącznie bezpłatną wymianę komponentu, który wykazuje wadę produkcyjną lub awarię materiałową. W przypadku braku określonej części zamiennej firma zastrzega sobie prawo do wymiany narzędzia na inny odpowiedni model. Po zakończeniu wszystkich procedur gwarancyjnych okres gwarancji na narzędzie nie zostanie przedłużony ani odnowiony. Wymiana części zamiennej za opłatą za naprawę jest objęta roczną gwarancją dobrego działania, pod warunkiem przestrzegania warunków gwarancji. Wymienione części zamienne lub narzędzia pozostają w posiadaniu naszej firmy. Wymagania inne niż wymienione w niniejszym formularzu gwarancyjnym, dotyczące naprawy lub uszkodzenia elektronarzędzi, nie mają zastosowania. Do niniejszej gwarancji mają zastosowanie przepisy prawa greckiego i przepisy pokrewne.



The instructions manual is also available in digital format on our website
www.nikolaoutools.com. Find it by entering the product code in the Search "Q" field.

Μπορείτε να βρείτε τις οδηγίες χρήσης και σε ηλεκτρονική μορφή μέσω της ιστοσελίδας μας
www.nikolaoutools.com. Αναζητήστε τις με τον κωδικό προϊόντος στο πεδίο Αναζήτηση "Q".