

# BI WMWG 71483E EU N

12NC: 859991620860

GTIN (EAN) code: 8003437616884

Whirlpool

SENSING THE DIFFERENCE



## Whirlpool built in front loading washing machine: Whirlpool built in washing machine, 7 kg - BI WMWG 71483E EU N

This Whirlpool built in Washing Machine features: white color. A spacious 7kg capacity. Our small compact appliance is the perfect solution for a small place. A fast, resource-efficient 1400 revolutions per minute spin speed. Exclusive 6th SENSE technology, that dynamically adapts settings to each specific load, ensuring ideal care for all your fabrics.

### 6th Sense Technology

Discover perfect care. 6th SENSE intelligent sensors adapt resources according to the size and type of load, offering time, energy and water optimization.

### SoftMove

SoftMove technology provides a drum motion during cycles, ensuring extra care for your delicate items.

### FreshCare+

100% Freshness even if you forget to unload. No need to adapt your schedule to the laundry chores: your garments will be protected from odours and creasing. FreshCare+ thanks to delicate steaming and tumbling action inhibits the proliferation of the main bad odour sources (inside the washer) for up to 6 hours after the cycle ends, while gentle tumbling prevents fixing of creases.

### Sense Inverter Motor

Silent performance. This Whirlpool Washing machine's innovative SENSE Inverter Motor is designed to ensure a long lasting, silent performance. Enjoy both ideal results and some extra peace and quiet.

### 1400 rpm

Outstanding speed. This Whirlpool Washing Machine features a 1400 rounds per minute spin speed.

### Super Energy efficiency: A+++ -10%

Unparalleled energy efficiency. This Whirlpool Washing Machine features an outstanding A+++ energy rating, reducing energy consumption by 10%.

### 7kg capacity

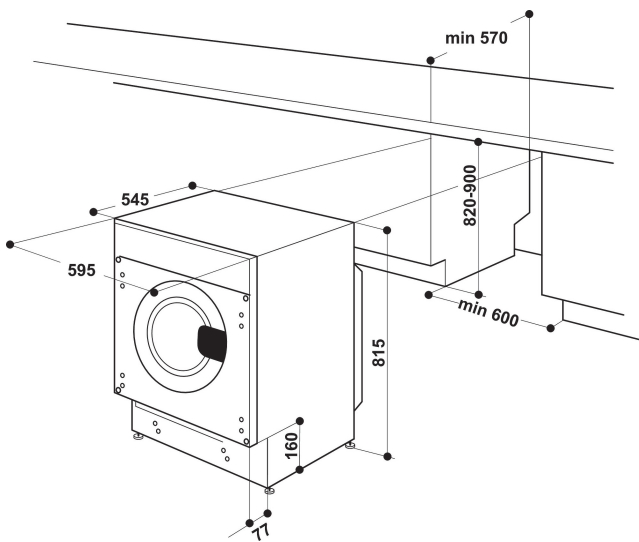
This Whirlpool Washing Machine offers 7kg drum capacity for your laundry.

### Fresh Care

Fresh, dry laundry. The FreshCare Option provides a gentle tumble cycle when the wash cycle is over, so your garments are fresh, dry and ready for you.

### Water protection system

Protection against leaks. The Aqua Stop protection system ensures the flow of water to your appliance is immediately interrupted, in case of leakage.



- Energy class A+++
- Washing capacity: 7 kg
- Maximun spin speed: 1400 rpm
- 6TH Sense Technology
- Water Safety: 1 Eltek
- SoftMove
- FreshCare+
- Daily mixed 40°C
- Rapid
- Eco Cotton
- Hand wash and Wool program
- Mixed Fabrics Program
- Special Big Items Program
- Sport
- Colours 15°
- Delicates
- Program Progress Indicators

# BI WMWG 71483E EU N

12NC: 859991620860

GTIN (EAN) code: 8003437616884

Whirlpool

SENSING THE DIFFERENCE

## MAIN FEATURES

Product group	Washing machine
Construction type	Built-in
Installation type	Built-in
Removable work top	No
Loading type	Front loader
Main colour of product	White
Electrical connection rating (W)	1850
Current (A)	10
Voltage (V)	220-240
Frequency (Hz)	50
Length of Electrical Supply Cord (cm)	120
Plug type	Schuko
Height of the product	820
Width of the product	595
Depth of the product	545
Net weight (kg)	66

## TECHNICAL FEATURES

Automatic programmes	Yes
Spin speed options	Variable
Skip spin	Yes
Weight measurement	-
Textile type recognition	No
Degree of dirtiness recognition	No
Foam control	Yes
Balance control	Yes
Type of water protection system	1 Eltek
Cold wash option	No
Progress indicator	DISPLAY
Digital countdown indicator	No
Start delay options	Continuous
Start delay time max. (h)	0
Tub material	Plastic
Drum volume (l)	52
Hot & cold water intake?	No
Gross weight (kg)	68
Height of the packed product	890
Width of the packed product	645
Depth of the packed product	595

ENERGIA - ЕНЕРГИЈА - ΕΝΕΡΓΕΙΑ  
ENERGIJA - ENERGY - ENERGIE  
ENERGI

WHIRLPOOL  
BI WMWG 71483E EU N

A+++ A++ A+ A B C D

157 kWh/annum

10840 L/annum

7 kg

46 dB

72 dB

2010/1061

## PERFORMANCES

Energy efficiency class - NEW (2010/30/EU)	A+++
Energy consumption annual (kWh/annum) - NEW (2010/30/EU)	157
Washing performance class	A
Maximum spin speed (rpm) - NEW (2010/30/EU)	1400
Capacity cotton (kg) - NEW (2010/30/EU)	7
Water consumption annual (l/annum) - NEW (2010/30/EU)	10840
Energy consumption 60 °C full load	0.822
Power consumption in left-on mode - NEW (2010/30/EU)	8
Power consumption in off-mode - NEW (2010/30/EU)	0.5
Moisture content % on dry load after max. spin - NEW (2010/30/EU)	53
Average washing time cotton 60°C (full load) - NEW (2010/30/EU)	270
Noise level washing (dB(A) re 1 pW)	46
Noise level spinning (dB(A) re 1 pW)	72