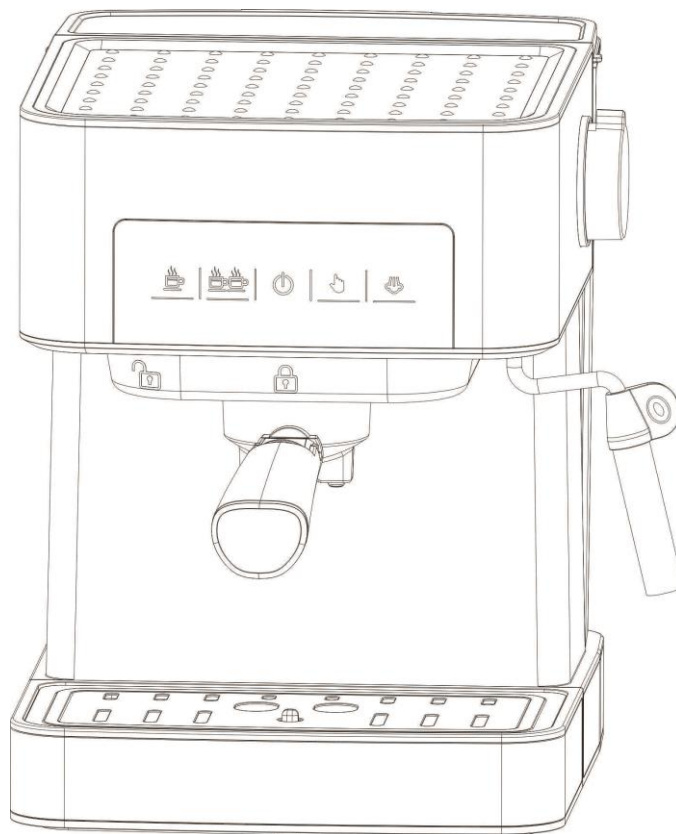


INSTRUCTION MANUAL

Espresso Coffee Machine

FEM-1794



Before operating this unit, please read the Instructions completely and follow them Step by Step

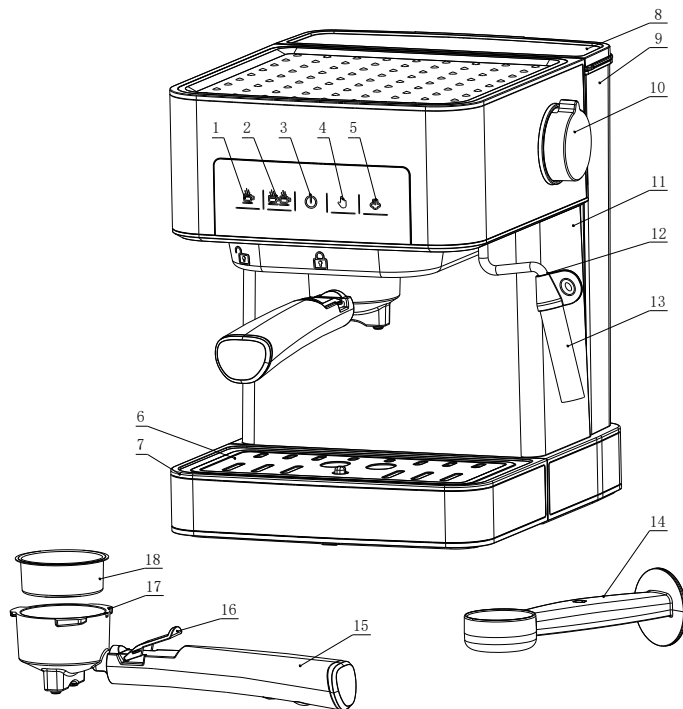
Product Introduction

This product is one of our company's coffee machine system (15 Bar Italian concentrated espresso coffee machine). This machine has a classic modeling. Rich coffee grease and foam, easy to operate and safe, easy to clean, let you taste the sweetness of Italian coffee at any time!

Features

1. Classic steady shape
2. Separate water tank, detachable drip tray
3. Adjustable steam, easy to froth milk foam
4. Can make a cup / two cups of coffee and manual hot water and coffee
5. Cup-warming function

Components



1. Auto Single Cup
2. Auto Double Cup
3. ON/OFF
4. Manual Cup
5. Steam
6. Drip Grid
7. Removable Drip Tray
8. Water Tank Lid
9. Water Tank
10. Steam Knob
11. Main Unit
12. Steam Wand
13. Steam Baffle
14. Measuring Scoop/Tamper
15. Porta-Filter Handle
16. Filter Retaining Clip

17. Filter Holder Body

18. Filter

2. **Attentions**

1. Check the voltage of the socket corresponds to the nameplate parameters of the coffee machine before using.
2. Keep your children away when using.
3. To protect against fire, electrical shock, do not immerse cord, plugs, or appliance in water or other liquids; do not damage, bend or stretch the power cord excessively; do not put weights on the power cord.
4. When cleaning or not using, please pull the plug first, then clean accessories after cooling.
5. Do not use it in high temperature, high magnetic field, or humid environment. Do not place it on a hot surface, fire or other electrical appliances, such as the refrigerator.
6. Do not turn it on if the wire or plug is damaged, the coffee machine is out of order, or damaged in any way. Contact the customer service via email.
7. Please use original accessories.
8. This machine is only used for making coffee. Please do not use it for other uses and put it in a dry environment.
9. Place the coffee machine on a flat surface or a table. Do not let the cord hang over the edge of a table or counter.
10. Ensure that the power cord does not touch hot surfaces of appliances.
11. When it is working, do not touch the surface of hot parts directly.
12. Regularly clean and maintain the components to ensure the quality of the coffee and extend its service life.
13. When the coffee machine is working, do not move or turn off the power at will.
14. Prohibit operating without water.
15. To ensure safety, please read the instructions carefully and use it with correct methods.
16. Do not put the coffee machine or power cord in water or other liquids to clean.
17. Do not use outdoors.
18. Please use water to cook twice to remove odor before first use.
19. For domestic use only, not for other purposes.
20. Please keep these brochures for future reference.

Operating Instruction

Before using for the first time

1. Pour water into water tank and the water level should not exceed the "max" mark.
2. Plug in and press the power button. At this time, the upper indicator light flashes blue. Press the Manual Cup to work the pump, pumping water from the water tank to the machine for heating.
3. The machine starts to preheat, at this time, the coffee switch indicator flashes; when the indicator light stops blinking and turns normal on, the warm-up is completed, it takes about 2 minutes.
4. Press the button "Auto Single Cup" to let the hot water out to wash the coffee filter and the cup.

How to make coffee

1. While the machine is preheating, you can put the ground coffee powder (you should use the No. 1 powder, not too thick or too thin) into the "filter" and then use the measuring spoon to press it tightly; at the same time, wipe the coffee powder on the edge of the funnel with a brush or hand (if you need to make 1 cup, use a cup of filter, and 2 cups with 2 cups of filter).
2. Insert the powder-filled funnel as indicated and lock it, then place the coffee cup under the funnel.
3. Press the "Auto Single Cup" button, and start to flow out a cup of coffee (or press the "double cup" button to flow out 2, or press the "manual coffee" button to flow out coffee as needed).
4. Adjust the position of the coffee cup at the same time, let the coffee flow along the cup wall.
5. Wait a minute for coffee dripping and the coffee is ready!

Steam foaming function

1. Press the "Steam" button, the indicator will turn red and flash until the indicator light changes from blinking to steady light and the preheating is complete.
2. Pour the whole milk of ice into the 1/3 of the pitcher, insert the steam nozzle into the surface of the milk at 1CM, and then slowly unscrew the "Steam Knob" until steam starts to eject.

(Note: The amount of steam can be adjusted according to the individual's proficiency. Before froth the milk foam, you should release the water in the steam tube.)

3. When the temperature of milk reaches about 75 degrees and the milk foam begins to expand, you can turn the “Steam Knob” to “OFF” and turn off the “Steam” button to make the indicator light turn blue, or press “ON/OFF” directly to turn it off.

(After the milk foam is completed, clean the milk on the surface of the steam nozzle with a damp cloth in time and spray the steam to prevent the milk from drying out and blocking the vent.)

4. Then shake the pitcher on the table so that the milk foam is fully blended and pour it into the cup with coffee.

(Note: Cocoa powder/chocolate sauce can be sprinkled according to personal preference; and various fancy utensils can be used to make a cup of Italian fancy coffee.)

Hot water function

1. After pressing the power button, the indicator light flashes blue and the machine starts to warm up. After the warm-up is completed, the indicator light flashes and turn on the “Steam Knob” until the steam nozzle flowing out hot water. It can be used for drinking, cleaning or heating cups.

2. When finished, turn off the “Steam knob”, then press the “ON/OFF” button.

Cleaning and Maintenance

1. Turn off the power and clean the coffee machine after completely cooling.

2. Wipe the exterior and some accessories of the coffee machine with a damp cloth or a cleaning sponge.

Note: Do not use alcohol or solvent cleaner and do not immerse the machine in water to clean.

3. Unscrew the coffee funnel and clean the coffee grounds in the filter.

Troubleshooting

Symptom	Reason	Correction
No water / no steam	<ol style="list-style-type: none"> 1. Whether the water tank has water/ is in place. 2.No water is added in advance in the machine. 3.The machine does not complete preheating. 	<ol style="list-style-type: none"> 1. Add water to the tank. 2. Method of watering: press the "Manual Cup" button, the pump starts pumping water into the machine until there is water in the steam nozzle or funnel. 3. The machine can make coffee after the warm-up is completed, that is, the indicator light changes from flashing to always being on.
No grease	Coffee powder is too thick / is not flattened	Change the coffee powder, use a measuring spoon to flatten it.
No steam	Steam hole blocked	<ol style="list-style-type: none"> 1. Use a small wire to poke the small hole in the bottom of the steam tube. 2. After the milk foam is finished, do a water-heater function to clean the steam tube.
Too much or little coffee	Coffee powder is filled too much or too little	According to the standard to add the powder, 1 cup with 1 scoop and flatten it, the coffee powder can not be too thick or too thin, it can not be completely extracted if it too thick, too thin can influence the amount of coffee.

Bad milk foam	<ol style="list-style-type: none">1. Is it whole milk?2. The steam button starts to froth milk foam before it is warmed up completely.	<ol style="list-style-type: none">1. Use whole milk.2. Start steaming after the steam indicator changes from red to steady.
---------------	---	--

Guarantee and Service

1. This product is guaranteed against defects in material and workmanship for a period of two years from the date of original purchase.
2. Within the guarantee period, the authorized service provider will repair any such defect or replace the product or any part of it, without charge, provided there is proof of purchase. Should a replacement be offered this will not extend the original guarantee period.
3. Please contact the Customer Service via email for any further queries.

The guarantee becomes invalid in the case of misuse, alteration or repair by unauthorized persons.