

**LIVOO**  
Feel good moments

Instruction manual

# Bagless multi-cyclonic vacuum cleaner



Reference : DOH105  
Version : 1.6  
Language : English

## Instruction manual

You have purchased a product LIVOO brand and we thank you. We take great care in design, ergonomics and ease of use of our products. We hope that this product will give you complete satisfaction.

This instruction manual is available too on our website [www.livoo.fr](http://www.livoo.fr)

### **SAFETY ADVICES**

PLEASE, TAKE TIME TO READ WELL THE INSTRUCTIONS FOR USE PARTICULARLY BEFORE THE FIRST USE. A misuse of the appliance can damage it or hurt the user. Assure that you use the appliance for the use for which it is designed; we refuse any responsibilities as for the damages by an incorrect use or a bad manipulation.

1. The appliance is intended for domestic use only. Commercial and industrial use may cause damages and will void warranty
2. Plug in your appliance to an earth socket.
3. Any use not respecting the usual precautions of the device removes any responsibility to the retailer of the importer or the manufacturer.
4. Before use check that the voltage of your wall outlet correspond to the rated voltage manner.
5. If the supply cord is damaged, it must be replaced by the manufacturer, its service agent or similarly qualified persons in order to avoid a hazard. (\*)
6. Do not immerse in water for cleaning
7. Close supervision is necessary when your appliance is being used near children or infirm persons.
8. Do not use the appliance if your hands are wet. Never

## Instruction manual

- use the appliance if gets wet and unplug it immediately.
9. Do not use the device if appliance fell, if there are visible signs of damage.
  10. Do not make roll on its cable
  11. Do not use this device to suck up incandescent or sharp objects (cigarette ends of cigarettes, lit (switched on) matches, hot ashes, nails).
  12. Do not use this vacuum cleaner to suck up pins, threads, cement, plaster, or quite different material of construction or decoration.
  13. Never suck up liquid products nor toxic matter, cleaners or gasoline (essence) or dangerous or flammable products. You would risk to damage seriously your device.
  14. This appliance can be used by children aged from 8 years and above and persons with reduced physical, sensory or mental capabilities or lack of experience and knowledge if they have been given supervision or instruction concerning use of the appliance in a safe way and understand the hazards involved. Children shall not play with the appliance. Cleaning and user maintenance shall not be made by children without supervision.
  15. Keep the appliance and its cord out of reach of children less than 8 years.
  16. Never use the appliance on somebody or on animals body
  17. Make sure to block never the zones of air inlets.

## Instruction manual

18. Keep the appliance away from heating surface
19. Never use the electric cable to raise, transport or disconnect the device.
20. The plug must be removed from the socket-outlet before cleaning or maintaining the appliance.
21. The appliance is not intended to be operated by means of external timer or separate remote control system.
22. This appliance is intended to be used in household and similar applications such as:
  - staff kitchen areas in shops, offices and other working environments
  - farm houses
  - by clients in hotels, motels and other residential type environments
  - bed and breakfast type environments


(\*) Competent qualified electrician: after sales department of the producer or importer or any person who is qualified, approved and competent to perform this kind of repairs in order to avoid all danger. In any case you should return the appliance to this electrician.

**Warning:**

- Do not lift by the vacuum hose.
- Keep hair, loose clothing, fingers away from openings and moving parts.

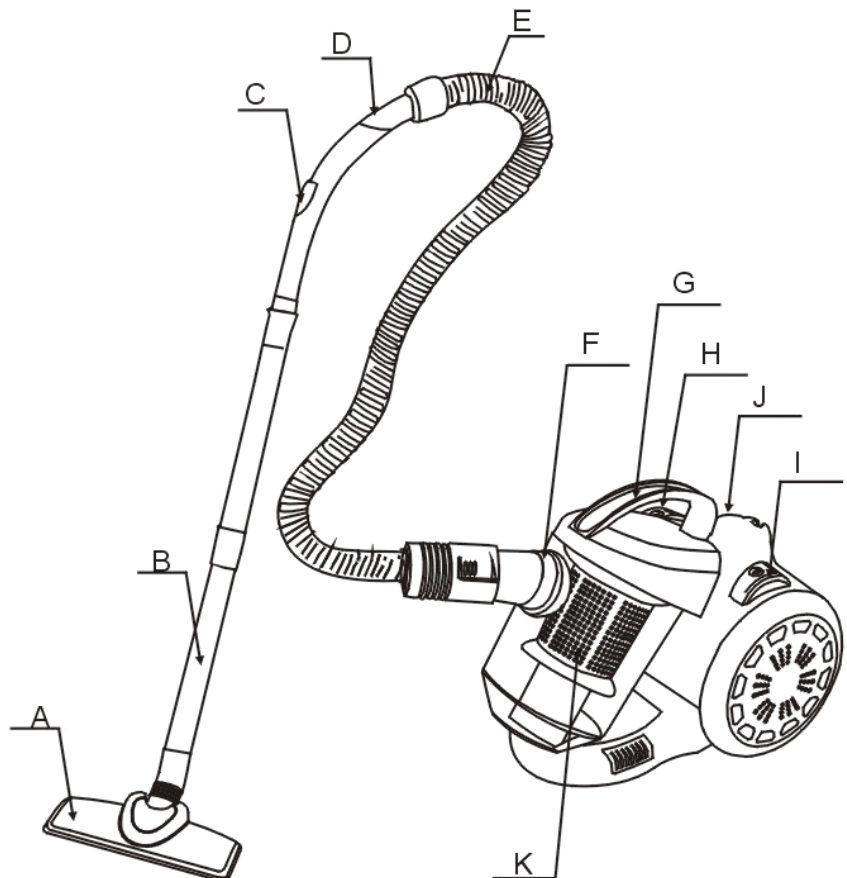
## Instruction manual

### SPECIFICATIONS

Voltage	AC220-240V 50-60Hz
Power	700W
Depression	≥ 18 Kpa
Decibel	78 dB
Electrical material : CLASS II	

### DESCRIPTION

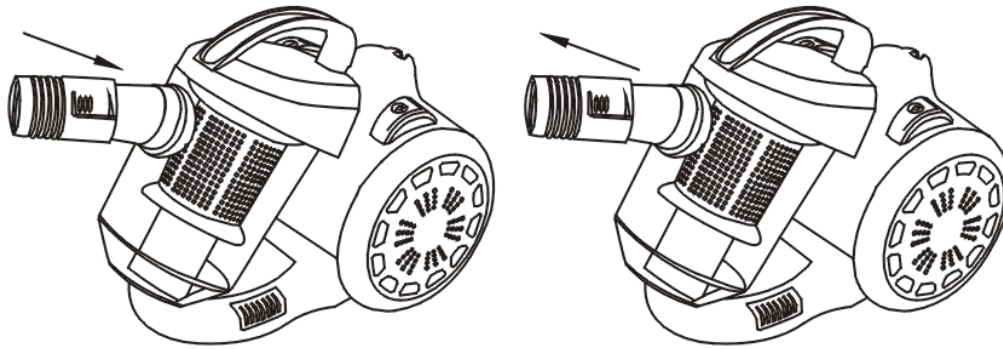
- A. Floor brush
- B. Tube
- C. Airflow Control
- D. Bend Tube
- E. Hose
- F. Hose connector
- G. Carry handle
- H. On/off switch
- I. Cord button
- J. Dust cup clip
- K. Plastic filter



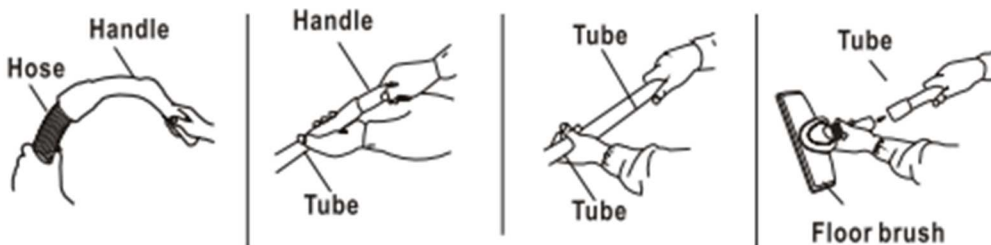
#### **Assembling:**

- Let the end of the hose insert into the air intake socket until clicking position.
- After using, push the button on the hose and pull the end out.

## Instruction manual



Fit the extension tube to the handle, tube and tube to floor brush as showing in the picture.

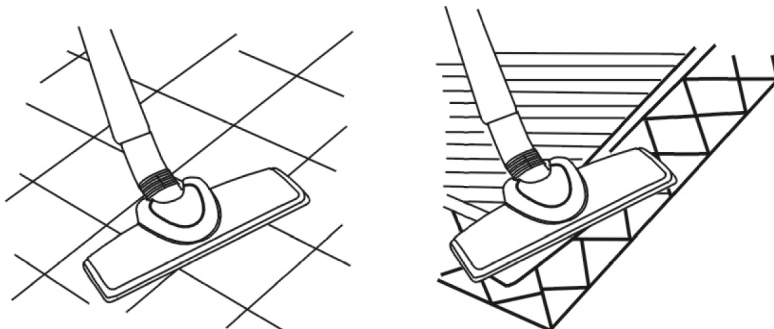


- Insert the handle into the tube.
- Assemble the 2 tubes.
- Insert the floor brush into the tube.

## USE

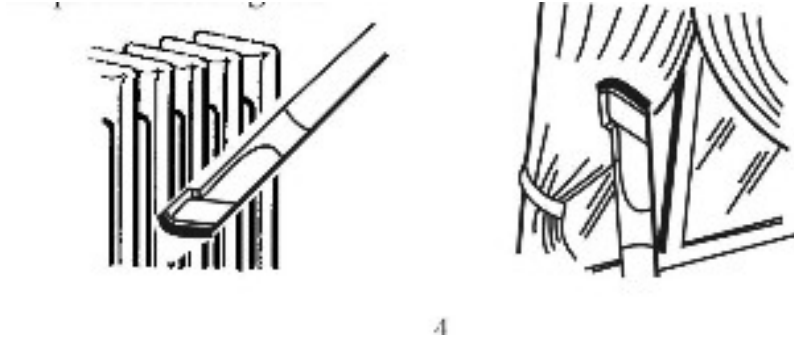
1. Pull out the wire to suitable length, insert the plug into power socket. Don't extend the cable beyond the yellow mark.
2. Press the switch to run the machine. The vacuum cleaner begins to work.
3. The part, which can adjust wind volume, is on the handle.
4. The speed control can adjust the power.

### Using accessories clean both hard floor and carpet



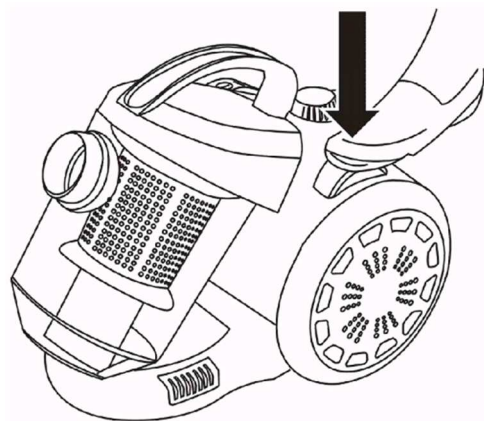
## Instruction manual

Using Crevice nozzle for cleaning .corners, edges of drawers, curtains, lamps and clothing etc.



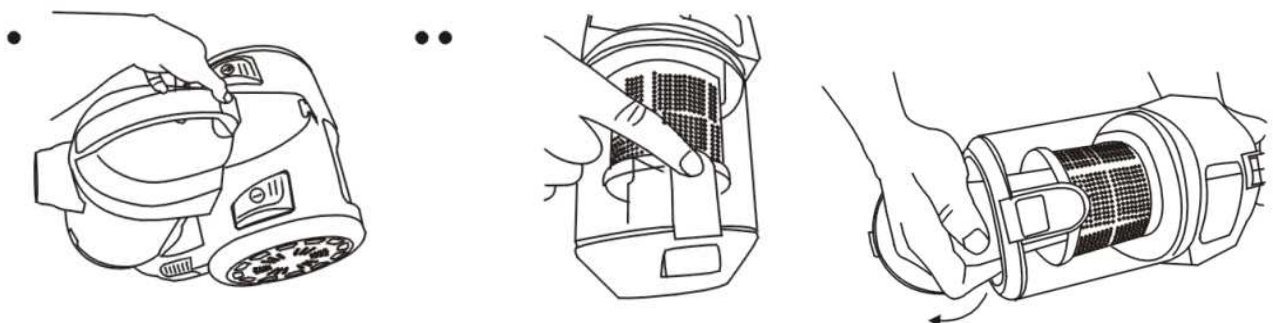
### After use:

- Your Vacuum Cleaner is equipped with an automatic cord rewind. When cleaning is finished switch the electricity off at the wall plug and disconnect the plug from the electrical outlet.
- Hold the plug and press the automatic cord rewind button with your foot to rewind the power cord.
- Avoid using your hand to press the cord rewind button.



### Replacing the Dust-cup

- When the dust reach to the 1/4 level in the dust-cup, it means dust-cup is full. At this moment, dust-cup should be emptied or the filter should be washed.
- Open the dust-cup as showing in the picture.



## Instruction manual

### CLEANING AND STORAGE

Note: Always remove the power plug from the wall outlet before carrying out any maintenance and wait it completely cooled down.

- Clean the outer shell of vacuum with damp cloth and dry it.
- Rub filter with soft brush and soapy water, keep it dry before restore.
- Never use abrasives liquids, spray or solvents.
- Never immerse the appliance in water or any other liquids.



**Correct disposal of the unit  
(Electrical and Electronic Equipment)**

(Applicable in the European Union and the rest of Europe that have adopted separate collection systems countries)

The European Directive 2012/19/EU on Waste Electrical and Electronic Equipment (WEEE), requires that old household electrical appliances must not be disposed of in the normal household waste stream. Old appliances must be collected separately in order to optimize the recovery and recycling of the materials they contain and reduce the impact on human health and the environment. The symbol of the crossed out dustbin is marked on all products to remind the obligations of separate collection. Consumers should contact their local authority or retailer for information concerning the correct disposal of their product.



**LIVOO**

**BP 61071**

**67452 Mundolsheim**

- Non contractual illustration
- Product information is subject to change without prior notice.