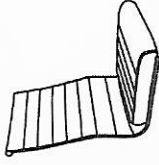

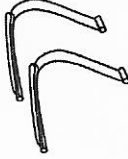

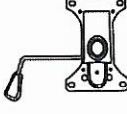


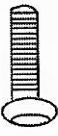
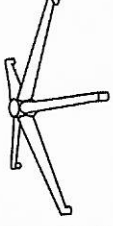



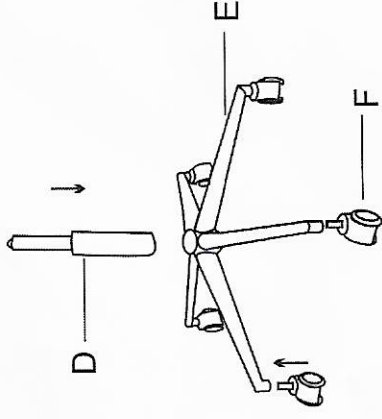
# ASSEMBLY INSTRUCTION

## ▽ PARTS x QTY

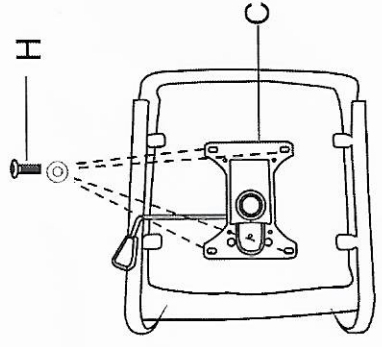
Ax1		Fx5	
Bx1		Gx1	
Cx1		Hx4	 M6*20
Dx1		Ix4	 M8*35
Ex1		Jx4	

## ▽ ASSEMBLY PROGRAM

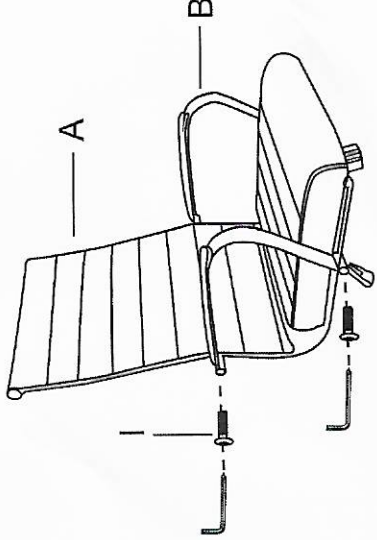
STEP 1



STEP 2



STEP 3



FINISH

