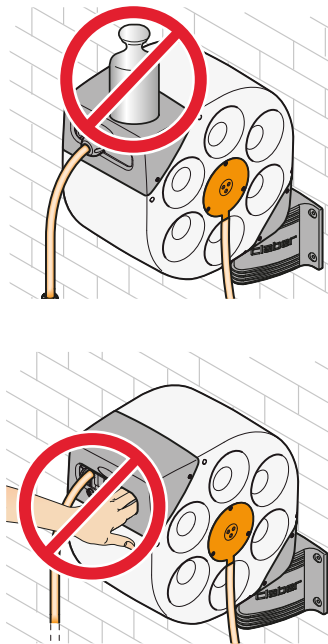


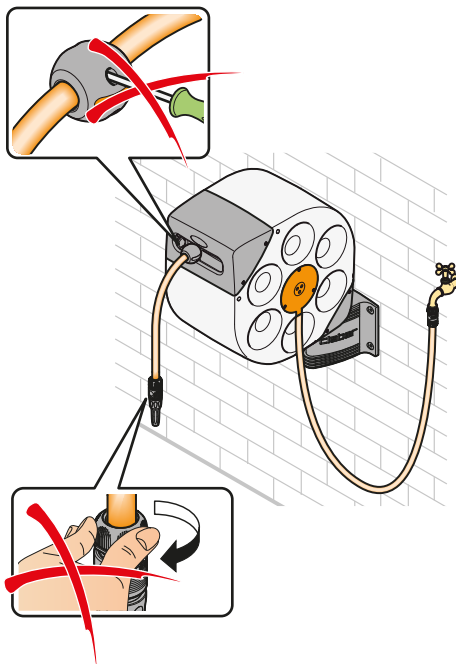
Safety warnings.

- **Do not open the Rotoroll to inspect it, to replace parts or repair it on your own.** The spring of the reel mechanism could come out of its seat and cause damages or injuries to persons, animals and/or things for which the manufacturer shall not be liable. For any problems with operation and/or replacement parts contact your Claber reseller and insist that only original spare parts, authorized by the manufacturer, shall be used. **Non compliance with this PROVISION will invalidate the warranty and relieve the manufacturer of all liability.**
- With the arrival of winter, remove Rotoroll from its support and store it indoors, so that it is not exposed to excessively rigid temperatures. Before doing this, remember to turn off the tap and to completely drain the water from the hose.
- Make sure that no sharp or pointed objects damage the hose!
- Make sure that children do not play with Rotoroll or any of its parts. Do not set any weight on top of the device (e.g. flower pots, etc...)
- After use, turn off the tap and walk the hose back to the reel. This way, apart from keeping your garden neat, the internal spring will not be subject to useless and prolonged tension.
- Never remove the coupling and the ball stop at the same time!

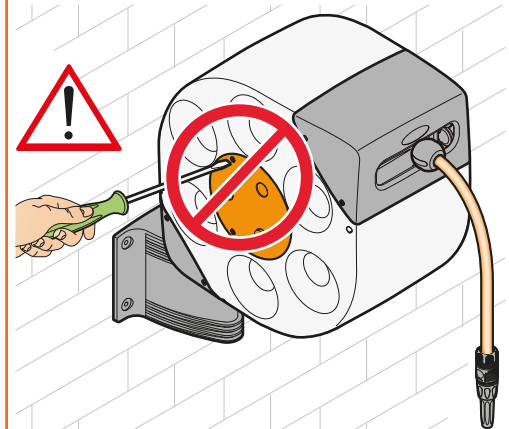
1



2



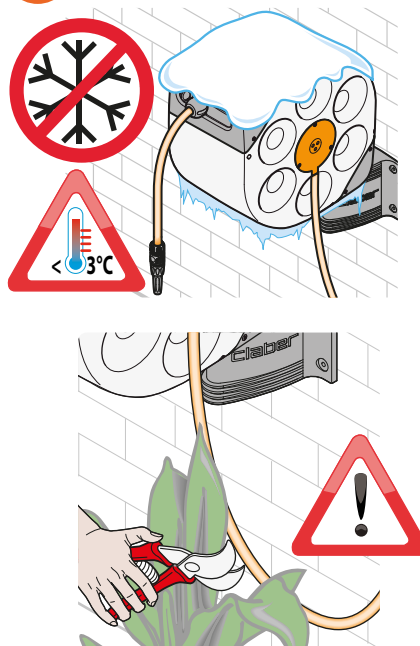
3



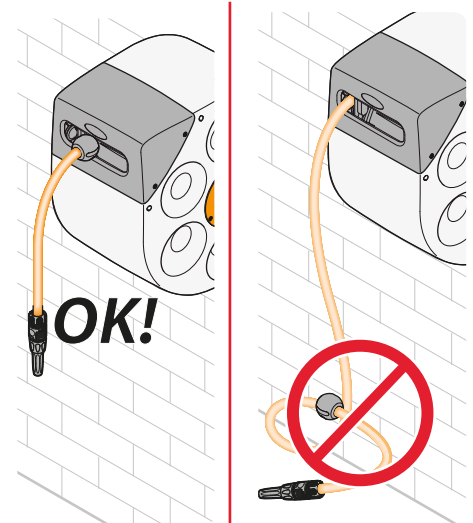
4



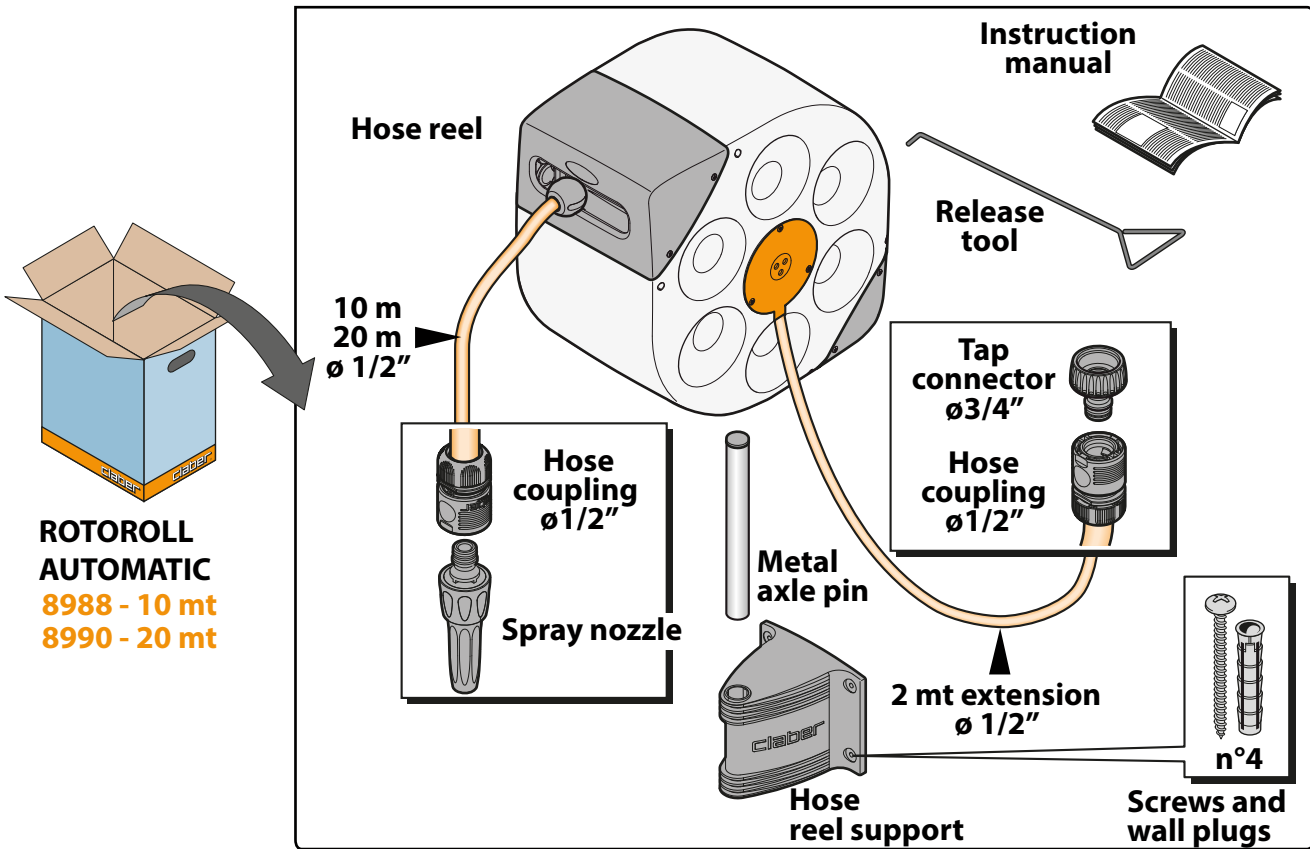
5



6

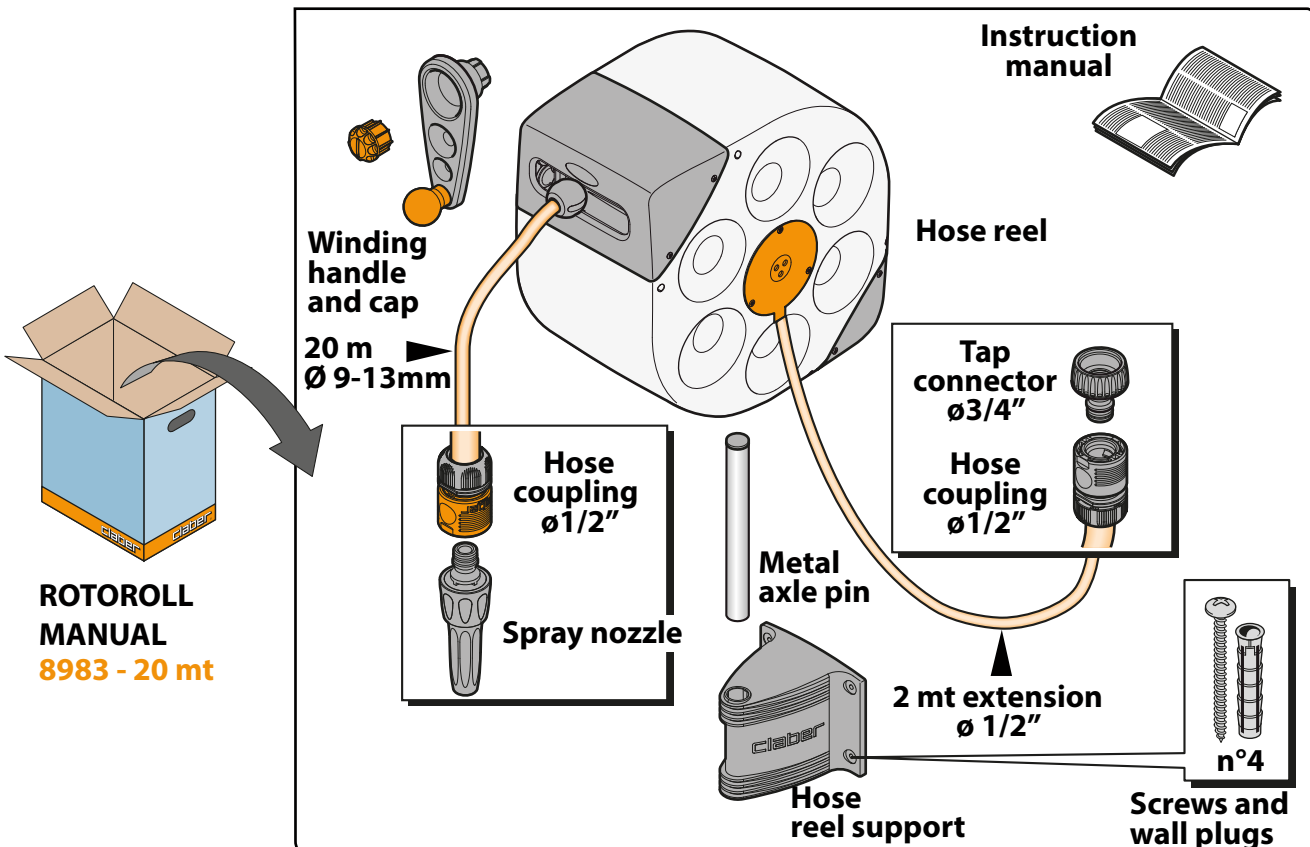


Parts supplied.



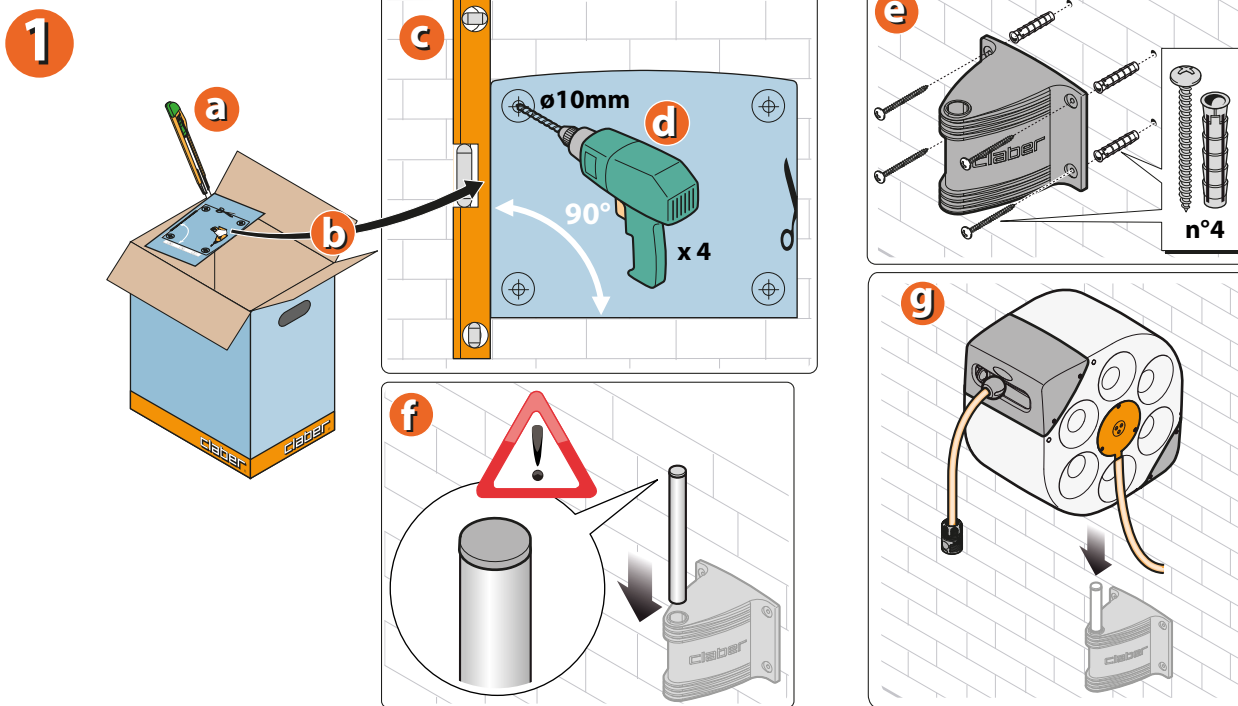
For Rotoroll (code): 8988 - 8990

Parts supplied.



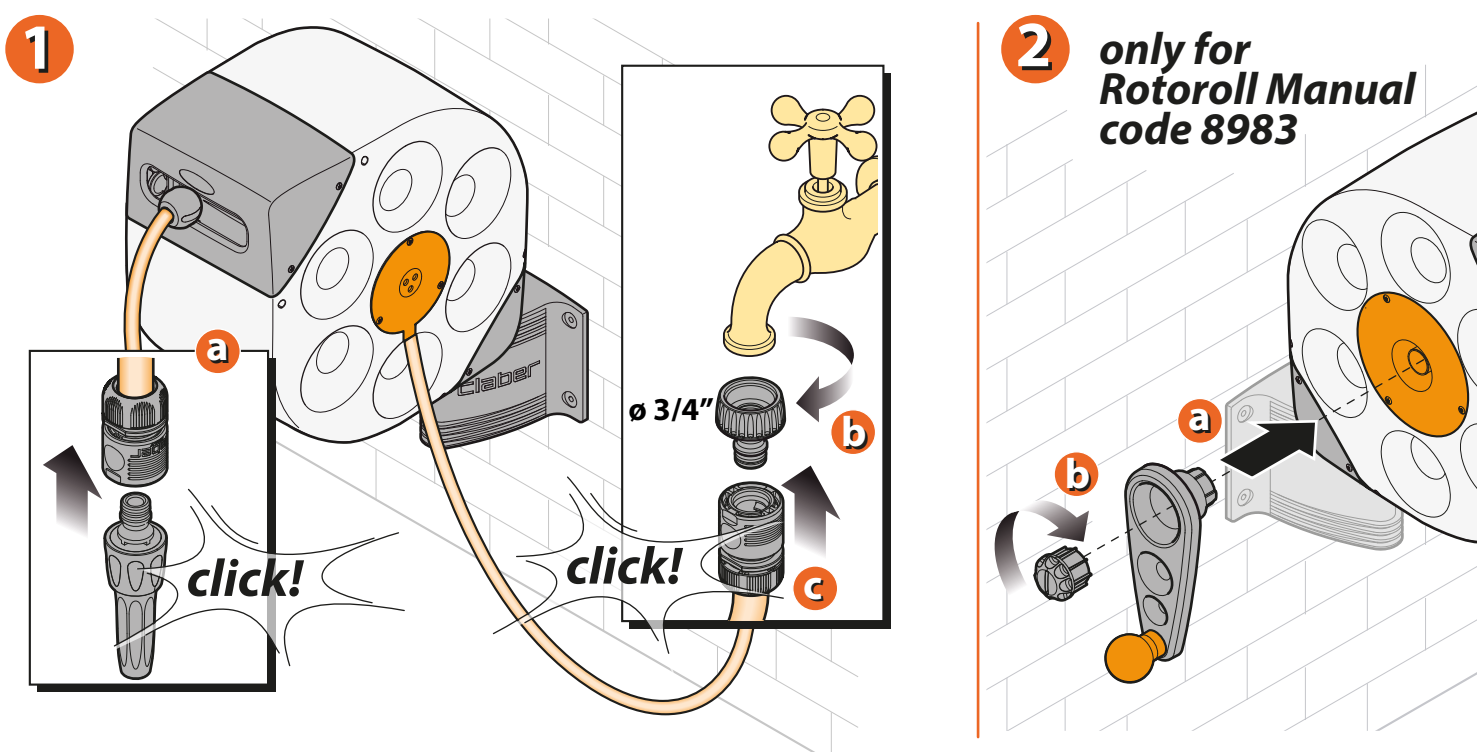
For Rotoroll (code): 8983

Assembly instructions. Cut out the template on the top of the package and secure it perfectly levelled on the wall chosen for installation. Choose the position carefully so that the hose reel will have enough space to turn 180°, with a distance from the top of no more than 1.5 m and a height from ground of no more than 75 cm. Using a 10 mm drill bit, drill 4 holes in the wall corresponding to the template and insert the wall plugs. Secure the hose reel support to the wall using the 4 screws supplied and then install the metal axle pin in its seat, making sure that the plastic plug is facing up. Install the hose reel on the axle pin.



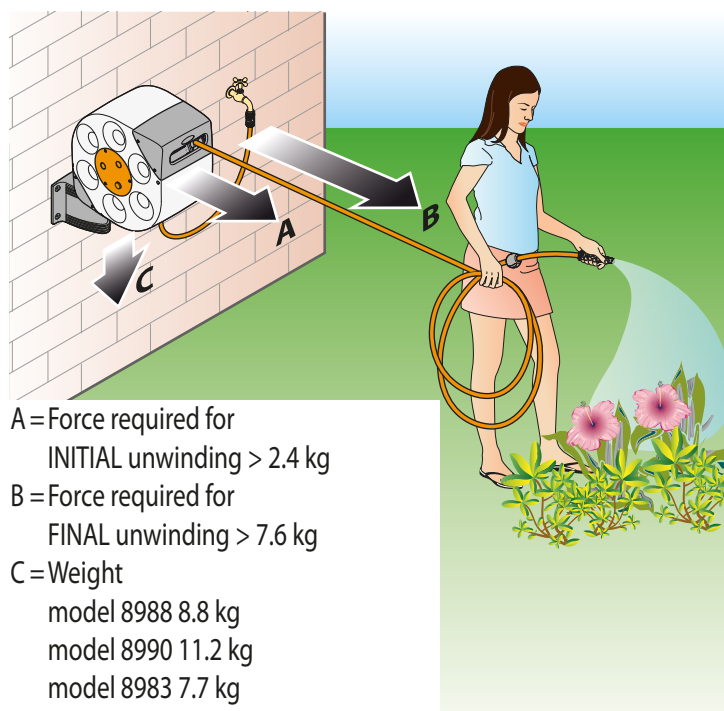
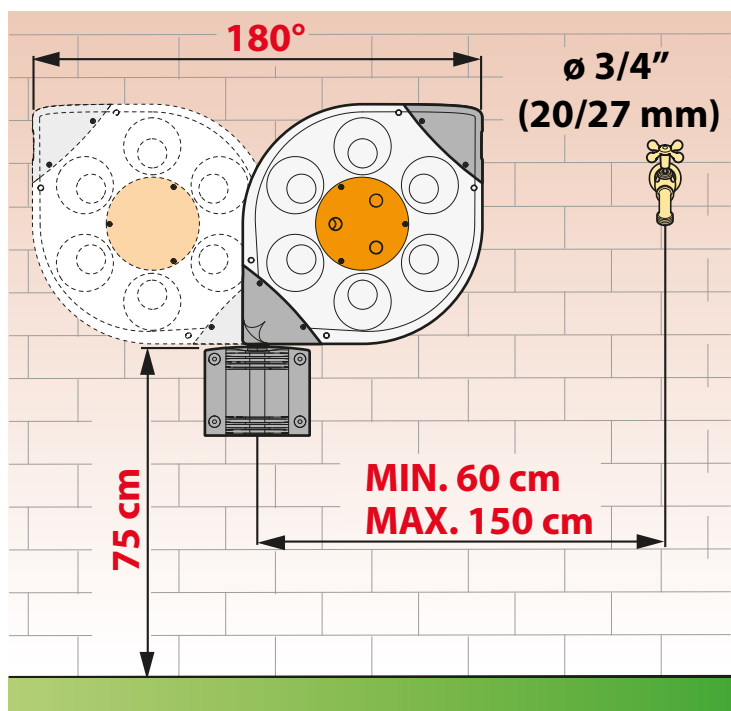
For Rotoroll (code): 8983 - 8988 - 8990

Connect the hose reel to the tap, using the "Extension" hose supplied with couplings and tap connector. The spray nozzle to the hose coupling. In Rotoroll Manual install the winding handle, making sure that it is inserted properly in its seat on the axle guides. Finish by screwing in the cap. Now, your Rotoroll is ready to be use!



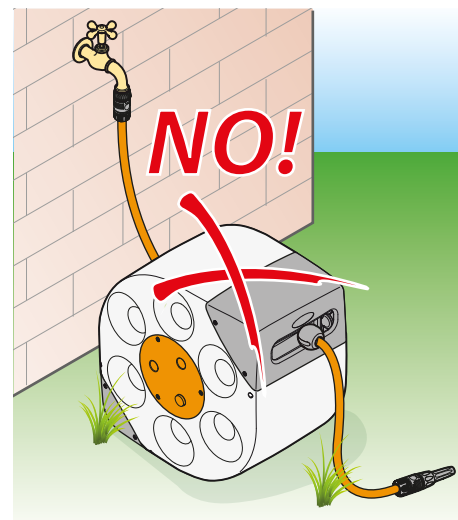
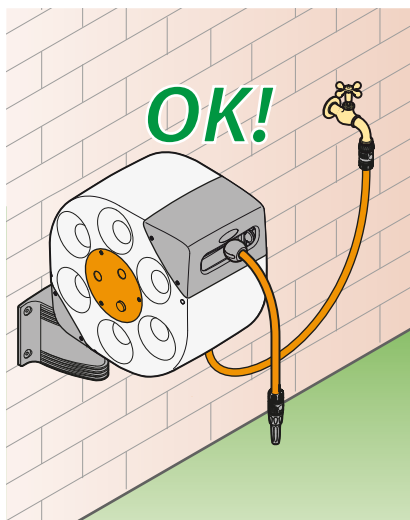
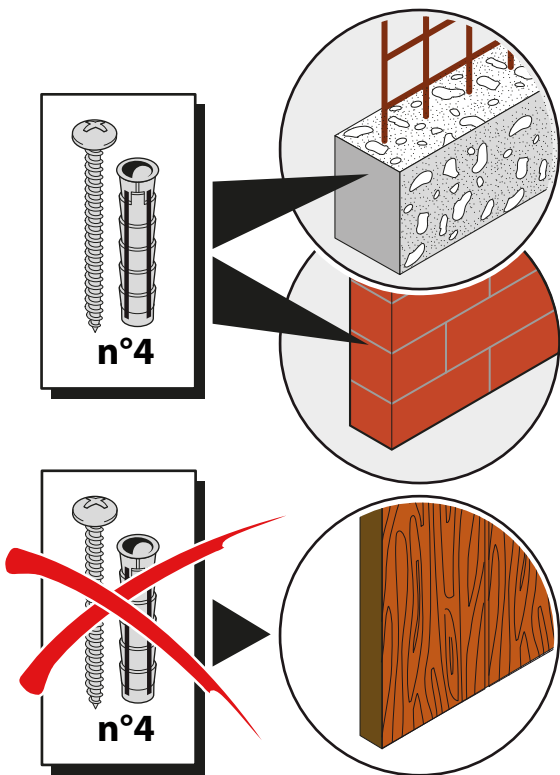
For Rotoroll (code): 8983 - 8988 - 8990

Safety Warnings for Assembly. Make sure that the wall is sturdy enough to hold up the weight of the reel and withstand the force required to unwind the hose full of water.



For Rotoroll (code): 8983 - 8988 - 8990

For installation on brick or cement walls, use the screws supplied. **For installation on any other surface, purchase appropriate screws and plugs.** Use ROTOROLL **only after having secured it to a wall**, complying with the specifications and distances indicated in this manual. Any damages resulting from the use of ROTOROLL lying directly on the ground **are not covered by the warranty.**



For Rotoroll (code): 8983 - 8988 - 8990

USE. ROTOROLL AUTOMATIC (cod. 8988/8990). This model automatically winds up the garden hose after use, keeping your green space always tidy and neat. In addition, it is equipped with a special **SOFTBLOCK SYSTEM** device that locks the hose while watering, avoiding accidental rewind in case it slips from your hands, for ease of use and safety.

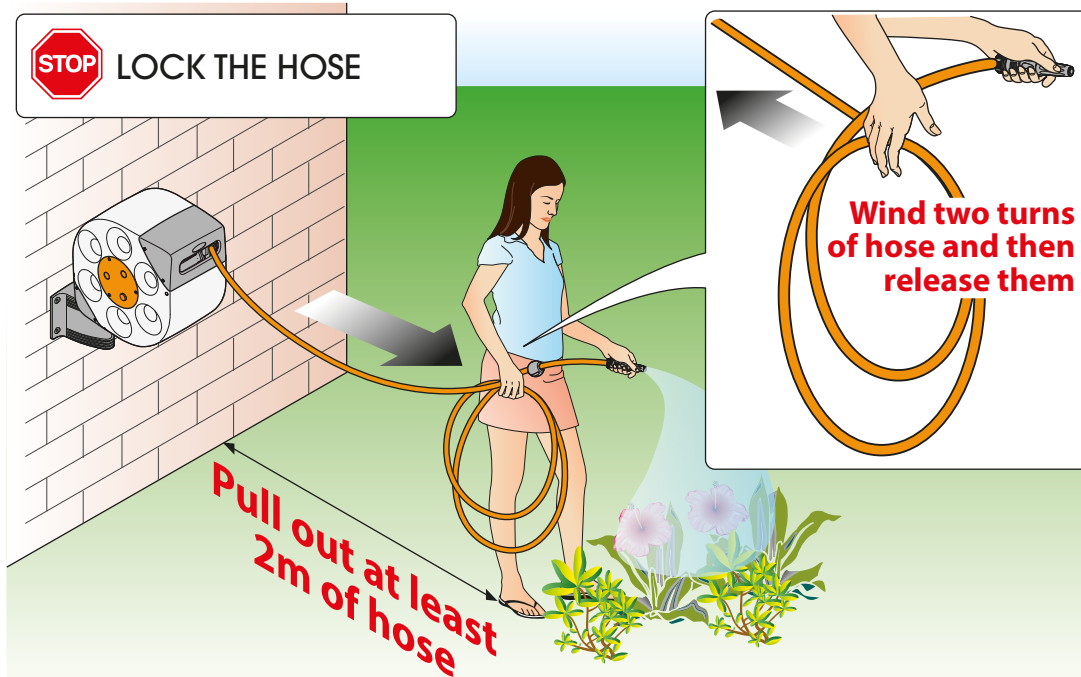
To lock the hose during watering:

- Pull out the required length of hose (**Attention! The SOFTBLOCK SYSTEM device comes into operation only if the length of hose unwound is longer than 2 metres**)
- Pull out another two coils of hose, holding them in your hands.
- Release the hold on the two coils: as the hose will begin to wind up, the SOFTBLOCK SYSTEM device will lock it into position.

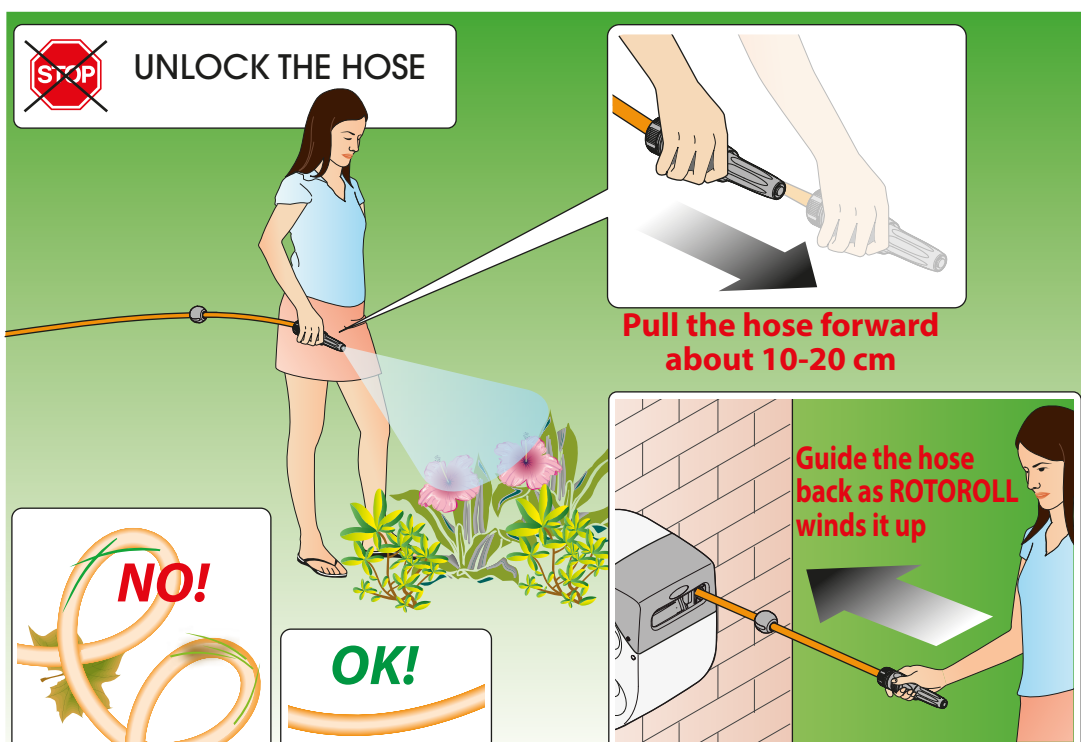
To unlock the hose and wind it back during watering:

- Pull the hose forward for about 10-20 cm to release the locking device SOFTBLOCK SYSTEM
- The hose must be walked back to the reel. If the hose accidentally slips from your hand, the safety SOFTBLOCK SYSTEM will automatically stop it. To unlock the hose, just pull it slightly forward.

1

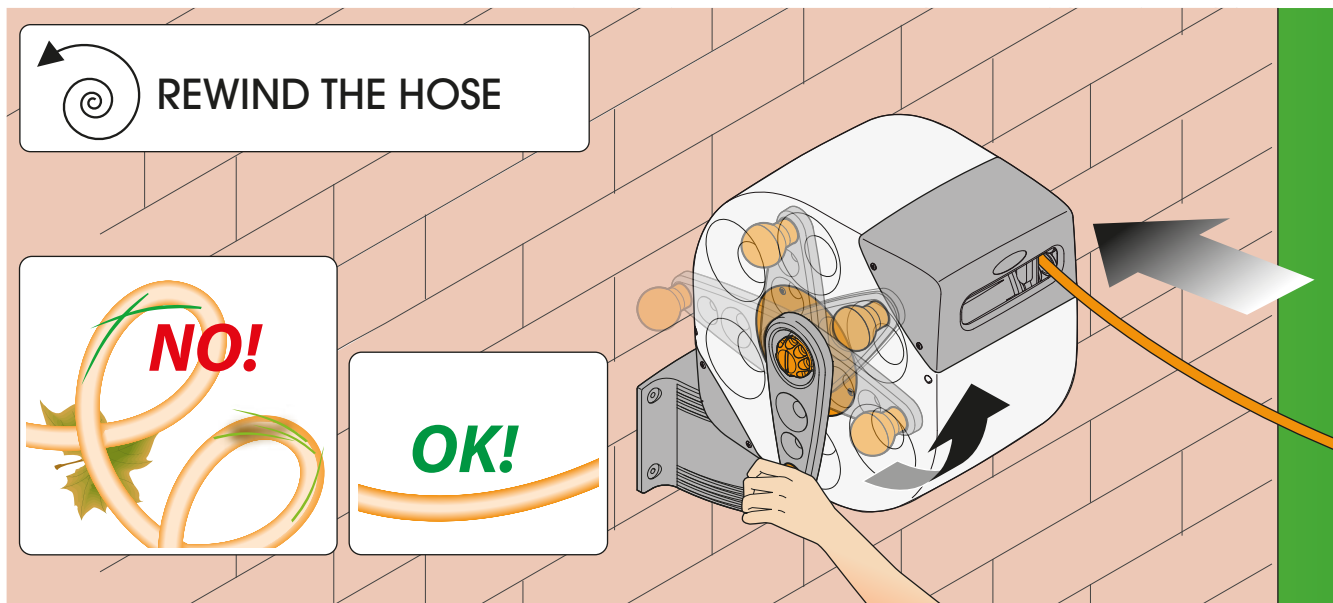


2



ROTOROLL MANUAL (code 8983). In this model, winding and unwinding the hose is performed manually. Through the winding handle provided on the left side.

1

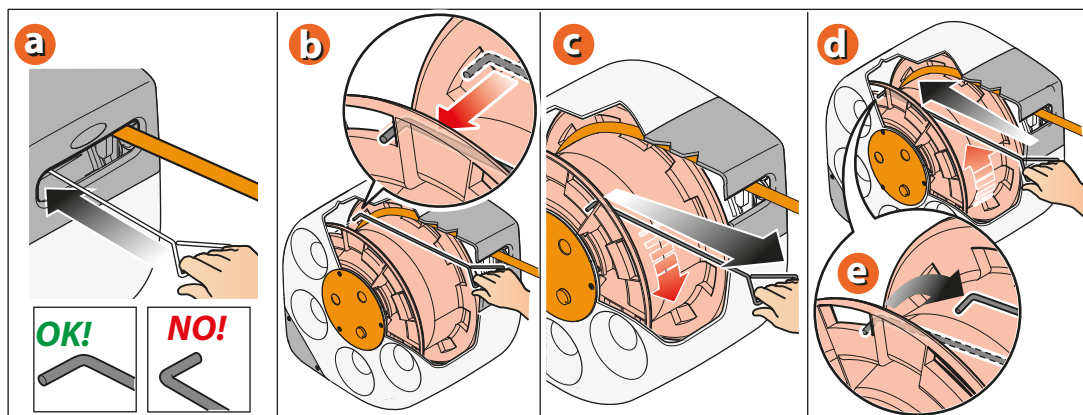
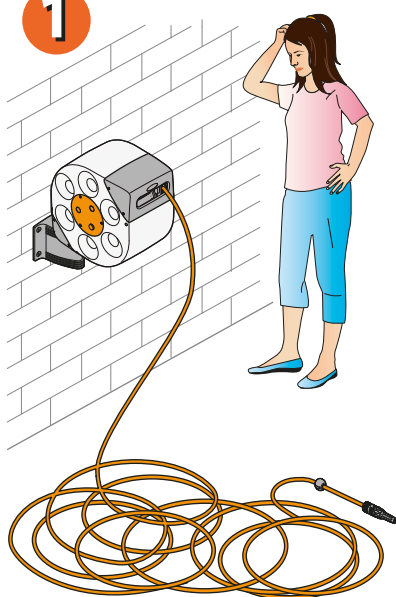


Per Rotoroll (cod.): 8983

USE. It can happen that, if the hose is tugged sharply when already pulled out to its full length, the winder mechanism will lock up. To release and rewind the hose, follow this simple procedure, using the hook tool provided:

- 1) Insert the tool fully into the casing, through the left hand side of the slot occupied by the hose, with the hook end pointing to the left.
- 2) Locate the tip in one of the gaps on the edge of the drum.
- 3) Pull the tool forward as far as it will come.
- 4) Allow the hook to ease back slowly into the casing as the drum is released and begins to turn. Twist the hook end slightly to the right to free it from the edge of the drum (e). Remove the tool completely and rewind the hose as normal.

1



Per Rotoroll (cod.): 8988 - 8990

MAINTENANCE. Before the arrival of winter, it is advisable to remove Rotoroll from its support and store it indoors, so that it is not exposed to temperatures below zero. Before doing this, remember to turn off the tap and to completely drain the water from the hose.

