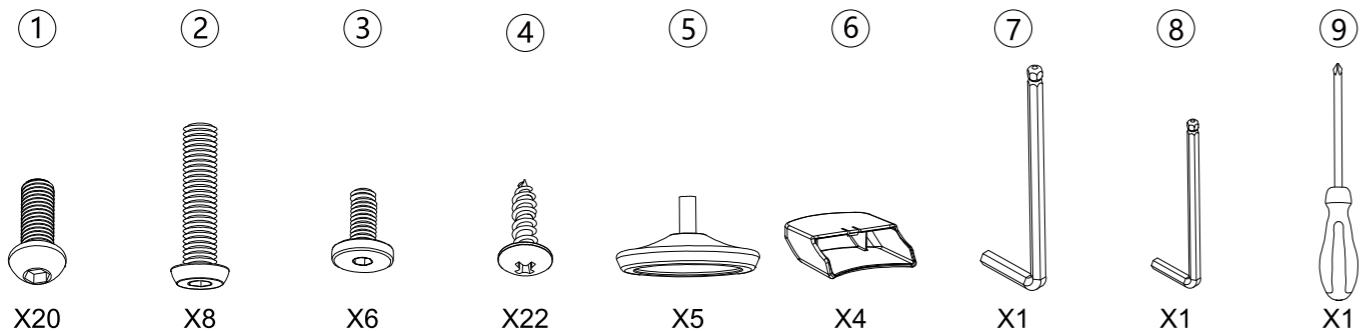
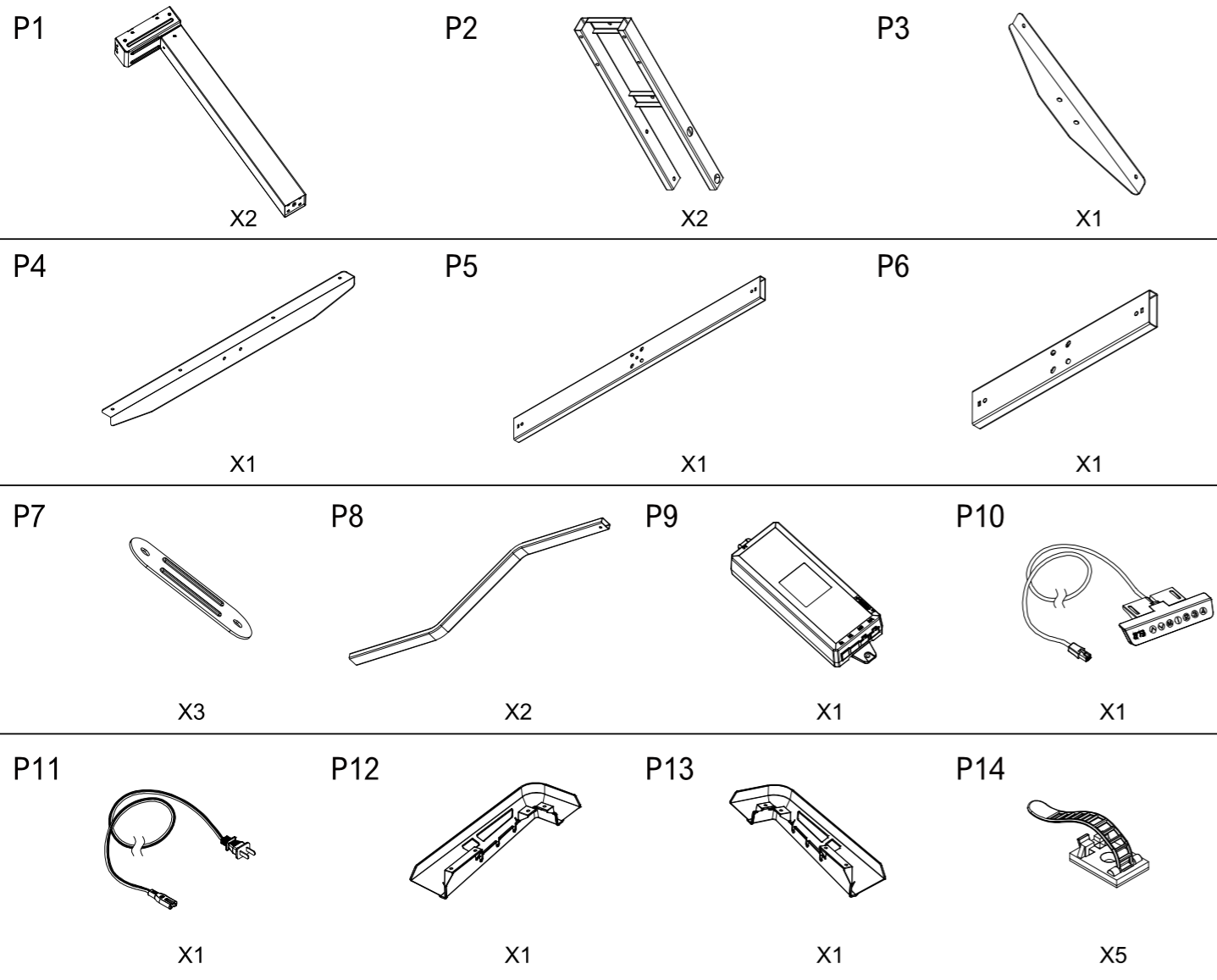


**Caution:** This instruction manual is intended for universal reference, slight variations in part dimensions are normal.  
(Manual Number: 602-09-0553)

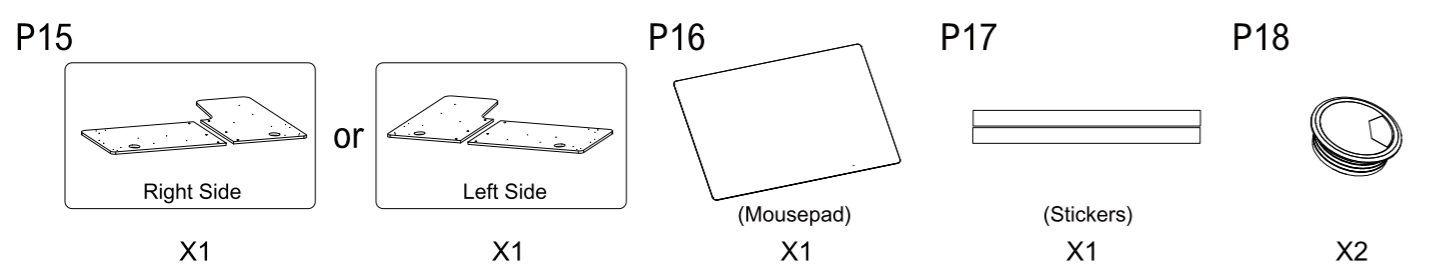
## COMPONENT



## DESK FRAME PARTS LIST

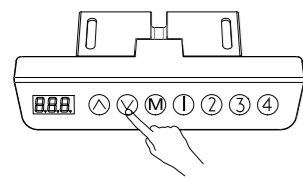


## DESK TOP PARTS LIST



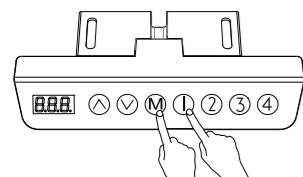
## 常见问题说明及解决办法

E01、E02	桌腿的插头线未插到控制盒上，或者未插紧 (重按向上键或向下键；如无效果，请检查桌腿的插头线是否插到位)
E03、E04	桌腿负载过重 (重按向上键或向下键；如无效果，请减轻桌子负载，否则需返厂处理)
E05、E06	桌腿位置传感器故障 (重按向上键或向下键；如无效果，请检查连接线是否脱落或者受损，否则需返厂处理)
E07	控制盒电源异常 (尝试断电重启；如无效果，请联系厂家更换控制盒)
E08、E09	桌腿故障 (尝试断电重启；如无效果，请联系厂家更换桌腿)
E10、E11	主控故障 (尝试断电重启；如无效果，请联系厂家更换控制盒)
E12	桌腿高度位置异常 (进行机械零点复位操作，即可正常使用)
E13	桌子的控制部件温度过高 (温度下降到正常温度后，即可正常使用)
E14、E15	桌腿机械卡死 (重按向上键或向下键；如无效果，请减轻桌子负载，否则需返厂处理)
E16	桌面倾斜 (进行零点位置复位操作，即可正常使用)
E17	控制盒关键数据丢失 (请直接联系厂家更换控制盒)
rST	输入控制盒电源有异常拔插 (查看电源线的插头插座是否有严重松动；若有，解决松动后进行零点位置复位操作，即可正常使用)



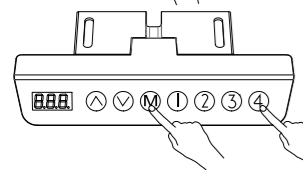
### 零点位置复位（重新学习机械最低点）

显示器显示“-ST”或显示“E16”时，长按下降键5秒等待控制器运行指示闪烁“---”，然后松开下降键进入到复位模式，桌面自动向下运行，到达机械最低零点后，桌面会自动向上运行到固定位置，复位过程结束。



### 恢复出厂设置参数

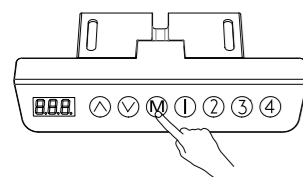
同时按住“M”+“1”键5秒，当数码管显示“CLr”，表示参数恢复成功。



### 锁定和解锁

锁定：同时按住“M”+“4”键5秒，当数码管显示“L”，表示系统已经锁定，无法对系统做升降操作。

解锁：同时按住“M”+“4”键5秒，当数码管从“L”显示到正常数字显示，表示系统已经解锁。



### 内部参数设置和说明

长按“M”键10秒，可以进入设置界面，显示屏显示“x-y”同时“x”闪烁，其中“x”为参数组，“y”对应不同参数值。此时按“M”可以切换参数组，按向上键或向下键可以对应调整参数的数值。设定完参数后长按“M”键10秒，返回运行界面。设定的参数如下：

显示内容	数字范围	设置参数	说明
R-y	0-1	显示制式	0表示公制/厘米显示，1表示英制/英寸显示；
b-y	0-9	防夹值	0表示关闭，1为最低灵敏度，9为最高灵敏度；
E-y	1-3	息屏时间	1表示30秒无操作后息屏，2表示智能息屏，3为不熄屏；

### 久站久坐提醒功能

桌子停留在预设的坐/站高度超过一定时间后（这个时间由APP设置，未设置过的设备系统默认时间为30到60分钟不等），显示器显示“chr”。

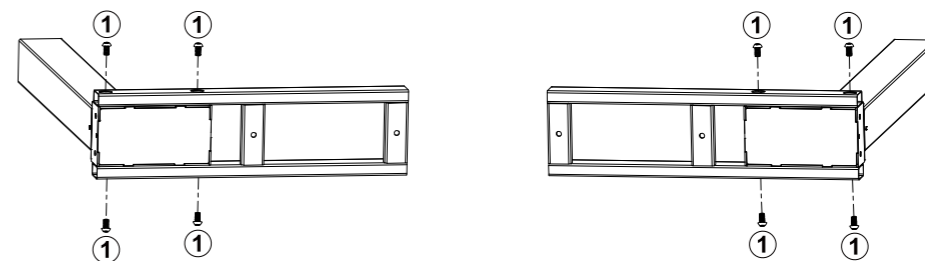
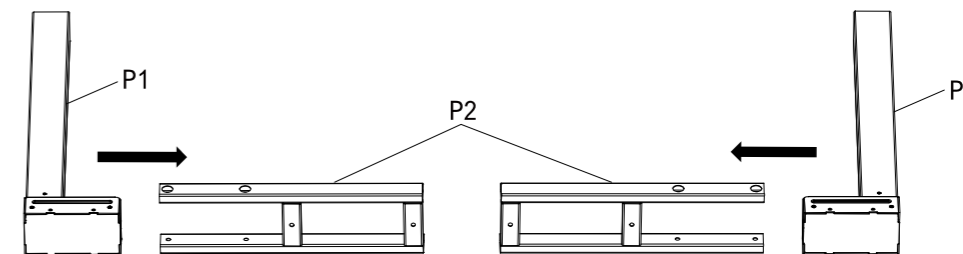
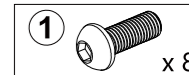
系统默认记忆位置1为坐姿高度，默认记忆位置2为站姿高度。

只有当桌子停留在记忆位置1或者记忆位置2时超过设定时间，系统才会进行提醒。

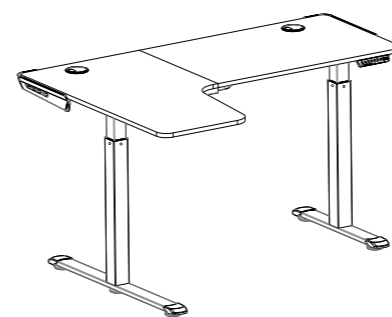
### 显示代码释义

u--	机器版本号	L	按键锁定
S--	位置保存	chr	久坐/久站提醒
-hi	桌面运行到软件最高位置	-Lo	桌面运行到软件最低位置
-uP	软件最高位置设定成功/取消成功	-dO	软件最低位置设定成功/取消成功
R-0/1	“0”显示厘米，“1”显示英寸	---	复位中
b-0/1/2/3/4/5/6/7/8/9	防夹灵敏度		

1



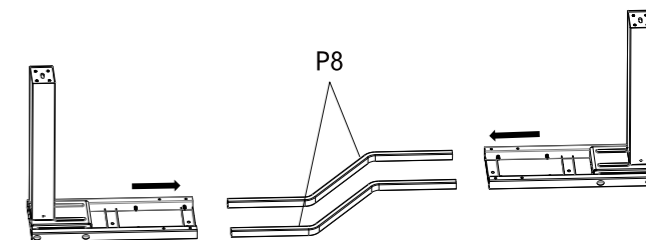
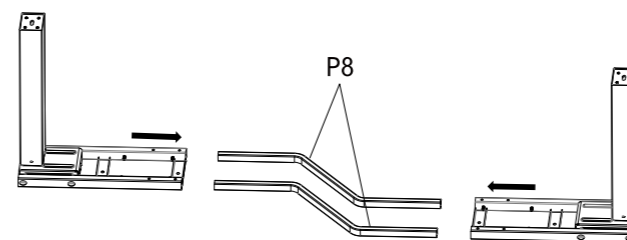
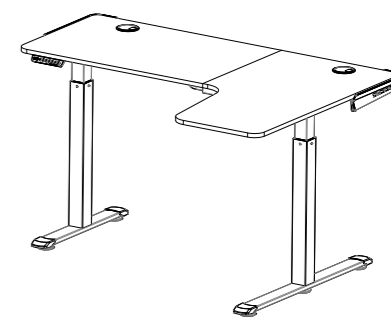
2-L



Left

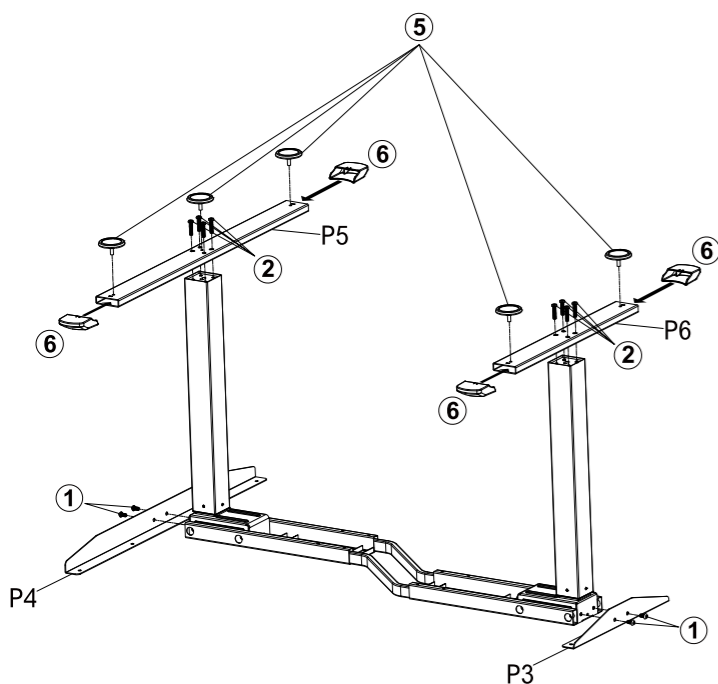
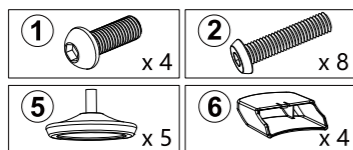
2-R

Right

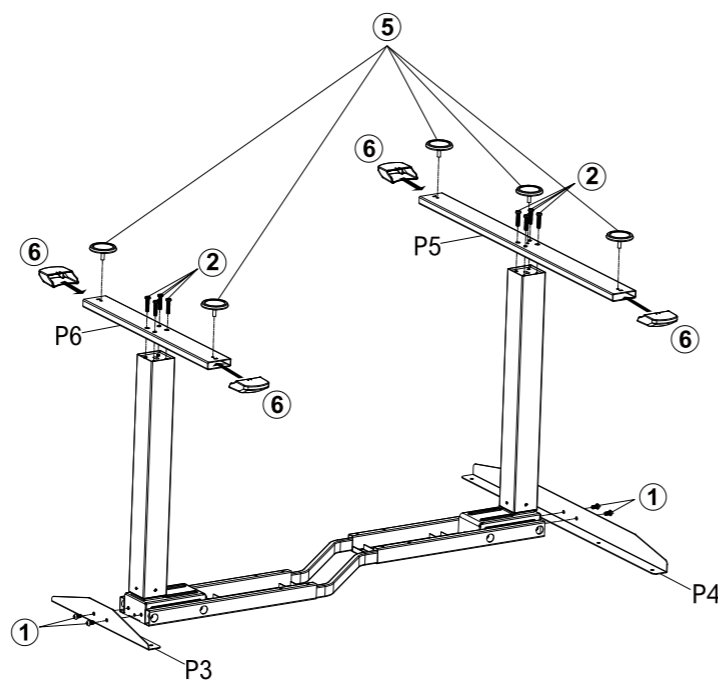
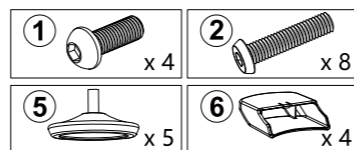


1

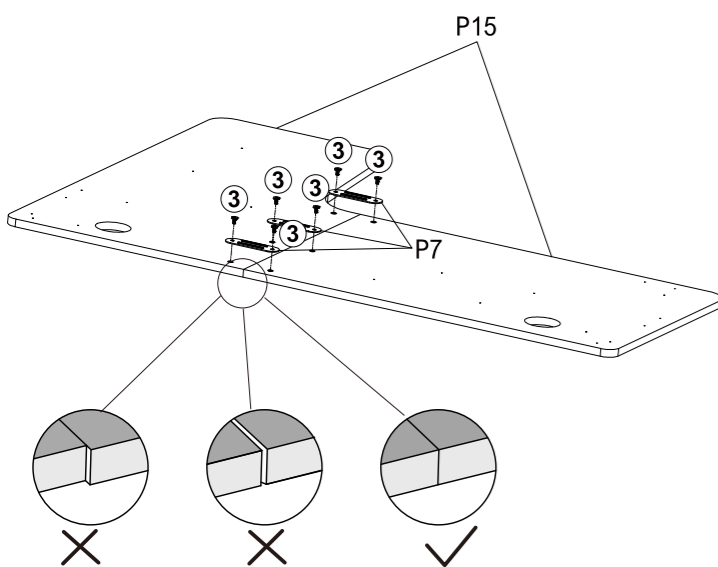
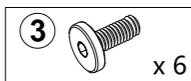
3-L



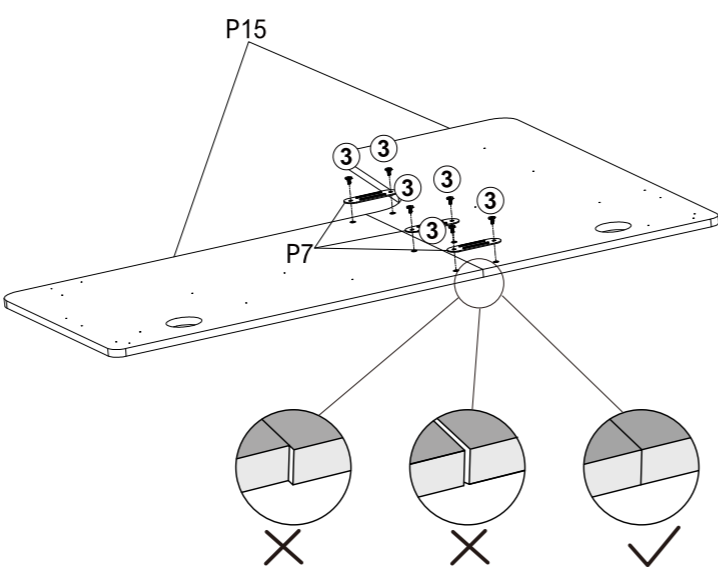
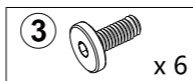
3-R



4-L



4-R

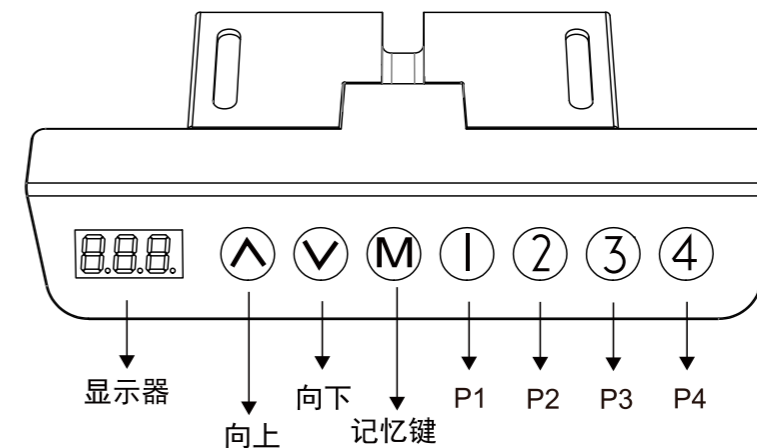


⚠ Before tightening the screws, you must ensure that the two desktop pieces are aligned and flush against each other.

⚠ Before tightening the screws, you must ensure that the two desktop pieces are aligned and flush against each other.

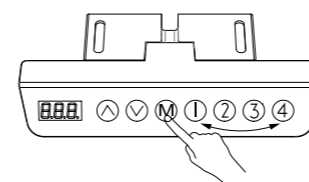
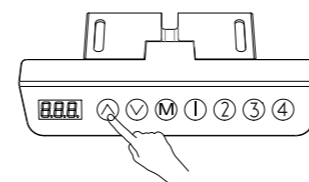
2

## 手控器操作说明



## 上下键操作

当按下  $\wedge$  键，桌面向上运行，直到到达桌面的最高点。  
当按下  $\vee$  键，桌面向下运行，直到到达桌面的最低点。  
当短按  $\wedge$  或者  $\vee$  键，桌面相应移动细小距离，实现点动。



## 位置存储/记忆位置查询/记忆位置运行

位置存储：可以存储4个记忆点，存储方法如下——让桌面运行到要设定的位置，然后按“M”键，显示器显示“5-”，同时“-”闪烁，此时按“1/2/3/4”键，存储此时位置到对应标号。

记忆位置查询：短按一次“1/2/3/4”键，显示器闪烁显示对应的记忆高度；

记忆位置运行：双击或者长按“1/2/3/4”键，桌面自动运行到记忆位置的高度。桌面升降时，点击任意键可中断桌面运动。

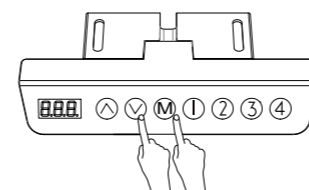
## 最低限位设定

系统支持桌面最低高度限定，操作方法为：让桌面运行到要设定的位置，同时按住“M +  $\vee$ ”键5秒，显示器显示“-d o”即表示最低位置存储成功。当桌面运行至最低限位点时，显示器显示“-L o”；

取消存储高度：

方法1：机械零点复位，系统自动取消。

方法2：让桌面运行到最低点，显示器显示“-L o”；同时按住“M +  $\vee$ ”键5秒，显示器显示“-d o”即表示取消成功。



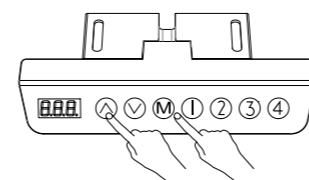
## 最高限位设定

系统支持桌面最高高度限定，操作方法为：让桌面运行到要设定的位置，同时按住“M +  $\wedge$ ”键5秒，显示器显示“-u P”即表示最高位置存储成功。当桌面运行到最高限位点时，显示器显示“-h i”；

取消存储高度：

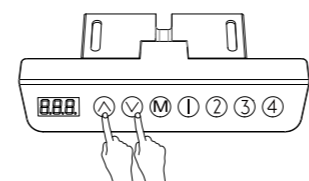
方法1：机械零点复位，系统自动取消。

方法2：让桌面运行到最高点，显示器显示“-h i”；同时按住“M +  $\wedge$ ”键5秒，显示器显示“-u P”即表示取消成功。



## 机械零点复位

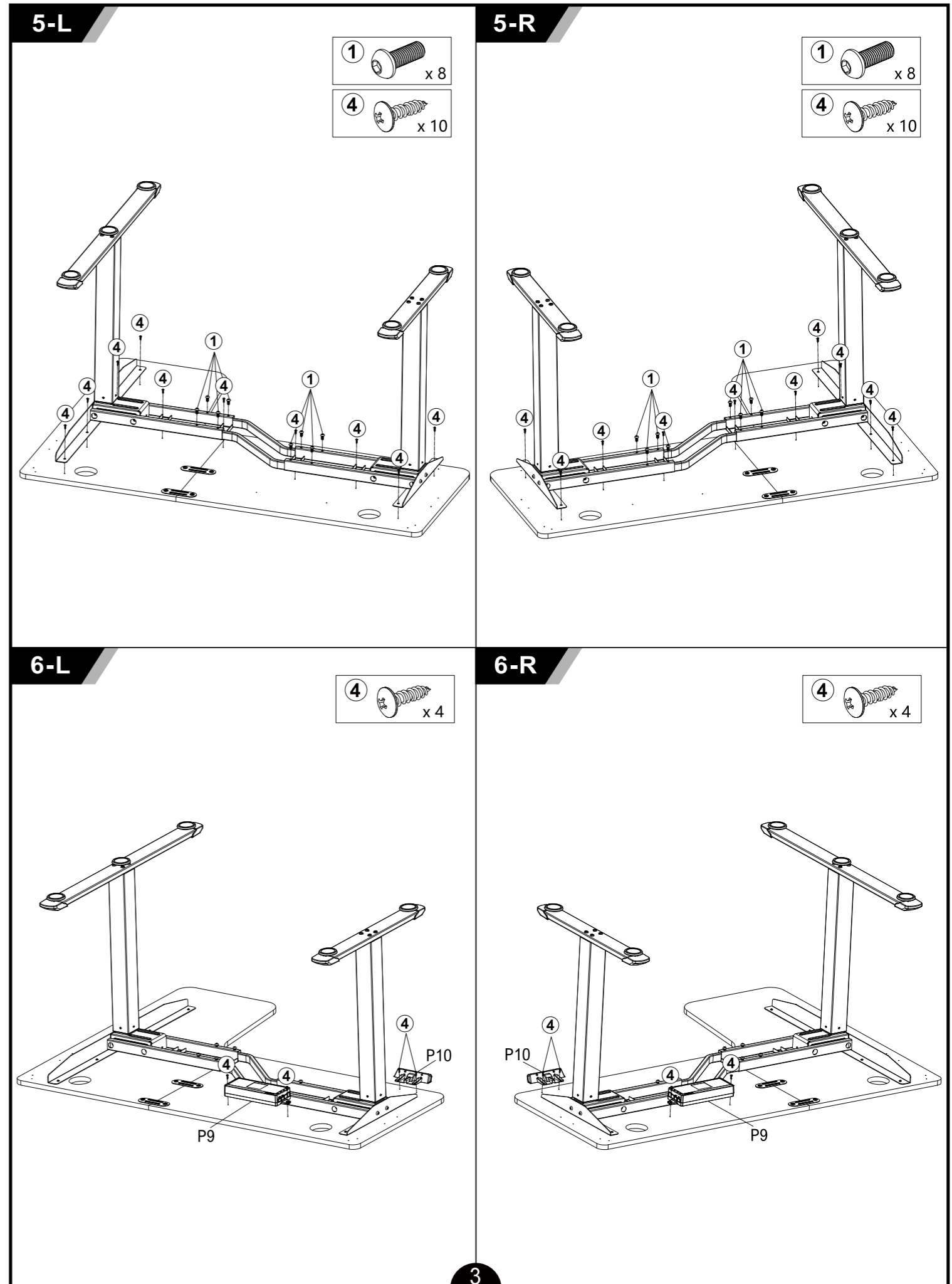
同时按住  $\wedge$  键和  $\vee$  键，直到显示“---”，自动进入初始化模式，桌面会自动运行；桌面停止后，初始化成功。

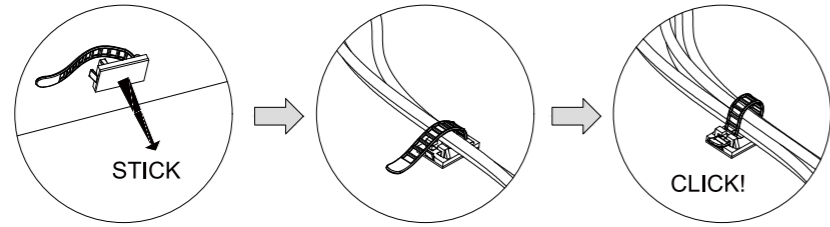
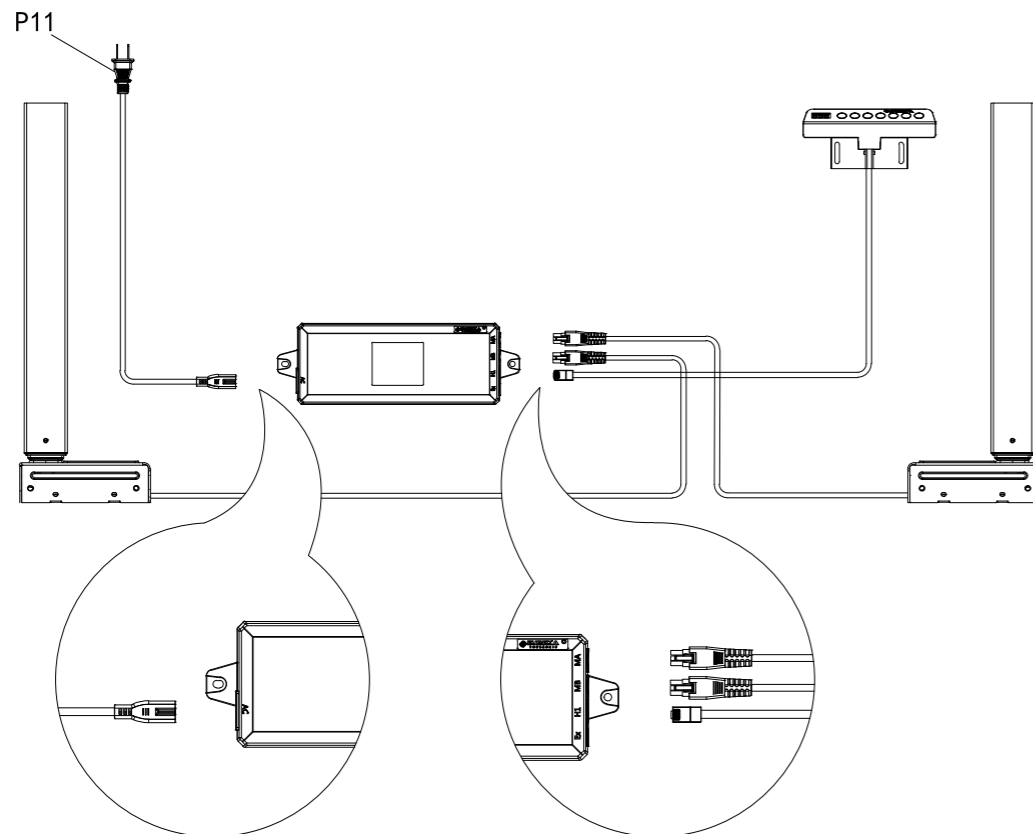
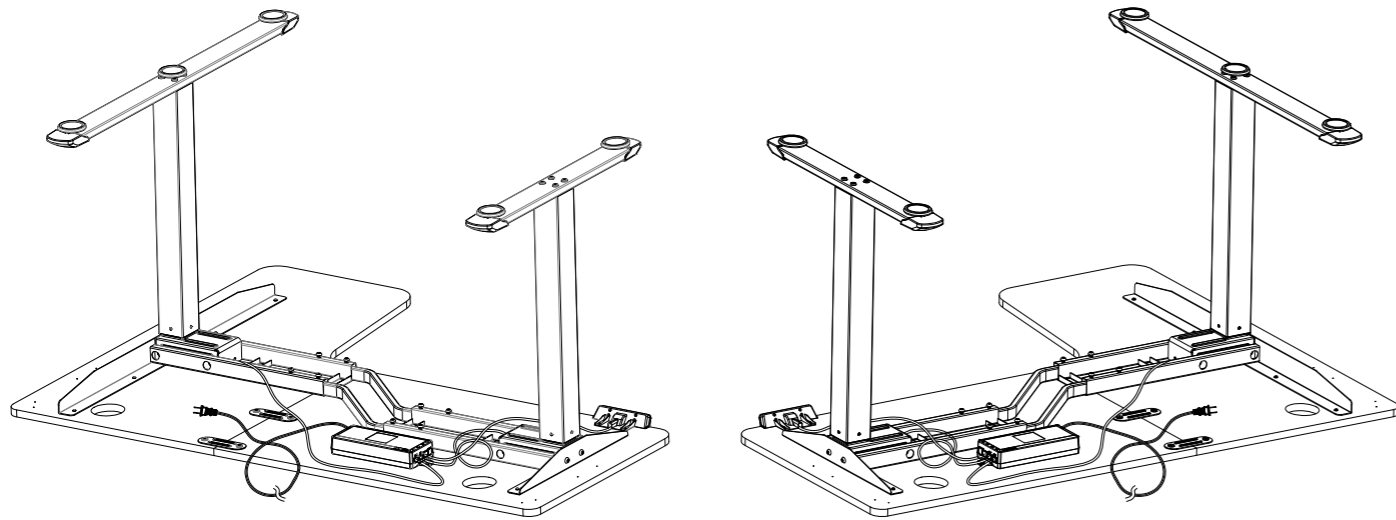




# COMMON ERROR CODE (PROBLEM DESCRIPTION AND SOLUTION)

E01、E02	Cable Connection Between Desk Leg(s) And Control Box is Loose (press the up or down button; if it doesn't work, please check the cable connection)
E03、E04	Desk Leg(s) is Overloaded (press the up or down button; if it doesn't work, reduce desk load or contact seller)
E05、E06	Sensing Element in the Desk Leg(s) Fails (press the up or down button; if it doesn't work, please check cable connection or contact seller)
E07	Control Box Breaks Down (cut off the power supply for a while and restart the desk; if it doesn't work, please contact seller)
E08、E09	Desk Leg(s) Breaks Down (cut off the power supply for a while and restart the desk; if it doesn't work, please contact seller)
E10、E11	Controller Components Breaks Down (cut off the power supply for a while and restart the desk; if it doesn't work, please contact seller)
E12	Desk Leg(s) Malposition (refer to the initial setting process)
E13	Thermal Shutdown Protection (wait for temperature drop)
E14、E15	Desk leg(s) is Stuck, and or They Do Not Work Properly (press the up or down button; if it doesn't work, reduce desk load or contact seller)
E16	Unbalance Desktop (restore factory settings)
E17	Key Data Stored in Control Box are Lost (please contact seller directly)
rST	Abnormal Power-Down (check the cable connection then restore factory settings)



P14 

## Given Parameters (refer below):

Content Displayed	Value Range	Parameter Sets	Meaning
R-y	0-1	Unit of Height	When "y" is 0, the height is displayed in centimeters. When "y" is 1, the height is displayed in inches.
b-y	0-9	Sensitivity of the Pressure Sensor	When "y" is 0, the sensor shut down; 1 indicates the lowest sensitivity while 9 represents the highest sensitivity.
[-y	1-3	Display Shutdown Time	When "y" is 1, the display will be shut down after 30 seconds of user inactivity. When "y" is 2, the display will be intelligently shut down according to its operating frequency in a period of time. When "y" is 3, the display is always on.

## AUTOMATED EXERCISE REMINDER

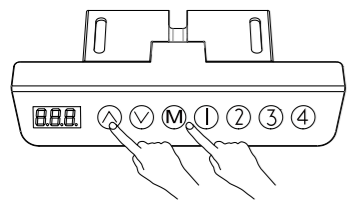
Once the desktop stays at a preset height position over a specified duration of time (users can preset time through APP; default time ranges from 30min to 60min), the display shows "[-h r".

In this APP, height 1 is sitting height by default; height 2 is standing height by default.

Only when the desktop is kept in height 1 or height 2 over preset time, the exercise reminder works.

## THE DEFINITION OF CODE

u--	Version Number	L	Locked Touchscreen
S--	Position Setting	[-h r	Exercise Reminder
-h l	The desktop is raised to its highest height position	-L □	The desktop is dropped to the lowest height position
-u P	The highest height position is memorized /canceled	-d □	The lowest height position is memorized/ canceled
R - 0/1	0 stands for centimeters; 1 stands for inches	---	Resetting
b - 0/1/2/3/4/5/6/7/8/9	The sensitivity of the pressure sensor		



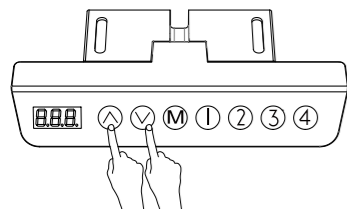
## The Highest Height Position Setting

**POSITION SETTING:** Please adjust the desktop to the appropriate height; and then hold both "M" and the up button for 5 seconds; when the display appears "- P", the highest height is memorized successfully. Once the desktop is raised to its highest height position, the display shows "- h".

**POSITION CANCELLATION:**

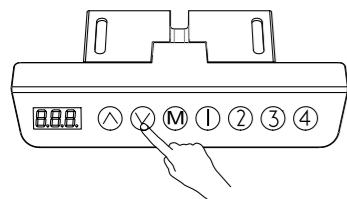
Option 1 - Refer to the initial setting process.

Option 2 - Adjust the desktop to the highest height where the display shows "- h", hold both "M" and the up button for 5 seconds; at this time, the display will show "- P" indicating the set highest height position has been successfully canceled.



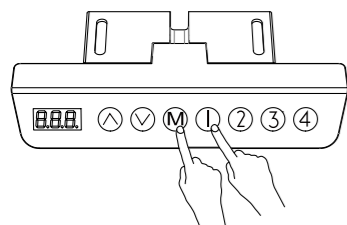
## Initial Settings

Press and hold both the  $\Delta$  and  $\nabla$  until the display appears " - - - ", release the keys, then the tabletop will automatically move up and down. When the top stop moving, the initial setting process succeeds.



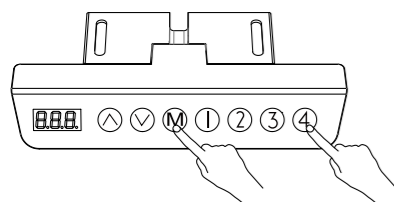
## Restore Factory Settings (Re-learning the Mechanical Lowest Point)

When the display appears "E1B" or "F5T", press and hold the  $\nabla$  for 5 seconds until the display flashes " - - - "; release the key, then the adjustable desk legs will automatically move down to its mechanical lowest point, and move up and stop at a factory-preset position. Finally, the desk can work normally.



## Restore Default Parameters

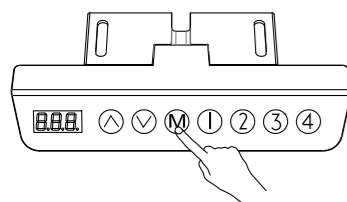
Press and hold both "M" and "1" buttons for 5 seconds until the display flashes "E L r", at this time the default parameters have been restored successfully.



## Lock and Unlock

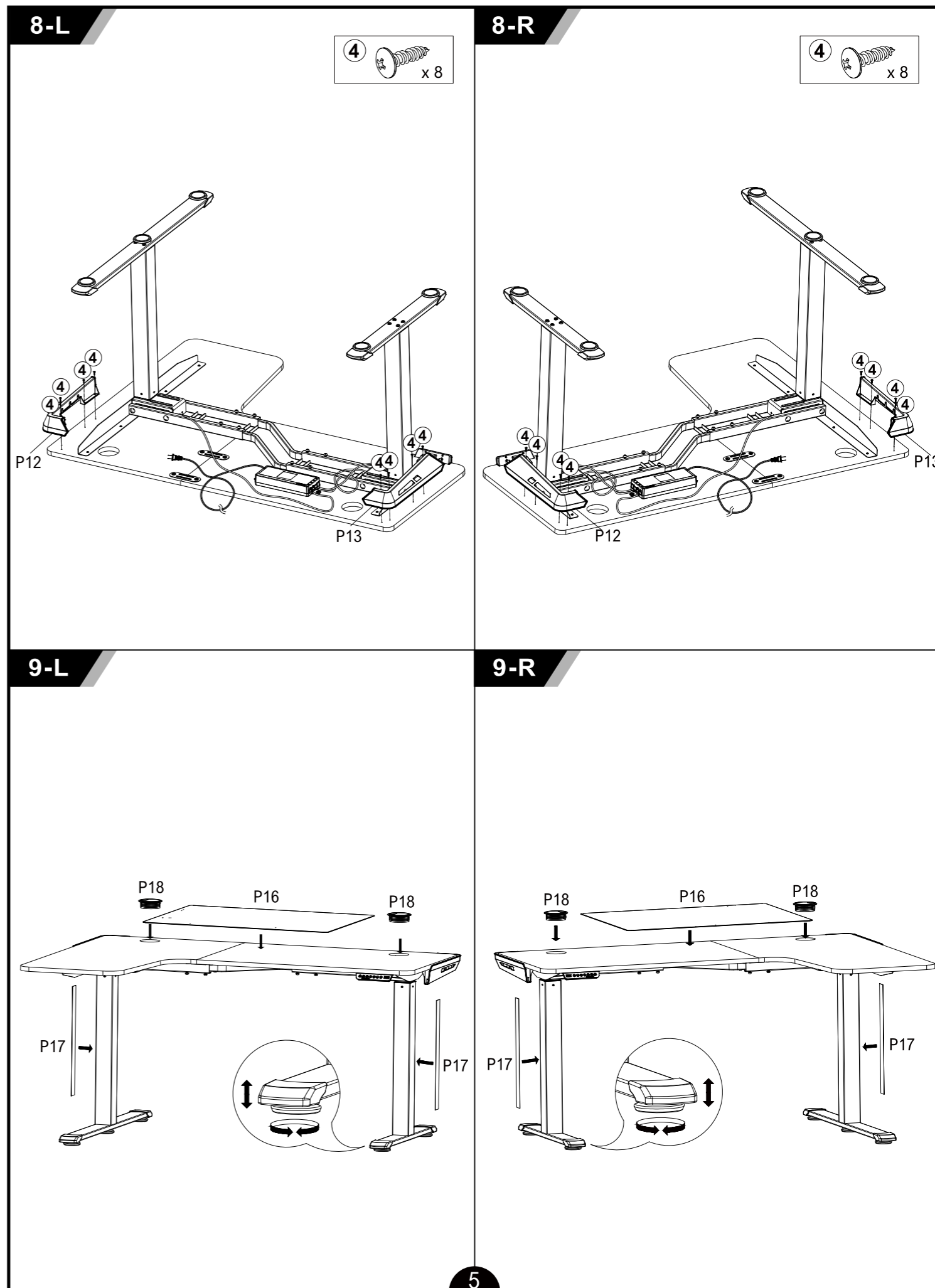
**HOW TO LOCK:** Press and hold both "M" and "4" buttons for 5 seconds until the display shows "L", which means the device is locked (At this time, the desktop could not be raised or lowered through hand controller unless users unlock the device).

**HOW TO UNLOCK:** To remove lock status, press and hold both "M" and "4" buttons for 5 seconds until the display shows the number indicating current desk height instead of "L".

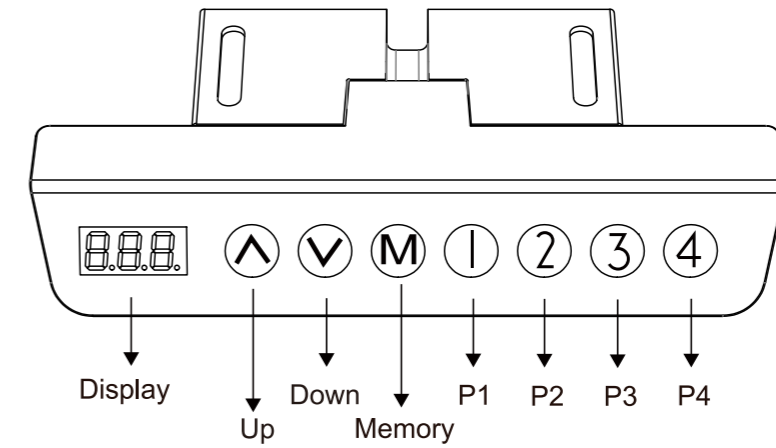
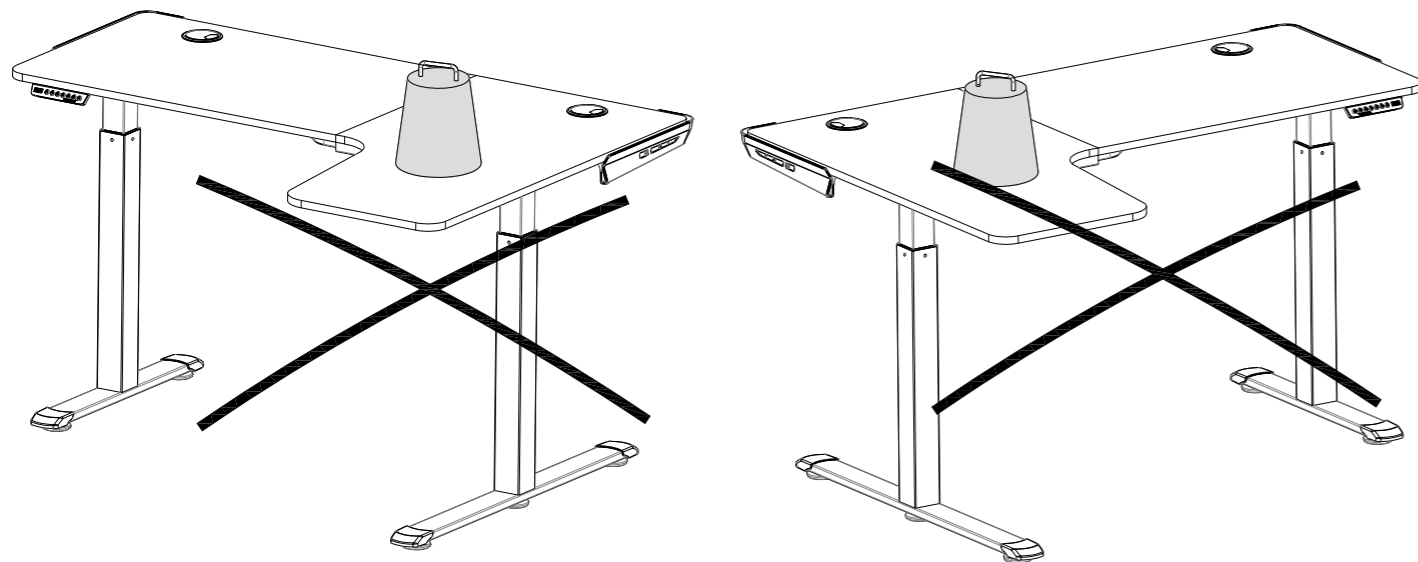
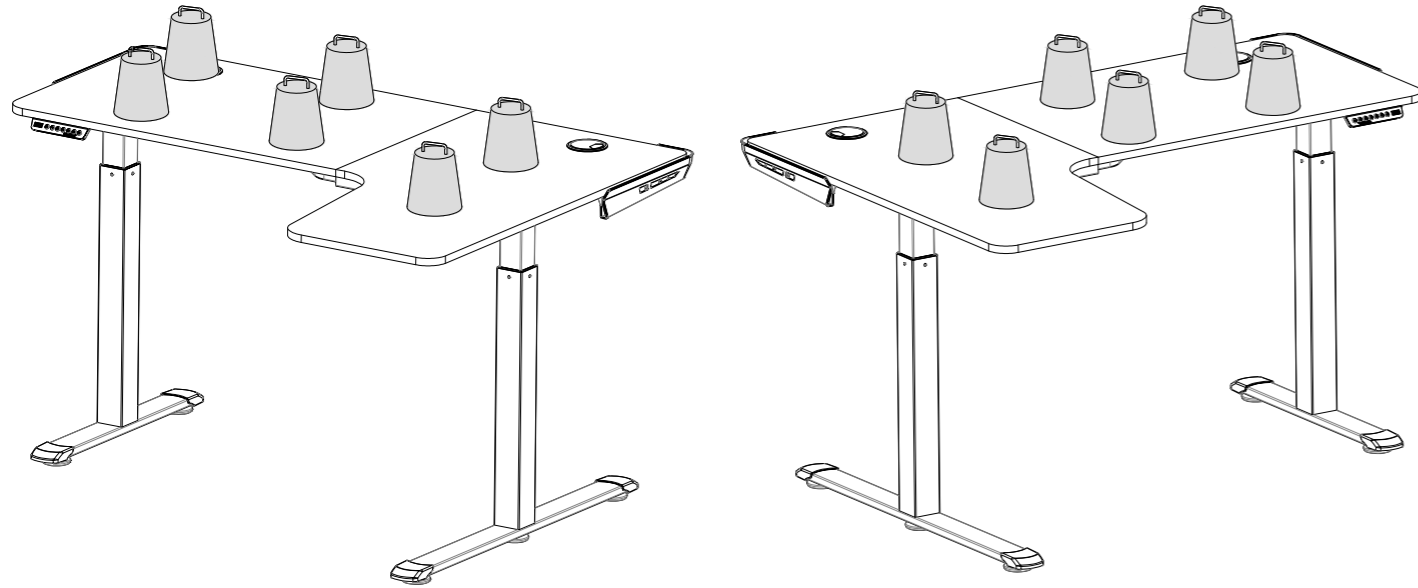


## Parameter Setting

Press and hold "M" for 10 seconds to access settings. At the time the display will appear in the form of "X-Y"; "X" is a preset parameter set while "Y" specifies parameter values. Pressing "M" allows to switch from one parameter set to another. Pressing the up or down button allows to assign specific parameter values. After setting parameter, press the "M" button for 10 seconds to go back to the run mode.

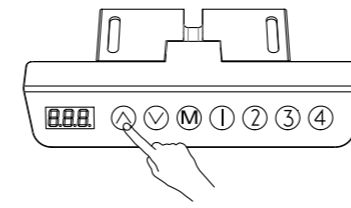


# OPERATION INSTRUCTIONS



## Up / Down Button

Press the  $\Delta$  to raise the desk, when you release the button it will stop. Press the  $\nabla$  to lower the desk, when you release the button it will stop. When pressing the  $\Delta / \nabla$ , the desk travels a very short distance, so that users can fine-tune the desk height according to preference.

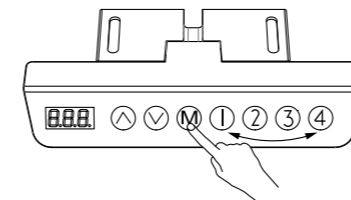


## Desktop Height Memory Button

**POSITION SETTING:** Please adjust the desktop to the appropriate height; and then press "M" until the display flashes "5-", at this time, press 1 / 2 / 3 / 4 of any one of them, so the display will flash "5 - 1 / 2 / 3 / 4" indicating that memory is successful.

**LOCATION QUERY:** In the run mode, press any of the 1 / 2 / 3 / 4 keys to flash the height of the key memory.

**POSITION REACHING:** In the run mode, when the desktop stops, press any of the 1 / 2 / 3 / 4 keys twice or for a long time to adjust to the desktop height of the key memory. When desktop is moving, pressing any button can stop it.



## The Lowest Height Position Setting

**POSITION SETTING:** Please adjust the desktop to the appropriate height; and then hold both "M" and the down button for 5 seconds; when the display appears "- d □", the lowest height is memorized successfully. Once the desktop is dropped to its lowest height position, the display shows "- L □".

**POSITION CANCELLATION:**

Option 1 - Refer to the initial setting process.

Option 2 - Adjust the desktop to the lowest height where the display shows "- L □", hold both "M" and the down button for 5 seconds; at this time, the display will show "- d □" indicating the set lowest height position has been successfully canceled.

