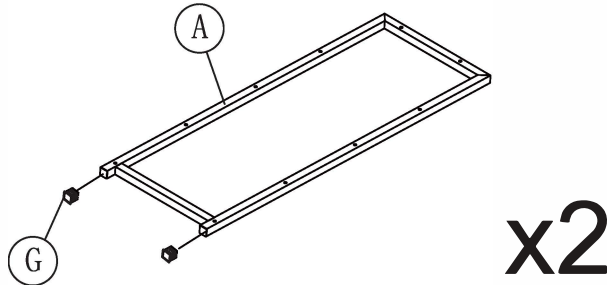


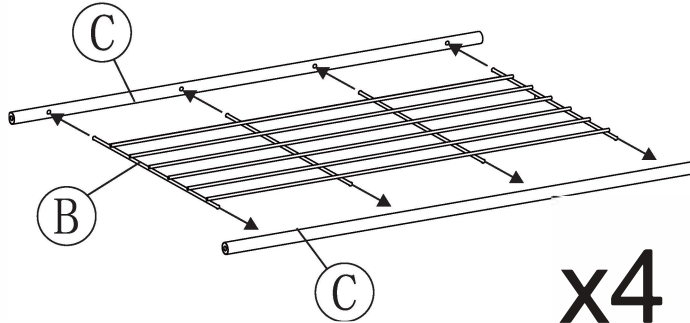
NO.	Qty	Sketch
A	2	
B	4	
C	8	
D	1	
E	16	M6x25
F	4	6.3x40
G	4	
H	1	

1

Ax2  
Gx4  
Bx4  
Cx8



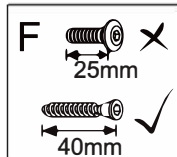
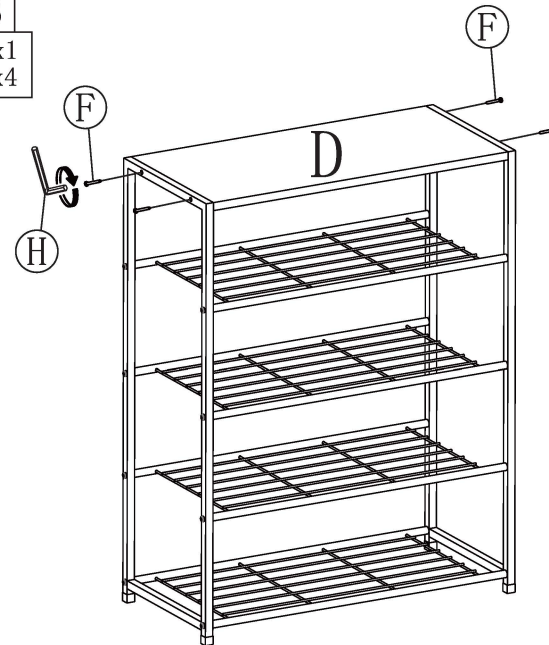
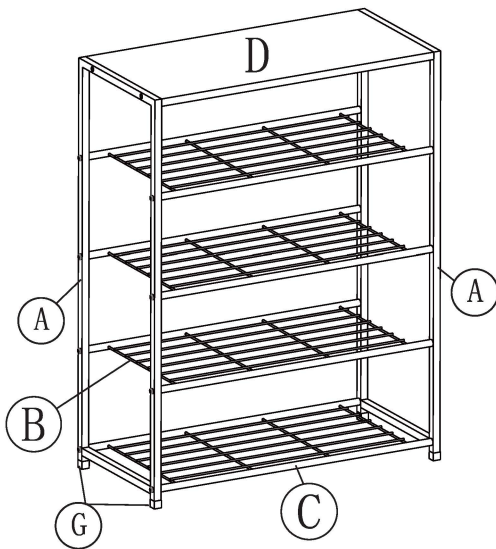
x2



x4

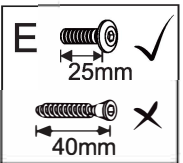
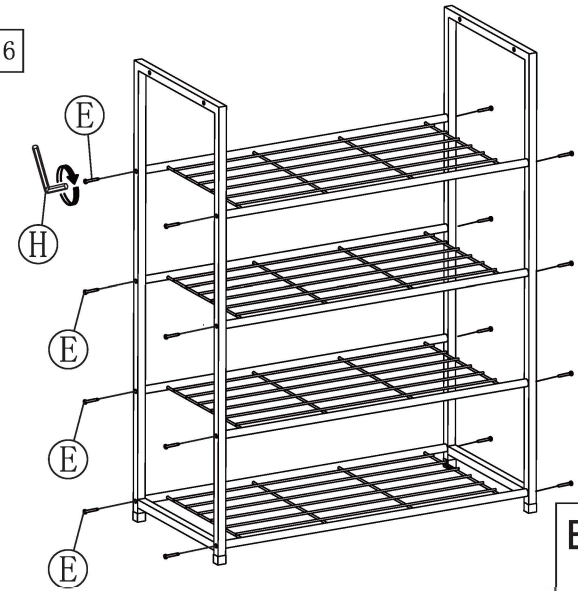
3

Dx1  
Fx4



2

Ex16



4

