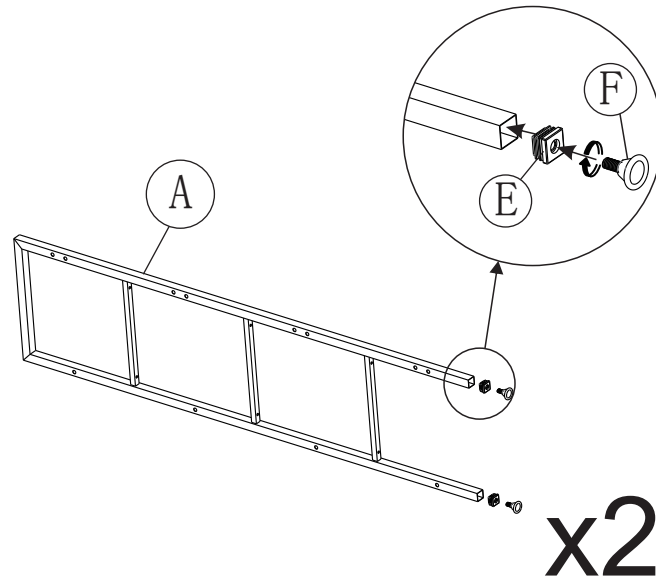
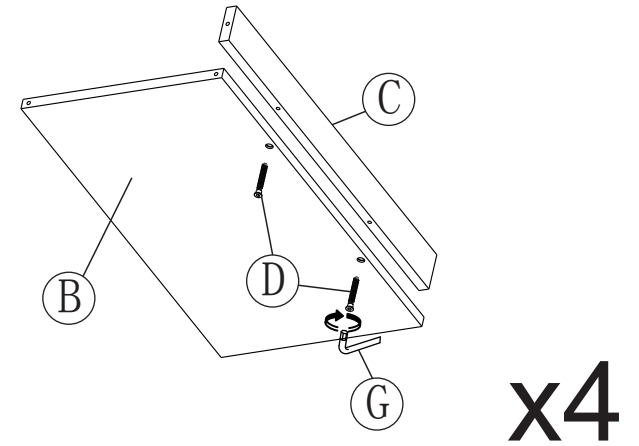


NO.	Qty	Sketch
A	2	
B	4	
C	4	
D	32	6.3x40
E	4	
F	4	
G	1	

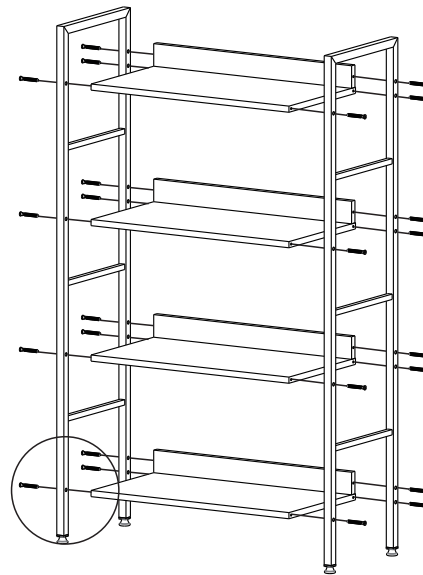
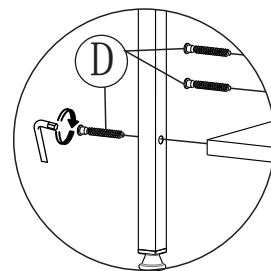
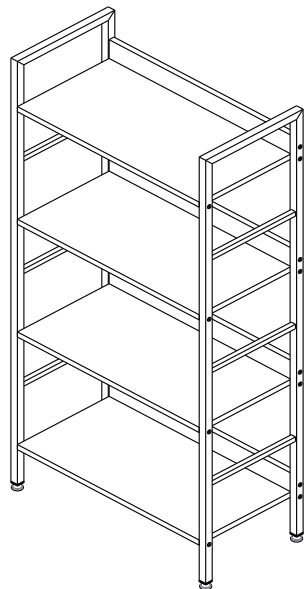
1
Ax2
Ex4
Fx4



2
Bx4
Cx4
Dx8



3
Dx24



4

