



Refrigerator
TOP MOUNTED FREEZER SERIES

USER MANUAL

MDRT489MTE*
MDRT580MTE*
MDRT645MTE*

Warning notices: Before using this product, please read this manual carefully and keep it for future reference. The design and specifications are subject to change without prior notice for product improvement. Consult with your dealer or manufacturer for details. The diagram above is just for reference. Please take the appearance of the actual product as the standard.

LANGUAGES

EN	English
DE	Deutsch
IT	Italian
FR	French
ES	Spanish
PT	Portuguese
GR	Greek
PL	Polish
LV	Latvian
SR	Serbian
HR	Republika Hrvatska
HU	Hungary
SL	Slovenia
RO	Romania
BG	Bulgaria
LT	Lithuania
AL	Albanian
CZ	Czech
SK	Slovak

THANK YOU LETTER

Thank you for choosing Midea! Before using your new Midea product, please read this manual thoroughly to ensure that you know how to operate the features and functions that your new appliance offers in a safe way.

CONTENTS

EN

THANK YOU LETTER	01
SPECIFICATIONS	02
PRODUCT OVERVIEW	03
PRODUCT INSTALLATION	04
OPERATION INSTRUCTIONS	11
CLEANING AND MAINTENANCE	15
TROUBLESHOOTING	16
APPENDIX	18

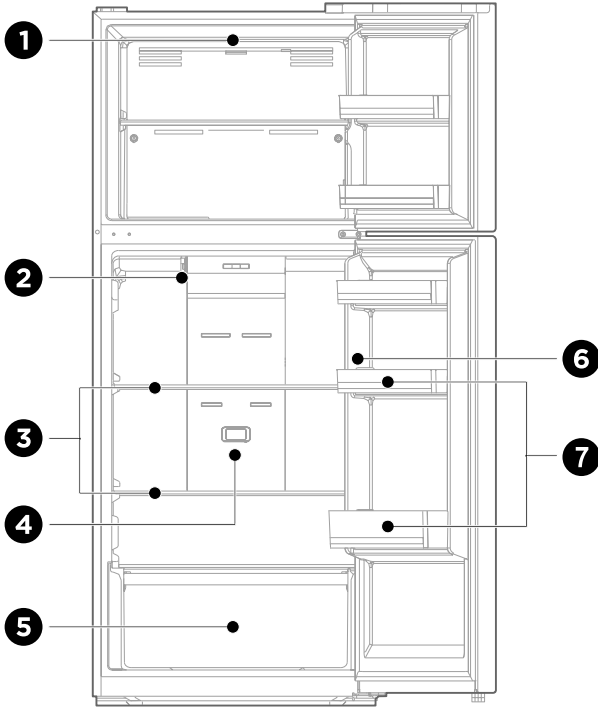
SPECIFICATIONS

EN

Product model	MDRT489MTE
Rated Voltage/Frequency	220-240V~/50Hz
Rated Current	0.7A
Total Volume	338L
Fresh Food Storage Compartment Volume	254L
Four-star Compartment Volume	84L
Freezing Capacity	3.9kg/24h
Temperature Rise Time	10h
Overall Dimension (W x D x H)	595x695x1724mm
Product model	MDRT580MTE
Rated Voltage/Frequency	220-240V~/50Hz
Rated Current	1.5A
Total Volume	413L
Fresh Food Storage Compartment Volume	306L
Four-star Compartment Volume	107L
Freezing Capacity	5kg/24h
Temperature Rise Time	10h
Overall Dimension (W x D x H)	700x670x1723mm
Product model	MDRT645MTE
Rated Voltage/Frequency	220-240V~/50Hz
Rated Current	1.2A
Total Volume	463L
Fresh Food Storage Compartment Volume	356L
Four-star Compartment Volume	107L
Freezing Capacity	5kg/24h
Temperature Rise Time	10h
Overall Dimension (W x D x H)	700x691x1880mm

PRODUCT OVERVIEW

Names of components



- | | | | |
|---|-------------------------|---|---------------------------|
| 1 | LED light | 5 | Fruits and vegetables box |
| 2 | Damper adjusting slider | 6 | Temperature control |
| 3 | Shelf | 7 | Door tray |
| 4 | Deoderizer | | |

ATTENTION

The picture above is only for reference. The actual configuration will depend on the physical product or statement by the distributor.

PRODUCT INSTALLATION

Install Instruction

For refrigerating appliances with climate class

- Depending on the climate class, this refrigerating appliance is intended to be used at ambient temperatures range as specified following table.
- The climate class can be found on the rating plate. The product may not operate properly at temperatures outside of the specific range.
- You can find the climate class on the product label.

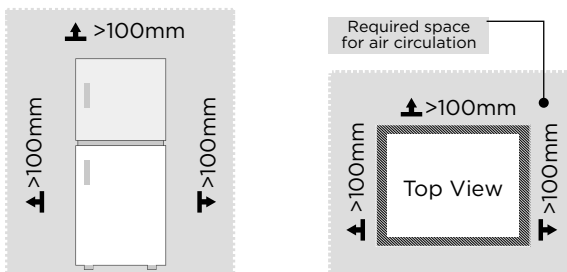
Effective temperature range

- The product is designed to operate normally in the temperature range specified by its class rating.

Class	Symbol	Ambient temperature range °C	
		IEC 62552 (ISO 15502)	ISO 8561
Extended temperate	SN	+ 10 to + 32	+ 10 to + 32
Temperate	N	+ 16 to + 32	+ 16 to + 32
Subtropical	ST	+ 16 to + 38	+ 18 to + 38
Tropical	T	+ 16 to + 43	+ 18 to + 43

Dimensions and Clearances

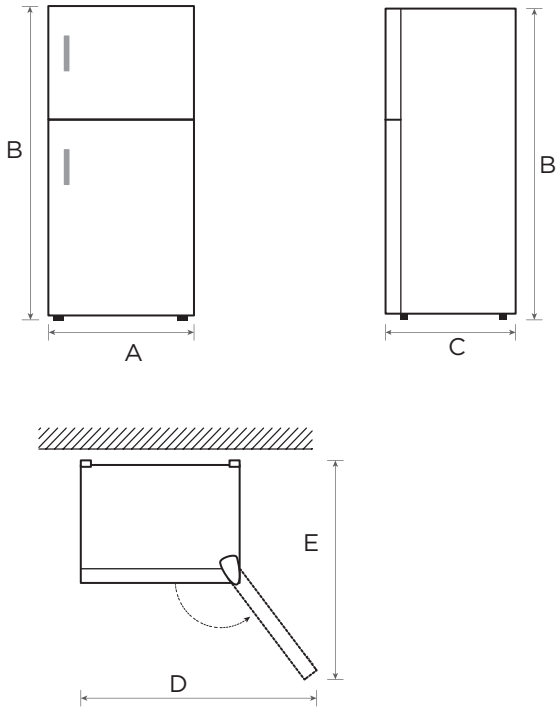
- Too small of a distance from adjacent items may result in the degradation of freezing capability and increased electricity costs. Allow over 100 mm of clearance from each adjacent wall when installing the appliance.



ATTENTION

The picture above is only for reference. The actual configuration will depend on the physical product or statement by the distributor.

Space requirement diagram (when the door is open and when the door is closed)




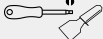


EN

Product model	Width	Overall Height	Depth	Width doors open 135°	Depth doors open 135°
	A	B	C	D	E
MDRT489MTE	595	1724	695	997	1137
Product model	Width	Overall Height	Depth	Width doors open 125°	Depth doors open 125°
	A	B	C	D	E
MDRT580MTE	700	1723	670	1085	1252
MDRT645MTE	700	1880	691	1085	1252

Notice: All dimensions in mm

Door right-left change

List of tools to be provided by the user

	Allen wrench-Cross screwdriver
	Putty knife Thin-blade screwdriver
	5/16" socket spanner
	Masking tape

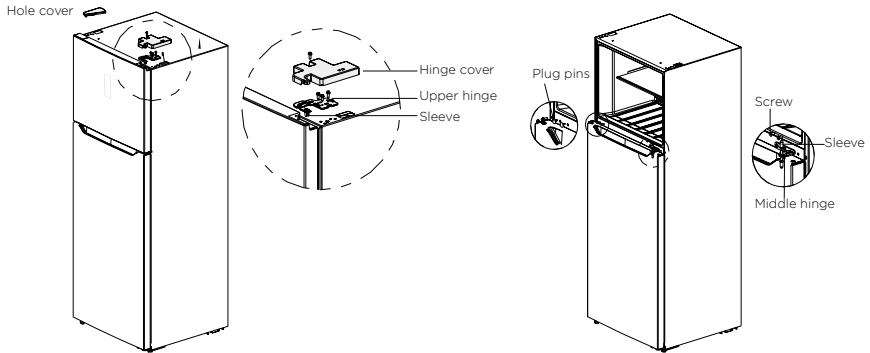
Parts to be used for door reverse

SN	Parts	Quantity
1	Right upper hinge	1
2	Right upper hinge cover	1
3	Upper hinge axle sleeve	1
4	Upper hinge screw	3
5	Hole cover	1
6	Middle hinge screw	2
7	Middle hinge	1
8	Hole plug	2
9	Middle beam screw	1
10	Middle beam screw cap	1
11	Adjustable foot	1
12	Lower hinge screw	3
13	Lower hinge assembly	1
14	Lower end cover screw of freezing door	1
15	Lower end cover limiting block of freezing door	1
16	Lower end cover screw of refrigerator door	1
17	Lower end cover limiting block of refrigerator door	1
18	Upper end cover axle sleeve of refrigerator door	1
19	Lower support of refrigeration door	1
20	Accessory package	4
21	Self-locking of right door	1

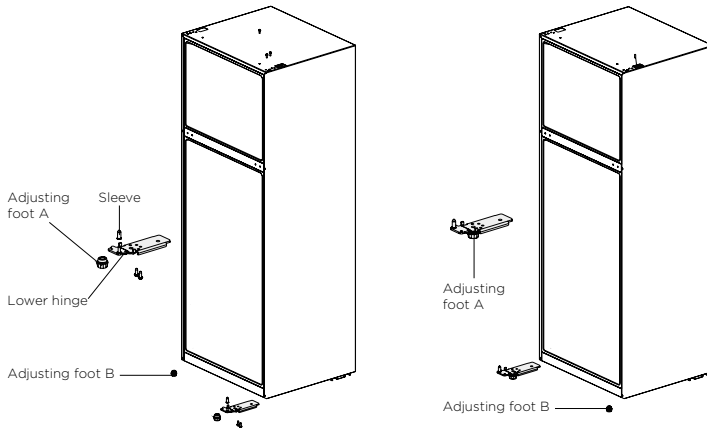
Notes:

1-19/Pre-installed on the refrigerator and to be used when changing the door
 20/Left upper hinge,left upper hinge cover,Self-locking of left door,left decorative cover
 21/Pre-installed on refrigerator, removed and retained it when changing the door

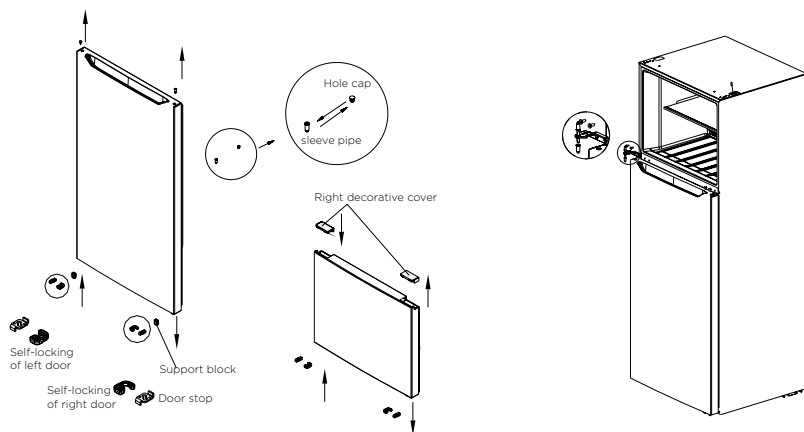
1. Please power off this appliance before conduct this operation.
2. Remove the hinge cover and screw on the top right side of the box, as well as the upper hinge and the hole cover on the left side.



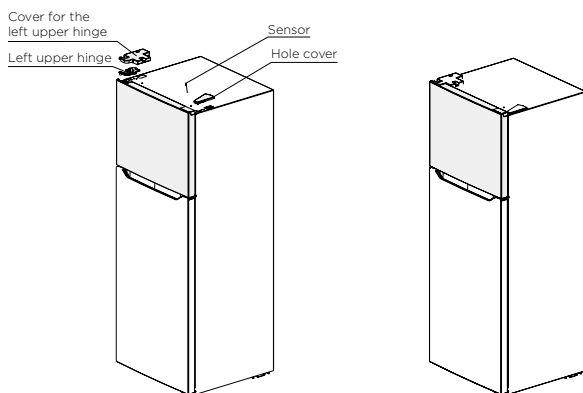
3. Unscrew the hinge screw, take off the middle hinge and the upper shaft sleeve, depart the two hinge hole covers (plug pins) on the middle hinge, and take out the door body of the refrigerator chamber upward.
4. Install the hinge shaft and shaft sleeve to the left hole of the lower hinge, and then the lower hinge to the left corner of the refrigerator, then adjusting foot A according to the position shown in the Figure, and finally the adjusting foot B to the right lower corner of the refrigerator.



5. Dismantle the door stop of the two door bodies and the self-locking screws of right door, then take out the self-locking of left door from the accessory bag and install it to the left corner of the door body together with the door stop; take out the bottom support block of the door body of refrigeration chamber and install it to the lower left corner, Finally take out the hole plug and shaft sleeve for the door of refrigeration chamber and adjust their positions, and then install them into the door body. take out the right decorative cover on the door of refrigeration chamber, and take out the left decorative cover from the accessory bag and install it. chamber, and take out the left decorative cover from the accessory bag and install it.



6. Install the door of refrigerator chamber on the lower hinge, the middle hinge on the left side of the refrigerator and tighten the screws, and place the shaft sleeve well. Install the plug pin in the hole on the middle beam at the other end.
7. Install the door of freezer on the middle hinge, take out the left upper hinge and the cover for the left upper hinge from the accessory bag, install the left hinge and tighten the screws, install the cover for the left upper hinge and tighten the screw, install the right sensor in the original left hole cover, and then fix the hole cover on the right box.
8. After completing the installation.



ATTENTION

The picture above is only for reference. The actual configuration will depend on the physical product or statement by the distributor.



Leveling feet

To avoid vibration, the unit must be leveled.

If required, adjust the leveling screws to compensate for the uneven floor.

The front should be slightly higher than the rear to aid in door closing.

Leveling screws can be turned easily by tipping the cabinet slightly.

Turn the leveling screws counterclockwise  to raise the unit, clockwise  to lower it.

Moving the appliance

1. Remove all food from inside the appliance.
2. Pull the power plug out, insert and fix it into the power plug hook at the rear or on top of the appliance.
3. Tape parts such as shelves and the door handle to prevent from falling off while moving the appliance.
4. Move the appliance with more than two people carefully. When transporting the appliance over a long distance, keep the appliance upright.
5. After installing the appliance, connect the power plug into a socket out to switch on the appliance.

ATTENTION

Precautions before operation:

Before making changes the refrigerator must be disconnected from power. precautions should be taken to prevent any personal injury.

Changing the light

- Any replacement or maintenance of the LED lamps is intended to be made by the manufacturer, its service agent or similar qualified person.

ATTENTION

MDRT489MTE contains a light source of energy efficiency class (F).

MDRT580MTE/MDRT645MTE contains two light sources of energy efficiency class (F).

Connecting the appliance

After installing the appliance, connect the power plug into a socket outlet.

ATTENTION

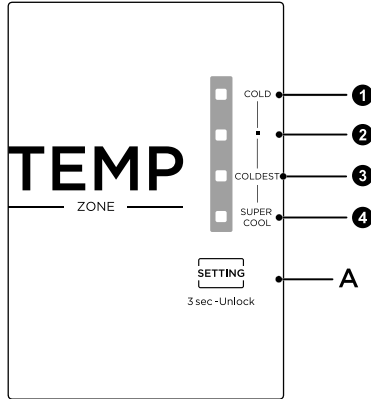
After connecting the power supply cord (or plug) to the outlet, wait 2 or 3 hours before you put food into the appliance. If you add food before the appliance has cooled completely, your food may spoil.

Tips for energy saving

- Do not place the appliance near cookers, radiators or other heat sources. If the ambient temperature is high, the compressor will run more frequently and for longer, resulting in increased energy consumption.
- Ensure that there is sufficient ventilation at the base of the appliance, on the sides of the appliance and at the back of the appliance. Never cover ventilation openings.
- Please also observe the spacing dimensions in the chapter “Installation”.
- The arrangement of drawers, shelves and racks as shown in the illustration offers the most efficient use of energy and should therefore be retained as far as possible. All drawers and shelves should remain in the appliance to keep the temperature stable and save energy.
- To obtain a larger storage space (e.g. for large refrigerated/frozen goods), the middle drawers can be removed. The top and bottom drawers and shelves should be removed last if necessary.
- An evenly filled refrigerator/freezer compartment contributes to optimal energy use. Therefore, avoid empty or half-empty compartments.
- Allow warm food to cool before placing it in the refrigerator/freezer. Food that has already cooled down increases energy efficiency.
- Allow frozen food to defrost in the refrigerator. The coldness of the frozen food reduces the energy consumption in the refrigerator compartment and thus increases the energy efficiency.
- Open the door only as briefly as necessary to minimise cold loss. Opening the door briefly and closing it properly reduces energy consumption.
- The door seals of your appliance must be perfectly intact so that the doors close properly and energy consumption is not increased unnecessarily.

OPERATION INSTRUCTIONS

Control panel



EN

Key

- Setting 1 (COLD)
- Setting 2 (MID)
- Setting 3 (COLDEST)
- Setting 4 (SUPER COOL)
- Setting A (Temperature setting button of refrigerator compartment)

ATTENTION

The actual control panel may differ from model to model.

Display

- when electrify the refrigerator for first time, the display screen shines fully for 3 seconds, and then the refrigerator runs according to setting 3. In case of a failure, the corresponding LED blinks. In case of no failures, it shows the temperature setting of refrigerator.

Fault Code	Fault Description
Indicator setting 3 and setting 4	Temperature sensor failure of refrigerating chamber
Indicator setting 2 and setting 4	Defrost sensor failure of freezer chamber
Indicator setting 1 and setting 4	Ambient temperature sensor failure

Temperature setting

- Each time the temperature setting button (A) is pressed, the temperature setting changes once. When the temperature setting is finished, the fridge will run according to the setting after 15 seconds.
- The setting changes in this order:



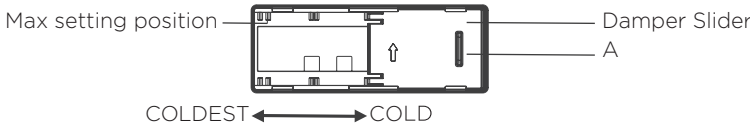
EN

Lock/Unlock

- Long press the TEMP key for 3 seconds to unlock and 30 seconds to automatically lock without operation.

Damper adjusting slider

- The temperature inside the freezer can be adjusted by changing the position of the damper slider. The initial position of the damper slider is at position A. If lower temperature inside the freezer is required, you can adjust the damper slider from the position A to left side.
- For better use of the refrigerator, it is recommended to keep the damper slider at initial position.



Stop using

- **Power failure:** In case of power failure, even if it is in summer, foods inside the appliance can be kept for several hours; during the power failure, the times of door opening shall be reduced, and no more fresh food shall be put into the appliance.
- **Long-time nonuse:** The appliance shall be unplugged and then cleaned; then the doors are left open to prevent odor.

Tips on storing food

Freezer compartment

- The freezer is designated for the storage of food frozen at very low temperature, long-term storage of frozen food, and for the production of ice.
- Only use the shelves in the door of the freezer to store frozen food, not for storing hot food designated for freezing.
- Do not put fresh and frozen food next to each other. The frozen food may thaw.
- When freezing fresh food (such as meat, fish or chopped meat), cut them into parts that can be used at the same time.
- Storing frozen food: instructions are usually stated on the packages, which must be followed. If there is no information on the packaging, food should not be stored for longer than three months from the date of purchase.
- When purchasing frozen food, make sure that it was frozen at a suitable temperature and that the packaging is not damaged.
- Frozen food should be kept in suitable packages to retain the quality and should be returned to the freezer compartment as soon as possible.
- If a package of frozen food shows moisture or abnormal bulging, it is probable that it was stored at the wrong temperature and the content is spoiled.
- The storage period for frozen food depends on the room temperature, the thermostat setting, the frequency of opening the door of the freezer, the type of food and the time of transporting the product from the shop to the household. Always follow the instructions printed on the packaging and never exceed the maximum storage time stated on the package.

Cooling compartment

- To reduce moisture and subsequent ice build-up, never put liquid into the refrigerator in unsealed containers. Frost tends to concentrate in the coolest parts of the evaporator. Storing uncovered liquids results in a more frequent need for defrosting.
- Never put warm foods in the refrigerator. These should first cool down at room temperature and then be placed so as to ensure adequate air circulation in the refrigerator.
- Foods or food containers should not touch the back wall of the refrigerator because they could freeze to the wall. Do not keep regularly opening the door of the refrigerator.
- Meat and clean fish (packed in a package or plastic foil) can be placed in the refrigerator, which can be used in 1-2 days.
- Fruit and vegetables without packaging can be placed in the part designated for fresh fruit and vegetables.

ATTENTION

The optimal temperature setting of each compartment depends on the ambient temperature. Above optimal temperature is based on the ambient temperature of 25 °C.

Order	Compartments TYPE	Target storage temp. [°C]	Appropriate food
1	Fridge	+2 - +8	Eggs, cooked food, packaged food, fruits and vegetables, dairy products, cakes, drinks and other foods are not suitable for freezing.
2	(***)*-Freezer	≤-18	Seafood (fish, shrimp, shellfish), freshwater aquatic products and meat products (recommended for 3 months, the longer the storage time, the worse the taste and nutrition), suitable for frozen fresh food.
3	***-Freezer	≤-18	Seafood (fish, shrimp, shellfish), freshwater aquatic products and meat products (recommended for 3 months, the longer the storage time, the worse the taste and nutrition), suitable for frozen fresh food.
4	** -Freezer	≤-12	Seafood (fish, shrimp, shellfish), freshwater aquatic products and meat products (recommended for 3 months, the longer the storage time, the worse the taste and nutrition), suitable for frozen fresh food.
5	*-Freezer	≤-6	Seafood (fish, shrimp, shellfish), freshwater aquatic products and meat products (recommended for 3 months, the longer the storage time, the worse the taste and nutrition), suitable for frozen fresh food.
6	0-star	-6 - 0	Fresh pork, beef, fish, chicken, some packaged processed foods, etc. (Recommended to eat within the same day, preferably no more than 3 days). Partially encapsulated processed foods (non-freezable foods).
7	Chill	-2 - +3	Fresh/ frozen pork, beef, chicken, freshwater aquatic products, etc. (7 days below 0°C and above 0°C is recommended for consumption within that day, preferably no more than 2 days).Seafood (less than 0 for 15 days, it is not recommended to store above 0°C).
8	Fresh food	0 - +4	Fresh pork, beef, fish, chicken, cooked food, etc. (Recommended to eat within the same day, preferably no more than 3 days)
9	Wine	+5 -+20	Red wine, white wine, sparkling wine, etc.

ATTENTION

please store different foods according to the compartments or target storage temperature of your purchased.

CLEANING AND MAINTENANCE

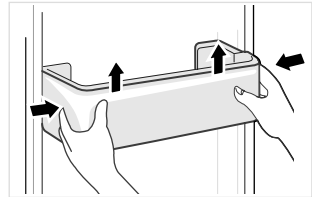
Defrosting

- The refrigerator is made based on the air-cooling principle and thus has automatic defrosting function. Frost formed due to change of season or temperature may also be manually removed by disconnection of the appliance from power supply or by wiping with a dry towel.

EN

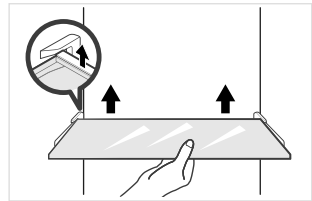
Cleaning of door tray

- According to the direction arrow in the figure below, use both hands to squeeze the tray, and push it upward, then you can take it out.
- After washing the tray having been taken out, you can adjust its installing height in accordance with your requirement.



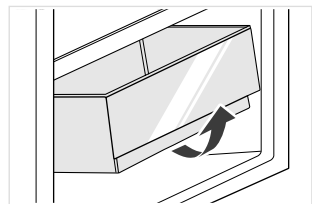
Cleaning of glass shelf

- As the innermost part of the refrigerator liner where contacting the shelves has a backstop, you shall raise the shelves upward, then you can be able to take it out.
- Adjust or clean the shelves according to your requirement.



Cleaning the vegetable drawer

1. Remove the contents of the drawer. Hold the handle of the vegetable drawer and pull it out completely until it stops.
2. Lift the vegetable drawer up and remove it by pulling it out.



ATTENTION

Soft towels or sponge dipped in water and non-corrosive neutral detergents are suggested for cleaning. The freezer of shall be finally cleaned with clean water and dry cloth. Open the door for natural drying before the power is turned on. Do not use hard brushes, clean steel balls, wire brushes, abrasives, such as toothpastes, organic solvents (such as alcohol, acetone, banana oil, etc.), boiling water, acid or alkaline items clean refrigerator considering that this may damage the fridge surface and interior.

TROUBLESHOOTING

The following simple issues can be handled by the user. Please call the after-sale service department if the issues are not solved.

Problem	Possible reason
Failed operation	<ul style="list-style-type: none"> • Check whether the appliance is connected to power or whether the plug is in well contact
	<ul style="list-style-type: none"> • Check whether the voltage is too low
	<ul style="list-style-type: none"> • Check whether there is a power failure or partial circuits have tripped
Odor	<ul style="list-style-type: none"> • Odorous foods shall be tightly wrapped
	<ul style="list-style-type: none"> • Check whether there is any rotten food
	<ul style="list-style-type: none"> • Clean the inside of the refrigerator
Long-time operation of the compressor	<ul style="list-style-type: none"> • Long operation of the refrigerator is normal in summer
	<ul style="list-style-type: none"> • when the ambient temperature is high it is not suggestible having too much food in the appliance at the same time
	<ul style="list-style-type: none"> • Food shall get cool before being put into the appliance
	<ul style="list-style-type: none"> • The doors are opened too frequently
Light fails to get lit	<ul style="list-style-type: none"> • Check whether the refrigerator is connected to power supply and whether the illuminating light is damaged
	<ul style="list-style-type: none"> • Have the light replaced by a specialist
Door can not be properly closed	<ul style="list-style-type: none"> • The door is stuck by food packages too much food is placed
	<ul style="list-style-type: none"> • The refrigerator is tilted.
Loud noises	<ul style="list-style-type: none"> • Check whether the floor is level and whether the refrigerator is placed stably
	<ul style="list-style-type: none"> • Check whether accessories are placed at proper locations

EN

Problem	Possible reason
Door seal fails to be tight	<ul style="list-style-type: none"> • Remove foreign matters on the door seal
	<ul style="list-style-type: none"> • Heat the door seal and then cool it for restoration (or blow it with an electrical drier or use a hot towel for heating)
Water pan overflows	<ul style="list-style-type: none"> • There is too much food in the chamber or food stored contains too much water, resulting in heavy defrosting
	<ul style="list-style-type: none"> • The doors are not closed properly, resulting in frosting due to entry of air and increased water due to defrosting
Hot housing	<ul style="list-style-type: none"> • Heat dissipation of the built-in condenser via the housing, which is normal when housing becomes hot due to high ambient temperature, storage of too much food or shutdown of the compressor is shut down, provide sound ventilation to facilitate heat dissipation
Surface condensation	<ul style="list-style-type: none"> • Condensation on the exterior surface and door seals of the refrigerator is normal when the ambient humidity is too high. Just wipe the condensate with a clean towel.

APPENDIX

Special for new European standard

The ordered parts in the following table can be acquired from Service provider channel

Ordered part	Provided by	Minimum time required for Provision
Thermostats	Professional maintenance personnel	At least 7 years after the last model is launched on the market
Temperature sensors	Professional maintenance personnel	At least 7 years after the last model is launched on the market
Printed circuit boards	Professional maintenance personnel	At least 7 years after the last model is launched on the market
Light sources	Professional maintenance personnel	At least 7 years after the last model is launched on the market
Door handles	Professional repairers and final users	At least 7 years after the last model is launched on the market
Door hinges	Professional repairers and final users	At least 7 years after the last model is launched on the market
Trays	Professional repairers and final users	At least 7 years after the last model is launched on the market
Baskets	Professional repairers and final users	At least 7 years after the last model is launched on the market
Door gaskets	Professional repairers and final users	At least 10 years after the last model is launched on the market

Dear customer

1. If you want to return or replace the product, please contact the store where you buy.

(Remember to bring the purchase invoice)

2. If your product breaks down which needs to repair, please contact after-sales service provider.

ATTENTION

The model information in the product database, as well as the model identifier, can be obtained through a weblink scanned by a QR code, if any, on the energy efficiency label of the product.

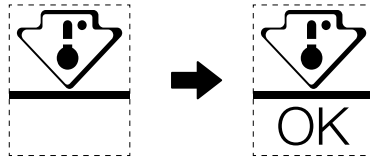
For more information about the energy efficiency of the appliance, visit <https://ec.europa.eu> and search using the model name.

The model name can be found on the rating label of the appliance.

Coldest zone in the refrigerator

OPTIONAL: OK-temperature indicator

- The OK-temperature indicator can be used to determine temperatures below +4°C. Gradually reduce the temperature if the sign does not indicate "OK".



- To ensure the temperature in this area, do not change the positioning of the shelf. In forced air refrigerators (equipped with a fan or No Frost models), the symbol of the coldest zone is not represented because the temperature inside is homogeneous.

Temperature indicator setting

- To help you set your refrigerator well, it is equipped with a temperature indicator that will monitor the average temperature in the coldest zone.
- **WARNING:** This indicator is intended to work only with your refrigerator, do not use it in another refrigerator (in fact, the coldest zone is not the same), or for any other use.

Checking the temperature in the coldest zone

- With the temperature indicator, you can check regularly that the temperature of the coldest zone is correct. Indeed, the internal temperature of the refrigerator depends on several factors such as the ambient temperature of the room, the amount of food stored and the frequency of door opening. Take these factors into consideration when setting the device.
- When the indicator shows « OK », this means that your thermostat is well adjusted and the internal temperature correct.
- If the indicator of temperature turns WHITE, this means that the temperature is too high; in this case, increase the refrigerator temperature control setting and wait for 12 hours before performing a new visual inspection of the indicator. When fresh food has been introduced or the door has been left open, it is possible for the indicator of temperature to turn WHITE after a while.

VIELEN DANK

Vielen Dank, dass Sie sich für Midea entschieden haben! Bevor Sie Ihr neues Midea-Produkt in Betrieb nehmen, lesen Sie bitte dieses Handbuch aufmerksam durch, damit Sie wissen, wie Sie die Funktionen Ihres neuen Geräts auf sichere Weise nutzen können.

INHALT

DE

VIELEN DANK	01
TECHNISCHE DATEN	02
ÜBERBLICK ÜBER DAS PRODUKT	03
INSTALLATION	04
BEDIENHINWEISE	11
REINIGUNG UND PFLEGE	15
FEHLERSUCHE	16
ANHANG	18

TECHNISCHE DATEN

Produktmodell	MDRT489MTE
Nennspannung/-frequenz	220 bis 240 V/AC, 50 Hz
Nennstrom	0,7A
Gesamtvolumen	338 Liter
Fassungsvermögen des Frischkostfaches	254 Liter
Fassungsvermögen des Vier-Sterne-Fachs	84 Liter
Gefrierkapazität	3,9 kg / 24 Std.
Temperaturanstiegszeit	10 Std.
Abmessungen (B x T x H)	595 x 695 x 1724 mm

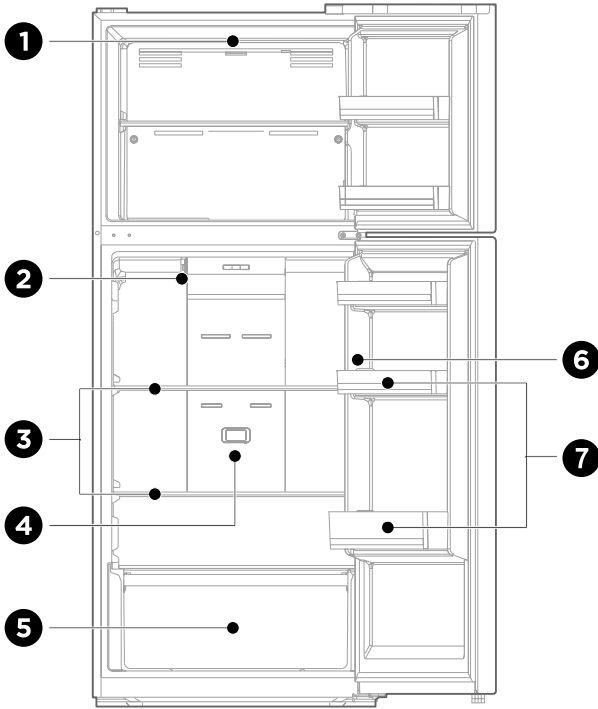
Produktmodell	MDRT580MTE
Nennspannung/-frequenz	220 bis 240 V/AC, 50 Hz
Nennstrom	1,5 A
Gesamtvolumen	413 Liter
Fassungsvermögen des Frischkostfaches	306 Liter
Fassungsvermögen des Vier-Sterne-Fachs	107 Liter
Gefrierkapazität	5 kg/24 Std.
Temperaturanstiegszeit	10 Std.
Abmessungen (B x T x H)	700 x 670 x 1723 mm

Produktmodell	MDRT645MTE
Nennspannung/-frequenz	220 bis 240 V/AC, 50 Hz
Nennstrom	1,2 A
Gesamtvolumen	463 Liter
Fassungsvermögen des Frischkostfaches	356 Liter
Fassungsvermögen des Vier-Sterne-Fachs	107 Liter
Gefrierkapazität	5 kg/24 Std.
Temperaturanstiegszeit	10 Std.
Abmessungen (B x T x H)	700 x 691 x 1880 mm

DE

ÜBERBLICK ÜBER DAS PRODUKT

Komponenten



- | | | | |
|---|---------------------------------|---|----------------------|
| 1 | LED-Licht | 5 | Obst- und Gemüsefach |
| 2 | Einstellen der Klappenschiebers | 6 | Temperaturregler |
| 3 | Ablagefach | 7 | Türablage |
| 4 | Luftverbesserer | | |

● ACHTUNG

Die vorstehende Abbildung dient lediglich als Referenz. Die vorhandene Konfiguration ist vom tatsächlichen Produkt oder den Angaben des Lieferanten abhängig.

INSTALLATION

Installationsanleitung

Für Kühlgeräte mit Klimaklasse

- In Abhängigkeit von der Klimaklasse ist diese Gefriertruhe für den Einsatz in dem Temperaturbereich bestimmt, der in nachstehender Tabelle angegeben ist.
- Die Klimaklasse finden Sie auf dem Typenschild. Außerhalb des angegebenen Temperaturbereiches arbeitet das Gerät u. U. nicht ordnungsgemäß.
- Sie können die Klimaklasse am Typenschild des Produkts finden.

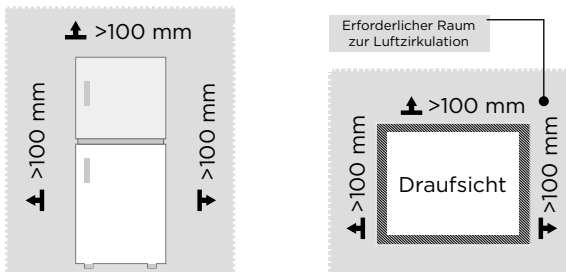
Effektiver Temperaturbereich

- Das Produkt wurde entwickelt, um in dem bei seiner Klimaklasse angegebenen Temperaturbereich normal zu arbeiten.

Klasse	Symbol	Umgebungstemperaturbereich °C	
		IEC 62552 (ISO 15502)	ISO 8561
Kaltgemäßigt	SN	+10 bis +32	+10 bis +32
Kühlgemäßigt	N	+16 bis +32	+16 bis +32
Subtropisch	ST	+16 bis +38	+18 bis +38
Tropisch	T	+16 bis +43	+18 bis +43

Abmessungen und Abstandsmaße

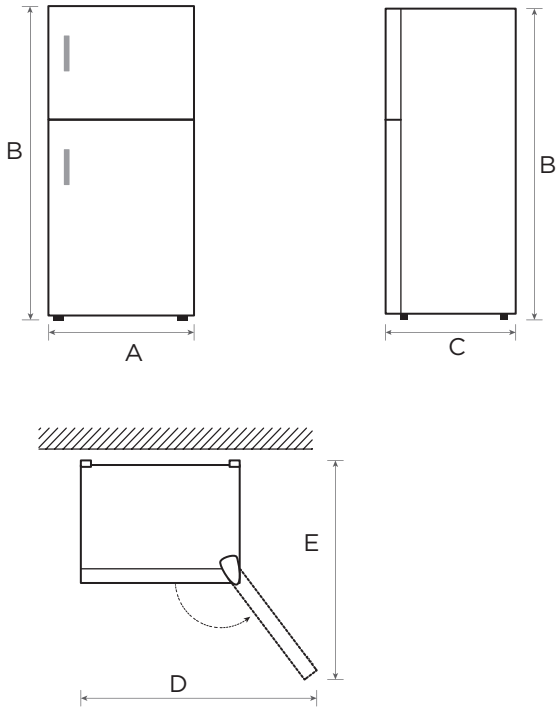
- Ein zu geringer Abstand zu nahegelegenen Gegenständen kann die Kühlfähigkeit herabsetzen und die Stromkosten erhöhen. Halten Sie bei Installation des Geräts mindestens 100 mm Abstand zu benachbarten Wänden ein.



⚠ ACHTUNG

Die vorstehende Abbildung dient lediglich als Referenz. Die vorhandene Konfiguration ist vom tatsächlichen Produkt oder den Angaben des Lieferanten abhängig.

Platzbedarf (bei geöffneter und bei geschlossener Tür)




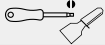


DE

Produktmodell	Breite	Gesamthöhe	Tiefe	Breite bei geöffneter Tür 135°	Tiefe bei geöffneter Tür 135°
	A	B	C	D	E
MDRT489MTE	595	1724	695	997	1137
Produktmodell	Breite	Gesamthöhe	Tiefe	Breite bei geöffneter Tür 125°	Tiefe bei geöffneter Tür 125°
	A	B	C	D	E
MDRT580MTE	700	1723	670	1085	1252
MDRT645MTE	700	1880	691	1085	1252

Hinweis: Alle Abmessungen in mm

Türanschlag wechseln

Liste der bereitzustellenden Werkzeuge

	Innensechskantschlüssel, Kreuzschlitzschraubendreher
	Spachtel, Schlitzschraubendreher
	8 mm" Steckschlüssel
	Abdeckband

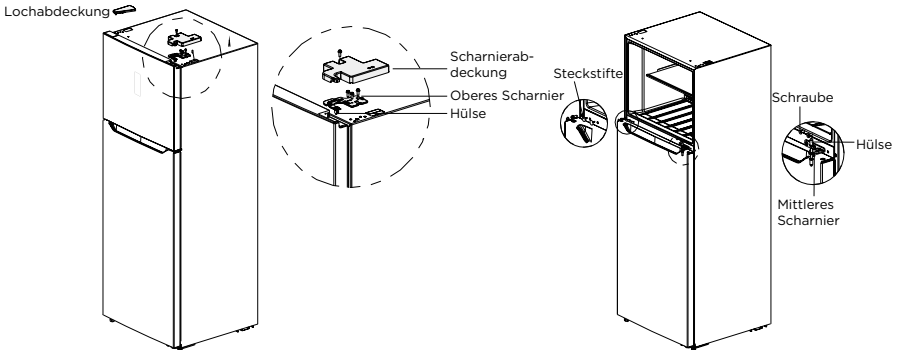
Teile zum Wechseln des Türanschlags

SN	Komponenten	Menge
1	Rechtes oberes Scharnier	1
2	Rechte obere Scharnierabdeckung	1
3	Obere Scharnierachsenhülse	1
4	Obere Scharnierschraube	3
5	Lochabdeckung	1
6	Mittlere Scharnierschraube	2
7	Mittleres Scharnier	1
8	Lochstöpsel	2
9	Mittelträgerschraube	1
10	Kappe der Mittelträgerschraube	1
11	Einstellbarer Standfuß	1
12	Untere Scharnierschraube	3
13	Untere Scharniereinheit	1
14	Schraube der unteren Endabdeckung der Gefriertür	1
15	Begrenzungsblock der unteren Endabdeckung der Gefriertür	1
16	Schraube der unteren Endabdeckung der Kühlschrantür	1
17	Begrenzungsblock der unteren Endabdeckung der Kühlschrantür	1
18	Obere Endabdeckung Achsmanschette der Kühlschrantür	1
19	Unterer Träger der Kühlschrantür	1
20	Zubehörpaket	4
21	Selbstverriegelung der rechten Tür	1

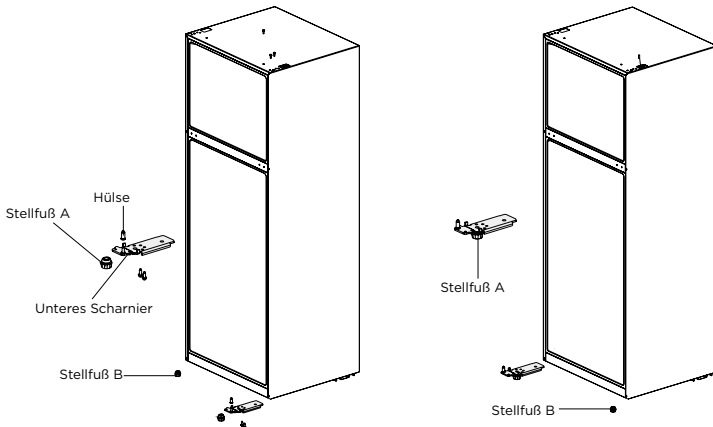
Hinweise:

- 1 - 19/Vorinstalliert am Kühlschrank und zu verwenden, wenn die Tür ausgetauscht wird
 20/Linkes oberes Scharnier, linke obere Scharnierabdeckung, Selbstverriegelung der linken Tür, linke Zierabdeckung
 21/Vorinstalliert am Kühlschrank, wird beim Auswechseln der Tür entfernt und behalten

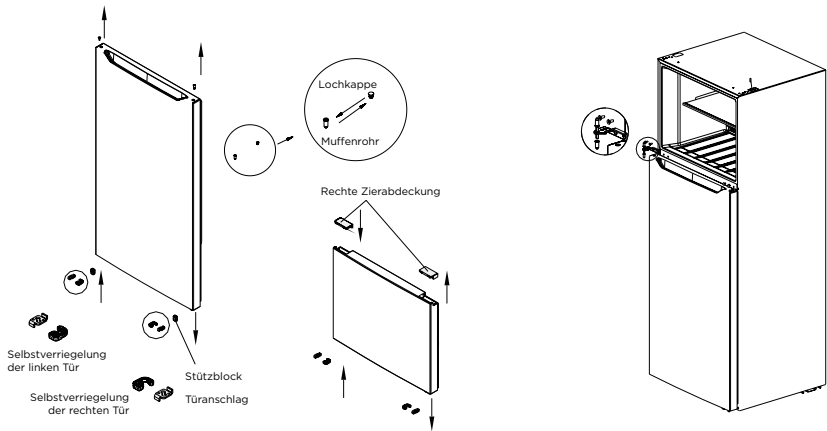
- Bitte schalten Sie das Gerät aus, bevor Sie diesen Vorgang durchführen.
- Entfernen Sie die Scharnierabdeckung und die Schraube auf der oberen rechten Seite des Gehäuses sowie das obere Scharnier und die Lochabdeckung auf der linken Seite.



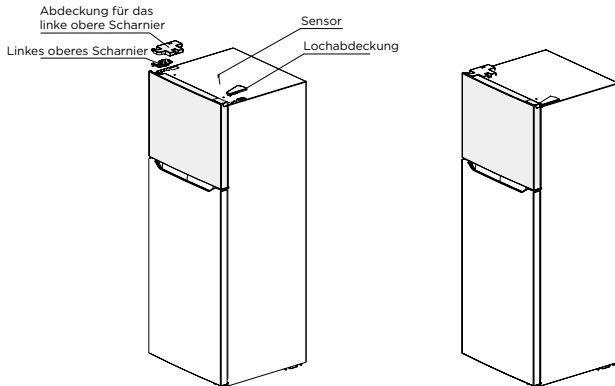
3. Schrauben Sie die Scharnierschraube ab, nehmen Sie das mittlere Scharnier und die obere Wellenhülse ab, entfernen Sie die beiden Scharnierlochabdeckungen (Steckstifte) am mittleren Scharnier und nehmen Sie den Türkörper des Kühlschranks nach oben heraus.
4. Montieren Sie die Scharnierwelle und die Wellenhülse in die linke Bohrung des unteren Scharniers, dann das untere Scharnier in die linke Ecke des Kühlschranks, dann den Stellfuß A entsprechend der in der Abbildung gezeigten Position, und schließlich den Stellfuß B in die rechte untere Ecke des Kühlschranks.



5. Demontieren Sie den Türanschlag der beiden Türkörper und die Selbstverriegelungsschrauben der rechten Tür und nehmen Sie dann die Selbstverriegelung der linken Tür aus dem Zubehörbeutel. Bauen Sie sie zusammen mit dem Türanschlag in die linke Ecke des Türkörpers ein. Nehmen Sie den unteren Stützblock des Türkörpers des Kühlbereichs heraus und bauen Sie ihn in die untere linke Ecke ein, nehmen Sie schließlich den Lochstöpsel und die Wellenhülse für die Tür des Kühlbereichs heraus und passen Sie ihre Positionen an. Bauen Sie sie dann in den Türkörper ein. Nehmen Sie die rechte Zierblende an der Kühlschranktür heraus und nehmen Sie die linke Zierblende aus dem Zubehörbeutel und bringen Sie sie an.



6. Montieren Sie die Kühlschranktür auf das untere Scharnier, das mittlere Scharnier auf der linken Seite des Kühlschranks, ziehen Sie die Schrauben fest und setzen Sie die Wellenhülse gut ein. Setzen Sie den Steckstift in das Loch am mittleren Träger am anderen Ende ein.
7. Montieren Sie die Tür des Gefrierfachs am mittleren Scharnier, nehmen Sie das linke obere Scharnier und die Abdeckung für das linke obere Scharnier aus dem Zubehörbeutel, montieren Sie das linke Scharnier und ziehen Sie die Schrauben an, montieren Sie die Abdeckung für das linke obere Scharnier und ziehen Sie die Schraube an, montieren Sie den rechten Sensor in der originalen linken Lochabdeckung, und befestigen Sie dann die Lochabdeckung am rechten Kasten.
8. Nach Abschluss der Montage.



● ACHTUNG


Die vorstehende Abbildung dient lediglich als Referenz. Die vorhandene Konfiguration ist vom tatsächlichen Produkt oder den Angaben des Lieferanten abhängig.

Nivellierfüße

Um Vibrationen zu vermeiden, muss das Gerät waagrecht ausgerichtet werden. Passen Sie bei Bedarf die Nivellierschrauben an, um unebene Böden auszugleichen.

Die Vorderseite sollte etwas höher sein als die Rückseite, um das Schließen der Tür zu erleichtern.

Nivellierschrauben können mühelos gedreht werden, indem Sie den Schrank leicht ankippen.

Drehen Sie die Nivellierschrauben gegen den Uhrzeigersinn , um das Gerät anzuheben, und im Uhrzeigersinn , um es abzusenken.

Bewegen des Geräts

1. Entfernen Sie sämtliche Lebensmittel aus dem Gerät.
2. Ziehen Sie den Netzstecker und stecken Sie ihn in den Netzsteckerhaken an der Rück- oder Oberseite des Gerätes.
3. Kleben Sie Teile wie Ablagen und Türgriff fest, damit sie beim Bewegen des Geräts nicht herunterfallen.
4. Bewegen Sie das Gerät vorsichtig mit mehr als zwei Personen. Halten Sie das Gerät beim Transport über weite Strecken aufrecht.
5. Schließen Sie den Netzstecker nach Installation des Gerätes an eine Steckdose an, um das Gerät einzuschalten.

ACHTUNG

Sicherheitsmaßnahmen vor der Inbetriebnahme:

Vor der Durchführung von Änderungen muss der Kühlschrank vom Stromnetz getrennt werden.

Es sollten Vorsichtsmaßnahmen getroffen werden, um Personenschäden zu vermeiden.

Leuchtmittel austauschen

- Der Austausch oder die Wartung aller LED-Lampen muss vom Hersteller, seinem Kundendienst oder einer ähnlich qualifizierten Person durchgeführt werden.

ACHTUNG

MDRT489MTE enthält eine Lichtquelle der Energieeffizienzklasse (F).

MDRT580MTE/MDRT645MTE enthält zwei Lichtquellen der Energieeffizienzklasse (F)

Gerät anschließen

Schließen Sie nach Installation des Gerätes den Netzstecker an eine Steckdose an.

ACHTUNG

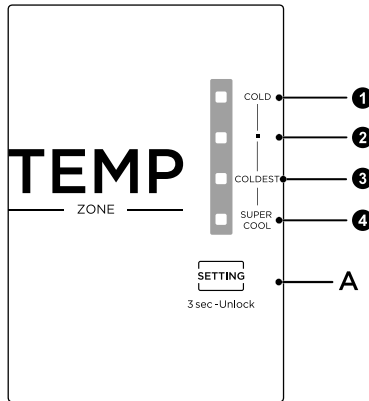
Warten Sie nach Anschluss des Netzkabels (oder Steckers) an eine Steckdose 2 oder 3 Stunden, bevor Sie Lebensmittel in das Gerät geben. Wenn Sie Lebensmittel hineingeben, bevor sich das Gerät vollständig herabgekühlt hat, könnten Ihre Lebensmittel verderben.

Tipps zum Energiesparen

- Stellen Sie das Gerät nicht in der Nähe von Herden, Heizkörpern oder anderen Wärmequellen auf. Wenn die Umgebungstemperatur hoch ist, läuft der Kompressor häufiger und länger, was zu einem höheren Energieverbrauch führt.
- Gewährleisten Sie eine ausreichende Belüftung an der Unterseite, den Seiten und der Rückseite des Geräts. Decken Sie die Lüftungsöffnungen keinesfalls ab.
- Bitte beachten Sie auch die Abstandsmaße im Kapitel „Installation“.
- Die Anordnung der Schubladen, Einlegeböden und Regale, wie in der Abbildung gezeigt, bietet die effizienteste Energienutzung und sollte daher so weit wie möglich beibehalten werden. Alle Schubladen und Einlegeböden sollten im Gerät verbleiben, um die Temperatur stabil zu halten und Energie zu sparen.
- Um einen größeren Stauraum zu erhalten (z.B. für großes Kühl-/Gefriergut), können die mittleren Schubladen herausgenommen werden. Die oberen und unteren Schubladen und Einlegeböden sollten bei Bedarf zuletzt herausgenommen werden.
- Ein gleichmäßig gefülltes Kühl-/Gefrierabteil trägt zu einer optimalen Energienutzung bei. Vermeiden Sie daher leere oder halbleere Fächer.
- Lassen Sie warme Lebensmittel abkühlen, bevor Sie sie in den Kühl-/Gefrierschrank stellen. Bereits abgekühlte Lebensmittel erhöhen die Energieeffizienz.
- Lassen Sie gefrorene Lebensmittel im Kühlschrankschrank auftauen. Die Kälte der gefrorenen Lebensmittel reduziert den Energieverbrauch im Kühlabteil und erhöht somit die Energieeffizienz.
- Öffnen Sie die Tür nur so kurz wie nötig, um den Kälteverlust zu minimieren. Wenn Sie die Tür nur kurz öffnen und wieder richtig schließen, verringert sich der Energieverbrauch.
- Die Türdichtungen Ihres Geräts müssen vollkommen intakt sein, damit die Türen ordnungsgemäß schließen und der Energieverbrauch nicht unnötig erhöht wird.

BEDIENHINWEISE

Bedienfeld



DE

Taste

- Einstellung 1 (COLD)
- Einstellung 2 (MID)
- Einstellung 3 (COLDEST)
- Einstellung 4 (SUPER COOL)
- Einstellung A (Temperatureinstelltaste des Kühlbereichs)

⚠ ACHTUNG

Das tatsächliche Bedienfeld kann sich von Modell zu Modell unterscheiden.

Display

- Wenn Sie den Kühlschrank zum ersten Mal am Stromnetz anschließen, leuchtet die Anzeige für 3 Sekunden auf, danach läuft der Kühlschrank mit Einstellung 3. Wenn ein Fehler auftritt, dann blinkt die entsprechende LED. Wenn keine Störungen vorliegen, zeigt sie die aktuelle Temperatureinstellung des Kühlschranks an.

Fehlercode	Fehlerbeschreibung
Anzeige Einstellung 3 und Einstellung 4	Ausfall des Kühlbereichstemperatursensors
Anzeige Einstellung 2 und Einstellung 4	Ausfall des Abtausensors des Gefrierbereichs
Anzeige Einstellung 1 und Einstellung 4	Ausfall des Umgebungstemperatursensors

Temperatureinstellung

- Mit jedem Tastendruck auf die Temperatureinstelltaste (A) ändert sich die Temperatureinstellung. Wenn die Temperatureinstellung abgeschlossen ist, läuft der Kühlschrank nach 15 Sekunden entsprechend der Einstellung weiter.
- Die Einstellungen werden wie folgt durchlaufen:

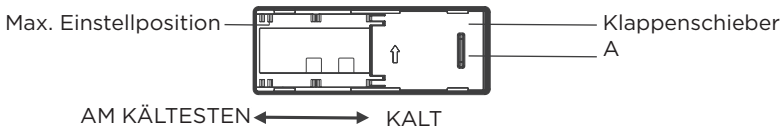


Verriegeln/Entriegeln

- Halten Sie die Temperatureinstelltaste TEMP für 3 Sekunden gedrückt, um das Gerät zu entriegeln, und 30 Sekunden, um es automatisch zu verriegeln, ohne es zu bedienen.

Einstellen der Klappenschiebers

- Die Temperatur im Gefrierschrank kann durch Verändern der Position des Klappenschiebers eingestellt werden. Die Ausgangsposition des Klappenschiebers ist die Position A. Wenn Sie eine niedrigere Temperatur im Gefrierschrank wünschen, können Sie den Klappenschieber von der Position A nach links verstellen.
- Für eine bessere Nutzung des Kühlschranks empfehlen wir, den Klappenschieber in der Ausgangsposition zu belassen.



Beenden der Benutzung

- **Stromausfall:** Bei einem Stromausfall können Nahrungsmittel selbst im Sommer im Inneren des Geräts mehrere Stunden lang aufbewahrt werden, wobei die Tür so wenig wie nur möglich geöffnet werden sollte und keine weiteren frischen Nahrungsmittel in den Kühlschrank gelegt/gestellt werden dürfen.
- **Nichtbenutzung über längere Zeit:** Sie müssen das Gerät vom Stromnetz trennen und anschließend reinigen. Lassen Sie danach die Kühlschranktüren geöffnet, um einer Geruchsbildung vorzubeugen.

Tipps zur Einlagerung von Lebensmitteln

Gefrierbereich

- Das Gefrierabteil ist zur Aufbewahrung von tiefgefrorenen Lebensmitteln, zur langfristigen Lagerung von Tiefkühlkost und die Herstellung von Eis bestimmt.
- Verwenden Sie die Ablagen in der Tür des Gefrierabteils nur zur Aufbewahrung von gefrorenen Lebensmitteln, nicht zur Aufbewahrung von heißen Lebensmitteln, die zum Einfrieren bestimmt sind.
- Legen Sie frische und gefrorene Lebensmittel nicht nebeneinander. Die gefrorenen Lebensmittel können auftauen.
- Wenn Sie frische Lebensmittel (wie Fleisch, Fisch oder Hackfleisch) einfrieren, schneiden Sie sie in Teile, die gleichzeitig verwendet werden.
- Lagerung von Tiefkühlkost: Auf den Verpackungen sind in der Regel Anweisungen angegeben, die Sie unbedingt befolgen sollten. Wenn keine Angaben auf der Verpackung zu finden sind, sollten die Lebensmittel nicht länger als drei Monate nach Kaufdatum aufbewahrt werden.
- Achten Sie beim Kauf von Tiefkühlkost darauf, dass sie bei einer geeigneten Temperatur eingefroren wurde und die Verpackung nicht beschädigt ist.
- Gefrorene Lebensmittel sollten in geeigneten Verpackungen aufbewahrt werden, um die Qualität zu erhalten, und sollten so schnell wie möglich wieder in das Gefrierabteil zurückgelegt werden.
- Wenn eine Packung mit gefrorenen Lebensmitteln Feuchtigkeit oder eine anormale Ausbeulung aufweist, wurde sie wahrscheinlich bei der falschen Temperatur gelagert und der Inhalt ist verdorben.
- Die Aufbewahrungsdauer für gefrorene Lebensmittel hängt von der Raumtemperatur, der Einstellung des Thermostats, der Häufigkeit des Öffnens der Gefrierschrantür, der Art der Lebensmittel und der Dauer des Transports des Produkts vom Geschäft zum Haushalt ab. Befolgen Sie stets die auf der Verpackung aufgedruckten Anweisungen und überschreiten Sie niemals die auf der Verpackung angegebene maximale Lagerzeit.

Gefrierfach

- Um Feuchtigkeit und anschließende Eisbildung zu vermeiden, sollten Sie niemals Flüssigkeiten in unverschlossenen Behältern in den Kühlschrank stellen. Frost neigt dazu, sich an den kältesten Stellen des Verdampfers zu sammeln. Wenn Sie Flüssigkeiten unverschlossen aufbewahren, müssen Sie häufiger abtauen.
- Geben Sie niemals warme Lebensmittel in den Kühlschrank. Diese sollten zunächst auf Zimmertemperatur abkühlen und dann so platziert werden, dass eine ausreichende Luftzirkulation im Kühlschrank gewährleistet ist.
- Lebensmittel oder Lebensmittelbehälter sollten nicht die Rückwand des Kühlschranks berühren, da sie an der Wand festfrieren können. Öffnen Sie die Tür des Kühlschranks nicht regelmäßig.
- Fleisch und sauberer Fisch (in einem Paket oder in Plastikfolie verpackt) können in den Kühlschrank gestellt und innerhalb von 1 - 2 Tagen verbraucht werden.
- Obst und Gemüse ohne Verpackung können Sie in das für frisches Obst und Gemüse vorgesehene Fach legen.

ACHTUNG

Die optimale Temperatureinstellung der einzelnen Fächer hängt von der Umgebungstemperatur ab. Die oben genannte optimale Temperatur basiert auf einer Umgebungstemperatur von 25 °C.

Reihenfolge	Fächer TYP	Zieltemp. [°C]	Geeignete Lebensmittel
1	Kühlschrank	+2 - +8	Eier, zubereitete Speisen, verpackte Lebensmittel, Obst und Gemüse, Milchprodukte, Kuchen, Getränke und andere Lebensmittel eignen sich nicht als Gefrierkost.
2	(***)*-Tiefkühlschrank	≤-18	Meeresfrüchte (Fisch, Garnelen, Schalentiere), Süßwasserprodukte und Fleischprodukte (empfohlen für 3 Monate, je länger gelagert, desto schlechter der Geschmack und der Nährwert), eignen sich als gefrorene Frischkost.
3	***-Tiefkühlschrank	≤-18	Meeresfrüchte (Fisch, Garnelen, Schalentiere), Süßwasserprodukte und Fleischprodukte (empfohlen für 3 Monate, je länger gelagert, desto schlechter der Geschmack und der Nährwert), eignen sich als gefrorene Frischkost.
4	** -Tiefkühlschrank	≤-12	Meeresfrüchte (Fisch, Garnelen, Schalentiere), Süßwasserprodukte und Fleischprodukte (empfohlen für 3 Monate, je länger gelagert, desto schlechter der Geschmack und der Nährwert), eignen sich als gefrorene Frischkost.
5	*-Tiefkühlschrank	≤-6	Meeresfrüchte (Fisch, Garnelen, Schalentiere), Süßwasserprodukte und Fleischprodukte (empfohlen für 3 Monate, je länger gelagert, desto schlechter der Geschmack und der Nährwert), eignen sich als gefrorene Frischkost.
6	0 Sterne	-6 - 0	Frisches Schweine-, Rind- und Hühnerfleisch, Fisch, einige verpackte verarbeitete Lebensmittel usw. (wir empfehlen, diese am selben Tag zu verzehren, vorzugsweise nicht später als nach 3 Tagen). Teilweise eingekapselte verarbeitete Lebensmittel (nicht gefrierbare Lebensmittel).
7	Kühlen	-2 - +3	Frisches / gefrorenes Schweine-, Rind- und Hühnerfleisch, Süßwasserprodukte, usw. (7 Tage unter 0 °C und über 0 °C wird für den Verzehr am selben Tages empfohlen, vorzugsweise nicht später als nach 2 Tagen). Meeresfrüchte (weniger als 0 für 15 Tage, es wird nicht empfohlen, sie über 0 °C zu lagern).
8	Frishkost	0 - +4	Frisches Schweine-, Rind- und Hühnerfleisch, Fisch, gekochte, Lebensmittel usw. (Es wird empfohlen, diese am selben Tag zu verzehren, vorzugsweise nicht später als nach 3 Tagen).
9	Wein	+5 - +20	Rotwein, Weißwein, Sekt, usw.

ACHTUNG

Bitte lagern Sie die verschiedenen Lebensmittel je nach Bereichen oder der angestrebten Lagertemperatur des gekauften Produkts.

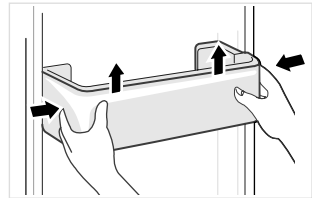
REINIGUNG UND PFLEGE

Abtauen

- Der Kühlschrank arbeitet nach dem Luftkühlungsprinzip und besitzt somit auch eine automatische Abtaufunktion. Sie können aber den Frost auch manuell entfernen, der sich aufgrund von Jahreszeitenwechsel oder Temperaturschwankungen bildet. Trennen Sie hierfür das Gerät vom Stromnetz oder wischen Sie ihn mit einem trockenen Handtuch weg.

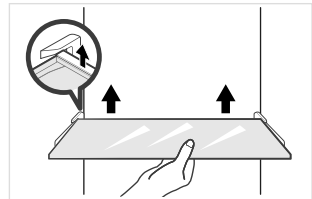
Reinigung der Türablage

- Drücken Sie die Ablage mit beiden Händen wie durch die Pfeile in nachstehender Abbildung angegeben zusammen und drücken Sie sie anschließend nach oben. Anschließend können Sie die Ablage herausnehmen.
- Reinigen Sie die Ablage gründlich und setzen Sie sie dann in der gewünschten Höhe wieder ein.



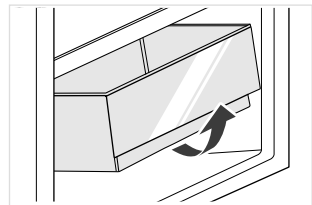
Reinigen der Glasablage

- Heben Sie die Ablagen an der hinteren Seite der Glasablage dort an, wo die Sicherung der Glasablage in der Halterung liegt und nehmen Sie anschließend die Glasablage heraus.
- Reinigen Sie die Glasablage und setzen Sie sie anschließend in der gewünschten Höhe wieder ein.



Reinigung der Gemüseschublade

1. Nehmen Sie den Inhalt der Schublade heraus. Halten Sie die Gemüseschublade am Griff fest und ziehen Sie sie vollständig bis zum Anschlag heraus.
2. Heben Sie die Gemüseschublade an und ziehen Sie sie heraus.



⚠ ACHTUNG

Für die Reinigung werden weiche Handtücher oder Schwämme empfohlen, die in Wasser mit nichtkorrosivem neutralem Reinigungsmittel getippt worden sind. Das Gefrierschubfach müssen Sie anschließend mit klarem Wasser abspülen und mit einem trockenen Tuch gründlich trocknen. Öffnen Sie die Türen, um den Kühlbereich auf natürliche Weise trocken zu lassen, bevor Sie den Kühlschrank wieder in Betrieb nehmen. Benutzen Sie für die Reinigung des Kühlschranks keine harten Bürsten, Stahltopfreiniger, Drahtbürsten, Scheuermittel wie beispielsweise Zahnpasta, organische Reinigungsmittel (wie Alkohol, Aceton, Bananenöl usw.), kochendes Wasser oder saure/basische Mittel, weil sie die Kühlschrankoberfläche sowie den Kühlschrankinnenraum angreifen können.

FEHLERSUCHE

Die nachstehenden einfachen Probleme können durch den/die Benutzer/-in selbst behoben werden. Wenn das Problem anschließend immer noch bestehen sollte, dann setzen Sie sich bitte mit der Kundendienstabteilung in Verbindung.

Problem	Mögliche Ursache
Kein Betrieb	<ul style="list-style-type: none"> Überprüfen Sie, ob das Gerät am Stromnetz angeschlossen ist und der Netzstecker ordnungsgemäß in der Netzsteckdose steckt.
	<ul style="list-style-type: none"> Überprüfen Sie, ob die Netzspannung zu gering ist.
	<ul style="list-style-type: none"> Überprüfen Sie, ob ein Stromausfall vorliegt, ein Schutzschalter ausgelöst wurde oder eine Sicherung durchgebrannt ist.
Gerüche	<ul style="list-style-type: none"> Geruchsintensive Nahrungsmittel müssen gut eingepackt werden.
	<ul style="list-style-type: none"> Überprüfen Sie, ob sich verdorbene Nahrungsmittel im Kühlschrank befinden.
	<ul style="list-style-type: none"> Reinigen Sie den Innenbereich des Kühlschranks
Langes Laufen des Kompressors	<ul style="list-style-type: none"> Ein langer Betrieb des Kühlschranks ist im Sommer normal.
	<ul style="list-style-type: none"> Wenn die Umgebungstemperatur hoch ist, sollten Sie nicht zu viele Lebensmittel gleichzeitig in das Gerät stellen/legen.
	<ul style="list-style-type: none"> Nahrungsmittel müssen ausreichend genug abgekühlt sein, bevor sie in den Kühlschrank gelegt/gestellt werden.
	<ul style="list-style-type: none"> Die Türen werden zu oft geöffnet.
Das Licht leuchtet nicht	<ul style="list-style-type: none"> Überprüfen Sie, ob der Kühlschrank am Stromnetz angeschlossen ist und ob ein Defekt des Leuchtmittels vorliegt.
	<ul style="list-style-type: none"> Lassen Sie bei Bedarf das Leuchtmittel durch eine(n) Techniker(in) ersetzen.
Die Tür kann nicht ordnungsgemäß geschlossen werden	<ul style="list-style-type: none"> Die Tür klemmt durch Lebensmittelverpackungen und/oder im Kühlschrank befinden sich zu viel Lebensmittel.
	<ul style="list-style-type: none"> Der Kühlschrank ist geneigt.
Laute Geräusche	<ul style="list-style-type: none"> Überprüfen Sie, ob der Kühlschrank nivelliert ist und stabil steht.
	<ul style="list-style-type: none"> Überprüfen Sie, ob sich die Zubehörteile an der vorgesehenen Stelle befinden.

Problem	Mögliche Ursache
Die Türdichtung dichtet nicht vollständig.	<ul style="list-style-type: none"> • Entfernen Sie Fremdstoffe, die sich auf der Türdichtung befinden. • Erhitzen Sie die Türdichtung und kühlen Sie sie anschließend zur Wiederherstellung ab (blasen Sie sie zum Erhitzen mit einem elektrischen Haartrockner an oder verwenden Sie ein heißes Tuch).
Die Wasserauffangschale läuft über	<ul style="list-style-type: none"> • Im Kühlbereich/Gefrierschubfach werden zu viele Nahrungsmittel aufbewahrt oder die aufbewahrten Nahrungsmittel enthalten zu viel Wasser, was zu einem starken Abtauen führt. • Die Türen sind nicht ordnungsgemäß geschlossen, wodurch es zum Gefrieren der Luft im Eingangsbereich kommt und dadurch die Wassermenge während des Abtauens ansteigt.
Das Gehäuse ist heiß	<ul style="list-style-type: none"> • Die Wärmeabführung erfolgt durch den eingebauten Kondensator über das Gehäuse, was normal ist. Wenn das Gehäuse durch hohe Umgebungstemperatur, Lagerung von zu vielen Lebensmitteln oder Abschalten des Kompressors heiß wird, sorgen Sie für eine gute Belüftung, um die Wärmeabführung zu erleichtern
Kondensation an der Oberfläche	<ul style="list-style-type: none"> • Kondensationen an der Außenseite des Kühlschranks und an den Kühlschranktürdichtungen sind normal, wenn die Umgebungstemperatur sehr hoch ist. Wischen Sie die Kondensation mit einem sauberen Tuch ab.

ANHANG

Speziell für den neuen EU-Standard

Die Ersatzteile in der folgenden Tabelle sind über den Serviceanbieter erhältlich

Ersatzteil	Bereitgestellt für	Mindestens für die Beschaffung benötigte Zeit
Thermostate	Geschultes Wartungspersonal	Mindestens 7 Jahre nach Markteinführung des letzten Modells
Temperatursensoren	Geschultes Wartungspersonal	Mindestens 7 Jahre nach Markteinführung des letzten Modells
Platinen	Geschultes Wartungspersonal	Mindestens 7 Jahre nach Markteinführung des letzten Modells
Lichtquellen	Geschultes Wartungspersonal	Mindestens 7 Jahre nach Markteinführung des letzten Modells
Türgriffe	Fachwerkstätten und Endbenutzer(innen)	Mindestens 7 Jahre nach Markteinführung des letzten Modells
Türscharniere	Fachwerkstätten und Endbenutzer(innen)	Mindestens 7 Jahre nach Markteinführung des letzten Modells
Ablagen	Fachwerkstätten und Endbenutzer(innen)	Mindestens 7 Jahre nach Markteinführung des letzten Modells
Körbe	Fachwerkstätten und Endbenutzer(innen)	Mindestens 7 Jahre nach Markteinführung des letzten Modells
Türdichtungen	Fachwerkstätten und Endbenutzer(innen)	Mindestens 10 Jahre nach Markteinführung des letzten Modells

Sehr geehrte Kundin, sehr geehrter Kunde

1. Wenn Sie das Produkt zurückgeben oder ersetzen möchten, dann setzen Sie sich bitte mit dem Geschäft in Verbindung, in dem Sie das Produkt erworben haben.

(Bringen Sie bitte auch den Kaufbeleg mit)

2. Wenn Ihr Produkt defekt ist und repariert werden muss, dann setzen Sie sich bitte mit dem Kundendienstserviceanbieter in Verbindung.

ACHTUNG

Die Modellinformationen in der Produktdatenbank sowie den Modellidentifikator können Sie über den Weblink durch Scannen des QR-Codes erhalten, wenn das Energieeffizienzchild des Produktes einen QR-Code enthält.

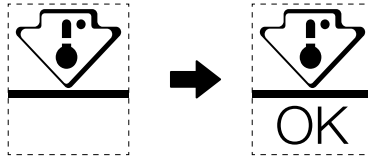
Weitere Informationen über die Energieeffizienz des Geräts finden Sie unter <https://ec.europa.eu>. Suchen Sie dort nach der Modellbezeichnung.

Die Modellbezeichnung finden Sie auf dem Typenschild des Geräts.

Die kälteste Zone im Kühlschrank

OPTIONAL: OK-Temperaturanzeige

- Mit der OK-Temperaturanzeige können Temperaturen unter +4 °C ermittelt werden. Reduzieren Sie die Temperatur schrittweise, wenn „OK“ nicht angezeigt wird.



DE

- Ändern Sie die Position der Ablage nicht, um die Temperatur in diesem Bereich sicherzustellen. Bei Kühlschränken mit verbesserter Luftzirkulation (ausgestattet mit einem Gebläse oder frostfreie Modelle) fehlt dieses Symbol, weil bei ihnen die Temperatur im Inneren homogen ist.

Temperaturindikatoreinstellung

- Der Kühlschrank ist mit einem Temperaturindikator ausgestattet, der die Durchschnittstemperatur im kältesten Bereich anzeigt, um Ihnen bei der Einstellung Ihres Kühlschranks zu helfen.
- ACHTUNG: Diese Anzeige ist auf Ihren Kühlschrank abgestimmt. Benutzen Sie sie weder in anderen Kühlschränken (weil dort der kälteste Bereich ein anderer ist) noch für andere Zwecke.

Überprüfen der Temperatur im kältesten Bereich

- Mit Hilfe des Temperaturindikators können Sie regelmäßig überprüfen, ob die Temperatur im kältesten Bereich richtig ist. Allerdings hängt die Innentemperatur des Kühlschranks von verschiedenen Faktoren wie beispielsweise der Raumtemperatur, der sich im Kühlschrank befindlichen Menge an Nahrungsmitteln und der Häufigkeit des Türöffnens ab. Ziehen Sie diese Faktoren in Ihre Überlegungen mit ein, wenn Sie das Gerät einstellen.
- Wenn die Anzeige „OK“ anzeigt, dann bedeutet das, dass der Thermostat ordnungsgemäß eingestellt und die Innentemperatur ordnungsgemäß ist.
- Wenn der Temperaturindikator WEISS wird, dann bedeutet das, dass die Temperatur zu hoch ist. Erhöhen Sie in diesem Fall die Einstellung der Kühlschranktemperaturregelung und warten Sie 12 Stunden, bevor Sie die Temperatur über den Temperaturindikator erneut überprüfen. Wenn Sie frische Nahrungsmittel hineingelegt/-gestellt haben oder die Tür eine Zeitlang geöffnet ist, kann es sein, dass der Temperaturindikator WEISS wird.

LETTERA DI RINGRAZIAMENTO

Grazie per avere scelto Midea! Prima di utilizzare il nuovo prodotto Midea, leggere attentamente il presente manuale per essere certi di sapere utilizzare in modo sicuro le caratteristiche e le funzioni offerte dal nuovo apparecchio.

INDICE

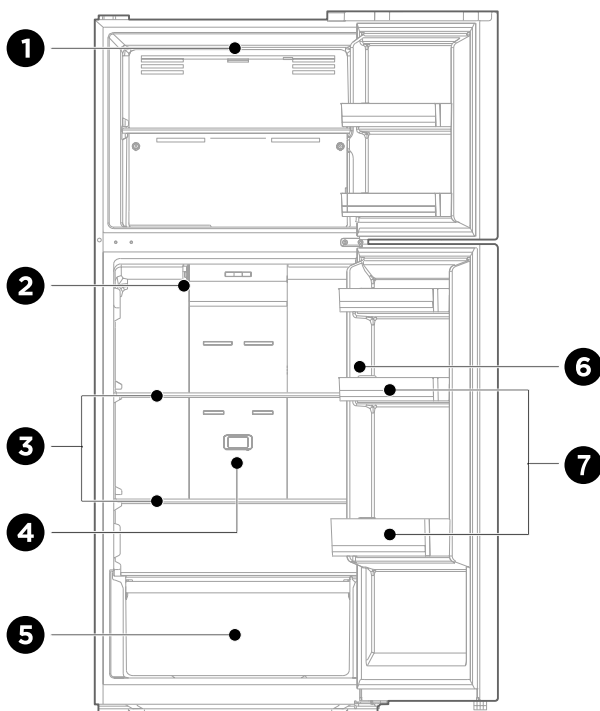
LETTERA DI RINGRAZIAMENTO	01
SPECIFICHE	02
PANORAMICA DEL PRODOTTO	03
INSTALLAZIONE DEL PRODOTTO	04
ISTRUZIONI PER L'USO	11
PULIZIA E MANUTENZIONE	15
RISOLUZIONE DEI PROBLEMI	16
APPENDICE	18

SPECIFICHE

Modello del prodotto	MDRT489MTE
Tensione/frequenza nominale	220-240 V-/50 Hz
Corrente nominale	0,7 A
Volume totale (l)	338 L
Volume dello scomparto di conservazione degli alimenti freschi	254 L
Volume dello scomparto a quattro stelle	84 L
Capacità di congelamento	3,9 Kg/24 ore
Tempo di incremento temperatura	10 ore
Dimensioni complessive (L x P x A)	595 x 695 x 1724 mm
Modello del prodotto	MDRT580MTE
Tensione/frequenza nominale	220-240 V-/50 Hz
Corrente nominale	1,5 A
Volume totale (l)	413 L
Volume dello scomparto di conservazione degli alimenti freschi	306 L
Volume dello scomparto a quattro stelle	107 L
Capacità di congelamento	5 kg/24 ore
Tempo di incremento temperatura	10 ore
Dimensioni complessive (L x P x A)	700 x 670 x 1723 mm
Modello del prodotto	MDRT645MTE
Tensione/frequenza nominale	220-240 V-/50 Hz
Corrente nominale	1,2 A
Volume totale (l)	463 L
Volume dello scomparto di conservazione degli alimenti freschi	356 L
Volume dello scomparto a quattro stelle	107 L
Capacità di congelamento	5 kg/24 ore
Tempo di incremento temperatura	10 ore
Dimensioni complessive (L x P x A)	700 x 691 x 1880 mm

PANORAMICA DEL PRODOTTO

Nomi dei componenti



- | | | | |
|---|--|---|----------------------------------|
| 1 | Luce LED | 5 | Contenitore per frutta e verdura |
| 2 | Cursore di regolazione del frigorifero | 6 | Controllo della temperatura |
| 3 | Ripiano | 7 | Ripiano dello sportello |
| 4 | Deodorante | | |

● ATTENZIONE

La figura sopra riportata viene fornita solo a scopo indicativo. La configurazione effettiva dipende dalle caratteristiche fisiche del prodotto e dalle indicazioni del distributore.

INSTALLAZIONE DEL PRODOTTO

Istruzioni di installazione

Apparecchi di refrigerazione con classe climatica

- A seconda della classe climatica, gli apparecchi di refrigerazione sono pensati per essere utilizzati alle temperature ambiente indicate nella tabella sottostante.
- La classe climatica è riportata sulla targhetta di identificazione del prodotto. Il prodotto potrebbe non funzionare correttamente a temperature che non rientrano nell'intervallo specificato.
- È possibile trovare la classe climatica sull'etichetta del prodotto.

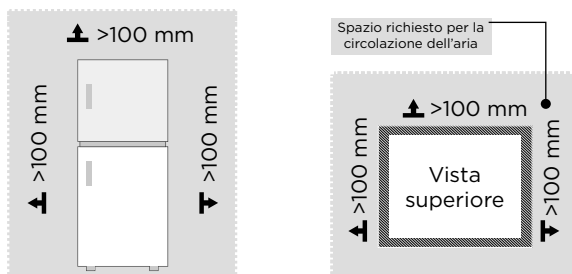
Intervallo di temperatura effettiva

- L'apparecchio è pensato per funzionare normalmente entro l'intervallo di temperatura specificato a seconda della classe climatica.

Classe	Simbolo	Intervallo di temperatura ambiente °C	
		IEC 62552 (ISO 15502)	ISO 8561
Area temperata estesa	SN	da + 10 a + 32	da + 10 a + 32
Area temperata	N	da + 16 a + 32	da + 16 a + 32
Area Subtropicale	ST	da + 16 a + 38	da + 18 a + 38
Area Tropicale	T	da + 16 a + 43	da + 18 a + 43

Dimensioni e spazi

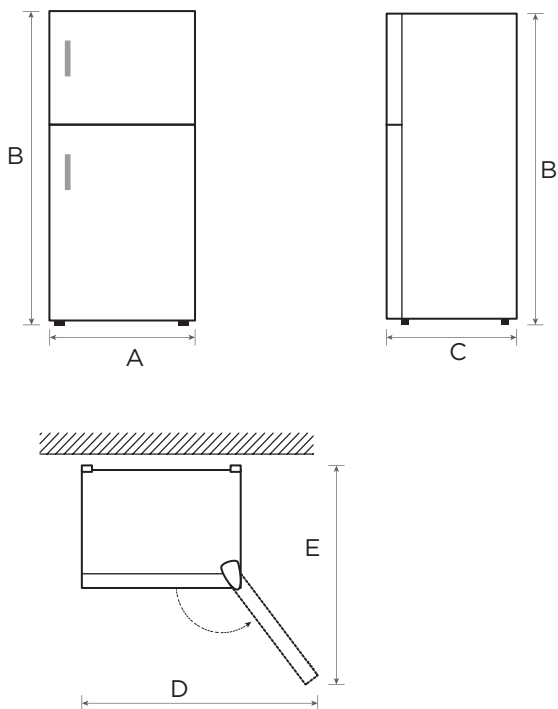
- Una distanza eccessivamente esigua dagli elementi adiacenti può comportare una riduzione della capacità di congelamento e un aumento dei costi dell'elettricità. Durante l'installazione dell'apparecchio, lasciare una distanza di oltre 100 mm da ogni parete adiacente.



ATTENZIONE

La figura sopra riportata viene fornita solo a scopo indicativo. La configurazione effettiva dipende dalle caratteristiche fisiche del prodotto e dalle indicazioni del distributore.

Disegno sui requisiti di spazio (quando lo sportello è aperto e quando è chiuso)



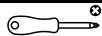
IT

Modello del prodotto	Larghezza	Altezza complessiva	Profondità	Larghezza con sportelli aperti a 135°	Profondità con sportelli aperti a 135°
	A	B	C	D	E
MDRT489MTE	595	1724	695	997	1137
Modello del prodotto	Larghezza	Altezza complessiva	Profondità	Larghezza con sportelli aperti a 125°	Profondità con sportelli aperti a 125°
	A	B	C	D	E
MDRT580MTE	700	1723	670	1085	1252
MDRT645MTE	700	1880	691	1085	1252

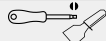
Nota: Tutte le dimensioni in mm

Cambio dello sportello da destra a sinistra

Elenco degli attrezzi necessari all'utente



Chiave a brugola con cacciavite a croce



Cacciavite sottile a spatola



Chiave a tubo da 5/16"



Nastro per mascheratura

Componenti da utilizzare per l'inversione dello sportello

SN	Parti	Quantità
1	Cerniera superiore destra	1
2	Copertura cerniera superiore destra	1
3	Manicotto per l'asse della cerniera superiore	1
4	Vite cerniera superiore	3
5	Coperchio dei fori	1
6	Vite cerniera centrale	2
7	Cerniera centrale	1
8	Tappo dei fori	2
9	Vite trave centrale	1
10	Cappuccio per vite della trave centrale	1
11	Piedino regolabile	1
12	Vite cerniera inferiore	3
13	Gruppo cerniere inferiori	1
14	Vite copertura terminale inferiore dello sportello del congelatore	1
15	Blocco della copertura terminale inferiore dello sportello del congelatore	1
16	Vite della copertura terminale inferiore dello sportello del frigorifero	1
17	Blocco della copertura terminale inferiore dello sportello del frigorifero	1
18	Manicotto per l'asse della copertura terminale superiore dello sportello del frigorifero	1
19	Supporto inferiore dello sportello del frigorifero	1
20	Confezione di accessori	4
21	Meccanismo autobloccante dello sportello destro	1

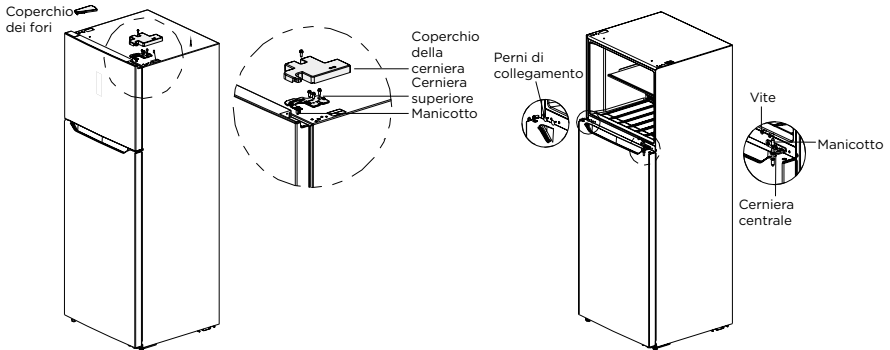
Note:

1-19/Preinstallato sul frigorifero e da utilizzare in caso di inversione dello sportello

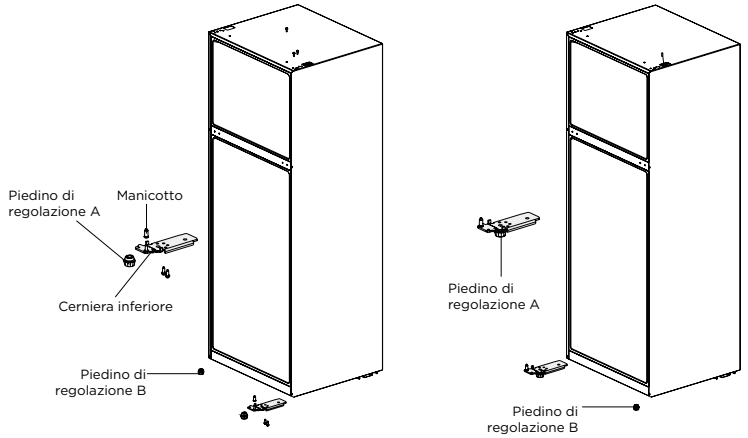
20/Cerniera superiore sinistra, copertura cerniera superiore sinistra, meccanismo autobloccante dello sportello sinistro, copertura decorativa sinistra

21/Preinstallato sul frigorifero, rimosso e conservato quando si cambia lo sportello.

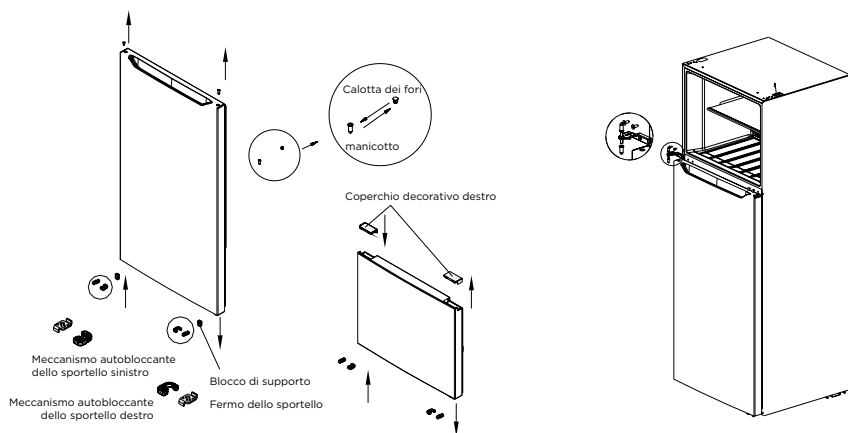
1. Spegnerne l'elettrodomestico prima di effettuare questa operazione.
2. Rimuovere il coperchio della cerniera e la vite sul lato superiore destro della cassetta, nonché la cerniera superiore e il coperchio dei fori sul lato sinistro.



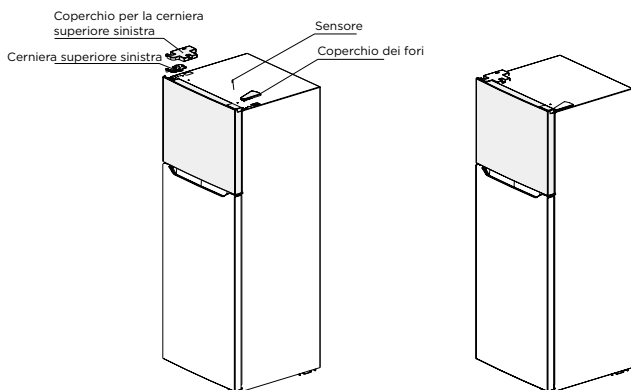
3. Svitare la vite della cerniera, togliere la cerniera centrale e il manicotto dell'asse superiore, togliere le due coperture dei fori della cerniera (perni di collegamento) sulla cerniera centrale, dopodiché sfilare il corpo dello sportello del vano frigorifero verso l'alto.
4. Installare l'asse della cerniera e il manicotto dell'asse nel foro sinistro della cerniera inferiore, quindi la cerniera inferiore nell'angolo sinistro del frigorifero, successivamente il piedino di regolazione A secondo la posizione indicata in figura e infine il piedino di regolazione B nell'angolo inferiore destro del frigorifero.



5. Smontare il fermo dei due corpi dello sportello e le viti autobloccanti dello sportello destro, quindi estrarre il meccanismo autobloccante dello sportello sinistro dalla borsa degli accessori e installarlo nell'angolo sinistro del corpo dello sportello insieme al fermo dello stesso; estrarre il blocco di supporto inferiore del corpo dello sportello del vano frigorifero e installarlo nell'angolo inferiore sinistro, infine estrarre il tappo dei fori e il manicotto dell'asse per lo sportello del vano frigorifero e regolare le loro posizioni, quindi installarli nel corpo dello sportello; estrarre il coperchio decorativo destro sullo sportello del vano frigorifero, dopodiché estrarre il coperchio decorativo sinistro dalla borsa degli accessori e installarlo.



6. Installare lo sportello del vano frigorifero sulla cerniera inferiore, quella centrale sul lato sinistro del frigorifero e stringere le viti, poi posizionare correttamente il manicotto dell'asse. Installare il perno di collegamento nel foro della trave centrale nell'altra estremità.
7. Installare lo sportello del congelatore sulla cerniera centrale, estrarre la cerniera superiore sinistra e il coperchio per la cerniera superiore sinistra dalla borsa degli accessori, installare la cerniera sinistra e stringere le viti, installare il coperchio per la cerniera superiore sinistra e stringere la vite, installare il sensore destro nel coperchio per i fori sinistro originale, infine fissare il coperchio per i fori sulla cassetta destra.
8. Dopo aver completato l'installazione.



● ATTENZIONE

La figura sopra riportata viene fornita solo a scopo indicativo. La configurazione effettiva dipende dalle caratteristiche fisiche del prodotto e dalle indicazioni del distributore.


Piedini di livellamento

Per evitare vibrazioni, l'unità deve trovarsi in piano.

Se necessario, regolare le viti di livellamento per compensare le irregolarità del pavimento.

La parte anteriore deve essere leggermente più alta rispetto a quella posteriore per facilitare la chiusura dello sportello.

Le viti di livellamento possono essere ruotate facilmente ribaltando leggermente il mobile.

Girare le viti di livellamento in senso antiorario  per sollevare l'unità, in senso orario  per abbassarla.

Spostamento dell'apparecchio

1. Rimuovere tutti gli alimenti che si trovano all'interno dell'apparecchio.
2. Scollegare la spina di alimentazione, inserirla e fissarla nell'apposito gancio posto sul retro o sulla parte superiore dell'apparecchio.
3. Avvolgere con nastro adesivo parti come i ripiani e la maniglia dello sportello per evitare che cadano durante lo spostamento dell'apparecchio.
4. Spostare con cautela l'apparecchio insieme a più di due persone. In caso di trasporto dell'apparecchio per lunghi tratti, tenere l'apparecchio in posizione verticale.
5. Dopo aver installato l'apparecchio, collegare la spina a una presa di corrente per accenderlo.

ATTENZIONE

Precauzioni prima dell'utilizzo:

Prima di apportare qualunque modifica al frigorifero, scollegarlo dall'alimentazione. Inoltre è necessario prendere le dovute precauzioni per evitare lesioni personali.

Sostituzione della luce

- Tutte le operazioni di sostituzione e manutenzione sulle lampade a LED devono essere svolte dal produttore, dal suo personale di assistenza autorizzato o altro personale qualificato.

ATTENZIONE

MDRT489MTE contiene una fonte di luce di classe di efficienza energetica (F).

MDRT580MTE/MDRT645MTE contiene due sorgenti luminose con classe di efficienza energetica (F).

Collegamento dell'apparecchio

Dopo l'installazione dell'apparecchio, collegare la spina di alimentazione a una presa elettrica.

ATTENZIONE

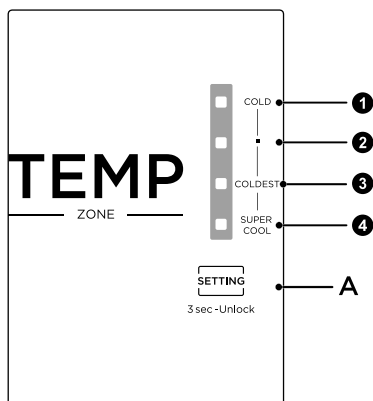
Dopo aver collegato il cavo di alimentazione (o la spina) alla presa elettrica, attendere 2 o 3 ore prima di introdurre gli alimenti nell'apparecchio. In caso di aggiunta di alimenti prima che l'apparecchio si sia completamente raffreddato, gli alimenti potrebbero guastarsi.

Suggerimenti per il risparmio energetico

- Non collocare l'apparecchio vicino a fornelli, radiatori o altre fonti di calore. Se la temperatura ambiente è elevata, il compressore funzionerà più spesso e più a lungo, con conseguente aumento del consumo energetico.
- Assicurarsi che vi sia una ventilazione sufficiente alla base, sui lati e sul retro dell'apparecchio. Non coprire mai le aperture di ventilazione.
- Inoltre, osservare le distanze indicate nel capitolo "Installazione".
- La disposizione dei cassetti, degli scaffali e dei ripiani come raffigurato nell'illustrazione garantisce un uso più efficiente dell'energia e dovrebbe quindi essere rispettata il più possibile. Tutti i cassetti e i ripiani devono rimanere sempre nell'apparecchio, per mantenere una temperatura stabile e risparmiare energia.
- Per ottenere uno spazio più ampio (ad esempio per prodotti refrigerati/congelati di grandi dimensioni), è possibile rimuovere i cassetti centrali. I cassetti e i ripiani superiori e inferiori devono essere rimossi per ultimi, se necessario.
- Un vano frigorifero/congelatore riempito in modo uniforme contribuisce a un consumo energetico ottimale. Pertanto, evitare di mantenere gli scomparti vuoti o semivuoti.
- Lasciare raffreddare gli alimenti caldi prima di metterli nel frigorifero/congelatore. Gli alimenti già raffreddati aumentano l'efficienza energetica.
- Lasciare scongelare gli alimenti congelati in frigorifero. Il freddo degli alimenti congelati riduce il consumo di energia nel vano frigorifero, aumentando così l'efficienza energetica.
- Aprire lo sportello solo per il tempo necessario, in modo da ridurre al minimo la dispersione del freddo. Aprire brevemente lo sportello e chiuderlo correttamente per ridurre il consumo energetico.
- Le guarnizioni dello sportello dell'apparecchio devono essere perfettamente intatte, in modo che gli sportelli possano chiudersi correttamente e il consumo energetico non aumenti inutilmente.

ISTRUZIONI PER L'USO

Pannello di controllo



IT

Tasto

- Impostazione 1 (COLD)
- Impostazione 2 (MID)
- Impostazione 3 (COLDEST)
- Impostazione 4 (SUPER COOL)
- Impostazione A (pulsante di impostazione della temperatura del vano frigorifero)

ATTENZIONE

Il pannello comandi effettivo può variare da modello a modello.

Display

- Quando si alimenta il frigorifero per la prima volta, lo schermo del display si illumina completamente per 3 secondi, dopodiché il frigorifero funziona secondo l'impostazione 3. In caso di anomalia, i LED corrispondenti lampeggeranno. In caso di normale funzionamento, mostra la temperatura effettiva impostata nel refrigeratore.

Codice di guasto	Descrizione del guasto
Indicatore dell'impostazione 3 e dell'impostazione 4	Guasto del sensore di temperatura del vano frigorifero
Indicatore dell'impostazione 2 e dell'impostazione 4	Guasto del sensore di sbrinamento del vano congelatore
Indicatore dell'impostazione 1 e dell'impostazione 4	Guasto del sensore di temperatura ambiente

Impostazione della temperatura

- Ogni volta che viene premuto il pulsante di impostazione della temperatura (A), l'impostazione della temperatura cambia una volta. Al termine dell'impostazione della temperatura, dopo 15 secondi il frigorifero funziona in base all'impostazione.
- L'impostazione cambia nel seguente ordine:

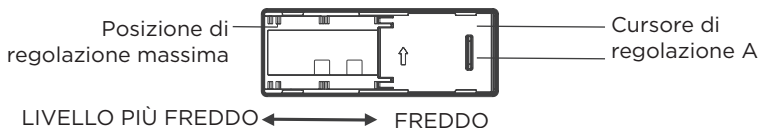


Blocco/Sblocco

- Premere a lungo il tasto TEMP per 3 secondi per lo sblocco e per 30 secondi per il bloccaggio automatico senza intervento.

Cursore di regolazione del frigorifero

- La temperatura all'interno del congelatore può essere regolata modificando la posizione del cursore di regolazione. La posizione iniziale del cursore di regolazione è in posizione A. Se è necessaria una temperatura più bassa all'interno del congelatore, è possibile regolare il cursore di regolazione dalla posizione A verso sinistra.
- Per utilizzare il frigorifero in modo ottimale, si consiglia di mantenere il cursore di regolazione nella posizione iniziale.



Interruzione dell'utilizzo

- **Interruzione di corrente:** in caso di interruzioni di corrente, l'apparecchio è in grado di conservare gli alimenti contenuti al suo interno per diverse ore, anche in estate. Durante l'interruzione di corrente, ridurre le aperture del frigo ed evitare di introdurre altri alimenti freschi.
- **Periodi prolungati di mancato utilizzo:** in tal caso il frigorifero deve essere scollegato dall'alimentazione elettrica, lasciando lo sportello aperto per evitare la formazione di cattivi odori al suo interno.

Consigli per la conservazione degli alimenti

Vano congelatore

- Il congelatore è destinato alla conservazione di alimenti congelati a bassissima temperatura, alla conservazione a lungo termine di alimenti congelati e alla produzione di ghiaccio.
- Utilizzare i ripiani dello sportello del congelatore solo per conservare gli alimenti già congelati e non per conservare gli alimenti caldi che saranno poi congelati.
- Non posizionare gli alimenti freschi e quelli congelati gli uni accanto agli altri. Il cibo congelato potrebbe scongelarsi.
- Quando si congelano alimenti freschi (ad esempio carne, pesce o carne tritata), tagliarli in parti in modo che possano essere utilizzati più comodamente.
- Conservazione degli alimenti surgelati: le istruzioni sono solitamente riportate sulle confezioni e devono essere rispettate. Se non ci sono informazioni sulla confezione, gli alimenti non devono essere conservati per più di tre mesi a partire dalla data di acquisto.
- Quando si acquistano alimenti surgelati, assicurarsi che siano stati congelati a una temperatura adeguata e che la confezione non sia danneggiata.
- Gli alimenti congelati devono essere conservati in confezioni adeguate per mantenerne la qualità e devono essere rimessi nel vano congelatore il prima possibile.
- Se una confezione di alimenti surgelati presenta umidità o rigonfiamenti anomali, è probabile che sia stata conservata a una temperatura sbagliata e che il contenuto sia danneggiato.
- Il periodo di conservazione degli alimenti surgelati dipende dalla temperatura ambiente, dall'impostazione del termostato, dalla frequenza di apertura dello sportello del congelatore, dal tipo di alimento e dal tempo di trasporto del prodotto dal negozio a casa. Seguire sempre le istruzioni stampate sulla confezione e non superare mai il tempo massimo di conservazione indicato sulla stessa confezione.

Vano frigorifero

- Per ridurre l'umidità e la conseguente formazione di ghiaccio, non introdurre mai nel frigorifero liquidi in contenitori non sigillati. La brina tende a concentrarsi nelle parti più fredde dell'evaporatore. La conservazione di liquidi non coperti comporta una maggiore frequenza di sbrinamento.
- Non collocare mai alimenti caldi nel frigorifero. Questi alimenti devono prima raffreddarsi a temperatura ambiente e poi essere posizionati in modo da garantire un'adeguata circolazione dell'aria nel frigorifero.
- Gli alimenti o i contenitori non devono toccare la parete posteriore del frigorifero, poiché potrebbero congelarsi. Non aprire lo sportello del frigorifero troppo di frequente.
- La carne e il pesce pulito (confezionato in un pacchetto o in un foglio di plastica) possono essere riposti nel frigorifero e consumati entro 1-2 giorni.
- La frutta e la verdura senza confezione possono essere riposte nel vano designato alla frutta e alla verdura fresca.

ATTENZIONE

L'impostazione della temperatura ottimale di ogni scomparto dipende dalla temperatura ambiente. La temperatura ottimale si basa su una temperatura ambiente di 25 °C.

Ordine	TIPOLOGIA scomparto	Temp. di conservazione nominale [°C]	Alimenti adatti
1	Frigorifero	+2 - +8	Uova, cibi cotti, cibi confezionati, frutta e verdura, latticini, dolci, bevande e altri alimenti non sono adatti per essere congelati.
2	(***)*-Congelatore	≤-18	Prodotti ittici (pesce, gamberetti, frutti di mare), prodotti ittici d'acqua dolce e prodotti a base di carne (tempo di conservazione consigliato: 3 mesi; più lungo è il tempo di conservazione, peggiori saranno il sapore e le proprietà nutritive), adatto per alimenti freschi congelati.
3	***-Congelatore	≤-18	Prodotti ittici (pesce, gamberetti, frutti di mare), prodotti ittici d'acqua dolce e prodotti a base di carne (tempo di conservazione consigliato: 3 mesi; più lungo è il tempo di conservazione, peggiori saranno il sapore e le proprietà nutritive), adatto per alimenti freschi congelati.
4	** -Congelatore	≤-12	Prodotti ittici (pesce, gamberetti, frutti di mare), prodotti ittici d'acqua dolce e prodotti a base di carne (tempo di conservazione consigliato: 3 mesi; più lungo è il tempo di conservazione, peggiori saranno il sapore e le proprietà nutritive), adatto per alimenti freschi congelati.
5	*-Congelatore	≤-6	Prodotti ittici (pesce, gamberetti, frutti di mare), prodotti ittici d'acqua dolce e prodotti a base di carne (tempo di conservazione consigliato: 3 mesi; più lungo è il tempo di conservazione, peggiori saranno il sapore e le proprietà nutritive), adatto per alimenti freschi congelati.
6	0 stelle	-6 - 0	Carne fresca di maiale, manzo, pesce, pollo, alcuni alimenti trattati e confezionati, ecc. (si consiglia il consumo in giornata e preferibilmente entro un massimo di 3 giorni). Alimenti parzialmente trasformati e incapsulati (alimenti che non possono essere congelati).
7	Conservazione a breve termine	-2 - +3	Carne di maiale fresca/congelata, manzo, pollo, prodotti ittici d'acqua dolce, ecc. (7 giorni sotto 0 °C e sopra 0 °C si consiglia di consumarli entro lo stesso giorno, preferibilmente entro non più di 2 giorni). Prodotti ittici (meno di 0 per 15 giorni, si sconsiglia di conservarli sopra 0 °C).
8	Alimenti freschi	0 - +4	Carne fresca di maiale, manzo, pesce, pollo, alimenti cotti ecc. (si consiglia il consumo in giornata e preferibilmente entro un massimo di 3 giorni).
9	Vino	+5 -+20	Vino rosso, vino bianco, spumante, ecc.

ATTENZIONE

conservare gli alimenti in base agli scomparti o alla temperatura di conservazione desiderata.

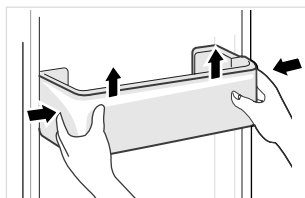
PULIZIA E MANUTENZIONE

Sbrinamento

- Il frigorifero funziona in base al principio di raffreddamento ad aria ed è dotato della funzione di sbrinamento automatico. Il ghiaccio che si forma a causa di variazioni stagionali di temperatura può essere rimosso anche manualmente, scollegando l'apparecchio dall'alimentazione elettrica o utilizzando un panno asciutto.

Pulizia del balconcino della porta

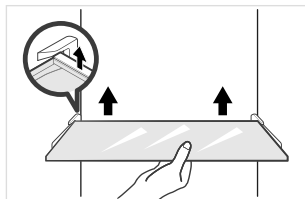
- Seguendo la freccia direzionale indicata nella figura seguente, afferrare il vassoio con entrambe le mani e spingerlo verso l'alto per poi estrarlo.
- Dopo aver lavato il vassoio estratto, risistemarlo all'altezza di installazione richiesta.



IT

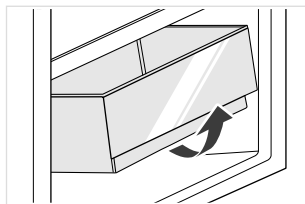
Pulizia dei ripiani in vetro

- Poiché la parte interna del frigo viene a contatto con i ripiani e funge da arresto, è possibile sollevare i ripiani per estrarli.
- Pulire e sistemare i ripiani come richiesto.



Pulizia del cassetto delle verdure

1. Rimuovere i contenuti del cassetto. Afferrare la maniglia del cassetto delle verdure ed estrarlo completamente fino all'arresto.
2. Sollevare il cassetto delle verdure e rimuoverlo estraendolo completamente.



● ATTENZIONE

Per la pulizia si consiglia di utilizzare spugne o asciugamani morbidi imbevuti di acqua e detersivi neutri non corrosivi. Il congelatore deve infine essere pulito con acqua e un panno asciutto. Aprire lo sportello per lasciare asciugare naturalmente prima di collegare la corrente. Non usare spazzole dure, sfere d'acciaio, spazzole metalliche, sostanze abrasive come il dentifricio, solventi organici (come ad esempio alcool, acetone, olio di banana, ecc.), acqua bollente, acidi o alcalini per pulire il frigorifero, poiché potrebbero danneggiare la superficie e l'interno del frigorifero.

RISOLUZIONE DEI PROBLEMI

I seguenti problemi semplici possono essere risolti dall'utente. Contattare il servizio di assistenza post-vendita se non è possibile risolvere questi problemi.

Problema	Possibile causa
Mancato funzionamento	<ul style="list-style-type: none">• Controllare che l'elettrodomestico sia collegato all'alimentazione elettrica e che la spina sia ben inserita nella presa.
	<ul style="list-style-type: none">• Verificare che la tensione non sia troppo bassa.
	<ul style="list-style-type: none">• Verificare che non ci siano interruzioni di corrente o cortocircuiti anche parziali
Cattivi odori	<ul style="list-style-type: none">• Le vivande che emanano forte odore devono essere accuratamente protette
	<ul style="list-style-type: none">• Controllare che non ci siano alimenti andati a male.
	<ul style="list-style-type: none">• Pulire l'interno del frigorifero
Usura del compressore per funzionamento prolungato	<ul style="list-style-type: none">• È normale che il compressore del frigorifero funzioni più a lungo in estate.
	<ul style="list-style-type: none">• Quando la temperatura ambiente è elevata in estate, si raccomanda di non sovraccaricare mai l'apparecchio introducendo troppi alimenti contemporaneamente.
	<ul style="list-style-type: none">• Le vivande calde devono essere fatte raffreddare prima di essere messe in frigo• Gli sportelli vengono aperti troppo di frequente
La luce non si accende	<ul style="list-style-type: none">• Controllare che il frigorifero sia collegato correttamente all'alimentazione e che la lampadina non sia danneggiata.
	<ul style="list-style-type: none">• La luce deve essere sostituita da un tecnico esperto
Lo sportello non si chiude correttamente	<ul style="list-style-type: none">• Lo sportello è ostruito da confezioni di alimenti o l'apparecchio è troppo pieno
	<ul style="list-style-type: none">• Il frigorifero è inclinato.
Rumori forti	<ul style="list-style-type: none">• Controllare che il pavimento sia livellato e che il frigorifero vi sia poggiato in modo stabile
	<ul style="list-style-type: none">• Controllare che gli accessori siano posizionati correttamente.

Problema	Possibile causa
La guarnizione dello sportello non garantisce una chiusura ermetica	<ul style="list-style-type: none"> • Rimuovere eventuali corpi estranei dalla guarnizione dello sportello • Riscaldare e raffreddare la guarnizione dello sportello per ripristinarla (oppure servirsi di un asciugatore elettrico o di una tovaglia bollente per riscaldarla)
Fuoriuscita dell'acqua dalla vaschetta di raccolta	<ul style="list-style-type: none"> • Ci sono troppi alimenti nel frigorifero, oppure gli alimenti conservati contengono troppa acqua e ciò causa un eccessivo sbrinamento. • Gli sportelli non si chiudono correttamente, causando la formazione di ghiaccio a causa dell'ingresso di aria e un aumento dell'acqua di sbrinamento.
L'involucro esterno dell'apparecchio è caldo	<ul style="list-style-type: none"> • La dissipazione di calore del condensatore integrato avviene normalmente tramite l'alloggiamento del frigorifero. Se l'alloggiamento diventa troppo caldo a causa dell'elevata temperatura ambientale o per la conservazione di troppe vivande, si suggerisce di garantire un'adeguata ventilazione per facilitare la dissipazione del calore
Condensa sulla superficie	<ul style="list-style-type: none"> • La formazione di condensa sulla superficie esterna e sulle guarnizioni degli sportelli del frigorifero è normale quando l'umidità dell'ambiente è elevata. È sufficiente asciugare la condensa con un panno pulito.

APPENDICE

Disposizioni speciali dei nuovi standard europei

I pezzi di ricambio indicati nella tabella che segue possono essere acquistati tramite il servizio di assistenza

Parte da ordinare	Fornita da	Tempo minimo di messa a disposizione
Termostati	Personale di manutenzione professionale	Almeno 7 anni dopo il lancio sul mercato dell'ultimo modello
Sensori di temperatura	Personale di manutenzione professionale	Almeno 7 anni dopo il lancio sul mercato dell'ultimo modello
Circuiti stampati	Personale di manutenzione professionale	Almeno 7 anni dopo il lancio sul mercato dell'ultimo modello
Sorgente luminosa	Personale di manutenzione professionale	Almeno 7 anni dopo il lancio sul mercato dell'ultimo modello
Maniglie degli sportelli	Riparatori professionisti e utenti finali	Almeno 7 anni dopo il lancio sul mercato dell'ultimo modello
Cerniere dello sportello	Riparatori professionisti e utenti finali	Almeno 7 anni dopo il lancio sul mercato dell'ultimo modello
Vassoi	Riparatori professionisti e utenti finali	Almeno 7 anni dopo il lancio sul mercato dell'ultimo modello
Cestelli	Riparatori professionisti e utenti finali	Almeno 7 anni dopo il lancio sul mercato dell'ultimo modello
Guarnizioni dello sportello	Riparatori professionisti e utenti finali	Almeno 10 anni dopo il lancio sul mercato dell'ultimo modello

Gentile cliente

1. Per restituire o sostituire il prodotto, rivolgersi al punto vendita presso cui è stato acquistato.

(Ricordarsi di portare la ricevuta dell'acquisto)

2. In caso il prodotto necessiti di riparazione, occorre contattare il centro di assistenza post-vendita.

● ATTENZIONE

Le informazioni sul modello contenute nel database e l'identificativo del modello possono essere ottenuti attraverso un link ed eseguendo la scansione del codice QR, se presente, riportato sull'etichetta energetica del prodotto.

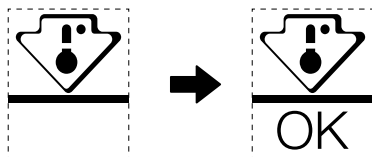
Per ulteriori informazioni sull'efficienza energetica dell'apparecchio, visitare il sito <https://ec.europa.eu> e cercare il nome del modello.

Il nome del modello è riportato sull'etichetta dati dell'apparecchio.

Zona più fredda del frigorifero

OPZIONALE: indicatore temperatura OK

- L'indicatore di temperatura OK può essere utilizzato per determinare le temperature al di sotto di +4 °C. Ridurre gradualmente la temperatura se l'indicatore non indica "OK".



- Per mantenere la temperatura di quest'area, non cambiare la posizione dello scaffale. Nei frigoriferi ad aria compressa (dotati di ventola o nei modelli No Frost), il simbolo della zona più fredda è assente, perché la temperatura interna è omogenea.

Indicatore di impostazione della temperatura

- Per configurare al meglio il frigorifero, esso è dotato di un indicatore di temperatura che controlla la temperatura media nella zona più fredda.
- **AVVERTENZA:** Questo indicatore funziona solo in questo modello, non tentare di usarlo in altri frigoriferi (nei quali la zona più fredda è diversa), né per nessun altro scopo.

Controllo della temperatura nella zona più fredda

- L'indicatore di temperatura permette di controllare con regolarità la corretta temperatura della zona più fredda. In realtà, la temperatura interna del frigo dipende da vari fattori, quali la temperatura ambientale esterna, la quantità di cibo conservata e la frequenza di apertura della porta. Tenere conto di questi fattori per configurare il dispositivo.
- Quando l'indicatore indica "OK", significa che il termostato è ben regolato e la temperatura interna è corretta.
- Se l'indicatore di temperatura diventa BIANCO, vuol dire che la temperatura è troppo alta; in tal caso, incrementare l'impostazione del controllo di temperatura del frigo e attendere 12 ore prima di controllare di nuovo l'indicatore. Dopo aver inserito cibo fresco in frigo o dopo l'apertura della porta, è possibile che l'indicatore di temperatura diventi BIANCO dopo un po' di tempo.

LETTRÉ DE REMERCIEMENT

Nous vous remercions d'avoir choisi Midea ! Avant d'utiliser votre nouvel appareil Midea, veuillez lire attentivement ce manuel afin de vous assurer que vous savez comment utiliser les fonctionnalités et les fonctions offertes par cet appareil en toute sécurité.

TABLE DES MATIÈRES

LETTRÉ DE REMERCIEMENT	01
SPÉCIFICATIONS	02
PRÉSENTATION DU PRODUIT	03
INSTALLATION DU PRODUIT	04
GUIDE D'UTILISATION	11
NETTOYAGE ET ENTRETIEN	15
DÉPANNAGE	16
ANNEXE	18

SPÉCIFICATIONS

Modèle du produit	MDRT489MTE
Tension/Fréquence nominale	220-240 V-/50 Hz
Courant nominal	0,7 A
Volume total	338 L
Volume du compartiment de stockage des aliments frais	254 L
Volume du compartiment quatre étoiles	84 L
Capacité de congélation	3,9 kg/24 h
Temps de montée en température	10 h
Dimensions générales (L x P x H)	595 x 695 x 1724 mm

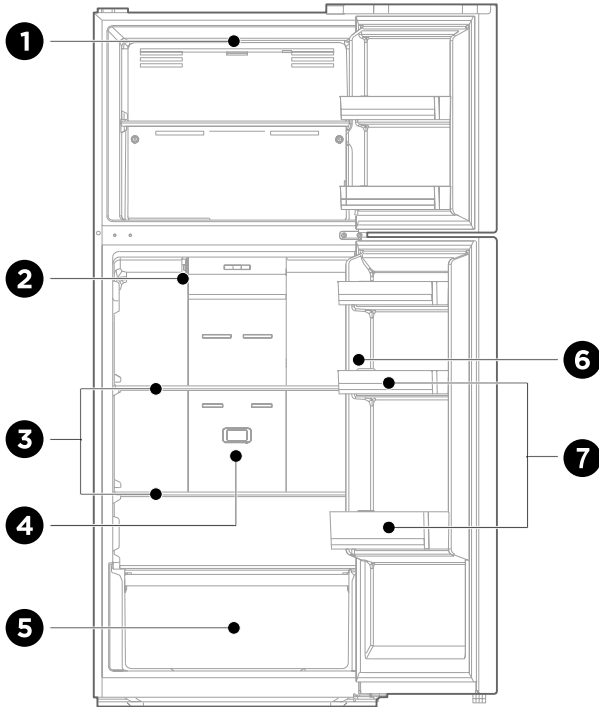
Modèle du produit	MDRT580MTE
Tension/Fréquence nominale	220-240 V-/50 Hz
Courant nominal	1,5 A
Volume total	413 L
Volume du compartiment de stockage des aliments frais	306 L
Volume du compartiment quatre étoiles	107 L
Capacité de congélation	5kg/24 h
Temps de montée en température	10 h
Dimensions générales (L x P x H)	700 x 670 x 1723 mm

Modèle du produit	MDRT645MTE
Tension/Fréquence nominale	220-240 V-/50 Hz
Courant nominal	1,2 A
Volume total	463 L
Volume du compartiment de stockage des aliments frais	356L
Volume du compartiment quatre étoiles	107 L
Capacité de congélation	5kg/24 h
Temps de montée en température	10 h
Dimensions générales (L x P x H)	700 x 691 x 1880 mm

FR

PRÉSENTATION DU PRODUIT

Noms des composants



- | | | | |
|---|--------------------------------|---|----------------------------|
| 1 | Témoin | 5 | Bac à fruits et légumes |
| 2 | Coulisseau de réglage du volet | 6 | Contrôle de la température |
| 3 | Étagère | 7 | Plateau de porte |
| 4 | Désodorisant | | |

ATTENTION

L'image ci-dessus est donnée uniquement à titre de référence. La configuration réelle dépendra du produit physique ou de la déclaration du distributeur

INSTALLATION DU PRODUIT

Instructions d'installation

Pour les appareils frigorifiques de classe climatique

- En fonction de la classe climatique, cet appareil de réfrigération est destiné à être utilisé dans les plages de température ambiante indiquées dans le tableau suivant.
- La classe climatique se trouve sur la plaque signalétique. Le produit peut ne pas fonctionner correctement à des températures hors de la plage indiquée.
- Vous pouvez trouver la classe climatique sur l'étiquette du produit.

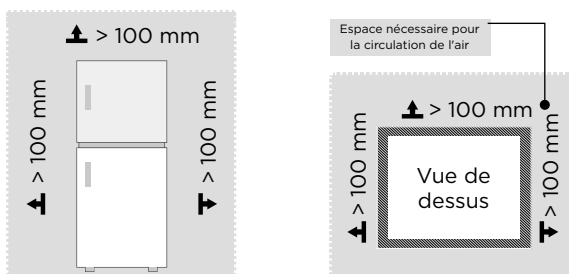
Plage de température efficace

- Ce produit est conçu pour fonctionner normalement dans la plage de température indiquée par sa qualification de classe.

Classe	Symbole	Plage de température de fonctionnement en °C	
		CEI 62552 (ISO 15502)	ISO 8561
Tempéré étendu	SN	+10 à +32	+10 à +32
Tempéré	N	+16 à +32	+16 à +32
Subtropical	ST	+16 à +38	+18 à +38
Tropical	T	+16 à +43	+18 à +43

Dimensions et dégagements

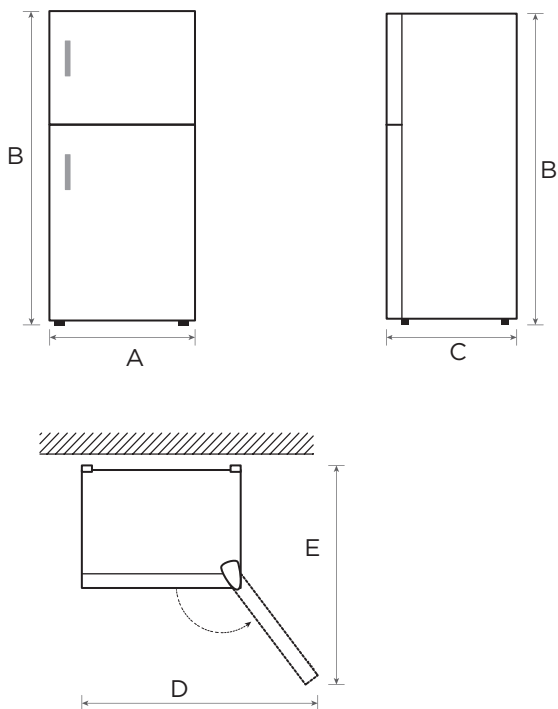
- Une distance trop petite des éléments adjacents peut entraîner une dégradation de la capacité de congélation et une augmentation des coûts d'électricité. Laissez plus de 100 mm de dégagement à partir de chaque mur adjacent lors de l'installation de l'appareil.



ATTENTION

L'image ci-dessus est donnée uniquement à titre de référence. La configuration réelle dépendra du produit physique ou de la déclaration du distributeur

Diagramme d'encombrement (porte ouverte et fermée)



FR


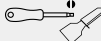
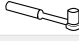

Modèle du produit	Largeur	Hauteur totale	Profondeur	Largeur portes ouvertes 135°	Profondeur portes ouvertes 135°
	A	B	C	D	E
MDRT489MTE	595	1724	695	997	1137

Modèle du produit	Largeur	Hauteur totale	Profondeur	Largeur portes ouvertes 125°	Profondeur portes ouvertes 125°
	A	B	C	D	E
MDRT580MTE	700	1723	670	1085	1252
MDRT645MTE	700	1880	691	1085	1252

Remarque : Toutes les dimensions sont en mm

Inverser l'ouverture de la porte

Liste des outils à fournir par l'utilisateur

	Clé Allen-Tournevis cruciforme
	Tournevis à lame mince pour couteau à mastic
	Clé à douille 5/16''
	Bande de masquage

Pièces à utiliser pour inverser la porte

SN	Pièces	Quantité
1	Charnière supérieure droite	1
2	Couvercle de la charnière supérieure droite	1
3	Manchon de l'axe de la charnière supérieure	1
4	Vis de la charnière supérieure	3
5	Cache-trou	1
6	Vis de la charnière centrale	2
7	Charnière centrale	1
8	Capuchon de trou	2
9	Vis de la poutre centrale	1
10	Capuchon de vis de la poutre centrale	1
11	Pied réglable	1
12	Vis de la charnière inférieure	3
13	Ensemble charnière inférieure	1
14	Vis du couvercle de l'extrémité inférieure de la porte de congélation	1
15	Vis inférieure du couvercle de l'arrêt de la porte de congélation	1
16	Vis inférieure du couvercle de l'extrémité inférieure de la porte de congélation	1
17	Couvercle de l'extrémité inférieure de l'arrêt de la porte du réfrigérateur	1
18	Couvercle d'extrémité supérieure du manchon d'axe de la porte du réfrigérateur	1
19	Support inférieur de la porte de réfrigération	1
20	ensemble d'accessoires	4
21	Autoverrouillage de la porte droite	1

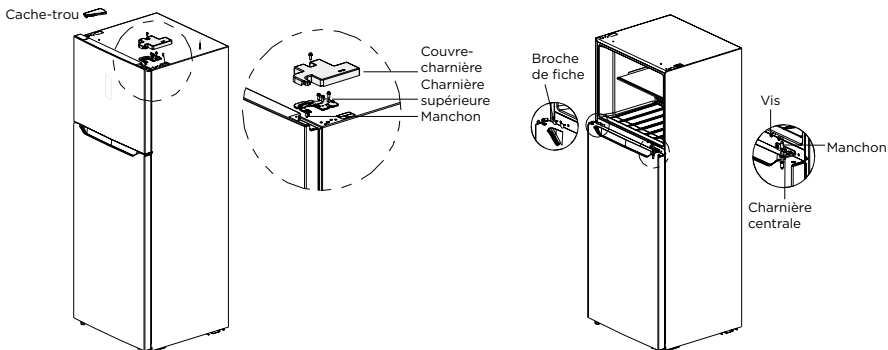
Remarques :

1-19/Préinstallés sur le réfrigérateur et à utiliser lorsque la porte est inversée

20/Charnière supérieure gauche, couvercle de charnière supérieure gauche, autoverrouillage de la porte gauche, couvercle décoratif gauche

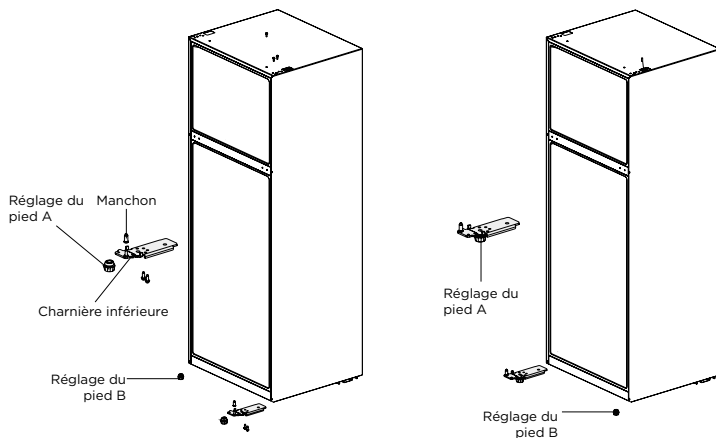
21/Pré-installé sur le réfrigérateur, retiré et conservé lors du changement de porte

1. Veuillez éteindre l'appareil avant d'effectuer cette opération.
2. Retirez le couvercle de la charnière et la vis sur le côté supérieur droit de la boîte, ainsi que la charnière supérieure et le couvercle du trou sur le côté gauche.

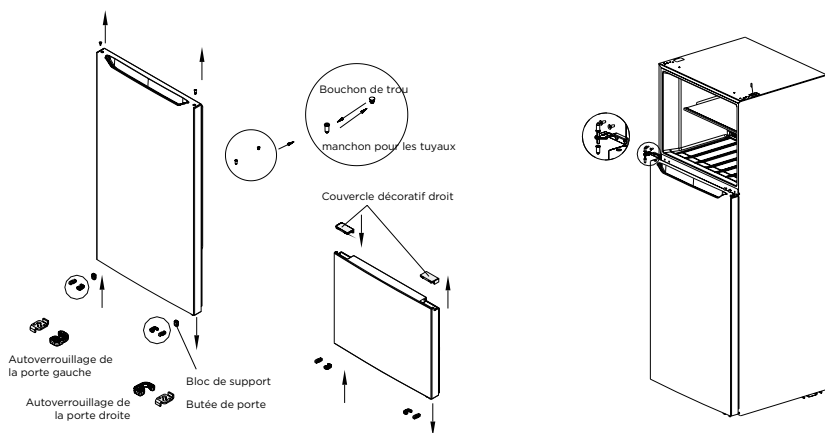


FR

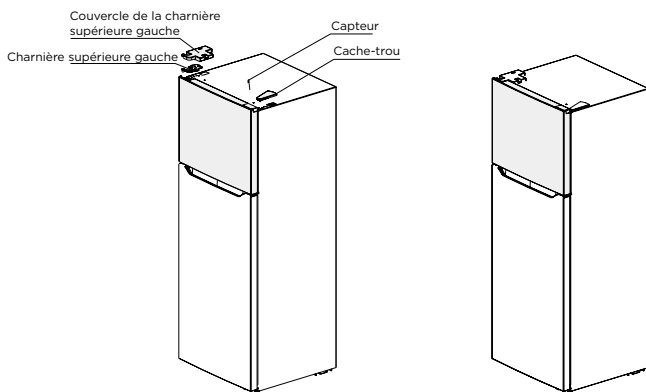
3. Dévissez la vis de charnière, retirez la charnière du milieu et le manchon supérieur de l'arbre, quittez les deux couvercles de trou de charnière (goupilles de bouchon) sur la charnière centrale et retirez le corps de la porte de la chambre du réfrigérateur vers le haut.
4. Installez l'arbre de la charnière et le manchon de l'arbre dans le trou gauche de la charnière inférieure, puis la charnière inférieure dans le coin gauche du réfrigérateur, puis ajustez le pied A en fonction de la position indiquée sur la figure et enfin le pied de réglage B dans le coin inférieur droit du réfrigérateur.



5. Démontez la butée de porte des deux corps de porte et les vis de verrouillage automatique de la porte droite, puis retirez l'autoverrouillage de la porte gauche du sac d'accessoires et installez-le dans le coin gauche de la carrosserie de la porte avec la butée de porte; retirez le bloc de support inférieur du corps de porte de la chambre de réfrigération et installez-le dans le coin inférieur gauche. Enfin, retirez le bouchon de trou et le manchon de l'arbre pour la porte de la chambre de réfrigération et ajustez leurs positions, puis installez-les dans le corps de la porte. Retirez le couvercle décoratif droit sur la porte de la chambre de réfrigération, retirez le couvercle décoratif gauche du sac d'accessoires et installez-le.



6. Installez la porte de la chambre du réfrigérateur sur la charnière inférieure, la charnière centrale sur le côté gauche du réfrigérateur ; serrez les vis et placez bien le manchon de l'arbre. Installez la goupille de prise dans le trou de la poutre centrale à l'autre extrémité.
7. Installez la porte du congélateur sur la charnière centrale, retirez la charnière supérieure gauche et le couvercle de la charnière supérieure gauche du sac d'accessoires, installez la charnière gauche et serrez les vis, installez le couvercle de la charnière supérieure gauche et serrez la vis, installez le capteur droit dans le couvercle du trou gauche d'origine, puis fixez le couvercle du trou sur la boîte de droite.
8. Une fois l'installation terminée.



● ATTENTION

L'image ci-dessus est donnée uniquement à titre de référence. La configuration réelle dépendra du produit physique ou de la déclaration du distributeur



Pieds réglables

L'appareil doit être à niveau pour éviter toute vibration.

Il faut tenir compte de l'uniformité du sol dans la mise à niveau.

L'avant de la porte doit être légèrement plus haut que l'arrière pour faciliter sa fermeture.

Les vis de mise à niveau peuvent être facilement tournées en inclinant légèrement l'appareil.

Tournez les vis de mise à niveau dans le sens antihoraire  pour soulever l'appareil, dans le sens horaire  pour l'abaisser.

Déplacement de l'appareil

1. Retirez tous les aliments de l'appareil.
2. Débranchez la fiche d'alimentation, et fixez-là au crochet de prise située à l'arrière ou la placer au-dessus de l'appareil.
3. Collez les pièces telles que les étagères et poignée de porte pour éviter qu'elles ne tombent lors du déplacement de l'appareil.
4. Avec précaution, déplacez l'appareil à l'aide de deux personnes au moins. Lors du transport sur une longue distance, l'appareil doit être maintenu en position verticale.
5. Après l'installation de l'appareil, branchez sa fiche dans une prise de courant pour l'allumer.

ATTENTION

Précautions avant l'utilisation :

Avant d'effectuer tout changement, vous devez débrancher le réfrigérateur de l'alimentation. Des précautions doivent être prises pour éviter toute blessure.

Changement de l'ampoule

- Tout remplacement ou entretien des lampes LED doit être effectué par le fabricant, un agent agréé ou une personne qualifiée similaire.

ATTENTION

MDRT489MTE comprend une lumière d'efficacité énergétique de classe (F).

MDRT580MTE/MDRT645MTE contient deux sources lumineuses de classe d'efficacité énergétique (F).

Branchement de l'appareil

Après l'installation de l'appareil, branchez la fiche d'alimentation dans une prise de courant.

ATTENTION

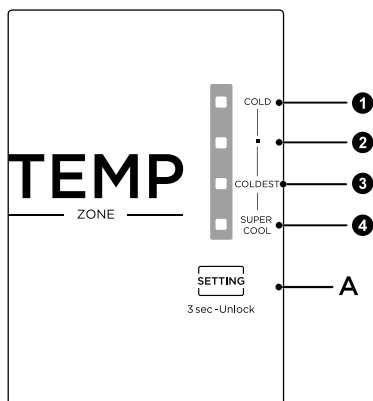
Après avoir branché la fiche d'alimentation dans une prise, il faut attendre 2 à 3 heures avant de mettre des aliments dans l'appareil. Les aliments risquent de s'abîmer si vous les mettez avant le refroidissement de l'appareil.

Conseils pour l'économie d'énergie

- L'appareil ne doit pas être placé à côté de cuisinières, radiateurs ou toute autre source de chaleur. Si la température ambiante est élevée, le compresseur fonctionne plus fréquemment et plus longtemps, ce qui entraîne une augmentation de la consommation d'énergie.
- Assurez-vous qu'il y a une ventilation suffisante au niveau de la base, sur les côtés et à l'arrière de l'appareil. Il ne faut jamais couvrir les fentes de ventilation.
- Il faut également respecter les dégagements du chapitre « Installation ».
- La disposition des bacs, étagères et balconnets de porte comme indiqué sur l'illustration offre une utilisation plus efficace de l'énergie et doit donc être conservée autant que possible. Tous les bacs et étagères doivent rester dans l'appareil pour maintenir une température stable et économiser de l'énergie.
- Pour obtenir un plus grand espace de stockage (par exemple pour les gros produits réfrigérés/congelés), les bacs du milieu peuvent être retirés. Les bacs supérieurs et inférieurs et les étagères doivent être retirés en dernier si nécessaire.
- Un compartiment réfrigérateur/congélateur rempli uniformément contribue à une utilisation optimale de l'énergie. Ainsi, il faut éviter les compartiments vides ou à moitié vides.
- Laissez refroidir les aliments chauds avant de les mettre dans le réfrigérateur/congélateur. Les aliments déjà augmentent l'efficacité énergétique.
- Les aliments congelés doivent être décongelés dans le réfrigérateur. La froideur des aliments congelés réduit la consommation d'énergie dans le réfrigérateur et augmente ainsi l'efficacité énergétique.
- Ouvrez la porte aussi brièvement que nécessaire pour minimiser toute perte de froid. L'ouverture/fermeture de la porte brièvement réduit la consommation d'énergie.
- Les joints de porte de l'appareil doivent être parfaitement intacts pour faciliter la fermeture des portes et éviter que la consommation d'énergie ne soit pas augmentée inutilement.

GUIDE D'UTILISATION

Panneau de commande



FR

Touche

- Réglage 1 (COLD)
- Réglage 2 (MID)
- Réglage 3 (COLDEST)
- Réglage 4 (SUPER COOL)
- Réglage A (bouton de réglage de la température du compartiment réfrigérateur)

ATTENTION

Le panneau de commande réel peut être différent d'un modèle à l'autre.

Écran

- lorsque vous électrifiez le réfrigérateur pour la première fois, l'affichage s'allume complètement pendant 3 secondes, puis le réfrigérateur fonctionne au réglage 3. En cas de panne, le voyant LED correspondant clignote. Autrement, il indique le réglage de température du réfrigérateur.

Code d'erreur	Description du défaut
Indicateur de réglage 3 et réglage 4	Défaillance de la sonde de température de la chambre de réfrigération
Indicateur de réglage 2 et réglage 4	Défaillance du capteur de dégivrage de la chambre de congélation
Indicateur de réglage 1 et réglage 4	Défaillance de la sonde de température ambiante

Réglage de la température

- Chaque fois que vous appuyez sur le bouton de réglage de la température (A), le réglage de la température change une fois. Lorsque le réglage de la température est terminé, le réfrigérateur fonctionnera selon le réglage après 15 secondes.
- Le réglage change selon cet ordre :

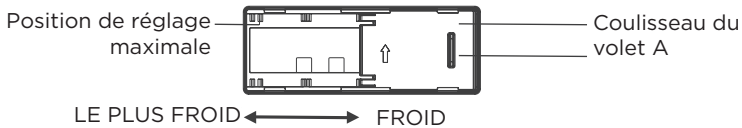


Verrouiller/Déverrouiller

- Appuyez longuement sur la touche TEMP pendant 3 secondes pour déverrouiller et 30 secondes pour verrouiller automatiquement sans opération.

Coulisseau de réglage du volet

- La température à l'intérieur du congélateur peut être réglée en modifiant la position du curseur. La position initiale du curseur est la position A. Si vous souhaitez réduire la température à l'intérieur du congélateur, vous pouvez déplacer le curseur de la position A vers la gauche.
- Pour une meilleure utilisation du réfrigérateur, il est recommandé de maintenir le coulisseau du volet en position initiale.



Arrêt de fonctionnement

- **Panne de courant** : En cas de panne de courant, même en été, les aliments à l'intérieur de l'appareil peuvent être conservés plusieurs heures ; pendant la panne de courant, les heures d'ouverture de la porte doivent être réduites et aucun aliment frais ne doit plus être mis dans l'appareil.
- **Longue période de non-utilisation** : L'appareil doit être débranché et nettoyé ; laissez es portes ouvertes pour éviter les odeurs.

Conseils pour la conservation des aliments

Compartiment du congélateur

- Le congélateur est destiné au stockage d'aliments à long terme congelés à très basse température, et à la production de glace.
- N'utilisez les balconnets de porte du congélateur que pour stocker des aliments congelés, et non pour des aliments chauds destinés à être congelés.
- Ne mettez pas les aliments frais et congelés les uns à côté des autres. Les aliments congelés peuvent fondre.
- Lorsque vous congelez des aliments frais (viande, poisson ou viande hachée), il faut les couper en morceaux pouvant être utilisés en même temps.
- Conservation des aliments congelés : des instructions sont généralement indiquées sur les emballages, qui doivent être respectées. S'il n'y a aucune information sur l'emballage, les aliments ne doivent pas être conservés plus de trois mois à compter de la date d'achat.
- Lors de l'achat d'aliments congelés, il faut s'assurer qu'ils ont été congelés à une température appropriée et que l'emballage n'est pas endommagé.
- Les aliments congelés doivent être conservés dans des emballages appropriés pour en conserver la qualité et doivent être remis dans le compartiment congélateur dès que possible.
- Si un emballage d'aliments congelés présente de l'humidité ou un renflement anormal, il est probable qu'il ait été conservé à la mauvaise température et que le contenu soit abîmé.
- La durée de conservation des aliments congelés dépend de la température ambiante, du réglage du thermostat, de la fréquence d'ouverture de la porte du congélateur, du type d'aliment et du temps de transport du magasin jusqu'à chez vous. Suivez toujours les instructions de l'emballage et ne dépassez jamais la durée de stockage maximale indiquée.

Compartiment de refroidissement

- Pour réduire l'humidité et l'accumulation de glace qui en résulte, ne mettez jamais de liquide dans le réfrigérateur dans des récipients non fermés hermétiquement. La gelée a tendance à se concentrer dans les parties les plus froides de l'évaporateur. Le stockage de liquides non couverts entraîne une décongélation plus fréquente.
- Ne mettez jamais d'aliments chauds dans le réfrigérateur. Ceux-ci doivent d'abord être refroidis à température ambiante, puis placés de manière à assurer une circulation d'air adéquate dans le réfrigérateur.
- Les aliments et les récipients ne doivent pas toucher la paroi arrière du réfrigérateur, car ils pourraient geler. Il ne faut pas ouvrir régulièrement la porte du réfrigérateur.
- La viande et le poisson écaillé (placés dans un emballage ou une feuille de plastique) placés au réfrigérateur peuvent être utilisés dans 1 ou 2 jours.
- Les fruits et légumes sans emballage peuvent être placés dans la partie réservée aux fruits et légumes frais.

ATTENTION

Le réglage optimal de la température de chaque compartiment dépend de la température ambiante. La température optimale ci-dessus est basée sur une température ambiante de 25°C.

Ordre	Type de compartiment	Temp. de stockage cible [°C]	Aliments appropriés
1	Frigo	+2 - +8	Œufs, aliments cuits, aliments emballés, fruits et légumes, produits laitiers, gâteaux, boissons et autres aliments ne conviennent pas à la congélation.
2	(***)*-Congélateur	≤-18	Fruits de mer (poissons, crevettes, crustacés), produits aquatiques d'eau douce et produits à base de viande (recommandés pendant 3 mois, plus le temps de stockage est long, plus le goût devient mauvais), adaptés aux aliments frais congelés.
3	***-Congélateur	≤-18	Fruits de mer (poissons, crevettes, crustacés), produits aquatiques d'eau douce et produits à base de viande (recommandés pendant 3 mois, plus le temps de stockage est long, plus le goût devient mauvais), adaptés aux aliments frais congelés.
4	** -Congélateur	≤-12	Fruits de mer (poissons, crevettes, crustacés), produits aquatiques d'eau douce et produits à base de viande (recommandés pendant 3 mois, plus le temps de stockage est long, plus le goût devient mauvais), adaptés aux aliments frais congelés.
5	*-Congélateur	≤-6	Fruits de mer (poissons, crevettes, crustacés), produits aquatiques d'eau douce et produits à base de viande (recommandés pendant 3 mois, plus le temps de stockage est long, plus le goût devient mauvais), adaptés aux aliments frais congelés.
6	0 étoile	-6 - 0	Porc frais, bœuf, poisson, poulet, certains aliments transformés emballés, etc. (recommandés de manger dans la même journée, de préférence pas plus de 3 jours). Aliments transformés partiellement emballés (aliments non congelables).
7	Froid	-2 - +3	Porc frais/congelé, bœuf, poulet, produits aquatiques d'eau douce, etc. (7 jours en dessous de 0°C et au-dessus de 0°C recommandés pour une consommation dans la journée, de préférence pas plus de 2 jours). Fruits de mer (moins de 0 pour 15 jours), il est déconseillé de conserver au-dessus de 0°C.
8	Aliments frais	0 - +4	Porc frais, bœuf, poisson, poulet, plats cuisinés, etc. (recommandés de manger dans la même journée, de préférence pas plus de 3 jours)
9	Vin	+5 -+20	Vin rouge, vin blanc, vin mousseux, etc.

ATTENTION

Il faut stocker différents aliments en fonction des compartiments ou de la température cible.

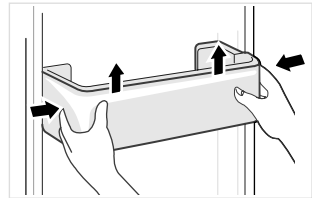
NETTOYAGE ET ENTRETIEN

Décongélation

- Le réfrigérateur est fabriqué selon le principe de refroidissement par air et dispose donc d'une fonction de dégivrage automatique. Le givre formé en raison du changement de saison ou de température peut également être éliminé manuellement en débranchant l'appareil ou en l'essuyant avec une serviette sèche.

Nettoyage du plateau de porte

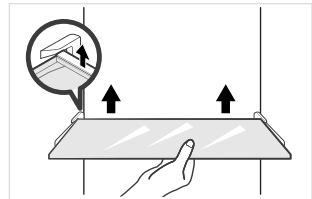
- Selon la flèche de direction dans la figure ci-dessous, utilisez les deux mains pour presser le plateau et poussez-le vers le haut pour pouvoir le sortir par la suite.
- Après avoir lavé le plateau retiré, vous pouvez ajuster sa hauteur en fonction de vos besoins.



FR

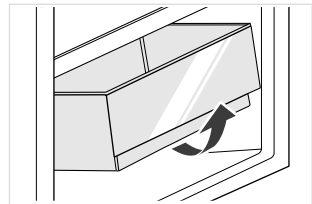
Nettoyage de l'étagère en verre

- Comme la partie la plus interne de la cuve du réfrigérateur, où se trouvent les étagères, est dotée d'une butée arrière, vous devez soulever les étagères vers le haut pour pouvoir les retirer.
- Ajustez ou nettoyez les étagères en fonction de vos besoins.



Nettoyage du bac à légumes

- Retirez le contenu du bac. Tenez la poignée du bac à légumes et tirez complètement jusqu'à ce qu'il s'arrête.
- Soulevez le bac à légumes et retirez-le en le tirant vers l'extérieur.



● ATTENTION

Pour le nettoyage, nous recommandons des serviettes douces ou une éponge trempée dans de l'eau et des détergents neutres non corrosifs. Le congélateur doit être finalement nettoyé à l'eau claire et avec un chiffon sec. Ouvrez la porte pour un séchage naturel avant de mettre l'appareil sous tension. N'utilisez pas de brosses dures, de billes de nettoyage en acier, de brosses métalliques, d'abrasifs tels que le dentifrice, de solvants organiques (tels que l'alcool, l'acétone, l'huile de banane, etc.), de l'eau bouillante, des produits acides ou alcalins ; nettoyez le congélateur en sachant que cela peut endommager la surface et l'intérieur du congélateur.

DÉPANNAGE

Les problèmes simples suivants peuvent être traités par l'utilisateur. Appelez le service après-vente si ces problèmes ne sont pas réglés.

Problème	Cause possible
Échec de l'opération	• Vérifiez si l'appareil est branché au secteur ou si la fiche est bien en contact
	• Vérifiez si la tension est trop basse
	• Vérifiez s'il y a une panne de courant ou des circuits partiels se sont déclenchés
Odeur	• Les aliments susceptibles d'émettre des odeurs doivent être bien enveloppés
	• Vérifiez s'il y a des aliments pourris
	• Nettoyez l'intérieur du réfrigérateur
Compresseur fonctionnant pendant une longue période	• Un long fonctionnement du réfrigérateur est normal en été
	• Lorsque la température ambiante est élevée, il n'est pas recommandé d'avoir trop d'aliments dans l'appareil en même temps
	• Les aliments doivent refroidir avant d'être mis dans l'appareil
	• Les portes sont ouvertes trop fréquemment
La lumière ne s'allume pas	• Vérifiez si le réfrigérateur est branché à l'alimentation électrique et si la lumière est endommagée
	• Faites remplacer la lumière par un professionnel
La porte du réfrigérateur ne peut pas être correctement fermée.	• La porte est coincée par des aliments, car trop d'aliments y sont placés
	• Le réfrigérateur est incliné.
Bruits forts	• Vérifiez si le sol est bien horizontal et si le réfrigérateur est placé de manière stable
	• Vérifiez si les accessoires sont placés aux bons endroits

Problème	Cause possible
Le joint de la porte n'est pas serré.	<ul style="list-style-type: none"> • Éliminez tout corps étranger sur le joint de la porte • Chauffez le joint de la porte, puis refroidissez-le pour le restaurer (ou soufflez dessus avec un séchoir électrique ou utilisez une serviette chaude)
Débordement du bac à eau	<ul style="list-style-type: none"> • Il y a trop d'aliments dans la chambre où les aliments stockés contiennent trop d'eau, cela entraîne un fort dégivrage • Les portes ne sont pas fermées correctement, cela entraîne un dégivrage dû à l'entrée d'air et une augmentation d'eau
Boîtier chaud	<ul style="list-style-type: none"> • La dissipation de la chaleur du condenseur intégré via le boîtier est normale. Lorsque le boîtier devient chaud en raison d'une température ambiante élevée, du stockage d'une trop grande quantité d'aliments ou de l'arrêt du compresseur, il faut prévoir une bonne ventilation pour faciliter la dissipation de la chaleur.
Condensation de surface	<ul style="list-style-type: none"> • La condensation sur la surface extérieure et les joints de porte du réfrigérateur est normale lorsque l'humidité ambiante est trop élevée. Il suffit d'essuyer la condensation avec une serviette propre.

ANNEXE

Spécial pour les nouvelles normes européennes

Les pièces commandées dans le tableau suivant peuvent être acquises auprès d'un canal de fournisseur de services.

Pièce commandée	Fourni par	Temps minimum requis pour la fourniture
Thermostats	Personnel professionnel de maintenance	Au moins 7 ans après le lancement du dernier modèle sur le marché
Capteurs de température	Personnel professionnel de maintenance	Au moins 7 ans après le lancement du dernier modèle sur le marché
Cartes de circuit imprimé	Personnel professionnel de maintenance	Au moins 7 ans après le lancement du dernier modèle sur le marché
Sources de lumière	Personnel professionnel de maintenance	Au moins 7 ans après le lancement du dernier modèle sur le marché
Poignées de porte	Réparateurs professionnels et utilisateurs	Au moins 7 ans après le lancement du dernier modèle sur le marché
Charnières de porte	Réparateurs professionnels et utilisateurs	Au moins 7 ans après le lancement du dernier modèle sur le marché
Tiroirs	Réparateurs professionnels et utilisateurs	Au moins 7 ans après le lancement du dernier modèle sur le marché
Paniers	Réparateurs professionnels et utilisateurs	Au moins 7 ans après le lancement du dernier modèle sur le marché
Joints d'étanchéité de la porte	Réparateurs professionnels et utilisateurs	Au moins 10 ans après le lancement du dernier modèle sur le marché

Chère cliente

1. Pour retourner ou remplacer le produit, il faut d'abord contacter le magasin où vous l'avez acheté.

(N'oubliez pas de joindre la facture d'achat)

2. Si votre produit tombe en panne et doit être réparé, il faut contacter le service après-vente.

ATTENTION

Les informations sur le modèle dans la base de données des produits, ainsi que l'identificateur du modèle, peuvent être obtenues au moyen d'un lien web scanné par code QR, le cas échéant, sur l'étiquette d'efficacité énergétique du produit.

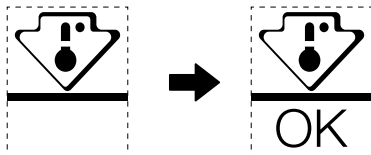
Pour plus d'informations sur l'efficacité énergétique de l'appareil, rendez-vous sur <https://ec.europa.eu> et recherchez par le nom du modèle.

Le nom du modèle se trouve sur la plaque signalétique de l'appareil.

Zone la plus froide du réfrigérateur

EN OPTION : OK-indicateur de température

- L'indicateur de température OK peut être utilisé pour déterminer des températures inférieures à +4 °C. Réduisez progressivement la température si le signe n'indique pas « OK ».



- Pour garantir la température dans cette zone, ne changez pas l'emplacement de l'étagère. Dans les réfrigérateurs à air forcé (équipés d'un ventilateur ou modèles Pas de gel), le symbole de la zone la plus froide n'est pas représenté, car la température à l'intérieur est homogène.

FR

Réglage de l'indicateur de température

- Pour vous aider à bien régler votre réfrigérateur, celui-ci est équipé d'un indicateur de température qui surveille la température moyenne dans la zone la plus froide.
- AVERTISSEMENT : cet indicateur ne fonctionne qu'avec votre réfrigérateur, ne l'utilisez pas dans un autre réfrigérateur (en effet, la zone la plus froide n'est pas la même), ou pour autre chose.

Vérification de la température dans la zone la plus froide

- Grâce à l'indicateur de température, vous pouvez vérifier régulièrement que la température de la zone la plus froide est correcte. En effet, la température interne du réfrigérateur dépend de plusieurs facteurs tels que la température ambiante de la pièce, la quantité d'aliments stockés et la fréquence d'ouverture des portes. Il faut tenir compte de ces facteurs lors du réglage du réfrigérateur.
- Lorsque l'indicateur affiche « OK », cela signifie que le thermostat est bien réglé et que la température intérieure est correcte.
- Si l'indicateur de température devient BLANC, cela signifie que la température est trop élevée, dans ce cas, augmentez le réglage de la température et patientez 12 heures avant d'effectuer une nouvelle inspection visuelle de l'indicateur. Lorsque des aliments frais ont été introduits ou que la porte a été laissée ouverte, il est possible que l'indicateur de température devienne BLANC au bout d'un certain temps.

CARTA DE AGRADECIMIENTO

¡Gracias por elegir Midea! Antes de usar su nuevo producto Midea, lea detenidamente este manual para asegurarse de que sabe cómo operar las características y funciones que su nuevo aparato ofrece de forma segura.

CONTENIDO

CARTA DE AGRADECIMIENTO	01
ESPECIFICACIONES	02
VISTA GENERAL DEL PRODUCTO	03
INSTALACIÓN DEL PRODUCTO	04
INSTRUCCIONES DE FUNCIONAMIENTO	11
LIMPIEZA Y MANTENIMIENTO	15
RESOLUCIÓN DE PROBLEMAS	16
APÉNDICE	18

ES

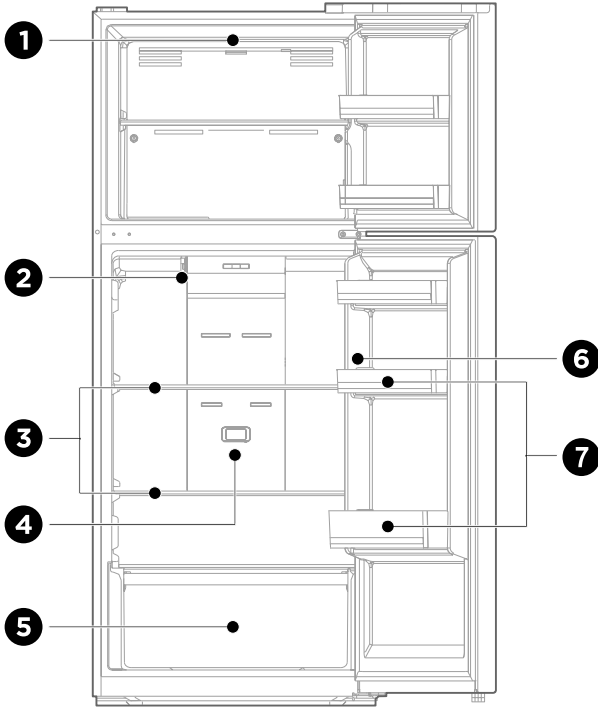
ESPECIFICACIONES

Modelo del producto	MDRT489MTE
Tensión nominal/Frecuencia	220-240 V-/50 Hz
Corriente nominal	0,7 A
Volumen total	338 L
Volumen del compartimento de almacenamiento de alimentos frescos	254 L
Volumen de compartimento de cuatro estrellas	84 L
Capacidad de congelación	3,9 kg/24 h
Tiempo de aumento de temperatura	10 h
Dimensiones totales (An. x Pr. x Al.)	595 x 695 x 1724 mm
Modelo del producto	MDRT580MTE
Tensión nominal/Frecuencia	220-240 V-/50 Hz
Corriente nominal	1,5 A
Volumen total	413 L
Volumen del compartimento de almacenamiento de alimentos frescos	306 L
Volumen de compartimento de cuatro estrellas	107 L
Capacidad de congelación	5 kg/24 h
Tiempo de aumento de temperatura	10 h
Dimensiones totales (An. x Pr. x Al.)	700 x 670 x 1723 mm
Modelo del producto	MDRT645MTE
Tensión nominal/Frecuencia	220-240 V-/50 Hz
Corriente nominal	1,2 A
Volumen total	463 L
Volumen del compartimento de almacenamiento de alimentos frescos	356 L
Volumen de compartimento de cuatro estrellas	107 L
Capacidad de congelación	5 kg/24 h
Tiempo de aumento de temperatura	10 h
Dimensiones totales (An. x Pr. x Al.)	700 x 691 x 1880 mm

ES

VISTA GENERAL DEL PRODUCTO

Nombres de los componentes



- | | | | |
|---|--|---|----------------------------------|
| 1 | Luz LED | 5 | Receptáculo de frutas y verduras |
| 2 | Control deslizante de ajuste de la humedad | 6 | Control de temperatura |
| 3 | Estantería | 7 | Bandeja de la puerta |
| 4 | Desodorante | | |

● ATENCIÓN

La imagen que aparece arriba tiene solo una finalidad de referencia. La configuración real dependerá del producto físico o declaración por parte del distribuidor.

INSTALACIÓN DEL PRODUCTO

Instrucciones de instalación

Para aparatos frigoríficos con clase climática

- Dependiendo de la clase climática, este aparato de refrigeración está diseñado para usarse dentro de los rangos de temperaturas ambiente especificados en la siguiente tabla.
- La clase climática se puede encontrar en la placa de características. El producto podría no funcionar adecuadamente a temperaturas que no estén comprendidas en el rango especificado.
- Puede encontrar la clase de clima en la etiqueta del producto.

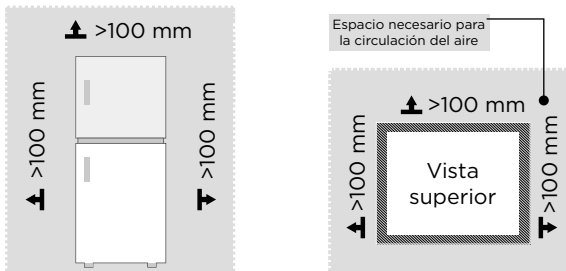
Rango de temperatura efectiva

- La nevera está diseñada para funcionar con normalidad dentro del rango de temperaturas especificado en su clasificación.

Clase	Símbolo	Rango de la temperatura ambiente °C	
		IEC 62552 (ISO 15502)	ISO 8561
Templado prolongado	SN	+ 10 hasta + 32	+ 10 hasta + 32
Templado	N	+ 16 hasta + 32	+ 16 hasta + 32
Subtropical	ST	+ 16 hasta + 38	+ 18 hasta + 38
Tropical	T	+ 16 hasta + 43	+ 18 hasta + 43

Dimensiones y distancias

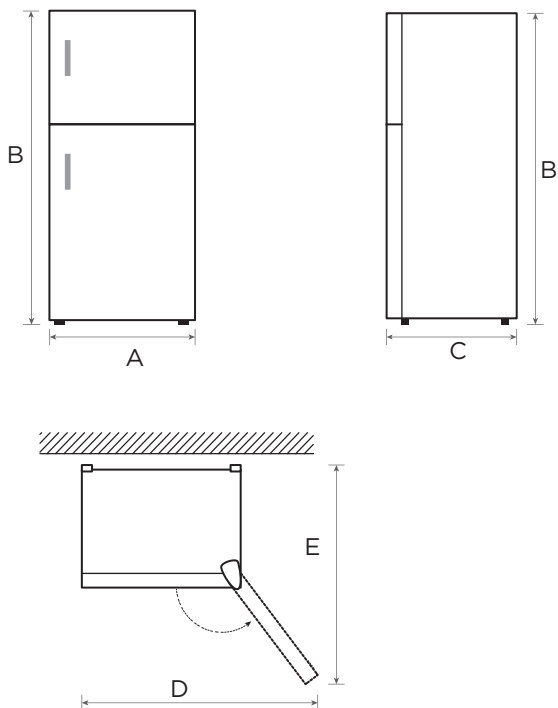
- Si es demasiado pequeño de una distancia desde elementos adyacentes se puede provocar la degradación de la capacidad de congelación y aumentar los costes de electricidad. Deje más de 100 mm de espacio libre desde cada pared adyacente cuando instale el aparato.



⚠ ATENCIÓN

La imagen que aparece arriba tiene solo una finalidad de referencia. La configuración real dependerá del producto físico o declaración por parte del distribuidor.

Diagrama de requerimientos de espacio (cuando la puerta esté abierta y cuando la puerta esté cerrada)




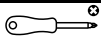
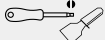



ES

Modelo del producto	Anchura	Altura general	Fondo	Ancho de apertura de las puertas 135°	Profundidad de apertura de las puertas 135°
	A	B	C	D	E
MDRT489MTE	595	1724	695	997	1137
Modelo del producto	Anchura	Altura general	Fondo	Ancho de apertura de las puertas 125°	Profundidad de apertura de las puertas 125°
	A	B	C	D	E
MDRT580MTE	700	1723	670	1085	1252
MDRT645MTE	700	1880	691	1085	1252

Aviso: Todas las dimensiones son en milímetros

Cambio de puerta derecha - izquierda

Lista de herramientas que debe proporcionar el usuario

		Llave Allen-Destornillador tipo estrella
		Destornillador de cuchilla fina de cabeza plana
		Llave de vaso de 5/16"
		Cinta de pintor

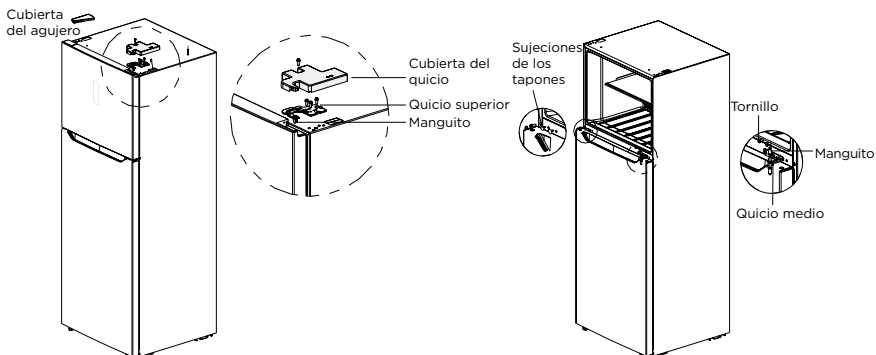
Piezas a usar para dar la vuelta a la puerta

SN	Piezas	Cantidad
1	Quicio superior derecho	1
2	Cubierta del quicio superior derecho	1
3	Manguito del eje del quicio superior	1
4	Tornillo del quicio superior	3
5	Cubierta del agujero	1
6	Tornillo del quicio medio	2
7	Quicio medio	1
8	Tapón del agujero	2
9	Tornillos de la viga media	1
10	Tapón del tornillo de la viga media	1
11	Pie ajustable	1
12	Tornillo del quicio inferior	3
13	Conjunto del quicio más bajo	1
14	Tornillo de la cubierta del extremo inferior de la puerta de congelación	1
15	Bloque limitador del extremo de la cubierta inferior de la puerta de congelación	1
16	Tornillo de la cubierta del extremo inferior de la puerta del frigorífico	1
17	Cubierta del extremo inferior del bloque limitador de la puerta del frigorífico	1
18	Manguito del eje de la cubierta del extremo superior de la puerta del frigorífico	1
19	Soporte inferior de la puerta del frigorífico	1
20	Paquete de accesorios	4
21	Cierre automático de la puerta derecha	1

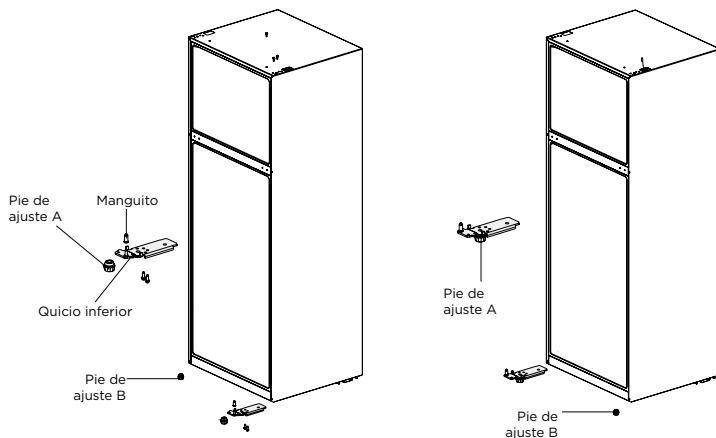
Notas:

1-19/Preinstalado en el frigorífico y debe usarse cuando se cambie la puerta
 20/Bisagra superior izquierda, cubierta de la bisagra superior izquierda, autobloqueo de la puerta izquierda, cubierta decorativa izquierda
 21/Preinstalado en el frigorífico, retírelo y guárdelo cuando cambie la puerta.

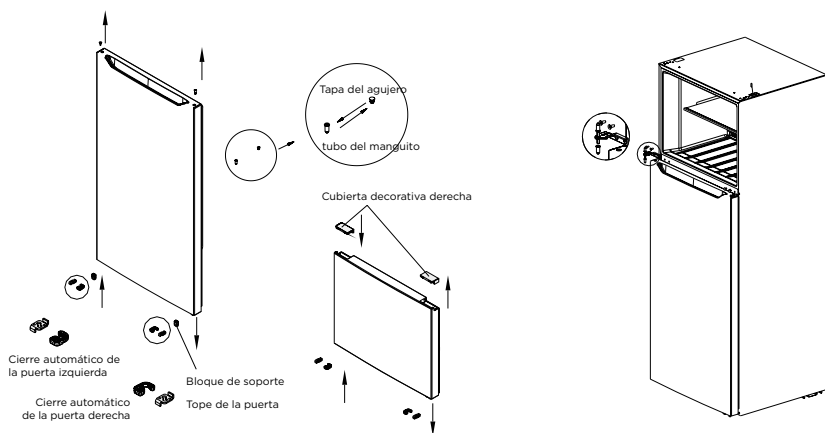
1. Apague este aparato antes de realizar esta operación.
2. Retire la cubierta del quicio y atornillela en la parte superior derecha de la caja, así como el quicio superior y la cubierta del agujero en el lateral izquierdo.



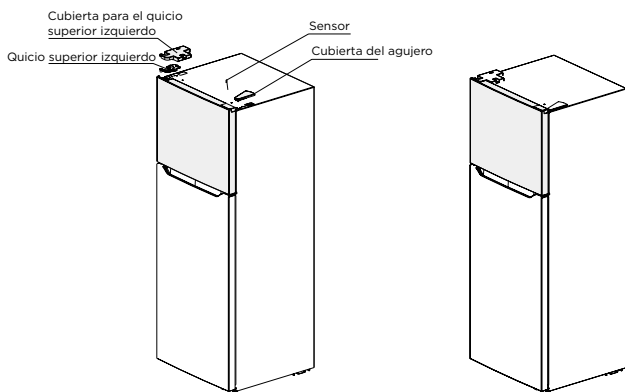
3. Desatornille el tornillo del quicio, extraiga el quicio medio y el manguito del eje superior, aparte las dos cubiertas del agujero del quicio (sujeciones de los tapones) del quicio medio y extraiga la puerta de la cámara del frigorífico hacia arriba.
4. Instale el eje del quicio y el manguito del eje en el agujero izquierdo del quicio inferior y después el quicio inferior en la esquina izquierda del frigorífico; posteriormente ajuste el pie A según la posición que se muestra en la figura y finalmente ajuste el pie B en la esquina inferior derecha del frigorífico.



5. Desmonte el tope de la puerta de los dos cuerpos de la puerta y los tornillos de bloqueo automático de la puerta derecha, luego saque el bloqueo automático de la puerta izquierda de la bolsa de accesorios e instálelo en la esquina izquierda del cuerpo de la puerta junto con el tope de la puerta; saque el bloque de soporte inferior del cuerpo de la puerta de la cámara de refrigeración e instálelo en la esquina inferior izquierda. Finalmente saque el tapón del orificio y el casquillo del eje para la puerta de la cámara de refrigeración y ajuste sus posiciones, y luego instálelos en el cuerpo de la puerta. Saque la cubierta decorativa derecha de la puerta de la cámara de refrigeración, y saque la cubierta decorativa izquierda de la bolsa de accesorios e instálela.



6. Instale la puerta de la cámara del frigorífico en el quicio inferior, el quicio medio en el lateral izquierdo del frigorífico y apriete los tornillos y después coloque bien el manguito del eje. Instale la sujeción del tapón en el agujero en la viga media en el otro extremo.
7. Instale la Puerta del congelador en el quicio medio extraiga el quicio superior izquierdo y la cubierta para el quicio superior izquierdo de la bolsa de accesorios; instale el quicio izquierdo y apriete los tornillos; instale la cubierta para el quicio superior izquierdo y apriete el tornillo; instale el sensor derecho en la cubierta del agujero izquierdo original y después fije la cubierta del agujero a la caja derecha.
8. Tras completar la instalación.



● ATENCIÓN

La imagen que aparece arriba tiene solo una finalidad de referencia. La configuración real dependerá del producto físico o declaración por parte del distribuidor.



Nivelación de los pies

Para evitar vibraciones, se debe nivelar la unidad.

Si es necesario, ajuste los tornillos de nivelación para compensar el suelo irregular.

La parte delantera debe ser ligeramente más alta que la trasera para ayudar al cierre de la puerta.

Los tornillos de nivelación se pueden girar con facilidad inclinando ligeramente el aparato.

Gire en sentido antihorario los tornillos de nivelación  para subir la unidad y en sentido horario  para bajarla.

Mover el aparato

1. Saque toda la comida del interior del aparato.
2. Desenchufe el cable de alimentación, inserte el enchufe y fíjelo en el gancho a tal efecto en la parte trasera o superior del aparato.
3. Fije con cinta adhesiva las piezas como las estanterías y el mango de la puerta para que no se caigan cuando se mueva el aparato.
4. Mueva el aparato usando dos o más personas y con cuidado. Cuando transporte el aparato una larga distancia, mantenga el aparato en posición vertical.
5. Tras instalar el aparato, conecte el enchufe a una toma de corriente y encienda el aparato.

ATENCIÓN

Precauciones antes del funcionamiento:

Antes de realizar cualquier modificación, debe desconectar el frigorífico de la corriente.

Se deberían tomar precauciones para evitar lesiones personales.

Cambio de lámparas

- Cualquier sustitución o mantenimiento de las bombillas LED está previsto que lo realice el fabricante, su agente de mantenimiento o una persona con una cualificación similar.

ATENCIÓN

MDRT489MTE contiene una fuente de luz de clase de eficiencia energética (F).

MDRT580MTE/MDRT645MTE contiene dos fuentes de luz de clase de eficiencia energética (F).

Conexión del aparato

Después de instalar el aparato, conecte el enchufe de corriente a una toma de red.

ATENCIÓN

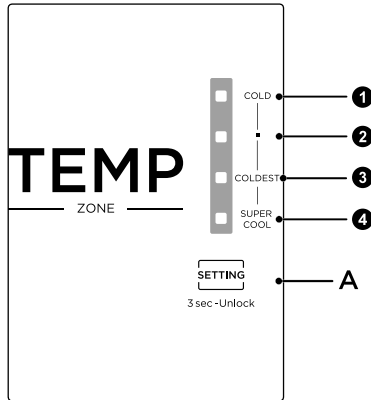
Después de conectar el cable de alimentación (o el enchufe) a la toma, espere 2 o 3 horas antes de introducir los alimentos en el aparato. Si introduce la comida antes de que el aparato se haya enfriado por completo, los alimentos se pueden estropear.

Consejos para ahorrar energía

- No coloque el aparato cerca de cocinas, radiadores u otras fuentes de calor. Si la temperatura ambiente es alta el compresor funcionará con más frecuencia y durante más tiempo, dando lugar a un mayor consumo energético.
- Compruebe que haya suficiente ventilación en la base del aparato, a los lados y en la parte trasera. Nunca cubra las aberturas de ventilación.
- Tenga en cuenta también las dimensiones de las distancias del capítulo «Instalación».
- La disposición de cajones, estantes y estanterías que se muestra en la ilustración garantiza el uso más eficiente de la energía y, por tanto, debe mantenerse en la medida de lo posible. Todos los cajones y estantes deben permanecer en el aparato para mantener la temperatura estable y ahorrar energía.
- Para obtener un espacio de almacenamiento mayor (por ejemplo, para productos refrigerados/congelados de gran tamaño), se pueden retirar los cajones centrales. Los cajones y estantes superiores e inferiores deben retirarse en último lugar si es necesario.
- Para lograr un consumo energético óptimo lo ideal es llenar de manera uniforme el compartimento del frigorífico/congelador. Evite dejar compartimentos vacíos o semivacíos.
- Deje que los alimentos calientes se enfríen antes de meterlos en el frigorífico/congelador. Los alimentos que ya se han enfriado aumentan la eficiencia energética.
- Deje que los alimentos congelados se descongelen en el frigorífico. El frío de los alimentos congelados reduce el consumo energético del compartimento del frigorífico y aumenta la eficiencia energética.
- Abra la puerta solo el tiempo necesario para minimizar la pérdida de frío. Abrir la puerta brevemente y cerrarla bien reduce el consumo energético.
- Las juntas de las puertas del aparato deben mantenerse perfectamente intactas para que las puertas cierren bien y el consumo energético no aumente innecesariamente.

INSTRUCCIONES DE FUNCIONAMIENTO

Panel de control



ES

Teclas

- Ajuste 1 (COLD)
- Ajuste 2 (MID)
- Ajuste 3 (COLDEST)
- Ajuste 4 (SUPER COOL)
- Ajuste A (Botón de ajuste de la temperatura del compartimento frigorífico)

⚠ ATENCIÓN

El panel de control real puede diferir de modelo a modelo.

Pantalla

- Cuando conecte el frigorífico a la corriente eléctrica por primera vez, la pantalla brilla completamente durante 3 segundos y después el frigorífico funciona conforme a la configuración 3. En caso de fallo, el LED correspondiente parpadea. En caso de que no haya fallos, muestra el ajuste de temperatura actual del frigorífico.

Código de fallo	Descripción del fallo
Indicador de ajuste 3 y ajuste 4	Error del sensor de temperatura de la cámara de refrigeración
Indicador de ajuste 2 y ajuste 4	Fallo del sensor de descongelación de la cámara congeladora
Indicador de ajuste 1 y ajuste 4	Fallo del sensor de temperatura ambiente

Configuración de temperatura

- Cada vez que pulse una vez el botón de configuración de temperatura (A), el ajuste de temperatura cambiará. Una vez finalizado el ajuste de temperatura, el frigorífico funcionará de acuerdo con el ajuste después de 15 segundos.
- El ajuste cambia en este orden:

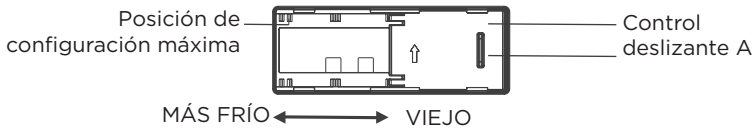


Bloqueo/Desbloqueo

- Mantenga pulsada la tecla TEMP durante 3 segundos para desbloquear y 30 segundos para bloquear automáticamente sin operación

Control deslizante de ajuste de la humedad

- La temperatura en el interior del congelador puede ajustarse cambiando la posición del control deslizante. La posición inicial del control deslizante está en la posición A. Si se requiere una temperatura más baja en el interior del congelador, puede ajustar el control deslizante desde la posición A hacia el lado izquierdo.
- Para un mejor uso del frigorífico, se recomienda mantener el control deslizante de humedad en la posición inicial.



Dejar de usarlo

- **Fallo de alimentación:** En caso de un fallo de alimentación, incluso si ese n verano, los alimentos en el interior del aparato pueden mantenerse durante varias horas; durante un fallo de alimentación, se debe reducir las veces que se abre la puerta y no se deben colocar más alimentos frescos en el aparato.
- **Ausencia de uso prolongada:** El aparato debe desenchufarse y después limpiarse; posteriormente, las puertas se dejan abiertas para evitar los malos olores.

Consejos para el almacenamiento de alimentos

Compartimento del congelador

- El congelador está destinado al almacenamiento de alimentos congelados a muy baja temperatura, al almacenamiento a largo plazo de alimentos congelados y a la producción de hielo.
- Utilice los estantes de la puerta del congelador sólo para almacenar alimentos congelados, no para guardar alimentos calientes destinados a la congelación.
- No coloque alimentos frescos y congelados uno al lado del otro. Los alimentos congelados pueden descongelarse.
- Cuando congele alimentos frescos (como carne, pescado o carne picada), córtelos en partes que puedan utilizarse al mismo tiempo.
- Conservación de alimentos congelados: en los envases suelen figurar instrucciones que deben respetarse. Si no hay información en el envase, los alimentos no deben conservarse más de tres meses desde la fecha de compra.
- Cuando compre alimentos congelados, asegúrese de que se han congelado a una temperatura adecuada y de que el envase no está dañado.
- Los alimentos congelados deben conservarse en envases adecuados para mantener su calidad y deben devolverse al congelador lo antes posible.
- Si un paquete de alimentos congelados presenta humedad o un abombamiento anormal, es probable que se haya almacenado a una temperatura incorrecta y el contenido esté estropeado.
- El periodo de conservación de los alimentos congelados depende de la temperatura ambiente, el ajuste del termostato, la frecuencia de apertura de la puerta del congelador, el tipo de alimento y el tiempo de transporte del producto de la tienda al hogar. Siga siempre las instrucciones impresas en el envase y no supere nunca el tiempo máximo de conservación indicado en el mismo.

Compartimento de refrigeración

- Para reducir la humedad y la consiguiente formación de hielo, no introduzca nunca líquidos en el frigorífico en recipientes sin cerrar. La escarcha tiende a concentrarse en las partes más frías del evaporador. Si almacena líquidos sin tapar, necesitará descongelarlos con más frecuencia.
- No introduzca nunca alimentos calientes en el frigorífico. En primer lugar, deben enfriarse a temperatura ambiente y, a continuación, colocarse de forma que se garantice una circulación de aire adecuada en el frigorífico.
- Los alimentos o los recipientes de alimentos no deben tocar la pared trasera del frigorífico porque podrían congelarse en la pared. No abra regularmente la puerta del frigorífico.
- La carne y el pescado limpios (envasados en un paquete o en una lámina de plástico) pueden guardarse en el frigorífico y utilizarse en 1-2 días.
- Las frutas y hortalizas sin envasar pueden colocarse en la parte destinada a las frutas y hortalizas frescas.

ATENCIÓN

El ajuste óptimo de temperatura de cada compartimento depende de la temperatura ambiente. La temperatura óptima superior se basa en la temperatura ambiente de 25 °C.

Orden	Compartimentos TYPE	Temperatura objetivo de almacenamiento [°C]	Alimentos adecuados
1	Frigorífico	+2 ~ +8	Huevos, alimentos cocinados, alimentos envasados, frutas y verduras, productos lácteos, pasteles, bebidas y otros alimentos no aptos para su congelación.
2	(***)*-Congelador	≤-18	Pescado y marisco (gambas, moluscos), productos de agua dulce y productos cárnicos (recomendado 3 meses; cuanto mayor sea el tiempo de almacenamiento, peor será el sabor y los valores nutricionales), apto para alimentos frescos congelados.
3	***-Congelador	≤-18	Pescado y marisco (gambas, moluscos), productos de agua dulce y productos cárnicos (recomendado 3 meses; cuanto mayor sea el tiempo de almacenamiento, peor será el sabor y los valores nutricionales), apto para alimentos frescos congelados.
4	** -Congelador	≤-12	Pescado y marisco (gambas, moluscos), productos de agua dulce y productos cárnicos (recomendado 3 meses; cuanto mayor sea el tiempo de almacenamiento, peor será el sabor y los valores nutricionales), apto para alimentos frescos congelados.
5	*-Congelador	≤-6	Pescado y marisco (gambas, moluscos), productos de agua dulce y productos cárnicos (recomendado 3 meses; cuanto mayor sea el tiempo de almacenamiento, peor será el sabor y los valores nutricionales), apto para alimentos frescos congelados.
6	0 estrellas	-6 - 0	Cerdo, ternera, pescado y pollo frescos, algunos alimentos procesados empaquetados, etc. (Consumo recomendado el mismo día, preferentemente antes de 3 días.) Alimentos procesados parcialmente envasados (alimentos no congelables).
7	Frío	-2 ~ +3	Cerdo fresco / congelado, ternera, pollo, productos de pesca frescos, etc. (7 días por debajo de 0 °C y por encima de 0°C; se recomienda para su consumo en el mismo día, preferentemente no más de 2 días). Marisco (menos de 0°C durante 15 días; no se recomienda guardar por encima de 0 °C).
8	Alimentos frescos	0 ~ +4	Cerdo, ternera, pescado y pollo frescos, alimentos cocinados, etc. (Consumo recomendado el mismo día, preferentemente antes de 3 días.)
9	Vino	+5 ~ +20	Vino tinto, vino espumoso, etc.

ATENCIÓN

guarde diferentes alimentos conforme a los compartimentos o la temperatura de almacenamiento objetivo de su compra.

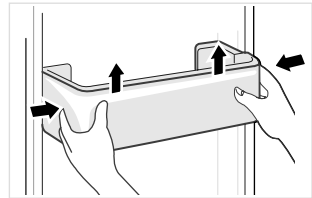
LIMPIEZA Y MANTENIMIENTO

Descongelación

- El frigorífico está fabricado de acuerdo al principio de refrigeración del aire y, por tanto, cuenta con una función de descongelación automática. El hielo formado debido al cambio de estación o temperatura asimismo puede retirarse manualmente mediante la desconexión del aparato de la alimentación o limpiándolo con una toalla seca.

Limpieza de la bandeja de la puerta

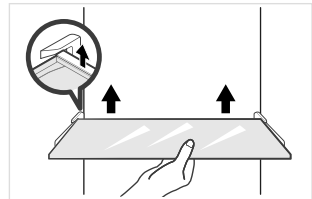
- Según la flecha de dirección de la figura que aparece debajo, use ambas manos para apretar la bandeja, empujarla hacia arriba y después puede extraerla.
- Después sacar y lavar la bandeja, puede ajustar la altura de instalación según sus necesidades.



ES

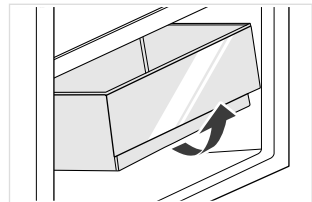
Limpieza de la estantería de vidrio

- Como la parte más interna del revestimiento del frigorífico donde entran en contacto las estanterías dispone de un tope, debe elevar las estanterías y después podrá extraerlas.
- Ajuste o limpie las estanterías según sus necesidades.



Limpieza del cajón de verduras

1. Retire los contenidos del cajón. Sujete el asa del cajón de las verduras y extraígalo completamente hasta que se detenga.
2. Levante hacia arriba el cajón de las verduras y retírelo extrayéndolo.



● ATENCIÓN

Se sugiere para la limpieza toallas suaves o esponjas empapadas en agua y detergente neutros no corrosivos. El congelador se debe limpiar con agua limpia y un paño seco. Abra la puerta para que se seque de forma natural antes de encenderlo. No use cepillos duros, bolas de acero de limpieza, cepillos de cerdas metálicas, productos abrasivos como dentífricos, disolventes orgánicos (como alcohol, acetona, aceite de plátano, etc.), agua hirviendo, elementos ácidos o alcalinos para limpiar el frigorífico considerando que esto puede dañar la superficie y el interior del frigorífico.

RESOLUCIÓN DE PROBLEMAS

El usuario puede ocuparse de los siguientes problemas simples. Llame al servicio posventa si no se solucionan los problemas.

Problema	Motivo posible
Fallo en el funcionamiento	• Compruebe si el aparato está conectado a la alimentación o si el enchufe tiene bien los contactos
	• Compruebe si la tensión es demasiado baja
	• Compruebe si hay un fallo de corriente o han saltado los circuitos parciales
Mal olor	• Se deben envolver bien los alimentos que produzcan mal olor
	• Compruebe si hay alimentos podridos
	• Limpie el interior del frigorífico
Funcionamiento prolongado del compresor	• El funcionamiento durante mucho tiempo del frigorífico es normal en verano
	• cuando la temperatura ambiente es alta, no se sugiere tener muchos alimentos en el aparato al mismo tiempo.
	• Se deben enfriar los alimentos antes de empezar a ponerlos en el aparato
	• Las puertas se abren con demasiada frecuencia
La luz no se enciende	• Compruebe si el frigorífico está conectado a la alimentación y si la luz que se debe iluminar presenta daños
	• Haga que un especialista sustituya la luz
La puerta no se puede cerrar adecuadamente	• La puerta está atascada por paquetes de alimentos o se ha colocado demasiados alimentos
	• El frigorífico está inclinado.
Ruidos altos	• Compruebe si el suelo está nivelado y si el frigorífico está colocado de forma estable
	• Compruebe si los accesorios están colocados en las ubicaciones adecuadas

ES

Problema	Motivo posible
El sello de la puerta no está estanco	<ul style="list-style-type: none"> • Retire materiales extraños del sello de la puerta • Caliente el sello de la puerta y después refrigérela para restaurarlo (o soplelo con un secador eléctrico o use una toalla caliente para calentarlo)
La bandeja de agua se desborda	<ul style="list-style-type: none"> • Hay demasiados alimentos en la cámara o los alimentos almacenados contienen demasiada agua, lo que provoca una grave descongelación • Las puertas no están cerradas debidamente lo que genera hielo debido a la entrada de aire y al aumento de agua debido a la descongelación
Carcasa caliente	<ul style="list-style-type: none"> • Disipación del calor del condensador integrado mediante la carcasa, que es normal cuando la carcasa se calienta debido a una temperatura ambiente elevada, o el almacenamiento de demasiado alimentos o si se cierra del compresor y proporciona una buena ventilación para facilitar la disipación del calor
Condensación de la superficie	<ul style="list-style-type: none"> • La condensación sobre la superficie exterior y los sellos de la puerta del frigorífico es normal cuando la humedad ambiente es demasiado alta. Simplemente limpie la condensación con una toallita limpia.

APÉNDICE

Especial para el nuevo estándar europeo

Las piezas pedidas que se incluyen en la siguiente tabla se pueden adquirir en la red de proveedores de servicios.

Pieza pedida	Proporcionada por	Tiempo mínimo hasta el suministro
Termostatos	Personal profesional de mantenimiento	Al menos 7 años después de que se haya lanzado al mercado el último modelo
Sensores de temperatura	Personal profesional de mantenimiento	Al menos 7 años después de que se haya lanzado al mercado el último modelo
Placas de circuito impreso	Personal profesional de mantenimiento	Al menos 7 años después de que se haya lanzado al mercado el último modelo
Fuente de luz	Personal profesional de mantenimiento	Al menos 7 años después de que se haya lanzado al mercado el último modelo
Pomos de las puertas	Reparadores profesionales y usuarios finales	Al menos 7 años después de que se haya lanzado al mercado el último modelo
Bisagras de las puertas	Reparadores profesionales y usuarios finales	Al menos 7 años después de que se haya lanzado al mercado el último modelo
Bandejas	Reparadores profesionales y usuarios finales	Al menos 7 años después de que se haya lanzado al mercado el último modelo
Cestas	Reparadores profesionales y usuarios finales	Al menos 7 años después de que se haya lanzado al mercado el último modelo
Juntas de puertas	Reparadores profesionales y usuarios finales	Al menos 10 años después de que se haya lanzado al mercado el último modelo

Estimado cliente

1. Si desea devolver o sustituir el producto, póngase en contacto con el establecimiento donde lo compró.
(Recuerde traer la factura de compra)
2. Si el producto se avería y necesita reparación, póngase en contacto con el proveedor de servicios posventa.

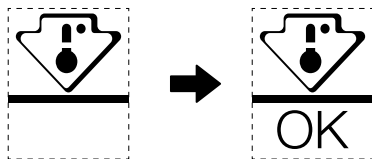
ATENCIÓN

La información sobre el modelo incluida en la base de datos de productos, así como el identificador del modelo, se pueden obtener por un enlace al que se accede escaneando un código QR, de haberlo, en la etiqueta de eficiencia energética del producto. Para obtener más información sobre la eficiencia energética del aparato, visite <https://ec.europa.eu> y realice una búsqueda usando el nombre del modelo. El nombre del modelo puede encontrarse en la etiqueta identificativa del aparato.

Zona más fría del frigorífico

OPCIONAL: Indicador OK de temperatura

- El indicador OK de temperatura puede usarse para determinar temperaturas inferiores a +4 °C. Reduzca gradualmente la temperatura si el signo no «OK».



- Para garantizar la temperatura de esta zona, no cambie el estante de posición. En frigoríficos por aire forzado (equipados con un ventilador o los modelos Sin Hielo), el símbolo de la zona más fría no se incluye porque la temperatura interior es homogénea.

Configuración del indicador de temperatura

- Para facilitar la correcta configuración del frigorífico, este está equipado con un indicador de temperatura que controlará la temperatura media en la zona más fría.
- ADVERTENCIA: este indicador tiene como finalidad funcionar solo con su frigorífico; no lo use en ningún otro frigorífico (de hecho, la zona más fría no es la misma) o para cualquier otro uso.

Comprobación de la temperatura en la zona más fría

- Con el indicador de temperatura, puede comprobar de forma regular si la temperatura de la zona más fría es correcta. De hecho, la temperatura interna del frigorífico depende de varios factores, como la temperatura ambiente de la estancia, la cantidad de comida almacenada y la frecuencia de apertura de la puerta. Estos factores deben tenerse en cuenta al configurar el dispositivo.
- Cuando el indicador muestra «OK», el termostato está bien ajustado y la temperatura interna es correcta.
- Si el indicador de temperatura aparece BLANCO, la temperatura es demasiado alta; en este caso, suba la configuración del control de temperatura del frigorífico y espere 12 horas antes de llevar a cabo una nueva inspección visual del indicador. Cuando se introduce comida fresca o se deja la puerta abierta, es posible que el indicador de temperatura aparezca BLANCO al poco tiempo.

NOTA DE AGRADECIMENTO

Muito obrigado por escolher Midea! Antes de utilizar o seu novo produto Midea, leia este manual atentamente para garantir que sabe utilizar as funcionalidades e funções disponibilizadas pelo seu novo aparelho em segurança.

ÍNDICE

NOTA DE AGRADECIMENTO	01
ESPECIFICAÇÕES	02
VISTA GERAL DO PRODUTO	03
INSTALAÇÃO DO PRODUTO	04
INSTRUÇÕES DE FUNCIONAMENTO	11
LIMPEZA E MANUTENÇÃO	15
RESOLUÇÃO DE PROBLEMAS	16
APÊNDICE	18

ESPECIFICAÇÕES

Modelo do produto	MDRT489MTE
Tensão/Frequência nominal	220-240 V-/50 Hz
Corrente Nominal	0,7 A
Volume Total	338 L
Volume do compartimento de armazenamento de alimentos frescos	254 L
Volume do compartimento de quatro estrelas	84 L
Capacidade de Congelação	3,9 kg/24h
Tempo de Aumento de Temperatura	10 h
Dimensões gerais (L x P x A)	595X695x1724 mm

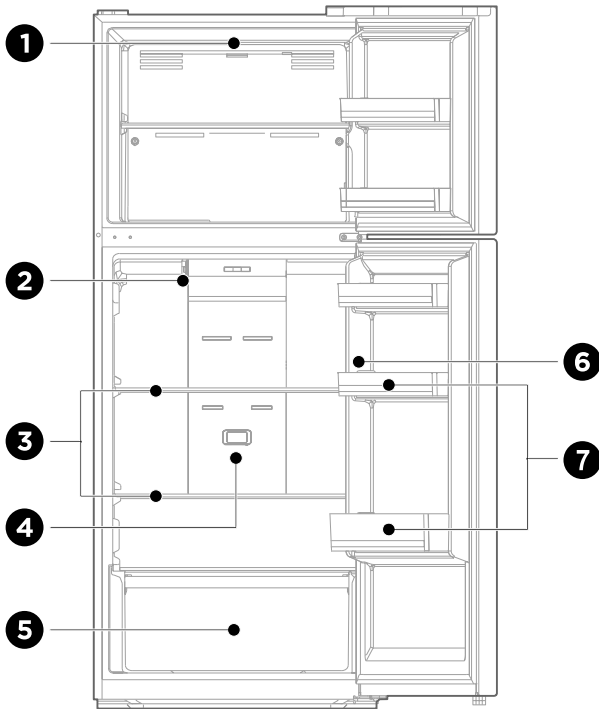
PT

Modelo do produto	MDRT580MTE
Tensão/Frequência nominal	220-240 V-/50 Hz
Corrente Nominal	1,5 A
Volume Total	413 L
Volume do compartimento de armazenamento de alimentos frescos	306 L
Volume do compartimento de quatro estrelas	107 L
Capacidade de Congelação	5 kg/24h
Tempo de Aumento de Temperatura	10 h
Dimensões gerais (L x P x A)	700X670x1723 mm

Modelo do produto	MDRT645MTE
Tensão/Frequência nominal	220-240 V-/50 Hz
Corrente Nominal	1,2 A
Volume Total	463 L
Volume do compartimento de armazenamento de alimentos frescos	356 L
Volume do compartimento de quatro estrelas	107 L
Capacidade de Congelação	5 kg/24h
Tempo de Aumento de Temperatura	10 h
Dimensões gerais (L x P x A)	700 x 691 x 1880 mm

VISTA GERAL DO PRODUTO

Nome dos componentes



- | | | | |
|---|--|---|---------------------------|
| 1 | Luz LED | 5 | Caixa de frutas e legumes |
| 2 | Controlador de deslizamento de ajuste do amortecedor | 6 | Controle da temperatura |
| 3 | Prateleira | 7 | Bandeja da porta |
| 4 | Desodorizante | | |

● ATENÇÃO

A imagem acima é apenas para referência. A configuração real dependerá do produto físico ou da declaração do distribuidor.

INSTALAÇÃO DO PRODUTO

Instruções de instalação

Para aparelhos de refrigeração com classe climática

- Dependendo da classe climática, este aparelho frigorífico destina-se a ser utilizado nos intervalos de temperatura ambiente, tal como especificado na tabela seguinte.
- A classe climática pode ser encontrada na placa de classificação. O produto pode não funcionar corretamente a temperaturas fora do intervalo especificado.
- Pode encontrar a classe climática na etiqueta do produto.

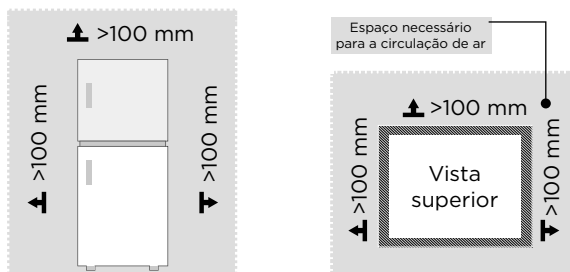
Intervalo efetivo de temperaturas

- O produto é concebido para funcionar normalmente no intervalo de temperaturas especificado pela sua classificação de classe.

Classe	Símbolo	Limite de temperatura ambiente °C	
		IEC 62552 (ISO 15502)	ISO 8561
Temperatura alargada	SN	+10 a +32	+10 a +32
Temperado	N	+16 a +32	+16 a +32
Subtropical	ST	+16 a +38	+18 a +38
Tropical	T	+16 a +43	+18 a +43

Dimensões e espaços

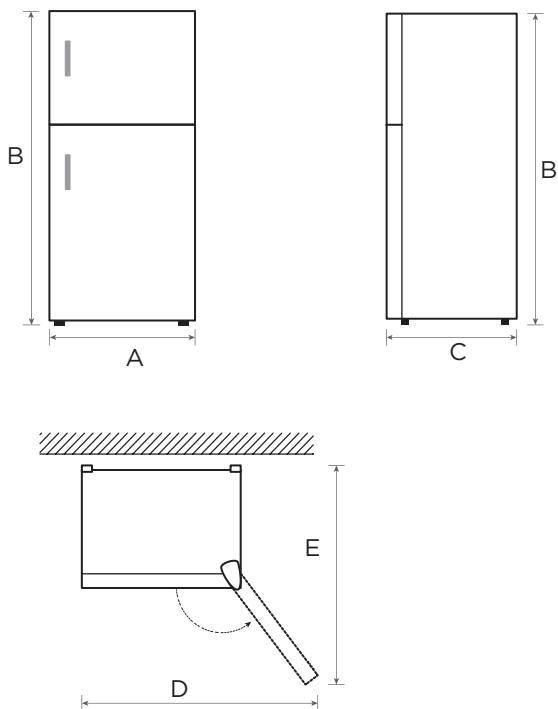
- Uma distância demasiado pequena de itens adjacentes pode resultar na degradação da capacidade de congelação e no aumento dos custos de eletricidade. Permita mais de 100 mm de espaço livre de cada parede adjacente ao instalar o aparelho.



⚠ ATENÇÃO

A imagem acima é apenas para referência. A configuração real dependerá do produto físico ou da declaração do distribuidor.

Diagrama do espaço necessário (com a porta aberta e com a porta fechada)




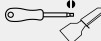
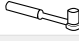

PT

Modelo do produto	Largura	Altura total	Profundidade	Largura de abertura de portas 135°	Profundidade de abertura de portas 135°
	A	B	C	D	E
MDRT489MTE	595	1724	695	997	1137
Modelo do produto	Largura	Altura total	Profundidade	Largura de abertura de portas 125°	Profundidade de abertura de portas 125°
	A	B	C	D	E
MDRT580MTE	700	1723	670	1085	1252
MDRT645MTE	700	1880	691	1085	1252

Observação: Todas as dimensões encontram-se em mm

Alteração de porta direita-esquerda

Lista de ferramentas a serem providenciadas pelo utilizador

	Chave de fendas Allen - Chave de fendas cruzada
	Espátula Chave de fendas de lâmina fina
	Chave-de-boca de 5/16"
	Fita adesiva

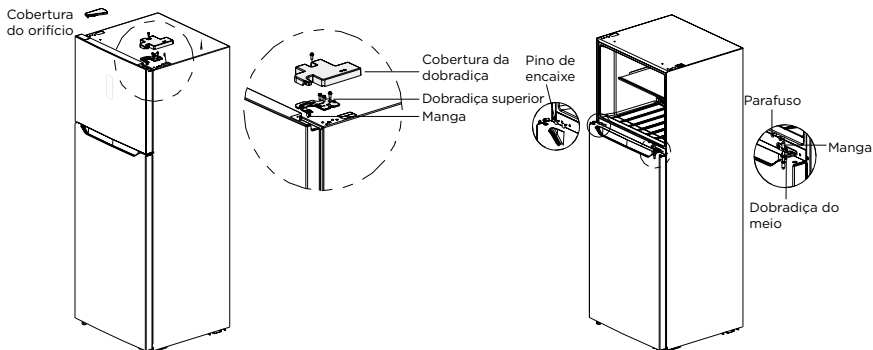
Peças a serem utilizadas para a inversão de portas

SN	Peças	Quantidade
1	Dobradiça superior direita	1
2	Cobertura da dobradiça superior direita	1
3	Manga de eixo da dobradiça superior	1
4	Parafuso da dobradiça superior	3
5	Cobertura do orifício	1
6	Parafuso da dobradiça central	2
7	Dobradiça do meio	1
8	Tampão de orifício	2
9	Parafuso da barra central	1
10	Cobertura do parafuso da barra central	1
11	Pé ajustável	1
12	Parafuso da dobradiça inferior	3
13	Conjunto da dobradiça inferior	1
14	Parafuso de tampa inferior da porta do congelador	1
15	Tampa da extremidade inferior do bloco limitador do congelador	1
16	Parafuso de tampa inferior da porta do frigorífico	1
17	Bloco de limitação da proteção da margem inferior da porta do frigorífico	1
18	Manga de eixo da cobertura da margem superior da porta do frigorífico	1
19	Suporte inferior da porta do frigorífico	1
20	Pacote de acessórios	4
21	Bloqueio automático da porta direita	1

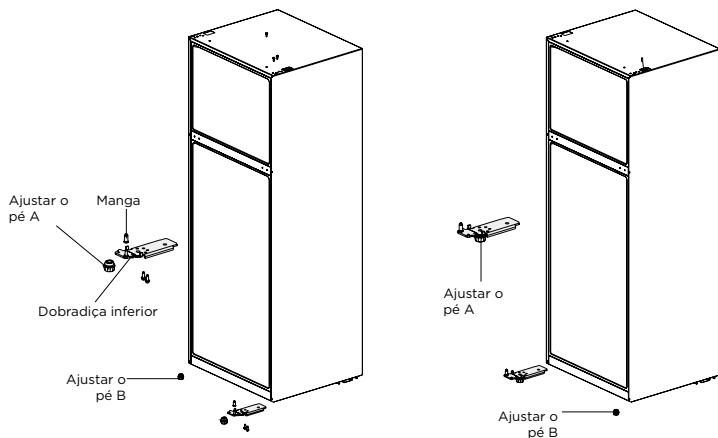
Notas:

1-19/Pré-instalado no frigorífico e para ser utilizado quando se muda a porta
20/Dobradiça superior esquerda, cobertura da dobradiça superior esquerda, bloqueio automático da porta esquerda, cobertura decorativa esquerda
21/Pré-instalado no frigorífico, removido e mantido durante a mudança da porta

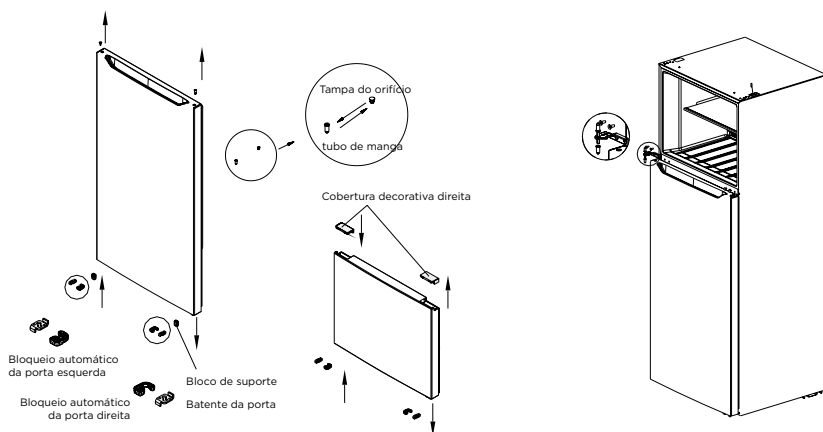
1. Desligue este aparelho da corrente antes de realizar esta operação.
2. Remova a cobertura da dobradiça e o parafuso na parte superior direita da caixa, bem como a dobradiça superior e a cobertura do orifício no lado esquerdo.



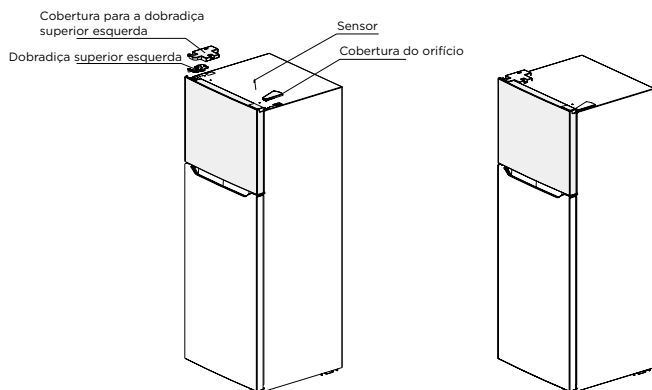
3. Desaperte o parafuso da dobradiça, retire a dobradiça do meio e a manga de eixo superior, retire as duas cobertura do orifício da dobradiça (pino de encaixe) na dobradiça do meio e retire o corpo da porta da câmara do frigorífico empurrando para cima.
4. Instale o eixo da dobradiça e a manga de eixo no orifício da esquerda da dobradiça inferior e, em seguida, a dobradiça inferior no canto esquerdo do frigorífico. Depois, ajuste o pé A de acordo com a posição mostrada na Figura e, finalmente, ajuste o pé B no canto inferior direito do frigorífico.



5. Desmonte o batente da porta dos dois corpos da porta e os parafusos de bloqueio automático da porta direita; retire o bloqueio automático da porta esquerda do saco de acessórios e instale-o no canto esquerdo do corpo da porta, juntamente com o batente da porta; retire o bloco de suporte inferior do corpo da porta da câmara de refrigeração e instale-o no canto inferior esquerdo. Por último, retire a tampa do orifício e a manga de eixo da porta da câmara de refrigeração e ajuste as posições e, em seguida, instale-as no corpo da porta. Retire a cobertura decorativa direita da porta da câmara de refrigeração e retire a cobertura decorativa esquerda do saco de acessórios e instale-a.



- PT**
6. Instale a porta da câmara de refrigeração na dobradiça inferior e na dobradiça do meio do lado esquerdo do frigorífico e aperte os parafusos. Depois coloque bem a manga de eixo. Instale o pino de encaixe no orifício na barra central e na outra ponta.
 7. Instale a porta do congelador na dobradiça do meio, retire a dobradiça superior esquerda e a cobertura da dobradiça superior esquerda do saco de acessórios, instale a dobradiça esquerda e aperte os parafusos. Instale a cobertura da dobradiça superior esquerda e aperte o parafuso; instale o sensor direito na cobertura do orifício esquerdo original e, em seguida, fixe a tampa do orifício na caixa direita.
 8. Depois de concluir a instalação.



● ATENÇÃO

A imagem acima é apenas para referência. A configuração real dependerá do produto físico ou da declaração do distribuidor.



Pés de nivelamento

Para evitar vibração, a unidade deve estar nivelada.

Se necessário, ajuste os parafusos de nivelamento para compensar o chão desnivelado.

A frente deve estar ligeiramente mais alta que a traseira para ajudar no fechamento da porta.

Os parafusos de nivelamento podem ser facilmente rodados, inclinando ligeiramente o armário.

Rode os parafusos de nivelamento no sentido contrário ao dos ponteiros do relógio  para elevar a unidade e no sentido dos ponteiros do relógio  para os baixar.

Mover o aparelho

1. Retire todos os alimentos do interior do aparelho.
2. Puxe a ficha de alimentação, introduza-a e fixe-a no gancho da ficha de alimentação na parte de trás ou em cima do aparelho.
3. Cole as peças, tais como prateleiras e o puxador da porta, com fita adesiva para evitar que caiam enquanto se desloca o aparelho.
4. Desloque o aparelho com mais de duas pessoas com cuidado. Ao transportar o aparelho numa longa distância, mantenha o aparelho na vertical.
5. Após a instalação do aparelho, ligue a ficha de alimentação a uma tomada para ligar o aparelho.

ATENÇÃO

Precauções antes da operação:

Antes de fazer alterações, o frigorífico deve ser desligado da corrente. devem ser tomadas precauções para evitar qualquer lesão pessoal.

Substituir a luz

- A substituição ou a manutenção das lâmpadas LED destinam-se a ser realizadas pelo fabricante, o seu agente de assistência técnica ou um profissional igualmente qualificado.

ATENÇÃO

MDRT489MTE contém uma fonte leve de classe de eficiência de energia (F).

MDRT580MTE/MDRT645MTE contém duas fontes de iluminação da classe de eficiência energética (F).

Ligar o aparelho

Após instalar o aparelho, ligue a ficha de alimentação a uma tomada de corrente.

ATENÇÃO

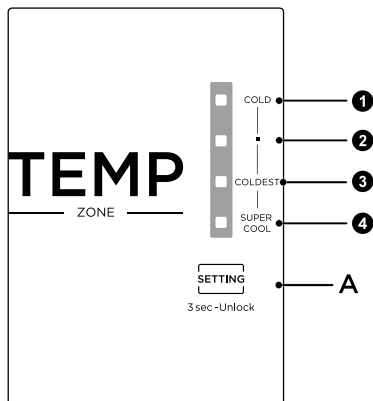
Depois de ligar o cabo de alimentação (ou ficha) à tomada, aguarde 2 ou 3 horas antes de colocar os alimentos no aparelho. Se colocar alimentos antes de o aparelho arrefecer completamente, os seus alimentos podem estragar-se.

Sugestões para economia de energia

- Não coloque o aparelho perto de fogões, radiadores ou outras fontes de calor. Se a temperatura ambiente for elevada, o compressor funcionará mais frequentemente e durante mais tempo, resultando num aumento do consumo de energia.
- Certifique-se de que haja ventilação suficiente na base do aparelho, dos lados do aparelho e na parte de trás do aparelho. Nunca tape as aberturas de ventilação.
- Tenha também em atenção as dimensões do espaçamento no capítulo "Instalação".
- A disposição das gavetas, prateleiras e suportes, tal como mostrado na figura, oferece a utilização mais eficiente da energia e deve, portanto, ser mantida na medida do possível. Todas as gavetas e prateleiras devem permanecer no aparelho para manter a temperatura estável e poupar energia.
- Para obter um espaço de armazenamento maior (por exemplo, para grandes produtos refrigerados/congelados), as gavetas do meio podem ser retiradas. As gavetas e prateleiras superior e inferior devem ser removidas por último, se necessário.
- Um compartimento frigorífico/congelador uniformemente cheio contribui para uma utilização ótima da energia. Portanto, deve evitar compartimentos vazios ou semivazios.
- Deixar arrefecer os alimentos quentes antes de os colocar no frigorífico/congelador. Os alimentos que já arrefeceram aumentam a eficiência energética.
- Permita que os alimentos congelados descongelem no frigorífico. A frieza dos alimentos congelados reduz o consumo de energia no compartimento frigorífico e aumenta assim a eficiência energética.
- Abrir a porta apenas tão brevemente quanto necessário para minimizar a perda de frio. Abrir a porta brevemente e fechá-la adequadamente reduz o consumo de energia.
- As vedações das portas do seu aparelho devem estar perfeitamente intactas para que as portas fechem corretamente e o consumo de energia não seja aumentado desnecessariamente.

INSTRUÇÕES DE FUNCIONAMENTO

Painel de controlo



PT

Principal

- Definição 1 (COLD)
- Definição 2 (MID)
- Definição 3 (COLDEST)
- Definição 4 (SUPER COOL)
- Definição A (botão de ajuste de temperatura do compartimento frigorífico)

⚠ ATENÇÃO

O painel de controlo real poderá ser diferente consoante o modelo.

Visor

- Ao ligar o frigorífico à corrente elétrica pela primeira vez, o ecrã de apresentação acende totalmente durante 3 segundos e, em seguida, o frigorífico, funciona de acordo com a definição 3. Em caso de falha, o LED correspondente pisca. No caso de não haver falhas, mostra a definição real da temperatura do frigorífico.

Código da Anomalia	Descrição da Anomalia
Definição 3 e definição 4 do indicador	Falha do sensor de temperatura da câmara frigorífica
Definição 2 e definição 4 do indicador	Falha no sensor de descongelamento do compartimento do congelador
Definição 1 e definição 4 do indicador	Avaria do sensor de temperatura ambiente

Definição de temperatura

- Cada vez que se prime uma vez o botão de definição da temperatura (A), a definição da temperatura muda uma vez. Quando a definição da temperatura estiver concluída, o frigorífico funcionará de acordo com a definição após 15 segundos.
- A definição muda na seguinte ordem:

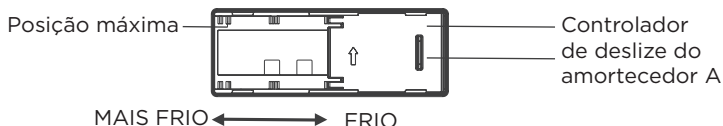


Bloquear/Desbloquear

- Prima, sem soltar, a tecla “TEMP” durante 3 segundos para desbloquear e 30 segundos para bloquear automaticamente sem operação.

Controlador de deslize de ajuste do amortecedor

- A temperatura no interior do congelador pode ser ajustada mudando a posição do regulador de amortecimento. A posição inicial do regulador de amortecimento é na posição A. Se for necessária uma temperatura inferior no interior do congelador, pode ajustar o regulador de amortecimento da posição A para o lado esquerdo.
- Para uma melhor utilização do frigorífico, é recomendado manter o controlador de deslize do amortecedor na posição inicial.



Pare de usar

- **Falha de energia:** Em caso de falha de energia, mesmo no verão, os alimentos dentro do aparelho podem ser mantidos por várias horas; durante uma falha de energia, o número de vezes que a porta é aberta deve ser reduzido e não devem ser postos mais alimentos frescos no aparelho.
- **Não utilização prolongada:** O aparelho deve ser desligado da tomada e depois limpo; em seguida, as portas são deixadas abertas para evitar odores.

Sugestões sobre o armazenamento de alimentos

Compartimento congelador

- O congelador está concebido para o armazenamento de alimentos congelados a temperaturas muito baixas, armazenamento a longo prazo de alimentos congelados, bem como para a produção de gelo.
- Utilize apenas as prateleiras da porta do congelador para armazenar alimentos congelados, e não para armazenar alimentos quentes destinados a congelação.
- Não coloque alimentos frescos e congelados uns ao lado dos outros. Os alimentos congelados podem descongelar.
- Ao congelar alimentos frescos (tais como carne, peixe ou carne picada), deve cortá-los em porções que possam ser utilizadas ao mesmo tempo.
- Armazenamento de alimentos congelados: as instruções são normalmente indicadas nas embalagens, as quais devem ser seguidas. Se não houver informação na embalagem, os alimentos não devem ser armazenados durante mais de três meses a partir da data de compra.
- Ao comprar alimentos congelados, certifique-se de que tenham sido congelados a uma temperatura adequada e de que a embalagem não se encontra danificada.
- Os alimentos congelados devem ser mantidos em embalagens adequadas para manter a qualidade e devem ser devolvidos ao compartimento de congelação o mais rapidamente possível.
- Caso alguma embalagem de alimentos congelados apresente humidade ou abaulamento anormal, é provável que tenha sido armazenada à temperatura incorreta e que o conteúdo esteja estragado.
- O período de armazenamento dos alimentos congelados depende da temperatura ambiente, da regulação do termóstato, da frequência de abertura da porta do congelador, do tipo de alimentos e do tempo de transporte do produto da loja para o lar. Siga sempre as instruções impressas na embalagem e nunca exceda o tempo máximo de armazenamento indicado na embalagem.

Compartimento de refrigeração

- Para reduzir a humidade e subsequente acumulação de gelo, nunca coloque líquidos no frigorífico em recipientes não vedados. O gelo tende a concentrar-se nas partes mais frias do evaporador. O armazenamento de líquidos não cobertos resulta numa necessidade mais frequente de descongelação.
- Nunca coloque alimentos quentes no frigorífico. Estes devem primeiro arrefecer à temperatura ambiente e depois ser colocados de modo a assegurar uma circulação de ar adequada no frigorífico.
- Os alimentos ou recipientes de alimentos não devem tocar na parede posterior do frigorífico porque podem congelar na parede. Não abra constantemente a porta do frigorífico.
- Carne e peixe limpos (embalados numa embalagem ou película de plástico) podem ser colocados no frigorífico, podendo ser utilizados dentro de 1-2 dias.
- As frutas e legumes sem embalagem podem ser colocados na parte designada para frutas e legumes frescos.

ATENÇÃO

O ajuste ótimo da temperatura de cada compartimento depende da temperatura ambiente. A temperatura ótima supramencionada baseia-se na temperatura ambiente de 25 °C.

Ordem	TIPO dos compartimentos	Temperatura de armazenamento [°C]	Alimentos apropriados
1	Frigorífico	+2 - +8	Ovos, alimentos cozinhados, alimentos embalados, fruta, vegetais, laticínios, bolos, bebidas e outros alimentos não devem ser congelados.
2	(***)*-Congelador	≤-18	Produtos do mar (peixe, camarão, marisco), produtos aquáticos de água doce e produtos de carne (recomendados para 3 meses, quanto maior o tempo de armazenamento, pior o sabor e a nutrição), adequado para alimentos frescos congelados.
3	***-Congelador	≤-18	Produtos do mar (peixe, camarão, marisco), produtos aquáticos de água doce e produtos de carne (recomendados para 3 meses, quanto maior o tempo de armazenamento, pior o sabor e a nutrição), adequado para alimentos frescos congelados.
4	** -Congelador	≤-12	Produtos do mar (peixe, camarão, marisco), produtos aquáticos de água doce e produtos de carne (recomendados para 3 meses, quanto maior o tempo de armazenamento, pior o sabor e a nutrição), adequado para alimentos frescos congelados.
5	*-Congelador	≤-6	Produtos do mar (peixe, camarão, marisco), produtos aquáticos de água doce e produtos de carne (recomendados para 3 meses, quanto maior o tempo de armazenamento, pior o sabor e a nutrição), adequado para alimentos frescos congelados.
6	0 estrelas	-6 - 0	Carne fresca de porco, vaca, peixe, frango, alguns alimentos processados embalados, etc. (recomenda-se comer no mesmo dia, de preferência não mais do que 3 dias). Alimentos processados parcialmente embalados (alimentos que não podem ser congelados).
7	Refrigeração	-2 - +3	Carne de porco, vaca, galinha, peixe de água doce congelados/frescos, etc. (7 dias abaixo de 0 °C e acima de 0 °C recomendados para consumo no mesmo dia ou dentro de não mais de 2 dias). Peixe e marisco (abaixo de 0 °C durante 15 dias, não recomendado a armazenamento acima de 0 °C).
8	Alimentos frescos	0 - +4	Carne fresca de porco, vaca, peixe, frango, alimentos cozinhados, etc. (recomenda-se comer no mesmo dia, de preferência não mais do que 3 dias)
9	Vinho	+5 -+20	Vinho tinto, vinho branco, vinho espumante, etc.

ATENÇÃO

guarde os diferentes alimentos de acordo com os compartimentos ou temperatura de armazenamento dos produtos adquiridos.

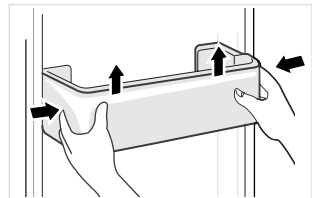
LIMPEZA E MANUTENÇÃO

Descongelar

- O frigorífico é feito com base no princípio de arrefecimento por ar e, portanto, tem a função de descongelação automática. O gelo formado devido a mudança de estação ou temperatura também pode ser removido manualmente, desligando o aparelho da corrente ou esfregando com uma toalha seca.

Limpar o tabuleiro da porta

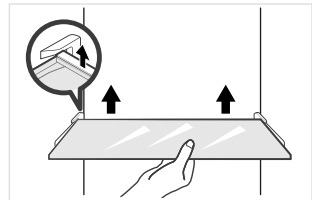
- De acordo com a seta de direção na figura abaixo, usar as duas mãos para apertar o tabuleiro e empurrá-lo para cima para a retirar.
- Após a bandeja ter sido retirada para lavagem, pode ajustar a sua altura de instalação de acordo com as suas necessidades.



PT

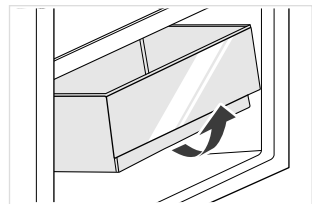
Limpar a prateleiras em vidro

- Como a parte mais interna do forro do frigorífico, onde entra em contacto com as prateleiras, tem um batente, deve levantar as prateleiras para as poder retirar.
- Ajustar ou limpar as prateleiras de acordo com sua exigência.



Limpar a gaveta dos frescos

1. Remova o conteúdo da gaveta. Segurar a pega da gaveta dos frescos e puxá-la completamente para fora até parar.
2. Levantar a gaveta dos frescos e retirá-la puxando-a para fora.



⚠️ ATENÇÃO

Recomenda-se para a limpeza toalhas macias ou uma esponja embebida em água e detergentes neutros não corrosivos. O congelador deve ser finalmente limpo com água limpa e um pano seco. Abra a porta para secagem natural antes de se ligar a corrente. Não utilize escovas duras, palha de aço, escovas de arame, produtos abrasivos (tais como pasta de dentes), solventes orgânicos (tais como álcool, acetona, óleo de banana, etc.), água a ferver ou produtos ácidos ou alcalinos para limpar o frigorífico, uma vez que pode danificar a superfície e o interior do mesmo.

RESOLUÇÃO DE PROBLEMAS

Podem ser solucionados pelo utilizador os seguintes problemas simples. Por favor, contacte o departamento de serviço pós-venda se os problemas não forem resolvidos.

Problema	Motivo possível
Falha de funcionamento	• Verifique se o aparelho está ligado à corrente ou se a ficha está bem ligada
	• Verifique se a tensão é demasiado baixa
	• Verifique se há uma falha de energia ou se alguns circuitos dispararam
Odores	• Os alimentos com odor devem ser bem embrulhados
	• Verifique se há comida estragada
	• Limpe o interior do frigorífico
Funcionamento prolongado do compressor	• O funcionamento prolongado do frigorífico é normal no Verão
	• Quando a temperatura ambiente é elevada não é aconselhável colocar muitos alimentos no aparelho ao mesmo tempo
	• Os alimentos devem arrefecer antes de serem colocados no aparelho
	• As portas são abertas com demasiada frequência
A luz não acende	• Verifique se o frigorífico está ligado à rede elétrica e se a luz de iluminação está danificada
	• A lâmpada deve ser substituída por um especialista
Não é possível fechar corretamente a porta	• A porta está presa por embalagens de alimentos. Foram colocados demasiados alimentos
	• O frigorífico está inclinado.
Ruídos altos	• Verifique se o piso está nivelado e se o frigorífico está colocado de forma estável
	• Verifique se os acessórios estão colocados nos locais apropriados

PT

Problema	Motivo possível
A junta de vedação da porta não está a vedar	<ul style="list-style-type: none"> • Remova matérias estranhas do vedante da porta • Aqueça a vedação da porta e depois arrefeça-a para restauração (utilize um secador elétrico ou utilize uma toalha quente para aquecimento)
O depósito de água transborda	<ul style="list-style-type: none"> • Há demasiados alimentos na câmara ou os alimentos armazenados contêm muita água, resultando num descongelamento profuso • As portas não estão bem fechadas, resultando em gelo, devido à entrada de ar e ao aumento de água derivado da descongelação
Caixa do aparelho	<ul style="list-style-type: none"> • A dissipação de calor do condensador incorporado através da caixa, que é normal quando a caixa se torna quente devido à alta temperatura ambiente, ao armazenamento de demasiados alimentos ou ao encerramento do compressor, proporcionam uma ventilação adequada para facilitar a dissipação de calor
Condensação na superfície	<ul style="list-style-type: none"> • A condensação na superfície exterior e nos vedantes das portas do frigorífico é normal quando a humidade ambiente é demasiado elevada. Simplesmente limpe a condensação com uma toalha limpa.

APÊNDICE

Especial relativamente à nova norma europeia

As peças encomendadas na tabela seguinte podem ser adquiridas no canal do fornecedor de serviços

Peça encomendada	Fornecida por	Tempo mínimo necessário para o fornecimento
Termóstatos	Pessoal de manutenção profissional	Pelo menos 7 anos após o último modelo ser lançado no mercado
Sensores de temperatura	Pessoal de manutenção profissional	Pelo menos 7 anos após o último modelo ser lançado no mercado
Placas de circuito impresso	Pessoal de manutenção profissional	Pelo menos 7 anos após o último modelo ser lançado no mercado
Fonte de luz	Pessoal de manutenção profissional	Pelo menos 7 anos após o último modelo ser lançado no mercado
Pegas da porta	Reparadores profissionais e utilizadores finais	Pelo menos 7 anos após o último modelo ser lançado no mercado
Dobradiças da porta	Reparadores profissionais e utilizadores finais	Pelo menos 7 anos após o último modelo ser lançado no mercado
Tabuleiros	Reparadores profissionais e utilizadores finais	Pelo menos 7 anos após o último modelo ser lançado no mercado
Cestos	Reparadores profissionais e utilizadores finais	Pelo menos 7 anos após o último modelo ser lançado no mercado
Juntas da porta	Reparadores profissionais e utilizadores finais	Pelo menos 10 anos após o último modelo ser lançado no mercado

Caro(a) cliente

1. Se pretender devolver ou substituir o produto, deve contactar o estabelecimento comercial onde o mesmo foi comprado.

(Lembre-se de trazer a fatura de compra)

2. Se o seu produto não avariar e necessitar de reparação, deve contactar o serviço pós-venda.

● ATENÇÃO

A informação do modelo na base de dados do produto, bem como o identificador do modelo, podem ser obtidos através de um código QR, se existir, no rótulo de eficiência energética do produto.

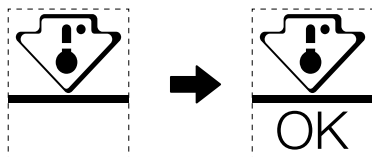
Para mais informações sobre a eficiência energética do aparelho, visite <https://ec.europa.eu> e pesquise usando o nome do modelo.

O nome do modelo pode ser encontrado na etiqueta de classificação do aparelho.

Zona mais fria no frigorífico

OPCIONAL: Indicador de temperatura OK

- O indicador de temperatura OK pode ser utilizado para determinar temperaturas inferiores a +4°C. Reduza gradualmente a temperatura se o sinal não indicar "OK".



- Para garantir a temperatura nesta área, não altere o posicionamento da prateleira. Nos frigoríficos de ar forçado (nos modelos equipados com uma ventoinha ou nos modelos "No Frost"), o símbolo da zona mais fria não é apresentado porque a temperatura no interior é homogênea.

Definição do indicador de temperatura

- Para ajudar a configurar corretamente o seu frigorífico, este está equipado com um indicador de temperatura que monitoriza a temperatura média na zona mais fria.
- AVISO: Este indicador destina-se a funcionar apenas com o seu frigorífico, não o utilize noutro frigorífico (de facto, a zona mais fria não é a mesma), ou para qualquer outra utilização.

Verificar a temperatura na zona mais fria

- Com o indicador de temperatura, pode verificar regularmente se a temperatura da zona mais fria está correta. Na realidade, a temperatura interna do frigorífico depende de vários fatores, tais como a temperatura ambiente da divisão, a quantidade de alimentos armazenados e a frequência de abertura da porta. Tenha estes fatores em consideração quando definir o aparelho.
- Quando o indicador mostrar «OK», significa que o termóstato está bem regulado e a temperatura interna está correta.
- Se o indicador de temperatura ficar BRANCO, significa que a temperatura está demasiado alta; neste caso, aumente a definição do controlo de temperatura do frigorífico e aguarde 12 horas antes de voltar a inspecionar visualmente o indicador. Quando tiverem sido colocados alimentos frescos ou a porta tiver sido deixada aberta, é possível que o indicador de temperatura fique BRANCO após algum tempo.

PT

ΕΥΧΑΡΙΣΤΙΕΣ

Σας ευχαριστούμε που επιλέξατε την Midea! Πρωτού χρησιμοποιήσετε το νέο σας προϊόν της Midea, διαβάστε προσεκτικά αυτό το εγχειρίδιο για να βεβαιωθείτε ότι γνωρίζετε πώς να χειρίζεστε τις δυνατότητες και τις λειτουργίες που προσφέρει η νέα σας συσκευή με ασφάλεια.

ΠΕΡΙΕΧΟΜΕΝΑ

ΕΥΧΑΡΙΣΤΙΕΣ -----	01
ΠΡΟΔΙΑΓΡΑΦΕΣ -----	02
ΕΠΙΣΚΟΠΗΣΗ ΠΡΟΪΟΝΤΟΣ -----	03
ΕΓΚΑΤΑΣΤΑΣΗ ΠΡΟΪΟΝΤΟΣ -----	04
ΟΔΗΓΙΕΣ ΛΕΙΤΟΥΡΓΙΑΣ -----	11
ΚΑΘΑΡΙΣΜΟΣ ΚΑΙ ΣΥΝΤΗΡΗΣΗ -----	15
ΑΝΤΙΜΕΤΩΠΙΣΗ ΠΡΟΒΛΗΜΑΤΩΝ -----	16
ΠΑΡΑΡΤΗΜΑ -----	18

GR

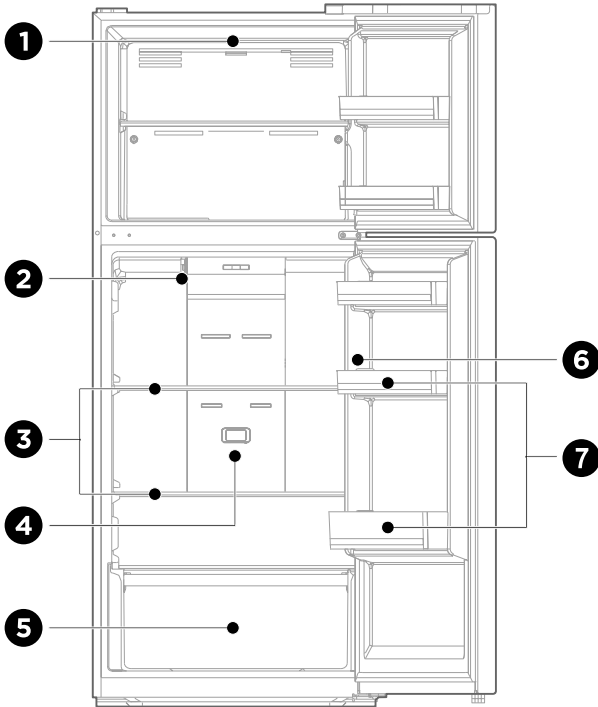
ΠΡΟΔΙΑΓΡΑΦΕΣ

Μοντέλο προϊόντος	MDRT489MTE
Όνομαστική τάση/Συχνότητα	220-240V~/50Hz
Όνομαστικό ρεύμα	0,7A
Συνολικός όγκος	338L
Όγκος φρέσκων τροφίμων	254L
Όγκος θαλάμου τεσσάρων αστέρων	84L
Ικανότητα κατάψυξης	3,9 κιλά/24 ώρες
Χρόνος ανόδου θερμοκρασίας	10 ώρες
Συνολικές διαστάσεις (Π x Β x Υ)	595x695x1724mm
Μοντέλο προϊόντος	MDRT580MTE
Όνομαστική τάση/Συχνότητα	220-240V~/50Hz
Όνομαστικό ρεύμα	1,5A
Συνολικός όγκος	413L
Όγκος φρέσκων τροφίμων	306L
Όγκος θαλάμου τεσσάρων αστέρων	107L
Ικανότητα κατάψυξης	5 κιλά/24 ώρες
Χρόνος ανόδου θερμοκρασίας	10 ώρες
Συνολικές διαστάσεις (Π x Β x Υ)	700x670x1723mm
Μοντέλο προϊόντος	MDRT645MTE
Όνομαστική τάση/Συχνότητα	220-240V~/50Hz
Όνομαστικό ρεύμα	1,2A
Συνολικός όγκος	463L
Όγκος φρέσκων τροφίμων	356L
Όγκος θαλάμου τεσσάρων αστέρων	107L
Ικανότητα κατάψυξης	5 κιλά/24 ώρες
Χρόνος ανόδου θερμοκρασίας	10 ώρες
Συνολικές διαστάσεις (Π x Β x Υ)	700x691x1880mm

GR

ΕΠΙΣΚΟΠΗΣΗ ΠΡΟΪΟΝΤΟΣ

Όνομασία των εξαρτημάτων



- | | | | |
|---|------------------------------------|---|----------------------|
| 1 | Λυχνία LED | 5 | Φρουτοθήκη |
| 2 | Ρυθμιστικό προσαρμογής αποσβεστήρα | 6 | Έλεγχος θερμοκρασίας |
| 3 | Ράφι | 7 | Ράφι πόρτας |
| 4 | Διάταξη απόσμισης | | |

● ΠΡΟΣΟΧΗ

Η παραπάνω εικόνα προορίζεται μόνο για σκοπούς αναφοράς. Η διαμόρφωση εξαρτάται από το εκάστοτε προϊόν ή τη δήλωση του διανομέα.

GR

ΕΓΚΑΤΑΣΤΑΣΗ ΠΡΟΪΟΝΤΟΣ

Οδηγίες εγκατάστασης

Για συσκευές ψύξης με κλιματική κλάση

- Ανάλογα με την κλιματική κλάση, αυτή η ψυκτική συσκευή προορίζεται για χρήση σε εύρος θερμοκρασίας περιβάλλοντος όπως αυτό που καθορίζεται στον ακόλουθο πίνακα.
- Η κλιματική κλάση βρίσκεται στην πινακίδα χαρακτηριστικών. Το προϊόν ενδέχεται να μην λειτουργεί σωστά σε θερμοκρασίες εκτός του καθορισμένου εύρους.
- Μπορείτε να βρείτε την κλιματική κλάση στην ετικέτα του προϊόντος.

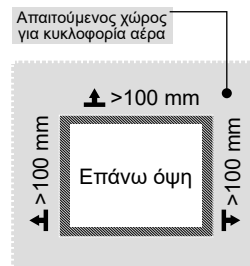
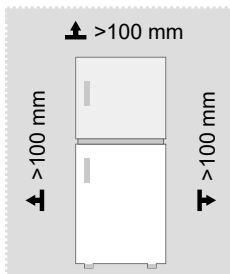
Εύρος θερμοκρασίας λειτουργίας

- Το προϊόν έχει σχεδιαστεί να λειτουργεί κανονικά εντός του εύρους θερμοκρασίας που καθορίζεται από τον βαθμό κλάσης του.

Κατηγορία	Σύμβολο	Εύρος θερμοκρασίας περιβάλλοντος °C	
		IEC 62552 (ISO 15502)	ISO 8561
Εκτεταμένο εύκρατο	SN	+ 10 έως + 32	+ 10 έως + 32
Εύκρατο	N	+ 16 έως + 32	+ 16 έως + 32
Υποτροπικό	ST	+ 16 έως + 38	+ 18 έως + 38
Τροπικό	T	+ 16 έως + 43	+ 18 έως + 43

Διαστάσεις και αποστάσεις

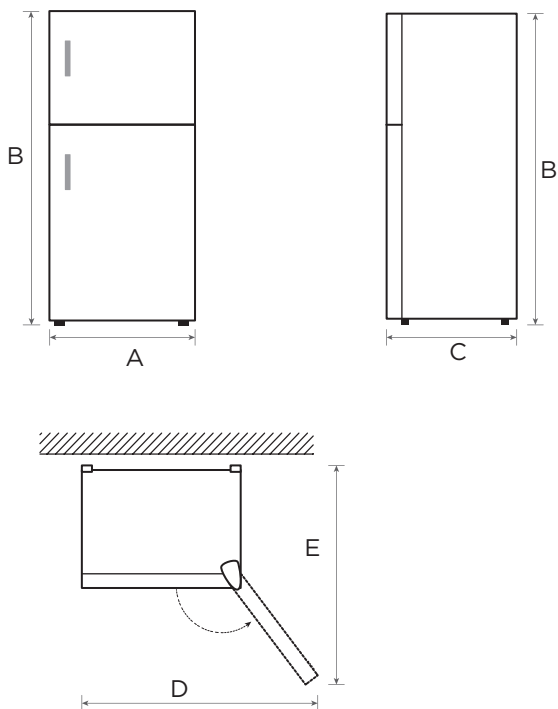
- Οι υπερβολικά μικρές αποστάσεις από παρακείμενα αντικείμενα ενδέχεται να οδηγήσουν σε υποβάθμιση της ικανότητας κατάψυξης και σε αυξημένη κατανάλωση ηλεκτρικής ενέργειας. Κατά την εγκατάσταση της συσκευής, αφήστε απόσταση πάνω από 100 mm από κάθε παρακείμενο τοίχο.



ΠΡΟΣΟΧΗ

Η παραπάνω εικόνα προορίζεται μόνο για σκοπούς αναφοράς. Η διαμόρφωση εξαρτάται από το εκάστοτε προϊόν ή τη δήλωση του διανομέα.

Διάγραμμα απαιτούμενου χώρου (όταν η πόρτα είναι ανοιχτή και όταν η πόρτα είναι κλειστή)




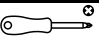
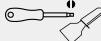

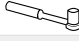



GR

Μοντέλο προϊόντος	Πλάτος	Συνολικό ύψος	Βάθος	Πλάτος με τις πόρτες ανοιχτές 135°	Βάθος με τις πόρτες ανοιχτές 135°
	A	B	C	D	E
MDRT489MTE	595	1724	695	997	1137
Μοντέλο προϊόντος	Πλάτος	Συνολικό ύψος	Βάθος	τις πόρτες ανοιχτές 125°	τις πόρτες ανοιχτές 125°
	A	B	C	D	E
MDRT580MTE	700	1723	670	1085	1252
MDRT645MTE	700	1880	691	1085	1252

Σημείωση: Όλες οι διαστάσεις είναι σε mm

Αλλαγή αριστερής-δεξιάς τοποθέτησης πόρτας

Λίστα εργαλείων που πρέπει να παρέχονται από τον χρήστη

		Κλειδί Allen-Σταυροκατσάβιδο
		Σπάτουλα Κατσαβίδι με λεπτή λεπίδα
		Σωληνωτό κλειδί 5/16"
		Ταινία κάλυψης

Ανταλλακτικά που πρέπει να χρησιμοποιηθούν για αντιστροφή του ανοίγματος πόρτας

SN	Εξαρτήματα	Ποσότητα
1	Επάνω δεξιός μεντεσές	1
2	Κάλυμμα επάνω δεξιού μεντεσέ	1
3	Περιβλημα άξονα επάνω μεντεσέ	1
4	Βίδα επάνω μεντεσέ	3
5	Κάλυμμα οπής	1
6	Βίδα μεσαίου μεντεσέ	2
7	Μεσαίος μεντεσές	1
8	Πώμα	2
9	Βίδα μεσαίας δοκού	1
10	Πώμα βίδας μεσαίας δοκού	1
11	Ρυθμιζόμενο πόδι	1
12	Βίδα κάτω μεντεσέ	3
13	Διάταξη κάτω μεντεσέ	1
14	Βίδα καλύμματος κάτω άκρου της πόρτας καταψύκτη	1
15	Στοπ καλύμματος κάτω άκρου πόρτας κατάψυξης	1
16	Βίδα καλύμματος κάτω άκρου της πόρτας ψυγείου	1
17	Στοπ καλύμματος κάτω άκρου πόρτας ψυγείου	1
18	Περιβλημα καλύμματος άξονα επάνω άκρου πόρτας ψυγείου	1
19	Κάτω στήριξη πόρτας ψυγείου	1
20	Πακέτο εξαρτημάτων	4
21	Αυτόματο κλειδωμα της δεξιάς πόρτας	1

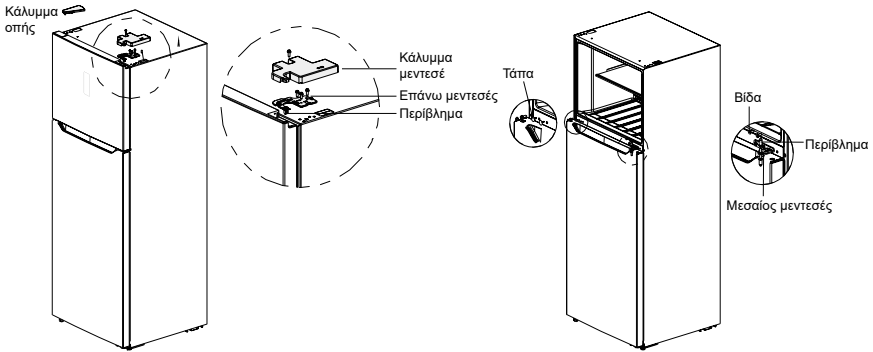
Σημειώσεις:

1-19/Προεγκατεστημένα στο ψυγείο για χρήση κατά την αντιστροφή της πόρτας

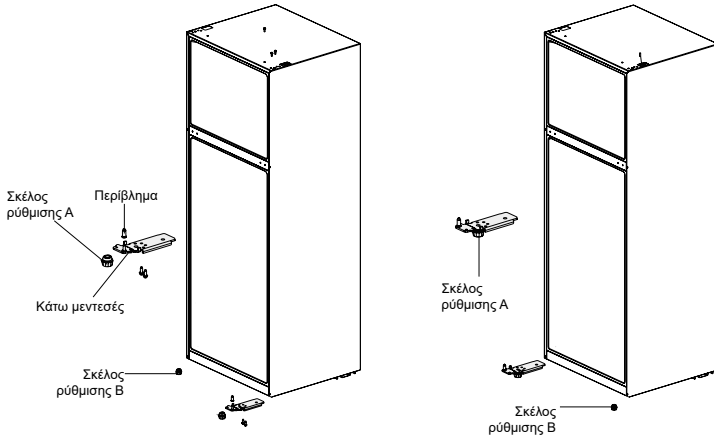
20/Αριστερός επάνω μεντεσές, κάλυμμα αριστερού επάνω μεντεσέ, αυτόματο κλειδωμα αριστερής πόρτας, αριστερό διακοσμητικό κάλυμμα

21/Προεγκατεστημένο στο ψυγείο, αφαιρέστε και αποθηκεύστε το κατά την αντιστροφή της πόρτας

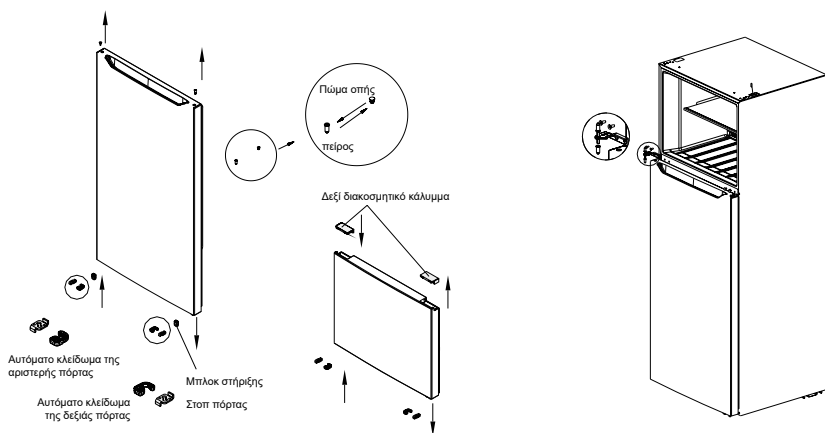
1. Απενεργοποιήστε τη συσκευή προτού εκτελέσετε αυτήν τη λειτουργία.
2. Αφαιρέστε το κάλυμμα μεντεσέ και βιδώστε το στην επάνω δεξιά πλευρά του κουτιού, βιδώστε τον επάνω μεντεσέ και το κάλυμμα οπής στην αριστερή πλευρά.



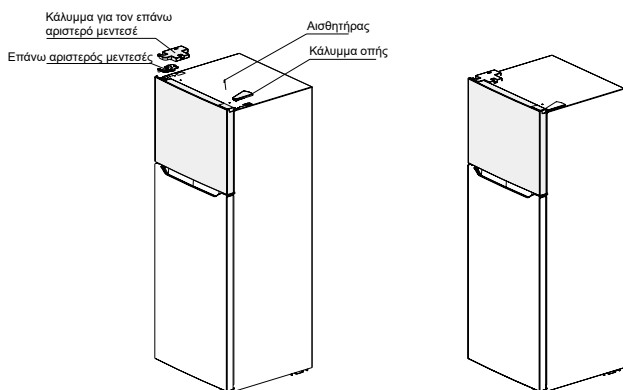
- Ξεβιδώστε τη βίδα μεντεσέ, αφαιρέστε τον μεσαίο μεντεσέ και το περιβλημα του επάνω άξονα, τοποθετήστε τα δύο καλύμματα των οπών μεντεσέ (πείροι) στον μεσαίο μεντεσέ και αφαιρέστε το σώμα της πόρτας του θαλάμου ψυγείου προς τα πάνω.
- Τοποθετήστε τον άξονα του μεντεσέ και το περιβλημα του άξονα στην αριστερή οπή του κάτω μεντεσέ και, στη συνέχεια, τον κάτω μεντεσέ στην αριστερή γωνία του ψυγείου. Στη συνέχεια, το σκέλος ρύθμισης A σύμφωνα με τη θέση που φαίνεται στο σχήμα, και τέλος το σκέλος ρύθμισης B στην δεξιά κάτω γωνία του ψυγείου.



- Αποσυναρμολογήστε το στοπ πόρτας του σώματος των δύο πορτών και τις βίδες αυτόματου κλειδώματος της δεξιάς πόρτας και, στη συνέχεια, αφαιρέστε το αυτόματο κλειδίωμα της αριστερής πόρτας από την σάντα εξαρτημάτων και τοποθετήστε το στην αριστερή γωνία του σώματος της πόρτας μαζί με το στοπ της πόρτας. Αφαιρέστε το κάτω μπλοκ στήριξης του σώματος της πόρτας του θαλάμου ψύξης και τοποθετήστε το στην κάτω αριστερή γωνία. Αφαιρέστε το δεξί διακοσμητικό κάλυμμα από την πόρτα του θαλάμου ψύξης και πάρτε το αριστερό διακοσμητικό κάλυμμα από την σάντα εξαρτημάτων και τοποθετήστε το.



6. Τοποθετήστε την πόρτα του θαλάμου ψύξης στον κάτω μεντεσέ, τον μεσαίο μεντεσέ στην αριστερή πλευρά του ψυγείου, σφίξτε τις βίδες και εγκαταστήστε καλά το περιβλήμα του άξονα. Τοποθετήστε τον πείρο στην οπή της μεσαίας δοκού στο άλλο άκρο.
7. Τοποθετήστε την πόρτα του καταψύκτη στον μεσαίο μεντεσέ, βγάλτε τον αριστερό επάνω μεντεσέ και το κάλυμμα για τον πάνω αριστερό μεντεσέ από την τσάντα εξαρτημάτων, εγκαταστήστε τον αριστερό μεντεσέ και σφίξτε τις βίδες, τοποθετήστε το κάλυμμα για τον επάνω αριστερό μεντεσέ και σφίξτε τη βίδα, εγκαταστήστε τον δεξιό αισθητήρα στο αρχικό κάλυμμα της αριστερής οπής και, στη συνέχεια, στερεώστε το κάλυμμα της οπής στο δεξιό κουτί.
8. Μετά την ολοκλήρωση της εγκατάστασης.



Η παραπάνω εικόνα προορίζεται μόνο για σκοπούς αναφοράς. Η διαμόρφωση εξαρτάται από το εκάστοτε προϊόν ή τη δήλωση του διανομέα.



Πόδια οριζοντίωσης

Για την αποφυγή κραδασμών, η μονάδα πρέπει να είναι οριζοντιωμένη.

Εάν απαιτείται, ρυθμίστε τις βίδες οριζοντίωσης για να αντισταθμίσετε τυχόν ανωμαλίες του δαπέδου.

Το μπροστινό μέρος πρέπει να είναι ελαφρώς ψηλότερα από το πίσω μέρος, προκειμένου να διευκολύνεται το κλείσιμο της πόρτας.

Οι βίδες οριζοντίωσης μπορούν να περιστραφούν εύκολα γέροντας ελαφρά τον θάλαμο.

Περιστρέψτε τις βίδες οριζοντίωσης αριστερόστροφα  για να ανυψώσετε τη μονάδα και δεξιόστροφα  για να τη χαμηλώσετε.

Μετακίνηση της συσκευής

1. Αφαιρέστε όλα τα τρόφιμα από τη συσκευή.
2. Αποσυνδέστε το φινιρ τροφοδοσίας, τοποθετήστε και στερεώστε το στο άγκιστρο του φινιρ τροφοδοσίας στο πίσω ή στο επάνω μέρος της συσκευής.
3. Ασφαλίστε με κολλητική ταινία τα κινούμενα μέρη, όπως τα ράφια και λαβή της πόρτας, ώστε να μην πέσουν κατά τη μετακίνηση της συσκευής.
4. Μετακινήστε προσεκτικά τη συσκευή με τουλάχιστον από δύο άτομα. Κατά τη μεταφορά της συσκευής σε μεγάλη απόσταση, κρατήστε τη συσκευή σε όρθια θέση.
5. Μετά την εγκατάσταση της συσκευής, συνδέστε το βύσμα τροφοδοσίας σε μια πρίζα για να ενεργοποιήσετε τη συσκευή.

ΠΡΟΣΟΧΗ

Προφυλάξτε πριν από τη λειτουργία:

Αποσυνδέστε το ψυγείο από το ρεύμα προτού κάνετε αλλαγές.

Πρέπει να ληφθούν προφυλάξεις για την αποφυγή τραυματισμού.

Αλλαγή λυχνίας

- Οποιαδήποτε αντικατάσταση ή συντήρηση των λυχνιών LED προορίζεται να εκτελείται από τον κατασκευαστή, τον αντιπρόσωπο σέρβις ή αντίστοιχα εξουσιοδοτημένα άτομα.

ΠΡΟΣΟΧΗ

MDRT489MTE περιέχει πηγή φωτός ενεργειακής ενεργειακής κλάσης (F).

MDRT580MTE/MDRT645MTE περιέχει δύο φωτεινές πηγές ενεργειακής απόδοσης (F).

Σύνδεση της συσκευής

Μετά την εγκατάσταση της συσκευής, συνδέστε το βύσμα τροφοδοσίας σε μια πρίζα.

ΠΡΟΣΟΧΗ

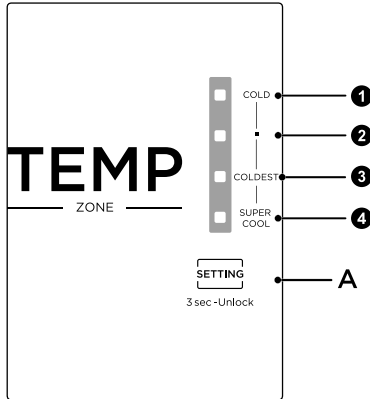
Αφού συνδέσετε το καλώδιο τροφοδοσίας (ή το φινιρ) στην πρίζα, περιμένετε 2 ή 3 ώρες προτού τοποθετήσετε τρόφιμα στη συσκευή. Εάν προσθέσετε τρόφιμα προτού η συσκευή ψυχθεί εντελώς, τα τρόφιμά σας ενδέχεται να χαλάσουν.

Συμβουλές εξοικονόμησης ενέργειας

- Μην τοποθετείτε τη συσκευή κοντά σε μαγειρικές εστίες, καλοριφέρ ή άλλες πηγές θερμότητας. Αν η θερμοκρασία περιβάλλοντος είναι υψηλή, ο συμπιεστής ενεργοποιείται συχνότερα και για μεγαλύτερο χρονικό διάστημα, με αποτέλεσμα να αυξάνεται η κατανάλωση ενέργειας.
- Βεβαιωθείτε ότι η βάση, τα πλάγια και το πίσω μέρος της συσκευής αερίζονται επαρκώς. Μην καλύπτετε ποτέ τα ανοίγματα αερισμού.
- Τηρείτε, επίσης, τις αποστάσεις του κεφαλαίου «Εγκατάσταση».
- Ο τρόπος διάταξης των συρταριών, των ραφιών και των σχαρών στην εικόνα εξασφαλίζει την αποδοτικότερη αξιοποίηση της ενέργειας και, επομένως, πρέπει να ακολουθείται κατά το δυνατόν. Όλα τα συρτάρια και τα ράφια πρέπει να παραμένουν στη συσκευή για τη διατήρηση σταθερής θερμοκρασίας και την εξοικονόμηση ενέργειας.
- Για περισσότερο χώρο αποθήκευσης (π.χ. για μεγάλα νωπά/κατεψυγμένα τρόφιμα) μπορείτε να αφαιρέσετε τα μεσαία συρτάρια. Τα πάνω και τα κάτω συρτάρια και ράφια πρέπει να αφαιρούνται τελευταία, αν χρειάζεται.
- Όταν ο θάλαμος ψύξης/κατάψυξης γεμίζει ομοιόμορφα, βελτιστοποιείται η κατανάλωση ενέργειας. Επομένως, μην αφήνετε τα επιμέρους τμήματα άδεια ή μισογεμάτα.
- Αφήνετε τα ζεστά τρόφιμα να παγώσουν πριν τα τοποθετήσετε στο ψυγείο/την κατάψυξη. Όταν τα τρόφιμα είναι κρύα, αυξάνεται η ενεργειακή απόδοση.
- Ξεπαγώνετε τα κατεψυγμένα τρόφιμα στο ψυγείο. Η χαμηλή θερμοκρασία των κατεψυγμένων τροφίμων μειώνει την κατανάλωση ενέργειας στον θάλαμο ψύξης, αυξάνοντας έτσι την ενεργειακή απόδοση.
- Ανοίγετε την πόρτα μόνο στον βαθμό που είναι απαραίτητο για ελαχιστοποίηση της απώλειας ψύξης. Ανοίγοντας την πόρτα για σύντομα χρονικά διαστήματα και κλείνοντάς την σωστά μειώνεται η κατανάλωση ενέργειας.
- Τα παρεμβύσματα πόρτας της συσκευής σας πρέπει να βρίσκονται σε άριστη κατάσταση, ώστε οι πόρτες να κλείνουν σωστά και να μην αυξάνεται χωρίς λόγο η κατανάλωση ενέργειας.

ΟΔΗΓΙΕΣ ΛΕΙΤΟΥΡΓΙΑΣ

Πίνακας ελέγχου



Πλήκτρο

- Ρύθμιση 1 (COLD)
- Ρύθμιση 2 (MID)
- Ρύθμιση 3 (COLDEST)
- Ρύθμιση 4 (SUPER COOL)
- Setting A (Κουμπί ρύθμισης θερμοκρασίας θαλάμου ψύξης)

ΠΡΟΣΟΧΗ

Ο πραγματικός πίνακας ελέγχου ενδέχεται να διαφέρει από μοντέλο σε μοντέλο.

Οθόνη

- Όταν τροφοδοτείτε το ψυγείο για πρώτη φορά, η οθόνη ανάβει για 3 δευτερόλεπτα και, στη συνέχεια, το ψυγείο λειτουργεί σύμφωνα με τη ρύθμιση 3. Σε περίπτωση βλάβης, το αντίστοιχο LED αναβοσβήνει. Σε περίπτωση που δεν υπάρχει βλάβη, δείχνει την πραγματική ρύθμιση θερμοκρασίας του ψυγείου.

Κωδικός σφάλματος	Περιγραφή σφάλματος
Ένδειξη ρύθμισης 3 και ρύθμισης 4	Σφάλμα αισθητήρα θερμοκρασίας του θαλάμου ψύξης
Ένδειξη ρύθμισης 2 και ρύθμισης 4	Σφάλμα αισθητήρα απόψυξης του θαλάμου κατάψυξης
Ένδειξη ρύθμισης 1 και ρύθμισης 4	Σφάλμα αισθητήρα θερμοκρασίας περιβάλλοντος

Ρύθμιση θερμοκρασίας

- Κάθε φορά που πατάτε το κουμπί ρύθμισης θερμοκρασίας (A), η ρύθμιση θερμοκρασίας αλλάζει. Όταν ολοκληρωθεί η ρύθμιση θερμοκρασίας, το ψυγείο αρχίζει να λειτουργεί σύμφωνα με τη νέα ρύθμιση μετά από 15 δευτερόλεπτα.
- Η ρύθμιση αλλάζει με αυτή τη σειρά:

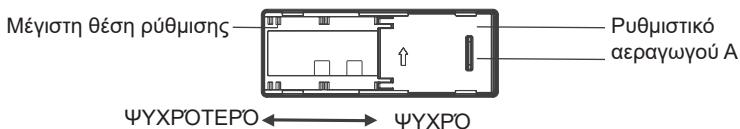


Κλειδωμα/ξεκλειδωμα

- Πατήστε παρατεταμένα το πλήκτρο TEMP για 3 δευτερόλεπτα για να ξεκλειδώσετε και 30 δευτερόλεπτα για να κλειδώσετε αυτόματα το ψυγείο.

Ρυθμιστικό προσαρμογής αποσβεστήρα

- Η θερμοκρασία στο εσωτερικό του θαλάμου κατάψυξης μπορεί να ρυθμιστεί αλλάζοντας τη θέση του ρυθμιστικού του αεραγωγού. Η αρχική θέση του ρυθμιστικού του αεραγωγού είναι η θέση A. Εάν απαιτείται χαμηλότερη θερμοκρασία στο εσωτερικό του θαλάμου κατάψυξης, μπορείτε να ρυθμίσετε το ρυθμιστικό του αεραγωγού από τη θέση A προς τα αριστερά.
- Για καλύτερη χρήση του ψυγείου, συνιστάται να διατηρείτε το ρυθμιστικό του αεραγωγού στην αρχική του θέση.



Διακοπή χρήσης

- **Διακοπή ρεύματος:** Σε περίπτωση διακοπής ρεύματος, ακόμα κι αν είναι το καλοκαίρι, τα τρόφιμα μέσα στη συσκευή μπορούν να διατηρηθούν για αρκετές ώρες. Κατά τη διάρκεια της διακοπής ρεύματος, οι χρόνοι ανοίγματος της πόρτας πρέπει να μειωθούν και δεν θα πρέπει να τοποθετούνται επιπλέον φρέσκα τρόφιμα μέσα στη συσκευή.
- **Παρατεταμένη διακοπή χρήσης:** Η συσκευή πρέπει να αποσυνδεθεί από το ρεύμα και μετά να καθαριστεί. Στη συνέχεια οι πόρτες αφήνονται ανοιχτές για να αποφευχθεί η δημιουργία οσμών.

Συμβουλές για τη συντήρηση τροφίμων

Θάλαμος κατάψυξης

- Η κατάψυξη προορίζεται για την αποθήκευση τροφίμων τα οποία καταψύχονται σε πολύ χαμηλή θερμοκρασία, μακροπρόθεσμη αποθήκευση κατεψυγμένων τροφίμων και παραγωγή πάγου.
- Χρησιμοποιείτε τα ράφια στην πόρτα της κατάψυξης μόνο για την αποθήκευση κατεψυγμένων τροφίμων, όχι για την αποθήκευση ζεστών τροφίμων που θέλετε να καταψύξετε.
- Μην τοποθετείτε τα φρέσκα τρόφιμα δίπλα στα κατεψυγμένα. Μπορεί τα κατεψυγμένα τρόφιμα να ξεπαγώσουν.
- Προτού καταψύξετε τα φρέσκα τρόφιμα (όπως κρέας, ψάρι ή κιμά), κόψτε τα σε μέρη μεγέθους που υπολογίζετε ότι πρόκειται να καταναλώσετε σε ένα γεύμα.
- Αποθήκευση κατεψυγμένων τροφίμων: οι σχετικές οδηγίες υποδεικνύονται συνήθως στις συσκευασίες και πρέπει να ακολουθούνται. Αν δεν υπάρχουν πληροφορίες στη συσκευασία, μην αποθηκεύετε τα τρόφιμα για πάνω από τρεις μήνες από την ημερομηνία αγοράς.
- Κατά την αγορά κατεψυγμένων τροφίμων διασφαλίζετε ότι αυτά έχουν τη σωστή θερμοκρασία κατάψυξης και ότι η συσκευασία τους δεν έχει υποστεί ζημιά.
- Τα κατεψυγμένα τρόφιμα πρέπει να τοποθετούνται σε κατάλληλες συσκευασίες για τη διατήρηση της ποιότητάς τους και να επανατοποθετούνται στον θάλαμο κατάψυξης το συντομότερο δυνατόν.
- Αν η συσκευασία των κατεψυγμένων τροφίμων έχει υγρασία ή φουσκώνει ασυνήθιστα, είναι πιθανόν τα τρόφιμα να αποθηκεύτηκαν σε λανθασμένη θερμοκρασία και να έχουν χαλάσει.
- Η περίοδος αποθήκευσης των κατεψυγμένων τροφίμων εξαρτάται από τη θερμοκρασία δωματίου, τη ρύθμιση του θερμοστάτη, τη συχνότητα ανοίγματος της πόρτας της κατάψυξης, τον τύπο των τροφίμων και τον χρόνο μεταφοράς του προϊόντος από το κατάστημα στο σπίτι. Τηρείτε πάντα τις οδηγίες της συσκευασίας και μην υπερβαίνετε ποτέ τον μέγιστο χρόνο αποθήκευσης που υποδεικνύεται στη συσκευασία.

Θάλαμος ψύξης

- Για περιορισμό της υγρασίας και της επακόλουθης δημιουργίας πάγου μην τοποθετείτε ποτέ υγρά σε μη σφραγιστά δοχεία στο ψυγείο. Ο πάγος τείνει να συγκεντρώνεται στα ψυχρότερα μέρη του εξατμιστή. Η αποθήκευση υγρών σε δοχεία χωρίς καπάκι έχει ως αποτέλεσμα την ανάγκη τακτικότερης απόψυξης.
- Μην τοποθετείτε ποτέ θερμά τρόφιμα στο ψυγείο. Αφήστε τα πρώτα να παγώσουν σε θερμοκρασία δωματίου και, στη συνέχεια, τοποθετήστε τα στο ψυγείο, ώστε να διασφαλίσετε την επαρκή κυκλοφορία αέρα στο ψυγείο.
- Τα τρόφιμα ή τα δοχεία τροφίμων δεν πρέπει να ακουμπούν στο πίσω μέρος του ψυγείου, επειδή μπορεί να παγώσουν υπερβολικά και να κολλήσουν στον τοίχο του ψυγείου. Μην ανοίγετε τακτικά την πόρτα του ψυγείου.
- Μπορείτε να τοποθετήσετε κρέας και καθαρισμένο ψάρι (συσκευασμένα ή τυλιγμένα σε σελοφάν) στο ψυγείο, τα οποία θα πρέπει όμως να καταναλωθούν μέσα σε 1–2 ημέρες.
- Τα μη συσκευασμένα φρούτα και λαχανικά μπορούν να τοποθετηθούν στο μέρος που προορίζεται για φρέσκα φρούτα και λαχανικά.

ΠΡΟΣΟΧΗ

Η βέλτιστη ρύθμιση θερμοκρασίας των θαλάμων εξαρτάται από τη θερμοκρασία περιβάλλοντος. Η βέλτιστη θερμοκρασία που υποδεικνύεται παραπάνω βασίζεται σε θερμοκρασία περιβάλλοντος 25 °C.

Σειρά	ΤΥΠΟΣ θαλάμων	Στόχος θερμοκρασίας αποθήκευσης [°C]	Κατάλληλα τρόφιμα
1	Ψυγείο	+2 ~ +8	Αυγά, μαγειρεμένα τρόφιμα, συσκευασμένα τρόφιμα, φρούτα και λαχανικά, γαλακτοκομικά προϊόντα, κέικ, ποτά και άλλα τρόφιμα δεν είναι κατάλληλα για κατάψυξη. Θαλασσινά (ψάρια, γαρίδες, οστρακοειδή), προϊόντα γλυκού νερού και προϊόντα κρέατος (συνιστάται για 3 μήνες, όσο μεγαλύτερος είναι ο χρόνος αποθήκευσης, τόσο χειρότερη είναι η γεύση και η θρεπτική αξία), κατάλληλο για κατεψυγμένα φρέσκα τρόφιμα.
2	(***)*-Καταψύκτης	≤-18	Θαλασσινά (ψάρια, γαρίδες, οστρακοειδή), προϊόντα γλυκού νερού και προϊόντα κρέατος (συνιστάται για 3 μήνες, όσο μεγαλύτερος είναι ο χρόνος αποθήκευσης, τόσο χειρότερη είναι η γεύση και η θρεπτική αξία), κατάλληλο για κατεψυγμένα φρέσκα τρόφιμα.
3	***-Καταψύκτης	≤-18	Θαλασσινά (ψάρια, γαρίδες, οστρακοειδή), προϊόντα γλυκού νερού και προϊόντα κρέατος (συνιστάται για 3 μήνες, όσο μεγαλύτερος είναι ο χρόνος αποθήκευσης, τόσο χειρότερη είναι η γεύση και η θρεπτική αξία), κατάλληλο για κατεψυγμένα φρέσκα τρόφιμα.
4	**-Καταψύκτης	≤-12	Θαλασσινά (ψάρια, γαρίδες, οστρακοειδή), προϊόντα γλυκού νερού και προϊόντα κρέατος (συνιστάται για 3 μήνες, όσο μεγαλύτερος είναι ο χρόνος αποθήκευσης, τόσο χειρότερη είναι η γεύση και η θρεπτική αξία), κατάλληλο για κατεψυγμένα φρέσκα τρόφιμα.
5	*-Καταψύκτης	≤-6	Θαλασσινά (ψάρια, γαρίδες, οστρακοειδή), προϊόντα γλυκού νερού και προϊόντα κρέατος (συνιστάται για 3 μήνες, όσο μεγαλύτερος είναι ο χρόνος αποθήκευσης, τόσο χειρότερη είναι η γεύση και η θρεπτική αξία), κατάλληλο για κατεψυγμένα φρέσκα τρόφιμα.
6	0-αστέρια	-6 ~ 0	Φρέσκο χοιρινό, μοσχαρίσιο κρέας, ψάρι, κοτόπουλο, ορισμένα συσκευασμένα επεξεργασμένα τρόφιμα κ.λπ. (Συνιστάται να καταναλώνονται εντός της ίδιας ημέρας, κατά προτίμηση όχι περισσότερο από 3 ημέρες). Μερικώς επεξεργασμένα τρόφιμα με ενθυλακωμένα συστατικά (τρόφιμα χωρίς δυνατότητα κατάψυξης).
7	Ψύξη	-2 ~ +3	Νωπό/κατεψυγμένο χοιρινό, μοσχάρι, κοτόπουλο, προϊόντα γλυκού νερού, κ.λπ. (7 ημέρες κάτω από 0°C και πάνω από 0°C, συνιστάται η κατανάλωση εντός της ίδιας ημέρας, κατά προτίμηση όχι περισσότερο από 2 ημέρες). Θαλασσινά (κάτω από 0 για 15 ημέρες, δεν συνιστάται η αποθήκευση πάνω από 0°C.
8	Νωπά τρόφιμα	0 ~ +4	Φρέσκο χοιρινό, μοσχαρίσιο κρέας, ψάρι, κοτόπουλο, μαγειρεμένα τρόφιμα κ.λπ. (Συνιστάται η κατανάλωση εντός της ίδιας ημέρας, κατά προτίμηση όχι περισσότερο από 3 ημέρες)
9	Κρασί	+5 ~+20	Κόκκινο κρασί, λευκό κρασί, αφρώδης οίνος κ.λπ.

ΠΡΟΣΟΧΗ

αποθηκεύετε διαφορετικά τρόφιμα ανάλογα με τους θαλάμους ή τον στόχο θερμοκρασίας αποθήκευσης-του προϊόντος που αγοράσατε.

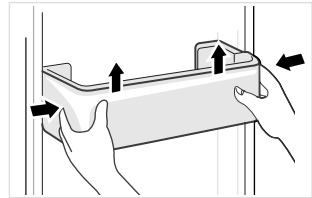
ΚΑΘΑΡΙΣΜΟΣ ΚΑΙ ΣΥΝΤΗΡΗΣΗ

Απόψυξη

- Το ψυγείο κατασκευάζεται με βάση την αρχή της ψύξης του αέρα και έτσι διαθέτει λειτουργία αυτόματης απόψυξης. Ο παγετός που σχηματίζεται λόγω αλλαγής εποχής ή θερμοκρασίας μπορεί επίσης να αφαιρεθεί χειροκίνητα με αποσύνδεση της συσκευής από την παροχή ρεύματος ή σκουπίζοντας με στεγνή πετσέτα.

Καθαρισμός ραφιού πόρτας

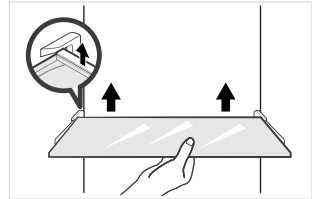
- Σύμφωνα με το βέλος κατεύθυνσης στο παρακάτω σχήμα, χρησιμοποιήστε και τα δύο χέρια για να συμπίεσετε το ράφι και να το σπρώξετε προς τα πάνω, ώστε να μπορέσετε να το αφαιρέσετε.
- Αφού πλύνετε το ράφι που έχετε αφαιρέσει, μπορείτε να προσαρμόσετε το ύψος τοποθέτησής του σύμφωνα με τις απαιτήσεις σας.



GR

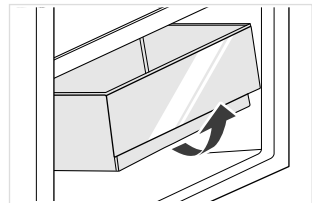
Καθαρισμός γυάλινου ραφιού

- Δεδομένου ότι το εσωτερικό μέρος της επένδυσης του ψυγείου όπου έρχεται σε επαφή με τα ράφια έχει οπίσθιο στήριγμα, θα πρέπει να σηκώσετε τα ράφια προς τα πάνω, ώστε να μπορέσετε να τα αφαιρέσετε.
- Ρυθμίστε ή καθαρίστε τα ράφια σύμφωνα με τις απαιτήσεις σας.



Καθαρισμός του συρταριού λαχανικών

1. Αφαιρέστε τα περιεχόμενα του συρταριού. Κρατήστε το χερούλι του συρταριού λαχανικών και τραβήξτε το εντελώς προς τα έξω έως ότου να σταματήσει.
2. Σηκώστε το συρτάρι λαχανικών προς τα πάνω και αφαιρέστε το τραβώντας το προς τα έξω.



ΠΡΟΣΟΧΗ

Για τον καθαρισμό συνιστάται η χρήση απαλού πανιού ή σφουγγαριού βουτηγμένου σε νερό και μη διαβρωτικών ουδέτερων καθαριστικών. Ο θάλαμος κατάψυξης πρέπει να καθαρίζεται με καθαρό νερό και στεγνό πανί. Ανοίξτε την πόρτα για να στεγνώσει το ψυγείο φυσικά πριν την ενεργοποίηση. Μην χρησιμοποιείτε σκληρές βούρτσες, σύρμα καθαρισμού, συρματόβουρτσες, διαβρωτικές ουσίες, όπως π.χ. οδοντόκρεμες, οργανικούς διαλύτες (π.χ. οινόπνευμα, ασετόν, έλαιο μπανάνας κτλ.), βραστό νερό και όξινα ή αλκαλικά διαλύματα για τον καθαρισμό του ψυγείου, επειδή μπορεί αυτά να προκαλέσουν ζημιά στην επιφάνεια και το εσωτερικό του.

ΑΝΤΙΜΕΤΩΠΙΣΗ ΠΡΟΒΛΗΜΑΤΩΝ

Τα παρακάτω απλά ζητήματα μπορούν να επιλυθούν από τον χρήστη. Καλέστε το τμήμα εξυπηρέτησης μετά την πώληση εάν τα προβλήματα παραμένουν.

Πρόβλημα	Πιθανή αιτία
Αποτυχία λειτουργίας	• Ελέγξτε εάν η συσκευή είναι συνδεδεμένη με το ρεύμα ή εάν το φως έχει καλή επαφή
	• Ελέγξτε εάν η τάση είναι πολύ χαμηλή
	• Ελέγξτε εάν υπάρχει διακοπή ρεύματος ή έχουν βραχυκυκλώσει κάποια κυκλώματα
Οσμή	• Τα τρόφιμα με έντονη μυρωδιά πρέπει να τυλίγονται σφιχτά
	• Ελέγξτε εάν έχουν χαλάσει κάποια τρόφιμα
	• Καθαρίστε το εσωτερικό του ψυγείου
Μακροχρόνια λειτουργία του συμπιεστή	• Οι μεγάλες περιόδους λειτουργίας του ψυγείου είναι φυσιολογικές το καλοκαίρι
	• όταν η θερμοκρασία περιβάλλοντος είναι υψηλή. Δεν ενδείκνυται να τοποθετείτε πολλά τρόφιμα στη συσκευή ταυτόχρονα
	• Τα τρόφιμα πρέπει να κρυώσουν πριν τοποθετηθούν στη συσκευή
Το φως δεν ανάβει	• Οι πόρτες ανοίγουν πολύ συχνά
	• Ελέγξτε εάν το ψυγείο είναι συνδεδεμένο στο ρεύμα και εάν το φως έχει υποστεί ζημιά
Η πόρτα δεν κλείνει σωστά	• Ζητήστε από έναν ειδικό να αντικαταστήσει τη λυχνία φωτός
	• Η πόρτα μαγκώνει από συσκευασίες τροφίμων. Έχουν τοποθετηθεί υπερβολικά πολλά τρόφιμα.
Δυνατός θόρυβος	• Το ψυγείο είναι κεκλιμένο.
	• Ελέγξτε εάν το δάπεδο είναι επίπεδο και αν το ψυγείο έχει τοποθετηθεί σταθερά
	• Ελέγξτε εάν τα εξαρτήματα έχουν τοποθετηθεί σε κατάλληλες θέσεις

Πρόβλημα	Πιθανή αιτία
Η στεγανοποίηση της πόρτας δεν είναι σφικτή	<ul style="list-style-type: none"> • Αφαιρέστε ξένα σώματα από τη σφράγιση της πόρτας • Θερμάνετε το λάστιχο της πόρτας και, στη συνέχεια, αφήστε το να ψυχθεί για αποκατάσταση (χρησιμοποιήστε ένα σεσουάρ μαλλιών ή μια ζεστή πετσέτα για να το θερμάνετε)
Υπερχείλιση του δίσκου νερού	<ul style="list-style-type: none"> • Υπάρχουν υπερβολικά πολλά τρόφιμα στον θάλαμο ή τα τρόφιμα που αποθηκεύονται περιέχουν πολύ νερό, με αποτέλεσμα έντονη απόψυξη • Οι πόρτες δεν έχουν κλείσει σωστά, με αποτέλεσμα να παγώνουν λόγω εισόδου αέρα και αυξημένου νερού λόγω απόψυξης
Ζεστό περίβλημα	<ul style="list-style-type: none"> • Απαγωγή θερμότητας του ενσωματωμένου συμπυκνωτή μέσω του περιβλήματος, κάτι που είναι φυσιολογικό. Εάν το περίβλημα ζεσταθεί λόγω υψηλής θερμοκρασίας περιβάλλοντος, αποθήκευση υπερβολικής ποσότητας τροφίμων ή διακοπής λειτουργίας του συμπιεστή, παρέχετε καλό εξαερισμό για διευκόλυνση της απαγωγής θερμότητας
Επιφανειακή συμπύκνωση υδρατμών	<ul style="list-style-type: none"> • Η συμπύκνωση υδρατμών στην εξωτερική επιφάνεια και τις στεγανοποιήσεις των πορτών του ψυγείου είναι φυσιολογική όταν η υγρασία περιβάλλοντος είναι πολύ υψηλή. Απλώς σκουπίστε την υγρασία με μια καθαρή πετσέτα.

ΠΑΡΑΡΤΗΜΑ

Ειδικό για το νέο ευρωπαϊκό πρότυπο

Τα εξαρτήματα στον παρακάτω πίνακα μπορούν να αποκτηθούν από το δίκτυο τεχνικής εξυπηρέτησης

Εξάρτημα παραγωγείας	Παρέχεται από	Ελάχιστος χρόνος που απαιτείται για παροχή
Θερμοστάτες	Επαγγελματικό προσωπικό συντήρησης	Τουλάχιστον 7 χρόνια μετά την κυκλοφορία του τελευταίου μοντέλου στην αγορά
Αισθητήρες θερμοκρασίας	Επαγγελματικό προσωπικό συντήρησης	Τουλάχιστον 7 χρόνια μετά την κυκλοφορία του τελευταίου μοντέλου στην αγορά
Πλακέτες τυπωμένων κυκλωμάτων	Επαγγελματικό προσωπικό συντήρησης	Τουλάχιστον 7 χρόνια μετά την κυκλοφορία του τελευταίου μοντέλου στην αγορά
Πηγή φωτός	Επαγγελματικό προσωπικό συντήρησης	Τουλάχιστον 7 χρόνια μετά την κυκλοφορία του τελευταίου μοντέλου στην αγορά
λαβές πόρτας	Επαγγελματίες τεχνικοί και τελικοί χρήστες	Τουλάχιστον 7 χρόνια μετά την κυκλοφορία του τελευταίου μοντέλου στην αγορά
Μεντεσέδες πόρτας	Επαγγελματίες τεχνικοί και τελικοί χρήστες	Τουλάχιστον 7 χρόνια μετά την κυκλοφορία του τελευταίου μοντέλου στην αγορά
Ράφια	Επαγγελματίες τεχνικοί και τελικοί χρήστες	Τουλάχιστον 7 χρόνια μετά την κυκλοφορία του τελευταίου μοντέλου στην αγορά
Καλάθια	Επαγγελματίες τεχνικοί και τελικοί χρήστες	Τουλάχιστον 7 χρόνια μετά την κυκλοφορία του τελευταίου μοντέλου στην αγορά
Λάστιχα πόρτας	Επαγγελματίες τεχνικοί και τελικοί χρήστες	Τουλάχιστον 10 χρόνια μετά την κυκλοφορία του τελευταίου μοντέλου στην αγορά

Αγαπητέ πελάτη

1. Εάν θέλετε να επιστρέψετε ή να αντικαταστήσετε το προϊόν, επικοινωνήστε με το κατάστημα αγοράς.

(Θυμηθείτε να φέρετε το τιμολόγιο αγοράς)

2. Εάν το προϊόν σας χαλάσει και πρέπει να επισκευαστεί, επικοινωνήστε με τον πάροχο υπηρεσιών μετά την πώληση.

ΠΡΟΣΟΧΗ

Μπορείτε να λάβετε τις πληροφορίες μοντέλου στη βάση δεδομένων του προϊόντος, καθώς επίσης και το αναγνωριστικό μοντέλου, μέσω μιας ιστοσελίδας, σαρώνοντας τον κωδικό QR, εάν υπάρχει, στην ετικέτα ενεργειακής απόδοσης του προϊόντος.

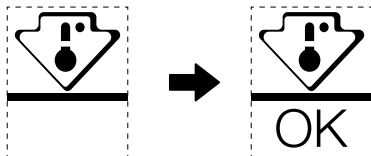
Για περισσότερες πληροφορίες σχετικά με την ενεργειακή απόδοση της συσκευής, επισκεφθείτε τη διεύθυνση <https://ec.europa.eu> και αναζητήστε χρησιμοποιώντας το όνομα του μοντέλου.

Το όνομα μοντέλου βρίσκεται στην ετικέτα αξιολόγησης της συσκευής.

Η ψυχρότερη ζώνη στο ψυγείο

ΠΡΟΑΙΡΕΤΙΚΑ: Ένδειξη θερμοκρασίας OK

- Η ένδειξη θερμοκρασίας OK μπορεί να χρησιμοποιηθεί για τον προσδιορισμό θερμοκρασιών κάτω από τους +4°C. Μειώστε σταδιακά τη θερμοκρασία εάν η ένδειξη δεν είναι «OK».



- Για να διασφαλίσετε τη θερμοκρασία σε αυτή την περιοχή, μην αλλάζετε τη θέση του ραφιού. Στα ψυγεία ροής αέρα (εξοπλισμένα με ανεμιστήρα ή μοντέλα No Frost), το σύμβολο της ψυχρότερης ζώνης δεν απεικονίζεται, επειδή η θερμοκρασία στο εσωτερικό είναι ομοιόμορφη.

Ρύθμιση ένδειξης θερμοκρασίας

- Για διευκόλυνση της σωστής ρύθμισης, το ψυγείο σας είναι εξοπλισμένο με μια ένδειξη θερμοκρασίας που παρακολουθεί τη μέση θερμοκρασία της ψυχρότερης ζώνης.
- ΠΡΟΕΙΔΟΠΟΙΗΣΗ: Αυτή η ένδειξη προορίζεται μόνο για λειτουργία με το ψυγείο σας, μην τη χρησιμοποιείτε σε άλλο ψυγείο (στην πραγματικότητα, η ψυχρότερη ζώνη δεν είναι η ίδια) ή για οποιαδήποτε άλλη χρήση.

Έλεγχος της θερμοκρασίας στην ψυχρότερη ζώνη

- Με την ένδειξη θερμοκρασίας, μπορείτε να ελέγχετε τακτικά ότι η θερμοκρασία της ψυχρότερης ζώνης είναι σωστή. Πράγματι, η εσωτερική θερμοκρασία του ψυγείου εξαρτάται από διάφορους παράγοντες, όπως η θερμοκρασία περιβάλλοντος του χώρου, η ποσότητα των αποθηκευμένων τροφίμων και η συχνότητα ανοίγματος της πόρτας. Λάβετε υπόψη σας αυτούς τους παράγοντες κατά τη ρύθμιση της συσκευής.
- Όταν η ένδειξη είναι «OK», σημαίνει ότι ο θερμοστάτης είναι ρυθμισμένος κατάλληλα και η θερμοκρασία στο εσωτερικό είναι σωστή.
- Εάν η ένδειξη της θερμοκρασίας γίνει ΛΕΥΚΗ, αυτό σημαίνει ότι η θερμοκρασία είναι πολύ υψηλή- σε αυτή την περίπτωση, αυξήστε τη ρύθμιση ελέγχου της θερμοκρασίας του ψυγείου και περιμένετε 12 ώρες προτού πραγματοποιήσετε νέο οπτικό έλεγχο της ένδειξης. Εάν έχουν τοποθετηθεί φρέσκα τρόφιμα ή η πόρτα έχει μείνει ανοιχτή, ενδέχεται να χρειαστεί λίγος χρόνος έως ότου η ένδειξη της θερμοκρασίας να γίνει ΛΕΥΚΗ.

LIST Z PODZIĘKOWANIEM

Dziękujemy za wybranie produktu Midea. Przed użyciem nowego produktu firmy Midea dokładnie zapoznaj się z niniejszą instrukcją, aby mieć pewność, że wiesz, jak bezpiecznie korzystać z funkcji oferowanych przez nowe urządzenie.

SPIS TREŚCI

LIST Z PODZIĘKOWANIEM	01
SPECYFIKACJE	02
INFORMACJE OGÓLNE O URZĄDZENIU	03
MONTAŻ PRODUKTU	04
INSTRUKCJA OBSŁUGI	11
CZYSZCZENIE I KONSERWACJA	15
ROZWIĄZYWANIE PROBLEMÓW	16
DODATEK	18

PL

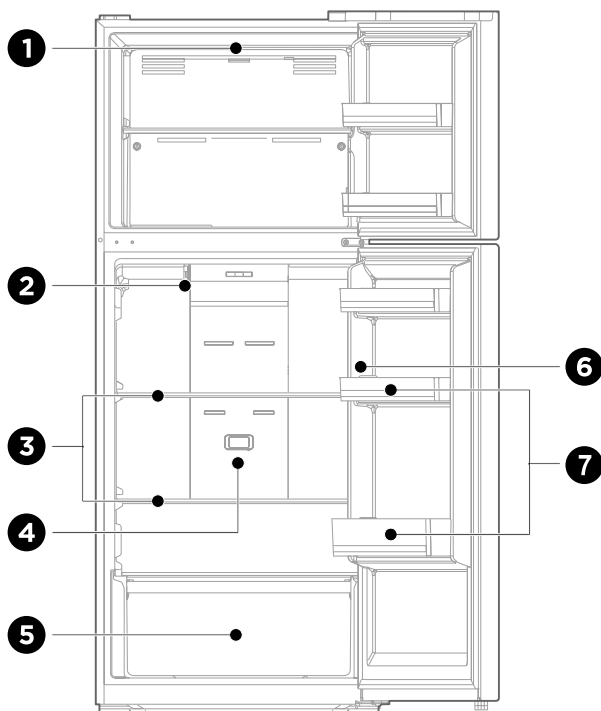
SPECYFIKACJE

Model produktu	MDRT489MTE
Napięcie znamionowe/częstotliwość	220-240 V~/50 Hz
Natężenie znamionowe	0,7 A
Łączna pojemność	338 L
Pojemność komory na żywność świeżą	254 L
Pojemność komory zamrażarki z czterema gwiazdkami	84 L
Pojemność zamrażarki	3,9 kg/24 godz.
Czas wzrostu temperatury	10 godz.
Wymiary ogólne (szer. x gł. x wys.)	595 x 695 x 1724 mm
Model produktu	MDRT580MTE
Napięcie znamionowe/częstotliwość	220-240 V~/50 Hz
Natężenie znamionowe	1,5 A
Łączna pojemność	413 L
Pojemność komory na żywność świeżą	306 L
Pojemność komory zamrażarki z czterema gwiazdkami	107 L
Pojemność zamrażarki	5 kg / 24 godz.
Czas wzrostu temperatury	10 godz.
Wymiary ogólne (szer. x gł. x wys.)	700 x 670 x 1723 mm
Model produktu	MDRT645MTE
Napięcie znamionowe/częstotliwość	220-240 V~/50 Hz
Natężenie znamionowe	1,2 A
Łączna pojemność	463 L
Pojemność komory na żywność świeżą	356 L
Pojemność komory zamrażarki z czterema gwiazdkami	107 L
Pojemność zamrażarki	5 kg / 24 godz.
Czas wzrostu temperatury	10 godz.
Wymiary ogólne (szer. x gł. x wys.)	700 x 691 x 1880 mm

PL

INFORMACJE OGÓLNE O URZĄDZENIU

Elementy



- | | | | |
|---|------------------------------|---|-----------------------------|
| 1 | Lampa LED | 5 | Pojemnik na owoce i warzywa |
| 2 | Suwak regulacji przepustnicy | 6 | Sterowanie temperaturą |
| 3 | Półka | 7 | Balkonik na drzwi |
| 4 | Dezodoryzator | | |

UWAGA

Powyższa ilustracja ma charakter poglądowy. Rzeczywista konfiguracja zależy od modelu bądź zamówienia dystrybutora.

MONTAŻ PRODUKTU

Instrukcja instalacji

Dla urządzeń chłodniczych z oznaczoną klasą klimatyczną

- W zależności od klasy klimatycznej niniejsze urządzenie chłodnicze jest przeznaczone do użytku w zakresach temperatur otoczenia podanych w poniższej tabeli.
- Klasę klimatyczną można znaleźć na tabliczce znamionowej. Produkt może nie działać prawidłowo w temperaturach spoza określonego zakresu.
- Klasę klimatyczną można znaleźć na etykiecie produktu.

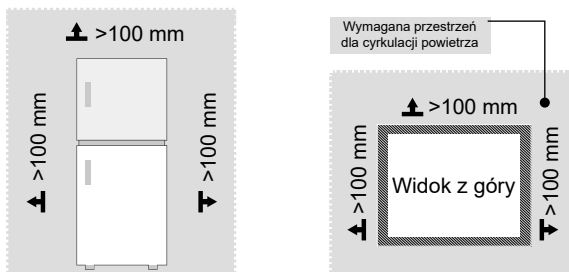
Zakres temperatury otoczenia

- Produkt został zaprojektowany do pracy w zakresie temperatur określonym przez jej klasę znamionową.

Klasa	Symbol	Zakres temperatury otoczenia (°C)	
		IEC 62552 (ISO 15502)	ISO 8561
Rozszerzona umiarkowana	SN	+10°C do +32°C	+10°C do +32°C
Umiarkowana	N	+16°C do +32°C	+16°C do +32°C
Subtropikalna	ST	+16°C do +38°C	+18°C do +38°C
Tropikalna	T	+16°C do +43°C	+18°C do +43°C

Wymiary i odstępy

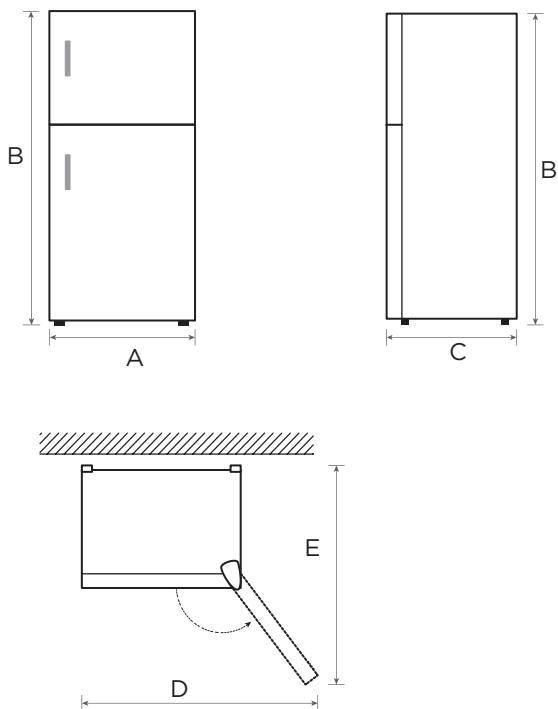
- Zbyt mały odstęp od pobliskich przedmiotów może spowodować obniżenie skuteczności mrożenia i zwiększenie kosztu energii elektrycznej. Podczas instalacji należy zapewnić ponad 100 mm odstępu od ścian wokół urządzenia.



UWAGA

Powyższa ilustracja ma charakter poglądowy. Rzeczywista konfiguracja zależy od modelu bądź zamówienia dystrybutora.

Schemat ilości wymaganego miejsca (zarówno z zamkniętymi, jak i otwartymi drzwiami)




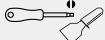


PL

Model produktu	Szerokość	Wysokość łączna	Głębokość	Szerokość z drzwiami otwartymi 135°	Głębokość z drzwiami otwartymi 135°
	A	B	C	D	E
MDRT489MTE	595	1724	695	997	1137
Model produktu	Szerokość	Wysokość łączna	Głębokość	Szerokość z drzwiami otwartymi 125°	Głębokość z drzwiami otwartymi 125°
	A	B	C	D	E
MDRT580MTE	700	1723	670	1085	1252
MDRT645MTE	700	1880	691	1085	1252

Uwaga: Wszystkie podane wymiary są wyrażone w mm.

Zmiana kierunku otwierania drzwi

Lista narzędzi, które musi zapewnić użytkownik

	Klucze imbusowe i wkrętak krzyżakowy
	Szpachelka i wkrętak płaski
	Klucz nasadowy 5/16"
	Taśma maskująca

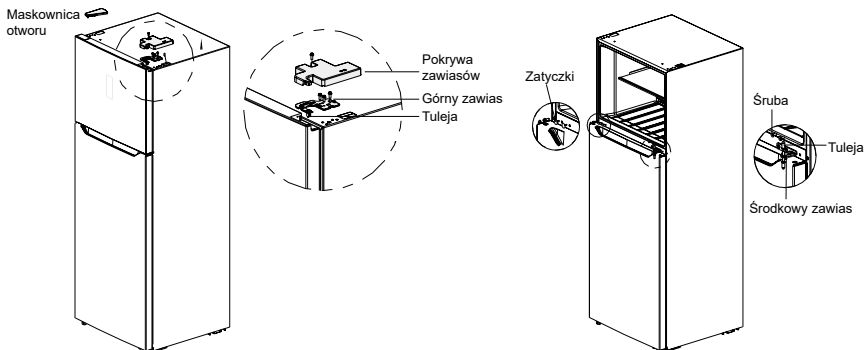
Elementy potrzebne podczas przekładania drzwi

SN	Części	Ilość
1	Górny prawy zawias	1
2	Maskownica górnego prawego zawiasu	1
3	Tuleja górnego zawiasu	1
4	Maskownica śruby zawiasu	3
5	Maskownica otworu	1
6	Śruba zawiasu środkowego	2
7	Środkowy zawias	1
8	Zatyczka otworu	2
9	Śruba poprzeczki środkowej	1
10	Zatyczka otworu śruby poprzeczki środkowej	1
11	Regulowana nóżka	1
12	Śruba zawiasu dolnego	3
13	Zestaw dolnego zawiasu	1
14	Dolna maskownica śruby drzwi komory zamrażarki	1
15	Dolna maskownica ogranicznika drzwi komory zamrażarki	1
16	Dolna maskownica śruby drzwi komory chłodziarki	1
17	Dolna maskownica ogranicznika drzwi komory chłodziarki	1
18	Górna maskownica tulei drzwi komory zamrażarki	1
19	Dolny wspornik drzwi komory chłodziarki	1
20	Pakiet akcesoriów	4
21	Mechanizm domykania drzwi (prawa strona)	1

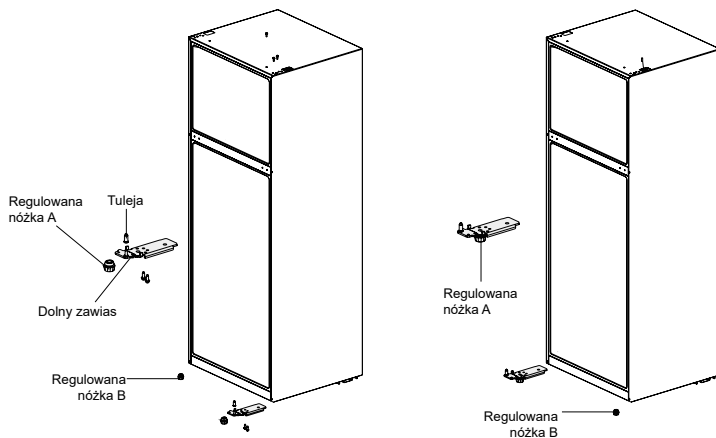
Uwagi:

1–19/Fabrycznie zainstalowane na lodówce; do użycia po instalacji drzwi po przeciwnej stronie.
20/Lewy górny zawias, maskownica lewego górnego zawiasu, mechanizm domykania drzwi (lewa strona), lewa pokrywa dekoracyjna
21/Fabrycznie zainstalowane na lodówce; demontowane podczas zmiany kierunku otwierania drzwi i zachowywane do późniejszego użycia.

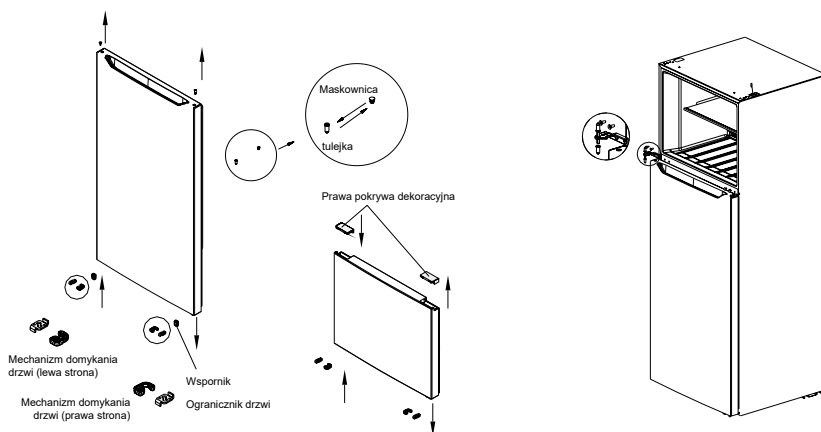
1. Przed przeprowadzeniem poniższych czynności należy wyłączyć urządzenie.
2. Zdemontować pokrywę zawiasu i wykręcić śrubę w prawym górnym rogu urządzenia, a także zdemontować górny zawias i maskownicę otworu po lewej stronie.



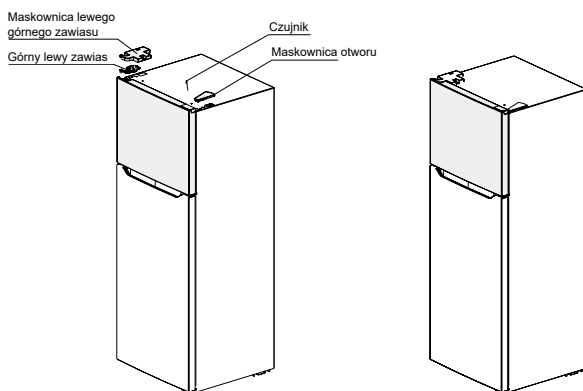
3. Wykręcić śrubę zawiasu, zdemontować środkowy zawias i tuleję górną. Rozdzielić dwie maskownice otworu zawiasu środkowego (zatyczki), a następnie zdjąć drzwi z komory chłodziarki, delikatnie unosząc je do góry.
4. Zamontować trzpień zawiasu i tuleję w lewym otworze dolnego zawiasu, a następnie zamocować lewy zawias w lewym dolnym rogu lodówki. Zamontować regulowaną nóżkę A zgodnie z pozycją pokazaną na rysunku, a potem regulowaną nóżkę B w prawym dolnym rogu lodówki.



5. Zdemontować ograniczniki z drzwi komory chłodziarki i zamrażarki, a także wykręcić śruby mechanizmu domykającego po prawej stronie drzwi. Z zestawu akcesoriów wyjąć mechanizm domykania (lewa strona) i zamontować go w lewym dolnym rogu drzwi wraz z ogranicznikiem. Zdemontować dolny wspornik z drzwi komory chłodziarki, a następnie zamocować go w lewym dolnym rogu urządzenia. Przygotować zatyczkę otworu i tuleję przeznaczone do drzwi komory chłodziarki i ustawić je odpowiednio, a następnie zamontować na drzwiach. Zdemontować prawą pokrywę dekoracyjną z drzwi komory chłodziarki, a potem wyjąć lewą pokrywę dekoracyjną z zestawu akcesoriów i zamocować ją na drzwiach.



6. Założyć drzwi komory chłodziarki na dolny zawias i środkowy zawias po lewej stronie lodówki, a następnie dokręcić śruby. Pamiętać o włożeniu tulei. Po drugiej stronie środkowej poprzeczki włożyć zatyczki w otwory.
7. Założyć drzwi komory zamrażarki na środkowy zawias. Wyjąć lewy górny zawias i maskownicę lewego zawiasu z zestawu akcesoriów. Zamocować lewy zawias i dokręcić go śrubami. Założyć maskownicę na lewy górny zawias i dokręcić śrubę. Zamontować prawy czujnik w lewej maskownicy otworu, a następnie włożyć ją do otworu po prawej stronie urządzenia.
8. Montaż drzwi i osprzętu został zakończony.



UWAGA

Powyższa ilustracja ma charakter poglądowy. Rzeczywista konfiguracja zależy od modelu bądź zamówienia dystrybutora.



Nóżki poziomujące

Aby zapobiec wibracjom, należy wypoziomować urządzenie.

W razie potrzeby wyregulować śruby poziomujące, aby skompensować nierówności podłoża.

Przód powinien być lekko uniesiony względem tyłu, aby zamykanie drzwi było łatwiejsze.

Aby ułatwić sobie przekręcanie śrub poziomujących, należy lekko pochylić urządzenie.

Obracać śruby poziomujące w lewo , aby podnieść urządzenie lub w prawo , aby urządzenie obniżyć.

Przemieszczanie urządzenia

1. Wyjąć wszystkie produkty z urządzenia.
2. Odłączyć wtyczkę zasilającą urządzenia od gniazda, umieścić i zablokować ją w uchwycie na wtyczkę z tyłu urządzenia lub na jego wierzchu.
3. Przymocować za pomocą taśmy samoprzylepnej elementy, takie jak półki i rączka drzwiczek, aby zapobiec ich wypadnięciu podczas przemieszczania urządzenia.
4. Urządzenie powinny przemieszczać dwie osoby, zachowując najwyższą ostrożność. Gdy urządzenie jest przemieszczane na dużą odległość, należy utrzymywać je w położeniu pionowym.
5. Po instalacji na miejscu podłączyć wtyczkę zasilającą do gniazda, aby włączyć urządzenie.

UWAGA

Środki ostrożności przed regulacją:

Przed wprowadzeniem zmian należy odłączyć lodówkę od zasilania.

Należy podjąć odpowiednie środki ostrożności, aby zapobiec obrażeniom ciała.

Wymiana źródła światła

- Wymiana lub konserwacja lamp LED powinna być wykonana przez producenta, podległy mu serwis lub podobny profesjonalny punkt usługowy.

UWAGA

MDRT489MTE zawiera źródło światła o klasie efektywności energetycznej (F).

MDRT580MTE/MDRT645MTE zawiera dwa źródła światła o klasie efektywności energetycznej (F).

Podłączanie urządzenia

Po instalacji na miejscu podłączyć wtyczkę zasilającą do gniazda.

UWAGA

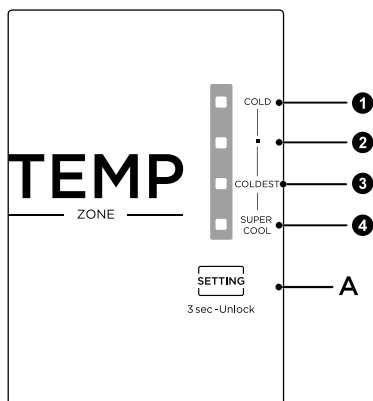
Po podłączeniu przewodu zasilającego (lub wtyczki) do gniazda poczekać 2 do 3 godzin przed umieszczeniem żywności w urządzeniu. Umieszczenie żywności przed schłodzeniem urządzenia może skutkować zepsuciem się żywności.

Wskazówki na temat oszczędzania energii

- Nie umieszczać urządzenia w pobliżu kuchенок, grzejników ani innych źródeł ciepła. Jeżeli temperatura otoczenia jest wysoka, sprężarka będzie pracować częściej i dłużej, co spowoduje wzrost zużycia energii.
- Upewnić się, że urządzenie ma zapewnioną odpowiednią wentylację, zostawiając odpowiednią ilość wolnego miejsca po bokach i z tyłu. Nigdy nie zakrywać otworów wentylacyjnych.
- Zachować też odstępy wspomniane w rozdziale „Montaż”.
- Układ szuflad, półek i półek drucianych pokazany na ilustracji zapewnia najwydajniejsze wykorzystanie energii, dlatego należy go zachować w jak największym stopniu. Wszystkie szuflady i półki należy zostawić w urządzeniu, aby zapewnić stabilność temperatury i oszczędzać energię.
- Aby uzyskać większą przestrzeń do przechowywania (np. na duże produkty mrożone/ chłodzone), można usunąć środkowe szuflady. Górne i dolne szuflady i półki należy wyjmować tylko w razie potrzeby.
- Równomierne wypełnienie komory lodówki/zamrażarki przyczynia się do optymalnego zużycia energii. W związku z tym należy unikać pustych lub częściowo zapełnionych komór.
- Przed włożeniem ciepłych potraw do lodówki/zamrażarki należy poczekać, aż ostygną. Żywność, która jest już schłodzona, przyczynia się do wzrostu efektywności energetycznej.
- Zamrożoną żywność należy rozmrażać w lodówce. Chłód uwalniany z zamrożonej żywności będzie obniżać temperaturę w komorze lodówki, co zmniejsza zużycie energii.
- Drzwi otwierać tylko na chwilę, aby zminimalizować straty ciepła. Szybkie zamykanie drzwi pozwala zmniejszyć zużycie energii.
- Uszczelki drzwi urządzenia muszą być w dobrym stanie, aby umożliwić prawidłowe zamykanie drzwi i zapobiec niepotrzebnym stratom energii.

INSTRUKCJA OBSŁUGI

Panel sterowania



Przyciski

- Ustawienie 1 (COLD)
- Ustawienie 2 (MID)
- Ustawienie 3 (COLDEST)
- Ustawienie 4 (SUPER COOL)
- Ustawienie A (Przycisk ustawiania temperatury w komorze chłodziarki)

UWAGA

Panel sterowania może wyglądać nieco inaczej w zależności od modelu.

Wyświetlacz

- podczas podłączania lodówki po raz pierwszy do zasilania, wyświetlacz świeci przez 3 sekundy, a następnie lodówka zaczyna działać według ustawienia 3. W razie wystąpienia błędu odpowiednia dioda zacznie migać. Jeżeli nie występuje żaden błąd, na wyświetlaczu widoczne jest ustawienie temperatury w lodówce.

Kod błędu	Opis błędu
Wskaźnik ustawienia 3 i ustawienia 4	Awaria czujnika temperatury komory chłodziarki
Wskaźnik ustawienia 2 i ustawienia 4	Awaria czujnika rozmrażania komory zamrażarki
Wskaźnik ustawienia 1 i ustawienia 4	Usterka czujnika temperatury otoczenia

Ustawianie temperatury

- Każde naciśnięcie przycisku ustawiania temperatury (A) powoduje zmianę ustawienia temperatury. Po zakończeniu ustawiania temperatury lodówka zacznie działać według nowego ustawienia po 15 sekundach.
- Ustawienia zmieniają się w następującej kolejności:

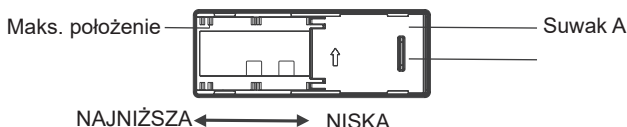


Blokowanie/odblokowanie

- Nacisnąć długo przycisk TEMP i przytrzymać go przez trzy sekundy, aby odblokować. Przyciski zostaną zablokowane automatycznie po 30 sekundach bezczynności.

Suwak regulacji przepustnicy

- Temperaturę wewnątrz komory zamrażarki można regulować, zmieniając pozycję suwaka. Wstępnie suwak jest w pozycji A. Aby ustawić niższą temperaturę w komorze zamrażarki, należy przesunąć suwak z pozycji wyjściowej A w lewą stronę.
- Aby zapewnić bardziej wydajne działanie chłodziarki, zaleca się pozostawienie suwaka w pozycji wyjściowej.



Przerwa w pracy

- **Awaria zasilania:** W razie awarii zasilania, nawet latem, temperatura żywności przechowywanej w urządzeniu będzie zachowana przez kilka godzin. Podczas przerwy w dostawie energii elektrycznej należy ograniczyć częstotliwość otwierania drzwi lodówki i nie należy umieszczać w niej dodatkowej nieschłodzonej żywności.
- **Długa przerwa w korzystaniu z urządzenia:** urządzenie należy odłączyć od zasilania, a następnie wyczyścić. Pozostawić otwarte drzwi, aby zapobiec powstawaniu nieprzyjemnych zapachów.

Porady dotyczące przechowywania żywności

Komora zamrażarki

- Zamrażarka jest przeznaczona do przechowywania żywności w bardzo niskiej temperaturze, długoterminowego przechowywania zamrożonej żywności i wytwarzania kostek lodu.
- Na półkach na drzwiach zamrażarki należy przechowywać tylko zamrożoną żywność. Nie wolno ich używać do przechowywania gorącej żywności, która ma być zamrożona.
- Nie umieszczać świeżej i zamrożonej żywności obok siebie. Może to spowodować rozmrożenie zamrożonej żywności.
- Przed zamrożeniem świeżej żywności (takiej jak mięso, ryby lub mięso rozdrobnione) należy je podzielić na części, które będą zużywane na raz.
- Przechowywanie zamrożonej żywności: instrukcje są zwykle podawane na opakowaniach. Należy ich przestrzegać podczas przechowywania. Jeżeli na opakowaniu nie ma żadnych instrukcji, takiego rodzaju żywności nie należy przechowywać dłużej niż trzy miesiące od daty zakupu.
- W przypadku kupowania mrożonej żywności należy upewnić się, że była zamrożona w odpowiedniej temperaturze, a jej opakowanie nie jest uszkodzone.
- Zamrożoną żywność należy przechowywać w odpowiednich opakowaniach, aby zachować ich jakość. Po zakupie należy ją jak najszybciej umieścić w zamrażarce.
- Jeżeli na opakowaniu zamrożonej żywności widać wilgoć lub wybrzuszenia, prawdopodobnie żywność była przechowywana w niewłaściwej temperaturze i jej zawartość jest zepsuta.
- Okres przechowywania zamrożonej żywności zależy od temperatury otoczenia, ustawienia termostatu, częstości otwierania drzwi zamrażarki, rodzaju żywności i czasu transportu produktu od sklepu do gospodarstwa domowego. Zawsze przestrzegać instrukcji umieszczonych na opakowaniu i nigdy nie przekraczać maksymalnego czasu przechowywania podanego na opakowaniu.

Komora chłodząca

- Aby ograniczyć ilość wilgoci i gromadzącego się lodu, nigdy nie należy wkładać płynów do lodówki w niezamkniętych pojemnikach. Lód gromadzi się zwykle w najchłodniejszych częściach parownika. Przechowywanie płynów w niezamkniętych pojemnikach będzie wpływać na częstość rozmrażania.
- Nigdy nie wkładać gorącej żywności do lodówki. Najpierw należy ochłodzić ją w temperaturze pokojowej, a dopiero potem włożyć, tak aby zapewnić odpowiedni obieg powietrza w lodówce.
- Żywność lub pojemniki na żywność nie powinny dotykać tylnej ściany lodówki, ponieważ mogą do niej przymarznąć. Nie otwierać często drzwi lodówki.
- Mięso i oczyszczone ryby (zapakowane w pojemniki lub folię z tworzywa) można przechowywać w lodówce przez 1–2 dni.
- Owoce i warzywa można umieszczać bez opakowania w miejscach przeznaczonych na świeże owoce i warzywa.

UWAGA

Optymalne ustawienie temperatury każdej komory zależy od temperatury otoczenia. Powyższa temperatura optymalna została podana dla temperatury otoczenia wynoszącej 25°C.

Lp.	Rodzaj komory	Docelowa temp. przechowywania [°C]	Odpowiednia żywność
1	Lodówka	+2 ~ +8	Jajka, ugotowana żywność, żywność pakowana, owoce i warzywa, produkty mleczne, ciasta, napoje i inna żywność, której nie można mrozić.
2	Zamrażarka (***)*	≤-18	Owoce morza (ryby, krewetki, skorupiaki), ryby słodkowodne i produkty mięsne (zalecane przechowywanie przez trzy miesiące; nie przekraczać tego terminu przechowywania, ponieważ spowoduje utratę smaku i wartości odżywczych), odpowiednie do mrożenia świeżej żywności.
3	Zamrażarka ***	≤-18	Owoce morza (ryby, krewetki, skorupiaki), ryby słodkowodne i produkty mięsne (zalecane przechowywanie przez trzy miesiące; nie przekraczać tego terminu przechowywania, ponieważ spowoduje utratę smaku i wartości odżywczych), odpowiednie do mrożenia świeżej żywności.
4	Zamrażarka **	≤-12	Owoce morza (ryby, krewetki, skorupiaki), ryby słodkowodne i produkty mięsne (zalecane przechowywanie przez trzy miesiące; nie przekraczać tego terminu przechowywania, ponieważ spowoduje utratę smaku i wartości odżywczych), odpowiednie do mrożenia świeżej żywności.
5	Zamrażarka *	≤-6	Owoce morza (ryby, krewetki, skorupiaki), ryby słodkowodne i produkty mięsne (zalecane przechowywanie przez trzy miesiące; nie przekraczać tego terminu przechowywania, ponieważ spowoduje utratę smaku i wartości odżywczych), odpowiednie do mrożenia świeżej żywności.
6	Zero gwiazdek	-6 ~ 0	Świeża wieprzowina, wołowina, ryby, kurczak, wybrana pakowana żywność przetworzona itd. (zaleca się spożycie tego samego dnia; najlepiej przechowywać nie dłużej niż trzy dni). Częściowo pakowana próżniowo żywność przetworzona (potrawy nie nadające się do mrożenia).
7	Chłodziarka	-2 ~ +3	Świeża/mrożona wieprzowina, wołowina, kurczak, ryby słodkowodne itd. (siedem dni w temperaturze poniżej 0°C; w przypadku temperatury powyżej 0°C zaleca się spożycie tego samego dnia, najlepiej przechowywać nie dłużej niż dwa dni). Owoce morza (od 0 do 15 dni, przy czym nie zaleca się przechowywania w temperaturze powyżej 0°C).
8	Świeża żywność	0 ~ +4	Świeża wieprzowina, wołowina, ryby, kurczak, ugotowana żywność itd. (Zaleca się spożycie w ciągu kilku dni; najlepiej przechowywać nie dłużej niż trzy dni).
9	Wino	+5 ~+20	Czerwone wino, białe wino, wino musujące itd.

UWAGA

Różne rodzaje żywności należy przechowywać w odpowiednich komorach lub temperaturze przechowywania.

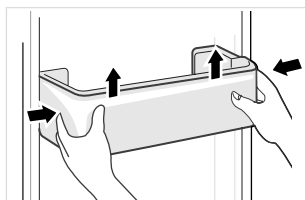
CZYSZCZENIE I KONSERWACJA

Odszranianie

- Lodówka działa na zasadzie chłodzenia powietrzem, dlatego posiada funkcję automatycznego rozmrażania. Lód gromadzący się z powodu zmiany warunków otoczenia lub temperatury można usunąć ręcznie, odłączając urządzenie od zasilania lub poprzez przetarcie suchym ręcznikiem.

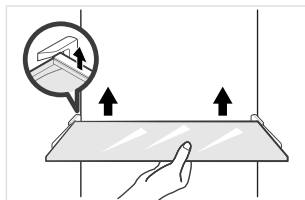
Czyszczenie balkoników drzwiowych

- Ścisnąc obiema dłońmi balkonik w kierunku wskazanym na poniższym obrazku przez strzałki i pchnąć go do góry, aby go wyjąć.
- Po umyciu wyjętego balkonika można umieścić go na dowolnej wysokości.



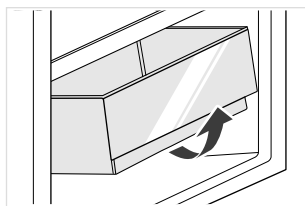
Czyszczenie szklanych półek

- W tylnej części półki znajduje się wypust blokujący dlatego, aby wyjąć półkę, należy ją unieść.
- Wyczyścić i wyregulować półki zgodnie z zapotrzebowaniem.



Czyszczenie szuflady na owoce i warzywa

1. Wyjąć wszystkie produkty z szuflady. Chwycić za rączkę szuflady na owoce i warzywa, a następnie wyciągnąć ją do oporu.
2. Unieść szufladę w górę, a następnie wyciągnąć ją z lodówki.



UWAGA

Do czyszczenia należy używać miękkich ręczników lub gąbki zwilżonej wodą z niezręczym, neutralnym detergentem. Zamrażarkę należy na koniec wyczyścić czystą wodą i wysuszyć szmatką. Przed włączeniem zasilania otworzyć drzwi, aby urządzenie wyschło. Do czyszczenia chłodziarki nie używać twardych szczotek, wełny stalowej, szczotek drucianych, środków ściernych (takich jak pasta do zębów), rozpuszczalników organicznych (takich jak alkohol, aceton, olej z bananów itp.), wrzącej wody, środków kwasowych lub zasadowych, gdyż mogą one uszkodzić wewnętrzne lub zewnętrzne powierzchnie lodówki.

ROZWIĄZYWANIE PROBLEMÓW

Poniższe proste w rozwiązaniu problemy użytkownik może usunąć samodzielnie. Jeśli problemy nie zostaną rozwiązane, należy skontaktować się z działem serwisu posprzedażowego.

Problem	Prawdopodobna przyczyna
Nie działa	<ul style="list-style-type: none">• Sprawdzić, czy urządzenie jest podłączone do zasilania oraz czy wtyczka jest poprawnie podłączona
	<ul style="list-style-type: none">• Sprawdzić, czy napięcie jest odpowiednio wysokie
	<ul style="list-style-type: none">• Sprawdzić, czy zasilanie działa lub czy nie doszło do wyłączenia obwodu zasilającego
Nieprzyjemna woń	<ul style="list-style-type: none">• Żywność wydzielającą intensywną woń należy szczelnie opakować
	<ul style="list-style-type: none">• Sprawdzić, czy żywność zepsuła się
	<ul style="list-style-type: none">• Wyczyścić wnętrze lodówki
Przedłużająca się praca sprężarki	<ul style="list-style-type: none">• Długa praca sprężarki lodówki jest zjawiskiem normalnym w lecie,
	<ul style="list-style-type: none">• gdy temperatura otoczenia jest wysoka. Nie zaleca się wkładania dużej ilości żywności naraz.
	<ul style="list-style-type: none">• Żywność należy wystudzić przed umieszczeniem jej w lodówce
Oświetlenie nie włącza się	<ul style="list-style-type: none">• Drzwi otwierane są zbyt często
	<ul style="list-style-type: none">• Sprawdzić, czy urządzenie jest podłączone do źródła zasilania i czy źródło światła jest sprawne
	<ul style="list-style-type: none">• Zlecić wymianę źródła światła specjalście
Nie można prawidłowo zamknąć drzwi	<ul style="list-style-type: none">• W zamknięciu drzwi przeszkadza umieszczona żywność. Umieszczono zbyt dużo żywności
	<ul style="list-style-type: none">• Lodówka jest przechylona.
Głośne hałasy	<ul style="list-style-type: none">• Sprawdzić, czy posadzka jest równa i czy lodówka stoi stabilnie
	<ul style="list-style-type: none">• Sprawdzić, czy akcesoria znajdują się na swoich miejscach

Problem	Prawdopodobna przyczyna
Uszczelka drzwi jest rozciągnięta	<ul style="list-style-type: none"> • Usunąć ciała obce znajdujące się na uszczelce • Podgrzać uszczelkę drzwi i schłodzić ją, aby przywrócić jej kształt (użyć suszarki elektrycznej lub gorącego ręcznika)
Przelewanie się wody w zbiorniku	<ul style="list-style-type: none"> • W komorze znajduje się zbyt dużo żywności lub żywność zawiera zbyt dużo wody co skutkuje intensywnym odszranianiem • Drzwi nie są poprawnie zamknięte, co powoduje powstawanie szronu pod wpływem przedostawania się do wnętrza ciepłego powietrza. Roztopianie szronu skutkuje pojawianiem się nadmiernej ilości wody
Ciepła obudowa	<ul style="list-style-type: none"> • Odprowadzanie ciepła wbudowanego skraplacza przez obudowę; jest to zjawisko normalne. Gdy obudowa rozgrzewa się do wysokich temperatur z powodu wysokiej temperatury otoczenia, umieszczenia zbyt dużej ilości żywności lub wyłączenia się sprężarki, należy zapewnić odpowiednią wentylację, która umożliwi odprowadzenie ciepła
Skraplanie się wody na powierzchni	<ul style="list-style-type: none"> • Skroplenie się wody na powierzchni zewnętrznej i uszczelkach drzwi jest zjawiskiem normalnym, gdy wilgotność powietrza jest wysoka. Skroploną wodę można wytrzeć czystym ręcznikiem.

DODATEK

Wymagania dotyczące nowych standardów Europejskich

Części zamawiane z poniższej tabeli można uzyskać za pośrednictwem kanału serwisowego.

Zamówiona część	Dostarczana przez	Minimalny wymagany czas dostępności
Termostaty	Profesjonalny personel serwisowy	Przynajmniej 7 lat od wprowadzenia na rynek ostatniego modelu
Czujniki temperatury	Profesjonalny personel serwisowy	Przynajmniej 7 lat od wprowadzenia na rynek ostatniego modelu
Płytki drukowane	Profesjonalny personel serwisowy	Przynajmniej 7 lat od wprowadzenia na rynek ostatniego modelu
Źródła światła	Profesjonalny personel serwisowy	Przynajmniej 7 lat od wprowadzenia na rynek ostatniego modelu
Uchwyty drzwi	Profesjonalne serwisy i użytkownicy końcowi	Przynajmniej 7 lat od wprowadzenia na rynek ostatniego modelu
Zawiasy drzwi	Profesjonalne serwisy i użytkownicy końcowi	Przynajmniej 7 lat od wprowadzenia na rynek ostatniego modelu
Tace	Profesjonalne serwisy i użytkownicy końcowi	Przynajmniej 7 lat od wprowadzenia na rynek ostatniego modelu
Kosze	Profesjonalne serwisy i użytkownicy końcowi	Przynajmniej 7 lat od wprowadzenia na rynek ostatniego modelu
Uszczelki drzwi	Profesjonalne serwisy i użytkownicy końcowi	Przynajmniej 10 lat od wprowadzenia na rynek ostatniego modelu

Drugi kliencie,

1. W razie chęci zwrotu lub wymiany produktu należy się skontaktować z punktem zakupu. (Należy pamiętać o dostarczeniu paragonu zakupu)
2. W razie awarii urządzenia należy się skontaktować z działem obsługi klienta.

UWAGA

Informacje o modelu dostępne w bazie danych oraz identyfikator modelu można znaleźć na stronie internetowej, której adres można uzyskać, skanując kod QR (jeśli jest dostępny) znajdujący się na etykiecie wydajności energetycznej urządzenia.

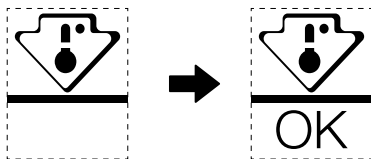
Aby dowiedzieć się więcej na temat wydajności energetycznej urządzenia, należy przejść do strony <https://ec.europa.eu> i wyszukać nazwę modelu urządzenia.

Nazwę modelu znaleźć można na etykiecie znamionowej urządzenia.

Najzimniejsza strefa w lodówce

OPCJONALNE: wskaźnik OK temperatury

- Za pomocą wskaźnika OK temperatury można określić temperaturę poniżej +4°C. Stopniowo obniżać temperaturę, jeśli wskazanie „OK” nie jest wyświetlane.



- Aby zapewnić właściwą temperaturę w tej przestrzeni, nie zmieniać położenia półki. Lodówki z wymuszonym obiegiem powietrza (wyposażone w wentylator lub modele No Frost) nie posiadają oznaczenia najzimniejszej strefy, ponieważ panuje w nich równomierna temperatura.

Wskaźnik ustawionej temperatury

- Lodówka została wyposażona we wskaźnik ustawionej temperatury, który pomaga wybrać właściwe ustawienie i monitoruje średnią temperaturę w najzimniejszej strefie.
- OSTRZEŻENIE: wskaźnik może być stosowany wyłącznie w konkretnej lodówce, nie można go umieścić w innej lodówce (strefy najniższej temperatury różnią się między sobą) ani stosować do innych celów.

PL

Sprawdzanie temperatury w najzimniejszej strefie

- Wskaźnik temperatury ułatwia regularne sprawdzanie, czy temperatura w najzimniejszej strefie jest właściwa. Na temperaturę wewnątrz lodówki wpływa wiele czynników, takich jak temperatura otoczenia, ilość umieszczonej żywności oraz częstotliwość otwierania drzwi. Konfigurując urządzenie, należy wziąć te czynniki pod uwagę.
- Gdy wskaźnik wyświetla komunikat «OK», oznacza to właściwe ustawienie termostatu i osiągnięcie pożądanej temperatury wewnętrznej.
- Gdy wskaźnik temperatury zmienia kolor na BIAŁY, oznacza to, że temperatura jest zbyt wysoka; w takiej sytuacji należy zwiększyć wartość ustawienia temperatury w lodówce i poczekać 12 godzin przed ponowieniem inspekcji wizualnej. Chwilę po dołożeniu świeżej żywności lub pozostawieniu otwartych drzwi wskaźnik temperatury może zmienić kolor na BIAŁY.

PATEICĪBAS VĒSTULE

Paldies, ka izvēlējāties Midea! Pirms sava jaunā Midea izstrādājuma lietošanas, lūdzu, uzmanīgi izlasiet šo rokasgrāmatu, lai gūtu pārliecību, ka protat drošā veidā izmantot savas jaunās ierīces piedāvātās iespējas un funkcijas.

SATURS

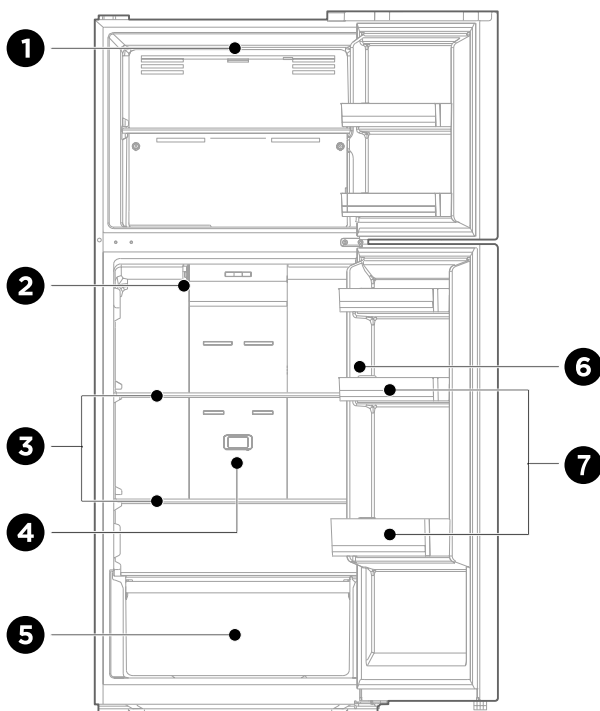
PATEICĪBAS VĒSTULE	01
SPECIFIKĀCIJAS	02
PRODUKTA PĀRSKATS	03
PRODUKTA UZSTĀDĪŠANA	04
LIETOŠANAS INSTRUKCIJAS	11
TĪRĪŠANA UN APKOPE	15
PROBLĒMU NOVĒRŠANA	16
PIELIKUMS	18

SPECIFIKĀCIJAS

Produkta modelis	MDRT489MTE
Nominālais spriegums/Frekvence	220-240 V~/50 Hz
Nominālstrāva	0,7 A
Kopējais tilpums	338 L
Svaigu pārtikas produktu uzglabāšanas nodalījuma tilpums	254 L
Četru zvaigžņu nodalījuma tilpums	84 L
Saldēšanas jauda	3,9 kg/24 h
Temperatūras kāpuma ilgums	10 h
Kopējie izmēri (P x Dz x A)	595 x 695 x 1724 mm
Produkta modelis	MDRT580MTE
Nominālais spriegums/Frekvence	220-240 V~/50 Hz
Nominālstrāva	1,5 A
Kopējais tilpums	413 L
Svaigu pārtikas produktu uzglabāšanas nodalījuma tilpums	306 L
Četru zvaigžņu nodalījuma tilpums	107 L
Saldēšanas jauda	5 kg/24 h
Temperatūras kāpuma ilgums	10 h
Kopējie izmēri (P x Dz x A)	700 x 670 x 1723 mm
Produkta modelis	MDRT645MTE
Nominālais spriegums/Frekvence	220-240 V~/50 Hz
Nominālstrāva	1,2 A
Kopējais tilpums	463 L
Svaigu pārtikas produktu uzglabāšanas nodalījuma tilpums	356 L
Četru zvaigžņu nodalījuma tilpums	107 L
Saldēšanas jauda	5 kg/24 h
Temperatūras kāpuma ilgums	10 h
Kopējie izmēri (P x Dz x A)	700 x 691 x 1880 mm

PRODUKTA PĀRSKATS

Komponentu nosaukumi



- | | | | |
|---|----------------------------------|---|------------------------|
| 1 | Gaismas diode | 5 | Augļu un dārzeņu kaste |
| 2 | Gaisa filtra regulēšanas slīdnis | 6 | Temperatūras kontrole |
| 3 | Plaukts | 7 | Durvju plaukts |
| 4 | Smakas noņēmējs | | |

🔦 UZMANĪBU!

Augstāk redzamais attēls ir tikai atsaucei. Faktiskā konfigurācija ir atkarīga no fiziskā izstrādājuma vai izplatītāja paziņojuma.

LV

PRODUKTA UZSTĀDĪŠANA

Uzstādīšanas instrukcija

Aukstumiekārtām ar klimata klasi

- Atkarībā no klimata klases šī aukstumiekārta ir paredzēta lietošanai apkārtējās vides temperatūras diapazonā, kā norādīts sekojošajā tabulā.
- Klimata klase ir atrodama uz datu plāksnītes. Produkts var darboties nepareizi, ja temperatūra ir ārpus noteiktā diapazona.
- Klimata klase ir norādīta uz produkta etiķetes.

Efektīvās temperatūras diapazons

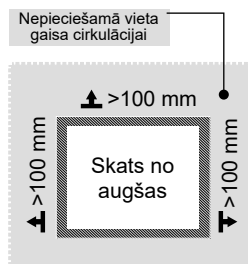
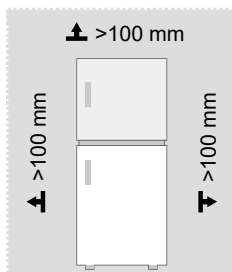
- Dzesētājs ir paredzēts normālai darbībai temperatūru diapazonā, ko nosaka tā klases vērtējums.

Klase	Sīkums	Apkārtējās vides temperatūras diapazons °C	
		IEC 62552 (ISO 15502)	ISO 8561
Paplašināts mērens	SN	+10 līdz +32	+10 līdz +32
Mērens	N	+16 līdz +32	+16 līdz +32
Subtropu	ST	+16 līdz +38	+18 līdz +38
Tropu	T	+16 līdz +43	+18 līdz +43

LV

Izmēri un attālumi

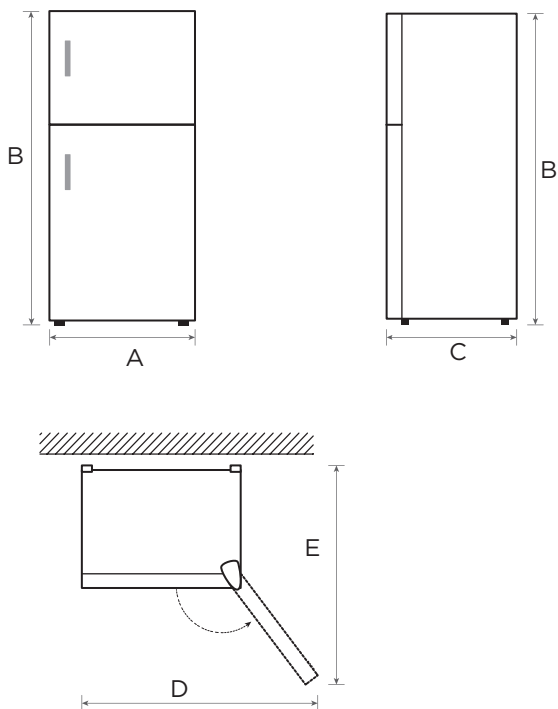
- Pārāk mazs attālums no blakus esošajiem priekšmetiem var pasliktināt sasalšanas spēju un palielināt elektroenerģijas izmaksas. Uzstādot ierīci, atstājiet vairāk nekā 100 mm atstarpi no katras blakus esošās sienas.



UZMANĪBU!

Augstāk redzamais attēls ir tikai atsauce. Faktiskā konfigurācija ir atkarīga no fiziskā izstrādājuma vai izplatītāja paziņojuma.

Nepieciešamās vietas diagramma (kad durvis ir atvērtas un kad durvis ir aizvērtas)



LV


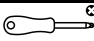
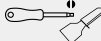

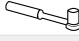


Produkta modelis	Platums	Kopējais augstums	Dziļums	Platums ar 135° atvērtām durvīm	Dziļums ar 135° atvērtām durvīm
	A	B	C	D	E
MDRT489MTE	595	1724	695	997	1137

Produkta modelis	Platums	Kopējais augstums	Dziļums	Platums ar 125° atvērtām durvīm	Dziļums ar 125° atvērtām durvīm
	A	B	C	D	E
MDRT580MTE	700	1723	670	1085	1252
MMDRT645MTE	700	1880	691	1085	1252

Nemiet vērā: Visi izmēri mm

Durvju maiņa no labās puses uz kreiso

Lietotāja instrumentu saraksts

		Sešstūra atslēga, krusta skrūvgriezis
		Špakteļlāpsta, plakans skrūvgriezis
		5/16" uzgriežņu atslēga
		Maskēšanas lente

Detalās durvju maiņai

SN	Detalās	Skaitis
1	Augšējā labās puses eņģe	1
2	Labās augšējās eņģes pārsegs	1
3	Augšējās eņģes ass uzmava	1
4	Augšējās eņģes skrūve	3
5	Atveres pārsegs	1
6	Vidējās eņģes skrūve	2
7	Vidējā eņģe	1
8	Atveres aizbāznis	2
9	Vidējā stieņa skrūve	1
10	Vidējā stieņa skrūves vāciņš	1
11	Regulējama pēda	1
12	Apakšējās eņģes skrūve	3
13	Apakšējās eņģes komplekts	1
14	Saldētavas durvju apakšējā pārsega skrūve	1
15	Saldētavas durvju apakšējā pārsega ierobežojošais bloks	1
16	Ledusskapja durvju apakšējā pārsega skrūve	1
17	Ledusskapja durvju apakšējā pārsega ierobežojošais bloks	1
18	Ledusskapja durvju augšējā pārsega ass uzmava	1
19	Ledusskapja durvju apakšējais balsts	1
20	Piederumu komplekts	4
21	Labās puses durvju pašbloķētājs	1

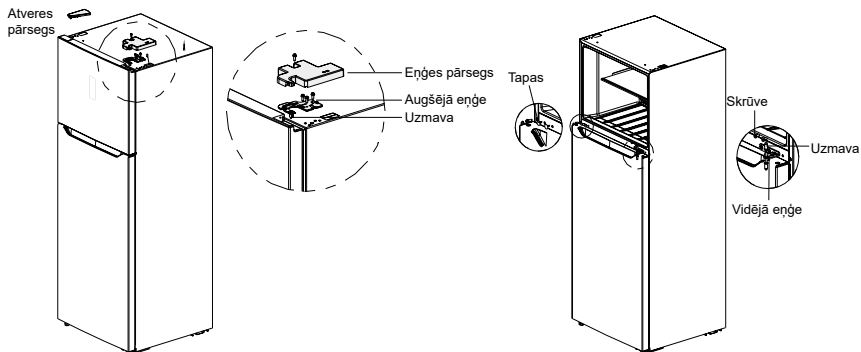
Piezīmes:

1-19/lepiekš uzstādīts ledusskapī, izmantojams, mainot durvis

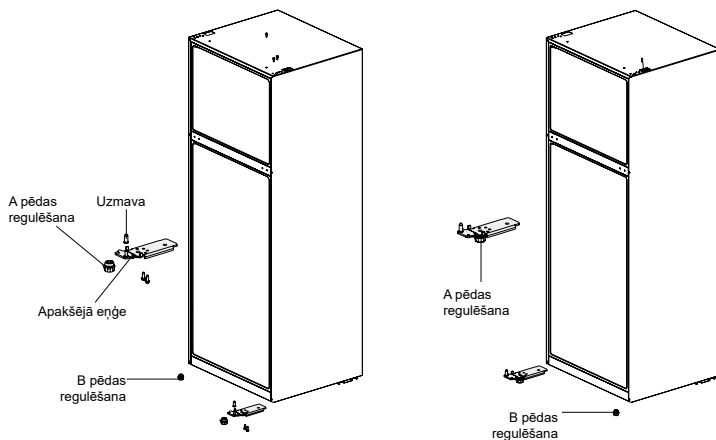
20/Kreisā augšējā eņģe, kreisās augšējās eņģes pārsegs, kreisās puses durvju pašbloķētājs, kreisais dekoratīvais pārsegs

21/lepiekš uzstādīts uz ledusskapja, noņemiet un saglabājiet, mainot durvis

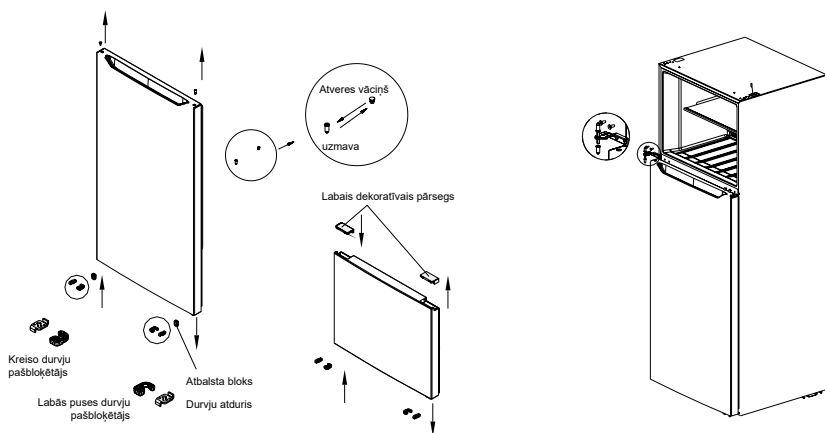
1. Pirms šīs darbības veikšanas, lūdzu, izslēdziet ierīci.
2. Noņemiet eņģes pārsegu un skrūvi no kārbas augšējās labās puses, kā arī augšējo eņģi un atveres pārsegu no kreisās puses.



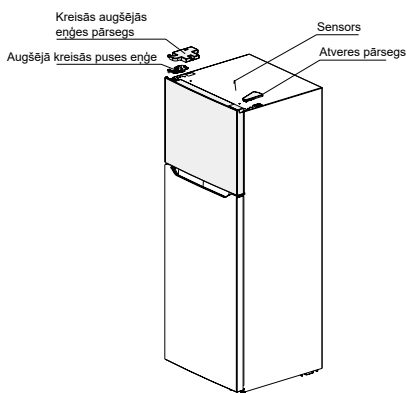
3. Atskrūvējiet enģes skrūvi, noņemiet vidējo enģi un augšējo vārpstas uznavu, atdaliet abus enģes atveres pārsegus (tapas) uz vidējās enģes un noņemiet ledusskapja kameras durvju korpusu, ceļot augšup.
4. Uzstādiet enģes vārpstu un vārpstas uznavu apakšējās enģes kreisajai atverei, pēc tam apakšējo enģi ledusskapja kreisajā stūrī, regulējiet A pēdu atbilstoši pozīcijai, kas norādīta zīmējumā, un visbeidzot regulējiet B pēdu ledusskapja labajā apakšējā stūrī.



5. Demontējiet abu durvju korpusu atdurus un labās puses durvju pašbloķētāja skrūves, pēc tam izņemiet no piederumu somas kreisās puses durvju pašbloķētāju un uzstādiet durvju korpusa kreisajā stūrī kopā ar durvju atduri; izņemiet ledusskapja kameras durvju korpusa apakšējo atbalsta bloku un uzstādiet apakšējā kreisajā stūrī. Visbeidzot, izņemiet atveres aizbāzni un vārpstas uznavu ledusskapja kameras durvīm un regulējiet to pozīcijas, pēc tam uzstādiet uz durvju korpusa. Noņemiet ledusskapja kameras durvju labo dekoratīvo pārsegu un izņemiet no piederumu somas kreiso dekoratīvo pārsegu, uzstādiet to.



6. Uzstādi ledusskapja kameras durvis uz apakšējās eņģes, vidējās eņģes ledusskapja kreisajā pusē un nostiprini skrūves. Rūpīgi uzlieciet vārpstas uznavu. Uzstādi aizbāžņa tapu atverē uz vidējā stieņa otrā galā.
7. Uzstādi saldētavas durvis uz vidējās eņģes, izņemiet kreiso augšējo eņģi un pārsegu kreisajai augšējai eņģei no piederumu somas, uzstādi kreiso eņģi un nostiprini skrūves, uzstādi pārsegu kreisajai augšējai eņģei un nostiprini skrūvi, uzstādi labo sensoru oriģinālajā kreisās atveres pārsegā un nostiprini atveres pārsegu uz labās kārbas.
8. Pēc uzstādīšanas.



UZMANĪBU!

Augstāk redzamais attēls ir tikai atsaucei. Faktiskā konfigurācija ir atkarīga no fiziskā izstrādājuma vai izplatītāja paziņojuma.



Līmeņošanas balsts

Lai izvairītos no vibrācijas, ierīce ir jālīmeņo.

Ja nepieciešams, noregulējiet līmeņošanas skrūves, lai kompensētu grīdas nelīdzenumu.

Priekšpusei jābūt nedaudz augstākai par aizmuguri, lai palīdzētu aizvērt durvis.

Līmeņošanas skrūves var viegli pagriezt, nedaudz pagriežot ledusskapi.

Pagrieziet līmeņošanas skrūves pretēji pulksteņrādītāju kustības virzienam , lai paceltu ierīci, vai pulksteņrādītāju kustības virzienā , lai to nolaistu.

Ierīces pārvietošana

1. Izņemiet no ierīces visu pārtiku.
2. Atvienojiet strāvas kontaktdakšu, ievietojiet un piestipriniet to strāvas kontaktdakšas āķī ierīces aizmugurē vai augšpusē.
3. Pieļīmējiet detaļas, piemēram, plauktus un durvju rokturi, lai ierīces pārvietošanas laikā tie nenokristu.
4. Uzmanīgi pārvietojiet ierīci ar vairāk nekā diviem palīgiem. Pārvadājot ierīci lielos attālumos, turiet ierīci vertikāli.
5. Pēc ierīces uzstādīšanas pievienojiet strāvas kontaktdakšu kontaktligzdai, lai ieslēgtu ierīci.

UZMANĪBU!

Piesardzības pasākumi pirms lietošanas:

Pirms jebkādu izmaiņu veikšanas ledusskapis ir jāatvieno no strāvas padeves. Ievieci piesardzības pasākumus, lai novērstu jebkādas traumas.

LV

Lampiņas maiņa

- Jebkāda LED lampiņu nomaina vai apkope ir jāveic ražotājam, tā servisa pārstāvim vai līdzīgi kvalificētai personai.

UZMANĪBU!

MDRT489MTE satur gaismas avotu ar energoefektivitātes klasi(F) .

MDRT580MTE/MDRT645MTE satur divus gaismas avotus ar energoefektivitātes klasi(F).

Ierīces pievienošana

Pēc ierīces uzstādīšanas pievienojiet strāvas kontaktdakšu kontaktligzdai.

UZMANĪBU!

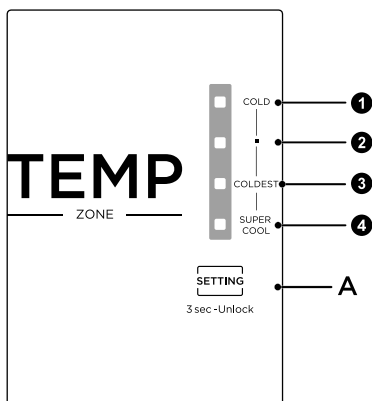
Pēc barošanas vada (vai kontaktdakšas) pievienošanas kontaktligzdai uzgaidiet 2 vai 3 stundas, pirms ievietojat produktus ierīcē. Ievietojot produktus pirms ierīces pilnīgas atdzišanas, produkti var sabojāties.

Padomi enerģijas taupīšanai

- Nenovietojiet ierīci blakus plītim, radiatoriem un citiem karstuma avotiem. Ja apkārtnes temperatūra ir augsta, kompresors darbosies biežāk un ilgāk, radot lielāku enerģijas patēriņu.
- Nodrošiniet pietiekamu ventilāciju pie ierīces pamatnes, tās sānos un aizmugurē. Nekad nenosedziet ventilācijas atveres.
- Lūdzu, ievērojiet arī nodaļā "Uzstādīšana" norādītos atstarpju izmērus.
- Atvilktnu un plauktu izkārtojums, kā parādīts ilustrācijā, piedāvā efektīvāko enerģijas izmantošanu un tāpēc ieteicams to izmantot, cik iespējams. Visām atvilktnēm un plauktiem ir jāatrodas ierīcē, lai uzturētu stabilu temperatūru un taupītu enerģiju.
- Lai iegūtu lielāku uzglabāšanas vietu (piem., lielām atdzesētām/saldētām precēm), vidējās atvilktnes var izņemt. Augšējās un apakšējās atvilktnes un plaukti ir jāizņem pēdējie, ja nepieciešams.
- Vienmērīgi piepildīts ledusskapja/saldētavas nodalījums veicina optimālu enerģijas izmantošanu. Tāpēc izvairieties no tukšiem un pustukšiem nodalījumiem.
- Ļaujiet siltiem produktiem atdzist, pirms ievietojat tos ledusskapī/saldētavā. Produkti, kas ir jau atdzisuši, paaugstina energoefektivitāti.
- Saldētus produktus atkausējiet ledusskapī. Saldētu produktu aukstums samazina enerģijas patēriņu ledusskapja nodalījumā un tādējādi paaugstina energoefektivitāti.
- Lai līdz minimumam samazinātu aukstuma zudumu, atveriet durvis uz iespējami īsu brīdi. Īslaicīga durvju atvēršana un pareiza aizvēršana samazina enerģijas patēriņu.
- Ierīces durvju blīvēm jābūt bez jebkādiem bojājumiem, lai durvis aizvērtu pareizi un enerģija netiktu lieki patērēta.

LIETOŠANAS INSTRUKCIJAS

Vadības panelis



Taustiņš

- 1. iestatījums (COLD)
- 2. iestatījums (MID)
- 3. iestatījums (COLDEST)
- 4. iestatījums (COLDEST)
- A iestatījums (Ledusskapja nodalījuma temperatūras iestatīšanas poga)

UZMANĪBU!

Faktiskais vadības panelis var atšķirties atkarībā no modeļa.

Displejs

- Pirmo reizi pieslēdzot ledusskapi pie strāvas, displeja ekrāns pilnībā iedegsies uz 3 sekundēm un ledusskapis darbosies saskaņā ar 3. iestatījumu. Kļūmes gadījumā mirgo attiecīgā gaismas diode. Ja kļūmes nav, displejā attēlots ledusskapja temperatūras iestatījums.

Kļūmes kods	Kļūmes apraksts
Indikatora 3. iestatījums un 4. iestatījums	Dzesēšanas kameras temperatūras sensora kļūda
Indikatora 2. iestatījums un 4. iestatījums	Saldēšanas kameras atkausēšanas sensora kļūme
Indikatora 1. iestatījums un 4. iestatījums	Apkārtnes temperatūras sensora kļūme

LV

Temperatūras iestatīšana

- Katru reizi, kad tiek nospiesta temperatūras iestatīšanas poga (A), temperatūras iestatījums mainās. 15 sekunžu laikā pēc temperatūras iestatīšanas ledusskapis sāk darboties atbilstoši iestatījumam.
- Iestatījumi mainās šādā secībā:

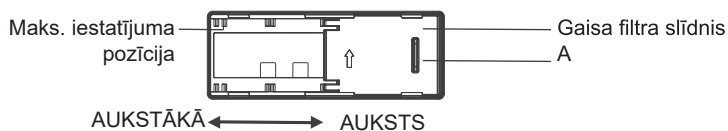


Bloķēt/Atbloķēt

- Uz 3 sekundēm nospiediet taustiņu TEMP, lai atbloķētu. 30 sekundes ir nepieciešamas automātiskai bloķēšanai, kad netiek veiktas darbības.

Gaisa filtra regulēšanas slīdnis

- Temperatūru saldētavā var regulēt, mainot gaisa filtra slīdņa pozīciju. Gaisa filtra slīdņa sākotnējā pozīcija ir A. Ja saldētavā nepieciešama zemāka temperatūra, varat regulēt gaisa filtra slīdņi, bīdot to no pozīcijas A uz kreiso pusi.
- Lai labāk izmantotu ledusskapi, gaisa filtra slīdņi ieteicams atstāt sākotnējā pozīcijā.



Lietošanas pārtraukums

- **Elektroapgādes traucējums:** Elektroapgādes traucējuma gadījumā, pat ja ir vasara, produktus var uzglabāt ierīcē vairākas stundas; elektroapgādes traucējuma laikā durvis vajadzētu atvērt iespējami retāk un jaunus produktus nevajadzētu ievietot.
- **Ilgstoša nelietošana:** Ierīce ir jāatvieno no barošanas avota, lai veiktu tīrīšanu; pēc tam durvis jāatstāj atvērtas, lai novērstu smakas.

Padomi produktu uzglabāšanai

Saldētavas nodalījums

- Saldētava ir paredzēta ļoti zemā temperatūrā sasaldētu produktu glabāšanai, saldētu produktu ilgtermiņa glabāšanai un ledus gatavošanai.
- Saldētavas durvju plauktos glabājiet tikai saldētus produktus, nevis saldēšanai paredzētus karstus produktus.
- Nenovietojiet svaigus un saldētus produktus blakus. Saldēti produkti var atkust.
- Saldējot svaigus produktus (piemēram, gaļu, zivis vai sasmalcinātu gaļu), sagrieziet to daļās, ko var izlietot vienā reizē.
- Saldētu produktu glabāšana: norādījumi parasti ir sniegti uz iepakojumiem, un tie ir jāievēro. Ja uz iepakojuma nav informācijas, produktus nedrīkst glabāt ilgāk kā trīs mēnešus no pirkuma datuma.
- Iegādājoties saldētus produktus, pārlicinieties, ka tie bijuši sasaldēti atbilstošā temperatūrā un iepakojums nav bojāts.
- Saldēti produkti ir jāuzglabā atbilstošos iepakojumos, lai saglabātu kvalitāti, un iespējami drīz jāievieto atpakaļ saldētavā.
- Ja saldētu produktu iepakojums norāda uz mitrumu vai ir anormāli uzpūties, iespējams, tas ir glabāts nepareizā temperatūrā un saturs ir bojāts.
- Saldētu produktu glabāšanas periods ir atkarīgs no telpas temperatūras, termostata iestatījuma, saldētavas durvju atvēršanas biežuma, produktu veida un tā, cik ātri produkti ir transportēti no veikala uz mājām. Vienmēr ievērojiet uz iepakojuma sniegtos norādījumus un nekad nepārsniedziet uz iepakojuma norādīto maksimālo glabāšanas laiku.

LV

Dzesēšanas nodalījums

- Lai mazinātu mitrumu un sekojošu ledus veidošanos, nekad neievietojiet ledusskapī šķidrumu nenoslēgtos traukos. Sarma parasti koncentrējas iztvaicētāja vēsākajās daļās. Glabājot nenosegtus šķidrumus, biežāk ir nepieciešama atkausēšana.
- Nekad neievietojiet ledusskapī siltus produktus. Tie vispirms ir jāatdzesē līdz istabas temperatūrai un tad jāievieto, nodrošinot pietiekamu gaisa cirkulēšanu ledusskapī.
- Produkti un produktu trauki nedrīkst pieskarties ledusskapja aizmugurējai sienai, jo tie var piesalt pie tās. Neviriniet ledusskapja durvis bieži.
- Gaļu un tīrītas zivis (iesaiņotas iepakojumā vai plastmasas folijā) var ievietot ledusskapī un izlietot 1–2 dienu laikā.
- Augļus un dārzeņus bez iepakojuma var ievietot nodalījumā, kas paredzēts svaigiem augļiem un dārzeņiem.

UZMANĪBU!

Katra nodalījuma optimālās temperatūras iestatījums ir atkarīgs no apkārtnes temperatūras. Optimālā temperatūra ir balstīta uz +25°C apkārtnes temperatūru.

Secība	Nodalījumu TIPS	Mērķa glabāšanas temp. [°C]	Atbilstošā pārtika
1	Ledusskapis	+2 ~ +8	Saldēšanai nav piemērotas olas, vārīti ēdieni, iepakoti ēdieni, augļi un dārzeņi, piena produkti, kūkas, dzērieni un citi pārtikas produkti.
2	(***)*-Saldētava	≤-18	Jūras veltes (zivis, garneles, vēžveidīgie), saldūdens produkti un gaļas produkti (ieteicams 3 mēneši, jo ilgāks uzglabāšanas laiks, jo sliktāka garša un uzturvērtība), piemērots saldētai svaigai pārtikai.
3	***-Saldētava	≤-18	Jūras veltes (zivis, garneles, vēžveidīgie), saldūdens produkti un gaļas produkti (ieteicams 3 mēneši, jo ilgāks uzglabāšanas laiks, jo sliktāka garša un uzturvērtība), piemērots saldētai svaigai pārtikai.
4	** -Saldētava	≤-12	Jūras veltes (zivis, garneles, vēžveidīgie), saldūdens produkti un gaļas produkti (ieteicams 3 mēneši, jo ilgāks uzglabāšanas laiks, jo sliktāka garša un uzturvērtība), piemērots saldētai svaigai pārtikai.
5	*-Saldētava	≤-6	Jūras veltes (zivis, garneles, vēžveidīgie), saldūdens produkti un gaļas produkti (ieteicams 3 mēneši, jo ilgāks uzglabāšanas laiks, jo sliktāka garša un uzturvērtība), piemērots saldētai svaigai pārtikai.
6	0 zvaigznītes	-6 ~ 0	Svaiga cūkgaļa, liellopu gaļa, zivis, vistas gaļa, dažādi fasēti apstrādāti pārtikas produkti utt. (Ieteicams apēst tās pašas dienas laikā, vēlams ne ilgāk kā 3 dienas). Daļēji fasēti apstrādāti pārtikas produkti (nesasaldējami produkti).
7	Atdzesēšana	-2 ~ +3	Svaiga/saldēta cūkgaļa, liellopu gaļa, vistas gaļa, saldūdens jūras velšu produkti utt. (7 dienas temperatūrā zem 0°C un virs 0°C ieteicams lietot uzturā šīs dienas laikā, vēlams ne ilgāk kā 2 dienas). Jūras veltes (mazāk par 0 uz 15 dienām, nav ieteicams uzglabāt temperatūrā virs 0°C).
8	Svaiga pārtika	0 ~ +4	Svaiga cūkgaļa, liellopu gaļa, zivis, vistas gaļa, termiski apstrādāti produkti utt. (Ieteicams apēst vienas dienas laikā, vēlams ne ilgāk kā 3 dienu laikā)
9	Vīns	+5 ~+20	Sarkanvīns, baltvīns, dzirkstošais vīns utt.

UZMANĪBU!

Iūdu, uzglabājiet dažādus pārtikas produktus atbilstoši produktu nodalījumiem vai mērķa uzglabāšanas temperatūrai.

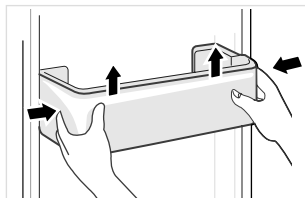
TĪRĪŠANA UN APKOPE

Atkausēšana

- Ledusskapis ir izgatavots, balstoties uz gaisa dzesēšanas principu, un tam ir automātiskas atkausēšanas funkcija. Apsarmojumu, kas radies gada laikā vai temperatūras maiņas dēļ, var manuāli noņemt, atvienojot ierīci no barošanas avota vai slaukot ar sausu dvieli.

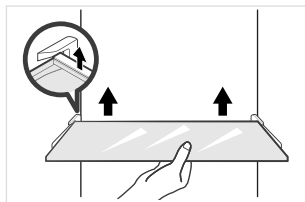
Durvju nodalījuma tīrīšana

- Atbilstoši virziena bultiņai zemāk redzamajā attēlā izmantojiet abas rokas, lai saspiestu plauktu, un velciet to augšup, lai izņemtu.
- Pēc tam, kad izņemtais plaukts ir nomazgāts, varat regulēt tā uzstādīšanas augstumu atbilstoši savām prasībām.



Stikla plaukta tīrīšana

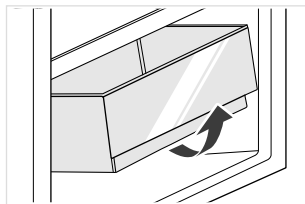
- Tā kā ledusskapja iekšējai daļai, kas saskaras ar plauktiem, ir atbalsta mehānisms, plauktus var izņemt, paceļot tos augšup.
- Regulējiet un tīriet plauktus atbilstoši savām prasībām.



LV

Dārzeņu atvilktnes tīrīšana

1. Izņemiet atvilktnes saturu. Satveriet dārzeņu atvilktnes rokturi un izvelciet to līdz galam.
2. Paceliet dārzeņu atvilktni uz augšu un izņemiet to, izvelkot to ārā.



UZMANĪBU!

Tīrīšanai ieteicams izmantot mīkstu dvieļu vai sūkli, kas samitrināts ūdenī un nekodīgā neitrālā mazgāšanas līdzeklī. Saldētava jātīra ar tīru ūdeni un sausu drānu. Pirms energopadeves ieslēgšanas atveriet durvis, lai mitrās daļas nožūtu dabiskā ceļā. Ledusskapja tīrīšanai nelietojiet cietas birstes, tērauda bumbas, metāla suku, abrazīvus līdzekļus, piemēram, zobu pastas, organiskus šķīdinātājus (piemēram, alkoholu, acetonu, banānu eļļu u. c.), vārošu ūdeni, skābus vai sārmainus līdzekļus, jo tie var sabojāt ledusskapja virsmu un iekšpusi.

PROBLĒMU NOVĒRŠANA

Tālāk minētās vienkāršās problēmas var risināt pats lietotājs. Sazinieties ar pēcpārdošanas pakalpojumu nodaļu, ja problēma nav atrisināta.

Problēma	Iespējamais cēlonis
Nedarbojas	<ul style="list-style-type: none">• Pārbaudiet, vai ierīce ir savienota ar barošanas avotu un spraudnis ir cieši iesprausts
	<ul style="list-style-type: none">• Pārbaudiet, vai spriegums nav pārāk zems
	<ul style="list-style-type: none">• Pārbaudiet, vai nav traucēta elektroapgāde vai radusies problēma kontūra daļā
Smaka	<ul style="list-style-type: none">• Aromātiski produkti ir cieši jāiesaiņo
	<ul style="list-style-type: none">• Pārbaudiet, vai nav sabojājušos produktu
	<ul style="list-style-type: none">• Iztīriet ledusskapja iekšpusi
Kompresora ilgstoša darbība	<ul style="list-style-type: none">• Ledusskapja ilgstoša darbība vasarā,
	<ul style="list-style-type: none">• kad apkārtējā temperatūra ir augsta, ir normāla parādība. Šajā laikā ledusskapī nav ieteicams uzglabāt pārāk daudz produktu.
	<ul style="list-style-type: none">• Produktiem ir jābūt atdzisušiem pirms to ievietošanas ierīcē
	<ul style="list-style-type: none">• Durvis tiek pārāk bieži virinātas
Lampīņa neiedegas	<ul style="list-style-type: none">• Pārbaudiet, vai ledusskapis ir savienots ar barošanas avotu un vai nav bojāta apgaismojuma lampīņa
	<ul style="list-style-type: none">• Lūdziet speciālistu nomainīt lampīņu
Durvis nevar pareizi aizvērt	<ul style="list-style-type: none">• Durvis traucē aizvērt produktu iepakojumi. Ievietots pārāk daudz produktu
	<ul style="list-style-type: none">• Ledusskapis ir sagāzies.
Skaļš troksnis	<ul style="list-style-type: none">• Pārbaudiet, vai grīda ir līdzena un ledusskapis ir novietots stabili
	<ul style="list-style-type: none">• Pārbaudiet, vai piederumi ir novietoti pareizajās vietās

Problēma	Iespējamais cēlonis
Durvju blīve nav cieša	<ul style="list-style-type: none"> • Noņemiet svešķermeņus no durvju blīves • Sasildiet durvju blīvi un pēc tam atdzesējiet to (sildīšanai varat izmantot elektrisko fēnu vai karstu dvieli)
Ūdens tekne pārplūst	<ul style="list-style-type: none"> • Kamerā ir pārāk daudz produktu vai uzglabātie produkti satur pārāk daudz ūdens, kā rezultātā nepieciešama spēcīga atkausēšana • Durvis nav rūpīgi aizvērtas, gaisa ieplūdes dēļ rodas sarma un atkausēšanas rezultātā ir daudz ūdens
Karsts korpuss	<ul style="list-style-type: none"> • Iebūvētā kondensatora siltuma izkliede caur korpusu, kas ir normāla parādība. Ja korpuss kļūst karsts augstās apkārtējās temperatūras dēļ, pārāk liela pārtikas daudzuma vai kompresora izslēgšanās dēļ, nodrošiniet labu ventilāciju, lai veicinātu siltuma izkliedi.
Virsmas kondensācija	<ul style="list-style-type: none"> • Kondensāts uz ledusskapja ārējās virsmas un durvju blīvēm ir normāla parādība, ja apkārtnes mitrums ir pārāk augsts. Noslaukiet kondensātu ar tīru dvieli.

PIELIKUMS

Īpaši jaunam Eiropas standartam

Pasūtītās detaļas, kas norādītas tabulā, var iegādāties ar servisa nodrošinātāja starpniecību

Pasūtītā daļa	Nodrošina	Minimālais piegādes laiks
Termostati	Profesionāls apkopes personāls	Vismaz 7 gadus pēc pēdējā modeļa palaišanas tirgū
Temperatūras sensori	Profesionāls apkopes personāls	Vismaz 7 gadus pēc pēdējā modeļa palaišanas tirgū
Apdrukātas shēmas plates	Profesionāls apkopes personāls	Vismaz 7 gadus pēc pēdējā modeļa palaišanas tirgū
Gaismas avots	Profesionāls apkopes personāls	Vismaz 7 gadus pēc pēdējā modeļa palaišanas tirgū
Durvju rokturi	Profesionāli labotāji un galalietotāji	Vismaz 7 gadus pēc pēdējā modeļa palaišanas tirgū
Durvju eņģes	Profesionāli labotāji un galalietotāji	Vismaz 7 gadus pēc pēdējā modeļa palaišanas tirgū
Plaukti	Profesionāli labotāji un galalietotāji	Vismaz 7 gadus pēc pēdējā modeļa palaišanas tirgū
Grozi	Profesionāli labotāji un galalietotāji	Vismaz 7 gadus pēc pēdējā modeļa palaišanas tirgū
Durvju blīves	Profesionāli labotāji un galalietotāji	Vismaz 10 gadus pēc pēdējā modeļa palaišanas tirgū

Cienījamais klient,

1. Ja vēlaties nodot atpakaļ vai nomainīt izstrādājumu, lūdzu, sazinieties ar veikalu, kurā to iegādājāties.

(Atcerieties paņemt līdzi pirkuma čeku)

2. Ja izstrādājums ir salūzis un ir nepieciešams remonts, lūdzu, sazinieties ar pēcpārdošanas pakalpojumu sniedzēju.

UZMANĪBU!

Informāciju par konkrēto modeli produktu datubāzē, kā arī modeļa identifikatoru var iegūt, izmantojot tīmekļa saiti, skenējot QR kodu, ja tāds ir, uz izstrādājuma energoefektivitātes marķējuma.

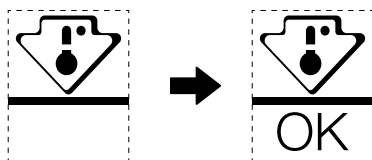
Lai iegūtu papildinformāciju par ierīces energoefektivitāti, apmeklējiet vietni <https://ec.europa.eu> un meklējiet, izmantojot modeļa nosaukumu.

Modeļa nosaukums pieejams uz ierīces datu uzlīmes.

Aukstākā zona ledusskapī

PĒC IZVĒLES: Atbilstošās temperatūras rādītājs

- Atbilstošās temperatūras rādītāju var izmantot, lai noteiktu temperatūru zem +4 °C. Pakāpeniski samaziniet temperatūru, ja nav redzams "OK".



- Lai nodrošinātu temperatūru šajā zonā, nemainiet plaukta pozīciju. Piespiedu gaisa ledusskapjiem (modeļiem ar ventilatoru vai automātiskās atkausēšanas funkciju) aukstākās zonas simbola nav, jo temperatūra iekšpusē ir viendabīga.

Temperatūras indikatora iestatīšana

- Lai palīdzētu jums veikt ledusskapja iestatīšanu, tas ir aprīkots ar temperatūras indikatoru, kas novēro vidējo temperatūru aukstākajā zonā.
- **BRĪDINĀJUMS!** Šis indikators ir paredzēts tikai darbam ar jūsu ledusskapi, nelietojiet to citā ledusskapī (faktiski aukstākā zona nav tāda pati) vai citiem nolūkiem.

Temperatūras pārbaude aukstākajā zonā

- Izmantojot temperatūras indikatoru, jūs varat regulāri pārbaudīt, vai aukstākās zonas temperatūra ir pareiza. Ledusskapja iekšējā temperatūra ir atkarīga no vairākiem faktoriem, piemēram, telpas apkārtējās temperatūras, uzglabāto pārtikas produktu daudzuma un durvju atvēršanas biežuma. Iestatot ierīci, ņemiet vērā šos faktorus.
- Kad indikators rāda "OK", tas nozīmē, ka termostats ir labi noregulēts un iekšējā temperatūra ir pareiza.
- Ja temperatūras indikators nomainās uz BALTU, tas nozīmē, ka temperatūra ir pārāk augsta; šādā gadījumā palieliniet ledusskapja temperatūras kontroles iestatījumu un uzgaidiet 12 stundas, pirms no jauna vizuāli pārbaudāt indikatoru. Kad ir ievietoti svaigi pārtikas produkti vai durvis ir atstātas atvērtas, pēc kāda laika temperatūras indikators, iespējams, nomainīsies uz BALTU.

LV

PORUKA ZAHVALNOSTI

Hvala vam što ste izabrali kompaniju Midea! Pre upotrebe svog novog Midea proizvoda, pažljivo pročitajte ovo uputstvo da biste se uverili da znate kako da na bezbedan način koristite karakteristike i funkcije koje vaš novi uređaj nudi.

SADRŽAJ

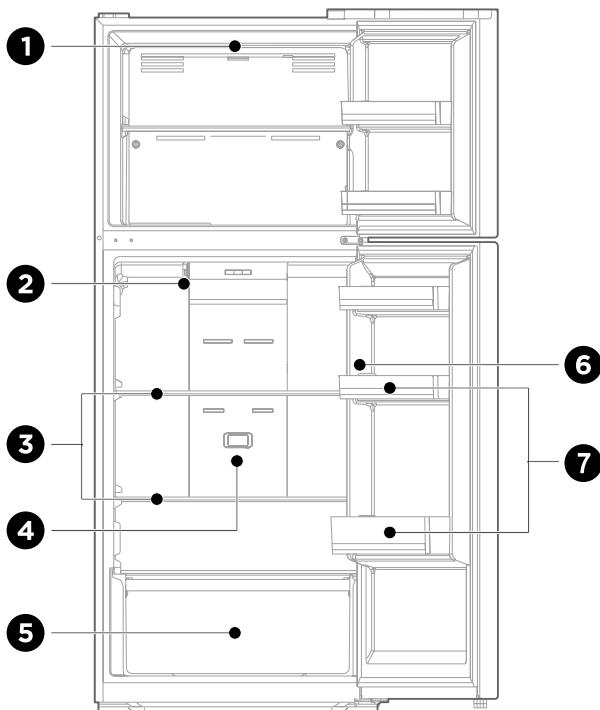
PORUKA ZAHVALNOSTI	01
SPECIFIKACIJE	02
PREGLED PROIZVODA	03
INSTALACIJA PROIZVODA	04
UPUTSTVO ZA RAD	11
ČIŠĆENJE I ODRŽAVANJE	15
OTKLANJANJE PROBLEMA	16
DODATAK	18

SPECIFIKACIJE

Model proizvoda	MDRT489MTE
Nominalni napon/frekvencija	220-240 V~ / 50 Hz
Nazivna jačina struje	0,7 A
Ukupna zapremina	338 L
Zapremina odeljka za čuvanje sveže hrane	254 L
Zapremina odeljka sa četiri zvezdice	84 L
Kapacitet zamrzavanja	3,9 kg/24h
Vreme rasta temperature	10h
Ukupne dimenzije (Š x D x V)	595 x 695 x 1724 mm
Model proizvoda	MDRT580MTE
Nominalni napon/frekvencija	220-240 V~ / 50 Hz
Nazivna jačina struje	1,5 A
Ukupna zapremina	413 L
Zapremina odeljka za čuvanje sveže hrane	306 L
Zapremina odeljka sa četiri zvezdice	107 L
Kapacitet zamrzavanja	5 kg/24 h
Vreme rasta temperature	10h
Ukupne dimenzije (Š x D x V)	700 x 670 x 1723 mm
Model proizvoda	MDRT645MTE
Nominalni napon/frekvencija	220-240 V~ / 50 Hz
Nazivna jačina struje	1,2 A
Ukupna zapremina	463 L
Zapremina odeljka za čuvanje sveže hrane	356 L
Zapremina odeljka sa četiri zvezdice	107 L
Kapacitet zamrzavanja	5 kg/24 h
Vreme rasta temperature	10h
Ukupne dimenzije (Š x D x V)	700 x 691 x 1880 mm

PREGLED PROIZVODA

Nazivi komponenti



1 LED sijalica

2 Ručica vazdušne klapne

3 Polica

4 Dezodorans

5 Kutija za voće i povrće

6 Kontrola temperature

7 Polica za vrata

● PAŽNJA

Slika iznad služi samo za referencu. Stvarna konfiguracija će zavisiti od kupljenog proizvoda ili izjave distributera.

SR

INSTALACIJA PROIZVODA

Uputstvo za instalaciju

Za uređaje za hlađenje sa klimatskom klasom

- U zavisnosti od klimatske klase, ovaj uređaj za hlađenje predviđen je za upotrebu u opsezima temperature okruženja navedenim u sledećoj tabeli.
- Klimatsku klasu možete da pronađete na pločici sa specifikacijama. Proizvod ne može ispravno da funkcioniše na temperaturama van navedenog opsega.
- Klimatsku klasu možete pronaći na nalepnici proizvoda.

Efektivni opseg temperature

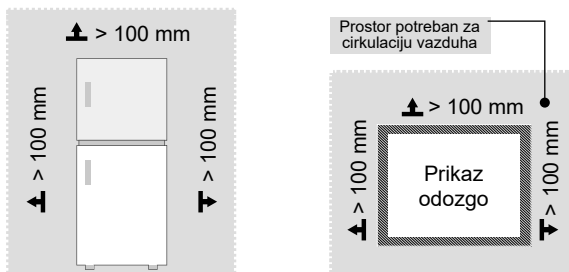
- Proizvod je projektovan tako da normalno radi u opsegu temperature koji je naveden u specifikacijama klase.

Klasa	Simbol	Opseg temperature okoline °C	
		IEC 62552 (ISO 15502)	ISO 8561
Proširena umerena	SN	od +10 do +32	od +10 do +32
Umerena	N	od +16 do +32	od +16 do +32
Subtropska	ST	od +16 do +38	od +18 do +38
Tropska	T	od +16 do +43	od +18 do +43

SR

Dimenzije i razmaci

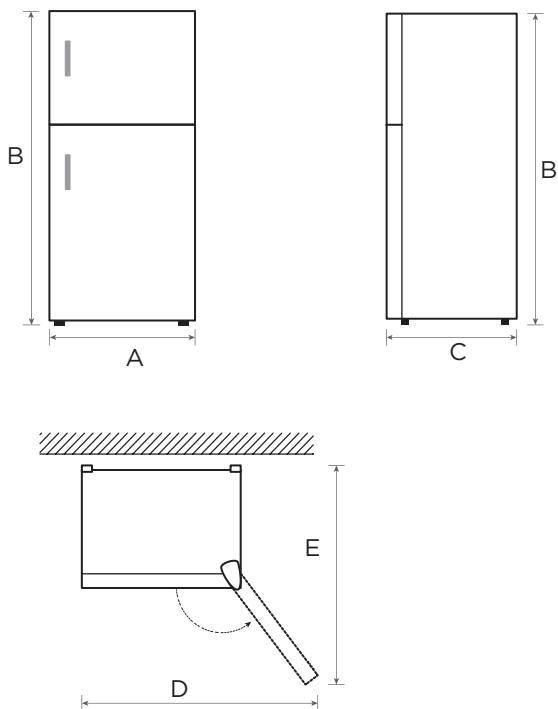
- Ako je udaljenost od susednih predmeta premala, može doći do umanjnja sposobnosti zamrzavanja i povećanja troškova električne energije. Prilikom postavljanja uređaja ostavite više od 100 mm razmaka od svakog susednog zida.



PAŽNJA

Slika iznad služi samo za referencu. Stvarna konfiguracija će zavisiti od kupljenog proizvoda ili izjave distributera.

Dijagram potrebnog prostora (kada su vrata otvorena i zatvorena)




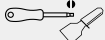


SR

Model proizvoda	Širina	Ukupna visina	Dubina	Širina kad su vrata otvorena pod uglom od 135°	Dubina kad su vrata otvorena pod uglom od 135°
	A	B	C	D	E
MDRT489MTE	595	1724	695	997	1137
Model proizvoda	Širina	Ukupna visina	Dubina	Širina kad su vrata otvorena pod uglom od 125°	Dubina kad su vrata otvorena pod uglom od 125°
	A	B	C	D	E
MDRT580MTE	700	1723	670	1085	1252
MDRT645MTE	700	1880	691	1085	1252

Napomena: Sve dimenzije u mm

Promena vrata desno-levo

Lista alata koje treba da obezbedi korisnik

	Imbus ključ, krstasti odvijač
	Nož za git/lepak, ravan odvijač
	Nasadni ključ 5/16"
	Papirna lepljiva traka

Delovi koji se koriste za promenu strane otvaranja vrata

SN	Delovi	Količina
1	Gornja desna šarka	1
2	Poklopac desne gornje šarke	1
3	Gornja čaura osovine šarke	1
4	Zavrtanj gornje šarke	3
5	Poklopac rupe	1
6	Zavrtanj srednje šarke	2
7	Srednja šarka	1
8	Čep rupe	2
9	Zavrtanj srednjeg stuba	1
10	Poklopac zavrtnja srednjeg stuba	1
11	Prilagodljiva nožica	1
12	Zavrtanj donje šarke	3
13	Sklop donje šarke	1
14	Zavrtanj donjeg poklopca vrata zamrzivača	1
15	Granični blok donjeg poklopca vrata zamrzivača	1
16	Zavrtanj donjeg poklopca vrata frižidera	1
17	Granični blok donjeg poklopca vrata frižidera	1
18	Čaura osovine gornjeg poklopca vrata frižidera	1
19	Donja potpora vrata frižidera	1
20	Pakovanje pribora	4
21	Automatska bravica desnih vrata	1

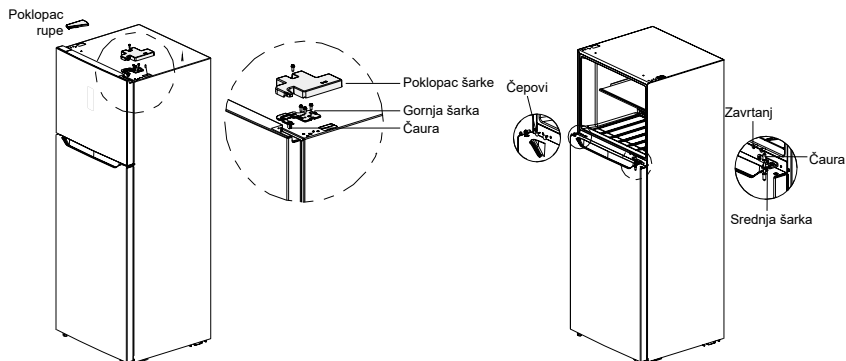
Napomene:

1-19/Unapred je postavljena na frižideru i treba da se koristi i tokom promene načina otvaranja vrata

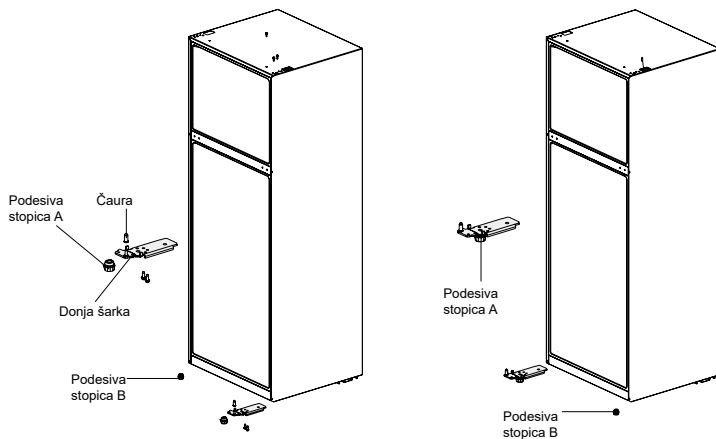
20/Leva gornja šarka, poklopac leve gornje šarke, automatska bravica levih vrata, levi dekorativni poklopac

21/Unapred je postavljena na frižideru, treba da se ukloni i sačuva tokom promene načina otvaranja vrata

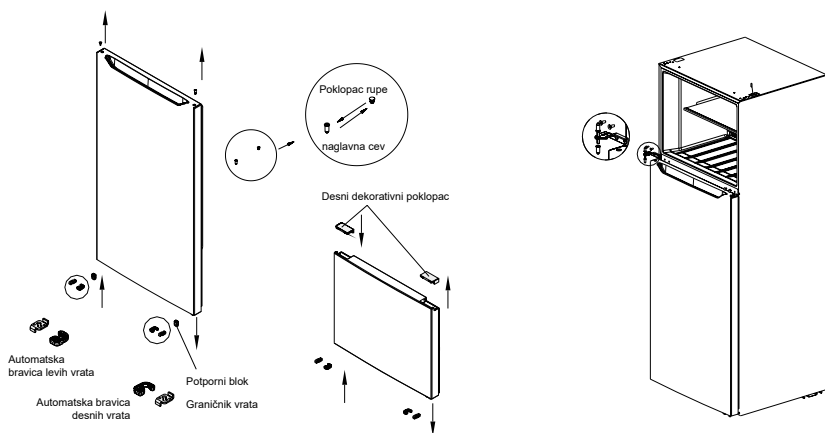
1. Isključite ovaj uređaj pre obavljanja ove radnje.
2. Skinite poklopac šarke i zavrtanj na gornjoj desnoj strani kutije, kao i gornju šarku i poklopac rupe na levoj strani.



3. Odvijte zavrtanji šarke, skinite srednju šarku i gornju čauru osovine, skinite dva poklopca rupe za šarku (čepove) na srednjoj šarki, pa skinite telo vrata sa komore frižidera tako što ćete ih podići.
4. Postavite osovinu šarke i čauru osovine u levu rupu na donjoj šarki, pa zatim levu šarku u levi ugao frižidera, potom podesite stopicu A shodno položaju prikazanom na slici, i na kraju podesite stopicu B u donjem desnom uglu frižidera.

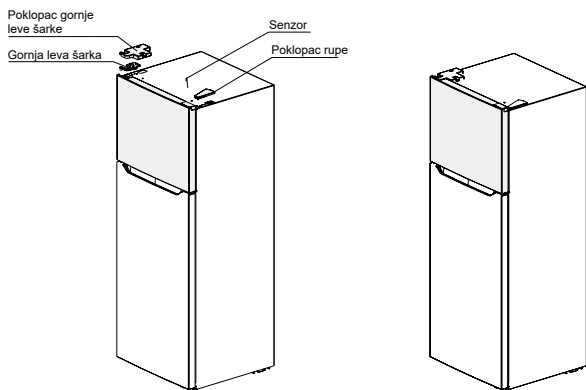


5. Rasklopite graničnik vrata na dva tela vrata i zavrtne automatske bravice desnih vrata, pa izvadite automatsku bravicu levih vrata iz kesice sa priborom i postavite je u levi ugao tela vrata zajedno sa graničnikom vrata; izvadite donji potporni blok komore frižidera i postavite ga u donji levi ugao. Za kraj, izvadite čep rupe i čauru osovine za vrata komore frižidera i podesite im položaje, pa ih postavite na telo vrata. Izvadite desni dekorativni poklopac sa vrata komore frižidera, pa izvadite levi dekorativni poklopac iz kesice sa priborom i postavite ga na komoru, a potom izvadite levi dekorativni poklopac iz kesice sa priborom i postavite ga.



6. Postavite vrata komore frižidera na donju šarku, srednju šarku na levu stranu frižidera i zategnite zavrtnje, a potom postavite i čauru osovine. Postavite čep u rupu na srednjem stubu na drugom kraju.
7. Postavite vrata zamrzivača na srednju šarku, izvadite gornju levu šarku i poklopac iz kesice sa priborom, postavite levu šarku i zategnite zavrtnje, postavite poklopac za gornju levu šarku i zategnite zavrtnj, postavite desni senzor u originalni poklopac leve rupe, pa pričvrstite poklopac rupe na odgovarajućoj kutiji.
8. Nakon obavljanja instalacije.

SR



PAŽNJA

Slika iznad služi samo za referencu. Stvarna konfiguracija će zavisiti od kupljenog proizvoda ili izjave distributera.



Stopice za nivelisanje

Da bi se izbegle vibracije, uređaj mora biti nivelisan.

Ako je potrebno, podesite zavrtnje za nivelisanje da biste kompenzovali neravan pod.

Prednji deo treba da bude nešto viši od zadnjeg da bi se lakše zatvorila vrata.

Zavrtnji za nivelisanje mogu lako da se okreću ako se kućičte malo nagne.

Okrećite zavrtnje za nivelisanje suprotno smeru kazaljke na satu  da biste podigli uređaj ili u smeru kazaljke na satu  da biste ga spustili.

Premeštanje uređaja

1. Uklonite svu hranu iz unutrašnjosti uređaja.
2. Izvucite utikač za napajanje, umetnite i pričvrstite na kuku za utikač na zadnjoj strani ili na vrhu uređaja.
3. Zalepите delove kao što su police i ručka na vratima da ne bi pali dok premeštate uređaj.
4. Uređaj pažljivo premeštajte uz pomoć jedne ili više osoba. Kada transportujete uređaj na velike udaljenosti, uređaj mora biti u uspravnom položaju.
5. Nakon instaliranja uređaja, priključite utikač u utičnicu da biste uključili uređaj.

PAŽNJA

Mere predostrožnosti pre početka upotrebe:

Pre nego što bilo šta promenite, morate da isključite frižider iz utičnice.

Treba preduzeti mere predostrožnosti kako bi se sprečile bilo kakve telesne povrede.

Zamena sijalica

- Svaka zamena ili održavanje LED sijalica je namenjena proizvođaču, njegovom servisnom zastupniku ili sličnoj kvalifikovanoj osobi.

PAŽNJA

MDRT489MTE sadrži svetlosni izvor energetske efikasnosti (F).

MDRT580MTE/MDRT645MTE sadrži dva izvora svetlosti klase energetske efikasnosti (F).

Povezivanje uređaja

Nakon instaliranja uređaja, priključite utikač u utičnicu.

PAŽNJA

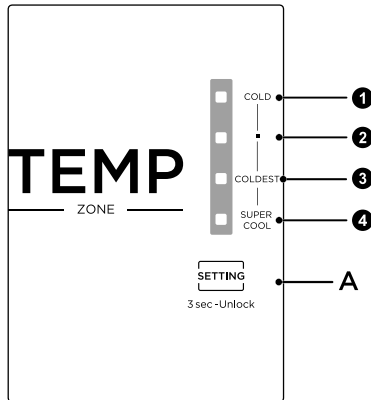
Nakon što priključite kabl za napajanje (ili utikač) u utičnicu, sačekajte 2 ili 3 sata pre nego što stavite hranu u uređaj. Ako dodate hranu pre nego što se uređaj potpuno rashladi, može doći do kvarenja hrane.

Saveti za štednju energije

- Nemojte postavljati uređaj blizu štednjaka, radijatora ili drugih izvora toplote. Ako je temperatura okoline visoka, kompresor će raditi češće i duže, što će dovesti do povećane potrošnje energije.
- Uverite se da postoji dovoljan protok vazduha pri dnu uređaja, na bočnim stranama uređaja i na zadnjoj strani uređaja. Nemojte pokrivati ventilacione otvore.
- Takođe obratite pažnju na dimenzije razmaka u poglavlju „Instalacija“.
- Raspored fioka, polica i poslužavnika prikazan na ilustraciji omogućava najefikasniju iskorišćenost energije i stoga ga treba zadržati koliko god je to moguće. Sve fiokke i police treba da ostanu u uređaju kako bi temperatura bila stabilna i kako bi se štedela energija.
- Da biste dobili veći prostor za skladištenje (npr. za velike rashlađene/zamrznute namirnice), moguće je ukloniti srednje fiokke. Gornje i donje fiokke i police treba ukloniti na kraju, ako je to potrebno.
- Ravnomerno napunjen odeljak frižidera/zamrzivača doprinosi optimalnoj iskorišćenosti energije. Zato izbegavajte da pregrade budu prazne ili poluprazne.
- Ostavite toplu hranu da se ohladi pre nego što je stavite u frižider/zamrzivač. Hrana koja se već ohladila doprinosi većoj energetskej efikasnosti.
- Ostavite zamrznutu hranu da se odmrzava u frižideru. Hladnoća smrznute hrane smanjuje potrošnju energije u odeljku frižidera, što povećava energetskej efikasnost.
- Otvarajte vrata samo onoliko koliko je potrebno da biste smanjili gubitak hladnoće. Kratkim otvaranjem vrata i njihovim pravilnim zatvaranjem smanjujete potrošnju energije.
- Zaptivke na vratima uređaja moraju da budu potpuno netaknute kako bi se vrata pravilno zatvarala i kako se potrošnja energije ne bi nepotrebno povećavala.

UPUTSTVO ZA RAD

Kontrolna tabla



Taster

- Podešavanje 1 (COLD)
- Podešavanje 2 (MID)
- Podešavanje 3 (COLDEST)
- Podešavanje 4 (SUPER COOL)
- Podešavanje A (dugme za podešavanje temperature u odeljku frižidera)

PAŽNJA

Stvarna kontrolna tabla se može razlikovati od modela do modela.

Ekran

- kada se prvi put frižider spoji sa napajanjem, ekran displeja sija 3 sekunde, a zatim frižider radi prema podešavanju 3. U slučaju kvara, odgovarajuće LED svetlo treperi. U slučaju da nema kvara, pokazuje podešavanje temperature frižidera.

Šifra kvara	Opis kvara
Podešavanje indikatora 3 i podešavanje 4	Kvar senzora temperature komore za rashlađivanje
Podešavanje indikatora 2 i podešavanje 4	Kvar senzora odmrzavanja komore za zamrzavanje
Podešavanje indikatora 1 i podešavanje 4	Kvar senzora temperature okoline

SR

Podešavanje temperature

- Svaki put kada se dugme za podešavanje temperature A pritisne, jednom se menja podešavanje temperature. Kad se završi podešavanje temperature, frižider za 15 sekundi počinje da radi po novom podešavanju.
- Podešavanja se menjaju sledećim redosledom:

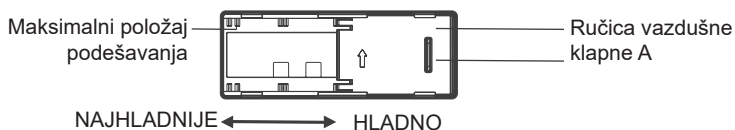


Zaključavanje/otključavanje

- Pritisnite i držite dugme TEMP 3 sekunde da biste otključali, odnosno 30 sekundi da bi se automatski zaključalo ako nema radnje.

Ručica vazdušne klapne

- Temperatura unutar zamrzivača se može podešavati promenom položaja ručice vazdušne klapne. Početni položaj ručice vazdušne klapne je položaj A. Ako je potrebna niža temperatura u zamrzivaču, možete pomeriti ručicu vazdušne klapne iz položaja A ulevo.
- Za bolje korišćenje frižidera, preporučuje se da držite ručicu vazdušne klapne u početnom položaju.



Prestanak upotrebe

- **Nestanak struje:** U slučaju nestanka struje, čak i ako je to leti, hrana unutar uređaja može da se sačuva nekoliko sati; tokom nestanka struje, učestalost otvaranja vrata treba smanjiti i više ne stavljati svežu hranu u uređaj.
- **Dugotrajno nekorišćenje:** Uređaj treba isključiti i zatim očistiti; zatim ostaviti vrata otvorena kako bi se sprečio neprijatan miris.

Saveti za skladištenje hrane

Odeljak zamrzivača

- Zamrzivač je predviđen za skladištenje smrznute hrane na veoma niskim temperaturama, dugotrajno skladištenje smrznute hrane i pravljenje leda.
- Police na vratima zamrzivača koristite isključivo za čuvanje smrznute hrane, a ne za skladištenje vruće hrane koju želite da zamrznete.
- Nemojte stavljati svežu i smrznutu hranu jednu pored druge. Zamrznuta hrana se može odmrznuti.
- Kada zamrzavate svežu hranu (kao što je meso, riba ili seckano meso), isecite ih na delove koji se mogu koristiti u isto vreme.
- Čuvanje smrznute hrane: uputstva su obično navedena na pakovanju i moraju se poštovati. Ako na ambalaži nema nikakvih informacija, hranu ne treba čuvati duže od tri meseca od datuma kupovine.
- Prilikom kupovine smrznute hrane, uverite se da je zamrznuta na odgovarajućoj temperaturi i da pakovanje nije oštećeno.
- Smrznutu hranu treba čuvati u odgovarajućim pakovanjima da bi se održao kvalitet i treba je vratiti u odeljak zamrzivača što je pre moguće.
- Ako na pakovanju smrznute hrane ima vlage ili neuobičajenih ispuščenja, verovatno je čuvano na pogrešnoj temperaturi i sadržaj se pokvario.
- Period skladištenja smrznute hrane zavisi od sobne temperature, podešavanja termostata, učestalosti otvaranja vrata zamrzivača, vrste namirnica i vremena transporta proizvoda od prodavnice do domaćinstva. Obavezno pratite uputstva odštampana na pakovanju i nemojte premašivati maksimalno vreme skladištenja navedeno na pakovanju.

SR

Odeljak za hlađenje

- Da biste smanjili pojavu vlage i naknadno nakupljanje leda, nemojte stavljati tečnost u frižider u nezatvorenim posudama. Led se najčešće skuplja u najhladnijim delovima isparivača. Čuvanje nepokrivenih tečnosti dovodi do potrebe za češćim odleđivanjem.
- Nemojte stavljati toplu hranu u frižider. Prvo treba da se ohladi do sobne temperature i da se zatim postavi tako da se obezbedi odgovarajuća cirkulacija vazduha u frižideru.
- Hrana ili posude za hranu ne treba da dodiruju zadnji zid frižidera jer se mogu zamrznuti za zid. Nemojte često otvarati vrata frižidera.
- Meso i očišćena riba (upakovana u pakovanje ili plastičnu foliju) mogu da se stave u frižider i da se iskoriste za 1–2 dana.
- Voće i povrće bez ambalaže može se staviti u deo predviđen za sveže voće i povrće.

PAŽNJA

Optimalno podešavanje temperature svakog odeljka zavisi od temperature okoline. Temperatura iznad optimalne zasnovana je na temperaturi okoline od 25°C.

Redosled	TIP odeljka	Ciljna temp. za čuvanje [°C]	Pogodne namirnice
1	Frižider	+2 ~ +8	Jaja, kuvana hrana, upakovana hrana, voće i povrće, mlečni proizvodi, kolači, pića i druga hrana nisu pogodni za zamrzavanje.
2	(***)*-Zamrzivač	≤-18	Morski plodovi (riba, škampi, ljuskari), slatkovodni proizvodi i mesni proizvodi (preporučeno 3 meseca; što je vreme skladištenja duže, to su ukus i hranljiva vrednost lošiji), pogodno za smrznute sveže namirnice.
3	***-Zamrzivač	≤-18	Morski plodovi (riba, škampi, ljuskari), slatkovodni proizvodi i mesni proizvodi (preporučeno 3 meseca; što je vreme skladištenja duže, to su ukus i hranljiva vrednost lošiji), pogodno za smrznute sveže namirnice.
4	** -Zamrzivač	≤-12	Morski plodovi (riba, škampi, ljuskari), slatkovodni proizvodi i mesni proizvodi (preporučeno 3 meseca; što je vreme skladištenja duže, to su ukus i hranljiva vrednost lošiji), pogodno za smrznute sveže namirnice.
5	*-Zamrzivač	≤-6	Morski plodovi (riba, škampi, ljuskari), slatkovodni proizvodi i mesni proizvodi (preporučeno 3 meseca; što je vreme skladištenja duže, to su ukus i hranljiva vrednost lošiji), pogodno za smrznute sveže namirnice.
6	0 zvezdica	-6 ~ 0	Sveža svinjetina, govedina, riba, piletina, neke upakovane prerađene namirnice itd. (Preporučuje se konzumacija istog dana, po mogućnosti ne čuvati duže od 3 dana). Delimično enkapsulirana gotova i polugotova hrana (hrana koja se ne zamrzava).
7	Hlađenje	-2 ~ +3	Sveža/zamrznuta svinjetina, govedina, piletina, slatkovodni proizvodi itd. (7 dana ispod 0 °C, dok se pri čuvanju iznad 0 °C preporučuje konzumacija istog dana, po mogućstvu posle najviše 2 dana). Morski plodovi (niže od 0 °C u periodu od 15 dana, ne preporučuje se čuvanje iznad 0 °C).
8	Sveža hrana	0 ~ +4	Sveža svinjetina, govedina, riba, piletina, kuvana hrana itd. (preporučuje se konzumacija istog dana, po mogućstvu posle najviše 3 dana)
9	Vino	+5 ~+20	Crveno vino, belo vino, penušavo vino itd.

PAŽNJA

Čuvajte različite vrste namirnica u odgovarajućim pregradama ili u skladu sa ciljnom temperaturom skladištenja kupljenih proizvoda.

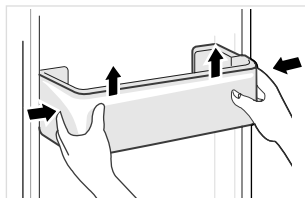
ČIŠĆENJE I ODRŽAVANJE

Odmrzavanje

- Frižider je napravljen po principu hlađenja vazduha i zato ima funkciju automatskog odmrzavanja. Mraz koji se formira zbog promene godišnjeg doba ili temperature može i ručno da se ukloni isključivanjem uređaja sa napajanja ili brisanjem suvim peškirom.

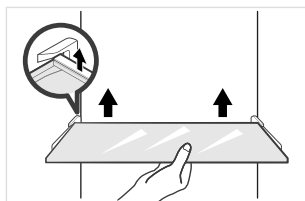
Čišćenje police za vrata

- Prema strelici smera na donjoj slici, sa obe ruke gurnite policu nagore, a zatim je možete izvaditi.
- Nakon pranja police koju ste izvadili, možete da podesite njenu visinu postavljanja prema svojim potrebama.



Čišćenje staklene police

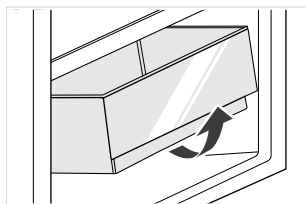
- Kako najdublji unutrašnji deo podloge frižidera gde kontakt sa policama ima graničnik, morate da podignete police nagore, a zatim ih možete izvaditi.
- Podesite ili očistite police prema vašim potrebama.



SR

Čišćenje fioke za povrće

1. Uklonite sadržaj fioke. Uхватite ručku fioke za povrće i izvucite je do kraja, dok se ne zaustavi.
2. Podignite fioku za povrće i uklonite je tako što ćete je izvući.



● PAŽNJA

Za čišćenje se preporučuju meki peškiri ili sunder umočeni u vodu i nekorozivni neutralni deterdženti. Zamrzivač se mora na kraju očistiti čistom vodom i obrisati suvom krpom. Otvorite vrata za prirodno sušenje pre nego što se uključi napajanje. Nemojte koristiti tvrde četke, čelične kuglice za čišćenje, žičane četke, abrazivna sredstva (kao što su paste za zube), organske rastvarače (kao što su alkohol, aceton, ulje banane, itd.), ključalu vodu, kisele ili alkalne predmete da očistite frižider s obzirom da to može da ošteti površinu i unutrašnjost frižidera.

OTKLANJANJE PROBLEMA

Sledeće jednostavne probleme može da reši korisnik. Ukoliko u tome ne uspete, pozovite postprodajno servisno odeljenje.

Problem	Mogući razlog
Uređaj ne radi	• Proverite da li je uređaj priključen na napajanje ili da li je utikač dobro priključen
	• Proverite da li je napon pre nizak
	• Proverite da li postoji prekid napajanja ili isključenje delimičnih kola
Miris	• Hranu koja odaje miris treba dobro umotati
	• Proverite da li ima trulih namirnica
	• Očistite unutrašnjost frižidera
Dugotrajni rad kompresora	• Produženi rad frižidera je uobičajen tokom leta
	• kada su temperature okruženja više. Ne preporučuje se skladištenje većih količina hrane u uređaju tokom tog perioda
	• Hrana treba da se ohladi pre stavljanja u uređaj
	• Vrata se prečesto otvaraju
Svetlo se ne pali	• Proverite da li je frižider priključen na napajanje i da li je svetlo oštećeno
	• Neka svetlo zameni obučena osoba
Vrata se ne mogu dobro zatvoriti	• Vrata su zaglavljena paketima hrane; stavljeno je previše hrane
	• Frižider je nagnut.
Jaka buka	• Proverite da li je pod ravan i da li je frižider stabilno postavljen
	• Proverite da li je dodatna oprema pravilno postavljena

Problem	Mogući razlog
Zaptivka vrata nije čvrsta	<ul style="list-style-type: none"> • Uklonite strane materije na zaptivki vrata • Zagrejte zaptivku vrata, a zatim je ohladite za obnovu (ili je izduvajte električnim sušačem ili koristite vrući peškiri za zagrevanje)
Posuda za vodu se preliva	<ul style="list-style-type: none"> • U odeljku ima previše hrane ili skladištena hrana sadrži previše vode, što dovodi do odmrzavanja • Vrata nisu dobro zatvorena, što dovodi do stvaranja ledenih naslaga, zbog ulaska vazduha i povećanja vode zbog odmrzavanja
Vruće kućište	<ul style="list-style-type: none"> • Toplota se odvodi sa ugrađenog kondenzatora putem kućišta, što je uobičajeno. Kada se kućište pregreje zbog povišene temperature okruženja, prevelike količine uskladištene hrane ili isključivanja kompresora, obezbedite adekvatnu ventilaciju da biste poboljšali odvođenje toplote
Površinska kondenzacija	<ul style="list-style-type: none"> • Kondenzacija na spoljašnjoj površini i zaptivkama vrata frižidera je normalna kad je vlažnost okoline prevelika. Dovoljno je da obrišete kondenzat čistim peškirom.

DODATAK

Posebno za novi evropski standard

Poručene delove navedene u sledećoj tabeli možete nabaviti od dobavljača usluga

Naručeni deo	Dostavlja	Minimalno vreme potrebno za pružanje usluge
Termostati	Stručno osoblje za održavanje	Najmanje 7 godina od stavljanja posljednjeg modela na tržište
Senzori temperature	Stručno osoblje za održavanje	Najmanje 7 godina od stavljanja posljednjeg modela na tržište
Štampane ploče	Stručno osoblje za održavanje	Najmanje 7 godina od stavljanja posljednjeg modela na tržište
Izvori osvetljenja	Stručno osoblje za održavanje	Najmanje 7 godina od stavljanja posljednjeg modela na tržište
Ručice vrata	Profesionalni serviseri i krajnji korisnici	Najmanje 7 godina od stavljanja posljednjeg modela na tržište
Šarke vrata	Profesionalni serviseri i krajnji korisnici	Najmanje 7 godina od stavljanja posljednjeg modela na tržište
Tacne	Profesionalni serviseri i krajnji korisnici	Najmanje 7 godina od stavljanja posljednjeg modela na tržište
Korpe	Profesionalni serviseri i krajnji korisnici	Najmanje 7 godina od stavljanja posljednjeg modela na tržište
Zaptivke vrata	Profesionalni serviseri i krajnji korisnici	Najmanje 10 godina od stavljanja posljednjeg modela na tržište

Poštovani kupci

1. Ako želite da vratite ili zamenite proizvod, kontaktirajte prodavnicu u kojoj ste kupovali. (Ne zaboravite da ponesete račun za kupovinu)
2. Ako se vaš proizvod pokvari i treba da se popravi, kontaktirajte pružaoca postprodajne usluge.

PAŽNJA

Informacije o modelu u bazi podataka o proizvodima, kao i identifikator modela, mogu se saznati na linku koji se otvara kada se skenira QR kod na nalepnici o energetske efikasnosti na proizvodu.

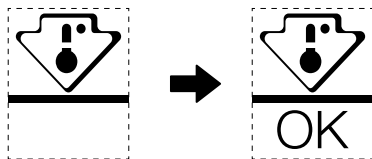
Za više informacija o energetske efikasnosti uređaja, posetite <https://ec.europa.eu> i pretražite koristeći naziv modela.

Naziv modela možete da pronađete na nalepnici uređaja.

Najhladnija zona u frižideru

OPCIJA: Indikator temperature OK

- Indikator temperature OK može da se koristi za određivanje temperatura ispod +4 °C. Postepeno smanjite temperaturu ako znak ne pokazuje „OK”.



- Da bi se održavala ujednačena temperatura u ovoj oblasti, nemojte menjati položaj police. Kod frižidera sa protokom vazduha (opremljeni ventilatorom ili modeli bez stvaranja leda), nema oznake za najhladniju zonu jer je temperatura unutra ravnomerna.

Indikator podešavanja temperature

- Da biste dobro podesili frižider, koristite indikator temperature koji prati prosečnu temperaturu u najhladnijoj zoni.
- UPOZORENJE: Ovaj indikator je projektovan tako da funkcioniše samo sa vašim frižiderom. Nemojte ga koristiti za druge frižidere (najhladnija zona nije ista) niti u druge svrhe.

Provera temperature u najhladnijoj zoni

- Pomoću indikatora temperature možete redovno da proveravate da li je temperatura u najhladnijoj zoni ispravna. Unutrašnja temperatura frižidera zavisi od nekoliko činilaca, kao što su temperatura okruženja u prostoriji, količina hrane u uređaju i učestalost otvaranja vrata. Uzmite ove činioce u obzir kada podešavate uređaj.
- Kada se na indikatoru pokaže „OK”, to znači da je termostat dobro podešen i da je unutrašnja temperatura ispravna.
- Ukoliko indikator temperature postane BEO, to znači da je temperatura previsoka. U tom slučaju postavite podešavanje temperature frižidera na višu vrednost i sačekajte 12 sati, a zatim ponovo vizuelno proverite indikator. Kada u uređaj stavite sveže namirnice ili ostavite otvorena vrata, moguće je da će indikator temperature postati BEO posle nekog vremena.

PISMO ZAHVALE

Hvala što ste odabrali tvrtku Midea! Prije korištenja novog proizvoda tvrtke Midea temeljito pročitajte ovaj priručnik kako biste bili sigurni da znate na siguran način upravljati značajkama i funkcijama svog novog aparata.

SADRŽAJ

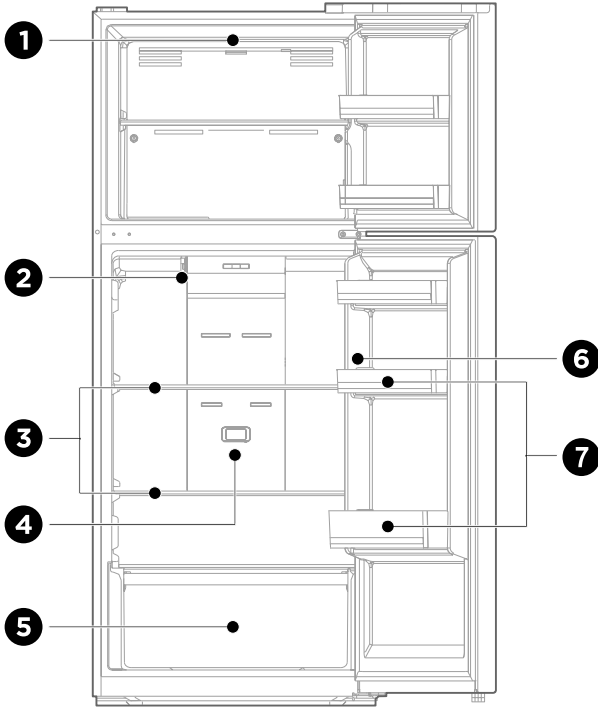
PISMO ZAHVALE -----	01
TEHNIČKI PODACI -----	02
PREGLED PROIZVODA -----	03
INSTALACIJA PROIZVODA -----	04
UPUTE ZA RAD -----	11
ČIŠĆENJE I ODRŽAVANJE -----	15
OTKLANJANJE PROBLEMA -----	16
DODATAK -----	18

TEHNIČKI PODACI

Model proizvoda	MDRT489MTE
Nazivni napon/frekvencija	220 do 240 V~/50 Hz
Nazivna jakost struje	0,7 A
Ukupni volumen	338 L
Kapacitet pretinca za pohranu svježe hrane	254 L
Volumen pretinca od četiri zvjezdice	84 L
Kapacitet zamrzavanja	3,9 kg / 24 h
Vrijeme povećanja temperature	10 h
Ukupne dimenzije (Š x D x V)	595 x 695 x 1724 mm
Model proizvoda	MDRT580MTE
Nazivni napon/frekvencija	220 do 240 V~/50 Hz
Nazivna jakost struje	1,5 A
Ukupni volumen	413 L
Kapacitet pretinca za pohranu svježe hrane	306 L
Volumen pretinca od četiri zvjezdice	107 L
Kapacitet zamrzavanja	5 kg/24 h
Vrijeme povećanja temperature	10 h
Ukupne dimenzije (Š x D x V)	700 x 670 x 1723 mm
Model proizvoda	MDRT645MTE
Nazivni napon/frekvencija	220 do 240 V~/50 Hz
Nazivna jakost struje	1,2 A
Ukupni volumen	463 L
Kapacitet pretinca za pohranu svježe hrane	356 L
Volumen pretinca od četiri zvjezdice	107 L
Kapacitet zamrzavanja	5 kg/24 h
Vrijeme povećanja temperature	10 h
Ukupne dimenzije (Š x D x V)	700 x 691 x 1880 mm

PREGLED PROIZVODA

Nazivi komponentata



- | | | | |
|---|--------------------------------------|---|-------------------------|
| 1 | LED svjetlo | 5 | Kutija za voće i povrće |
| 2 | Klizač zaklopke zraka | 6 | Podešavanje temperature |
| 3 | Polica | 7 | Plitica u vratima |
| 4 | Sklop za uklanjanje neugodnih mirisa | | |

● PAŽNJA

Gornja slika služi samo kao referenca. Stvarna konfiguracija ovisit će o fizičkom proizvodu ili izjavi distributera.

HR

INSTALACIJA PROIZVODA

Upute za instalaciju

Za rashladne uređaje s klimatskim razredom

- Ovisno o klimatskom razredu, ovaj rashladni uređaj namijenjen je uporabi unutar raspona temperature navedenih u donjoj tablici.
- Klimatski razred može se pronaći na natpisnoj pločici. Proizvod možda neće ispravno raditi na temperaturama izvan navedenog raspona.
- Klimatski razred naveden je na naljepnici proizvoda.

Učinkovit temperaturni raspon

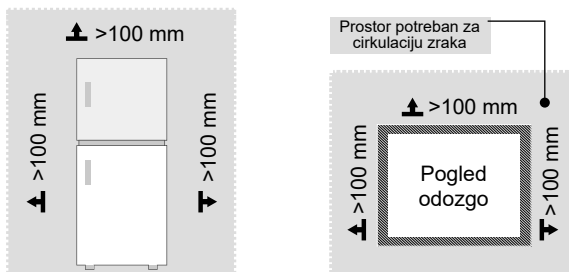
- Proizvod je konstruiran za normalan rad u temperaturnom rasponu koji je određen ocjenom razreda.

Razred	Simbol	Raspon temperature okoline °C	
		IEC 62552 (ISO 15502)	ISO 8561
Prošireni umjereni	SN	+ 10 do + 32	+ 10 do + 32
Umjereni	N	+ 16 do + 32	+ 16 do + 32
Subtropski	ST	+ 16 do + 38	+ 18 do + 38
Tropski	T	+ 16 do + 43	+ 18 do + 43

HR

Dimenzije i razmaci

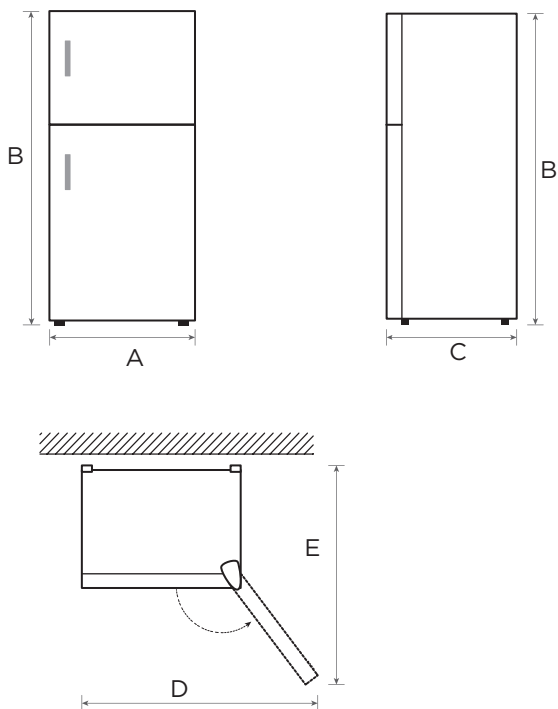
- Premala udaljenost od susjednih elemenata može dovesti do smanjenja kapaciteta zamrzavanja i povećanja troškova električne energije. Prilikom postavljanja uređaja ostavite više od 100 mm slobodnog prostora od svakog susjednog zida.



PAŽNJA

Gornja slika služi samo kao referenca. Stvarna konfiguracija ovisit će o fizičkom proizvodu ili izjavi distributera.

Dijagram s podacima o potrebnom prostoru (s otvorenim i zatvorenim vratima)



HR


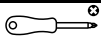
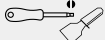



Model proizvoda	Širina	Sveukupna visina	Dubina	Širina s vratima otvorenima 135 °	Dubina s vratima otvorenima 135 °
	A	B	C	D	E
MDRT489MTE	595	1724	695	997	1137

Model proizvoda	Širina	Sveukupna visina	Dubina	Širina s vratima otvorenima 125 °	Dubina s vratima otvorenima 125 °
	A	B	C	D	E
MDRT580MTE	700	1723	670	1085	1252
MDRT645MTE	700	1880	691	1085	1252

Napomena: Sve dimenzije u mm

Promjena lijevih-desnih vrata

Popis alata koje treba osigurati korisnik

		Imbus ključ - Križni odvijač
		Nož za kit, odvijač s tankim vrhom
		5/16" nasadni ključ
		Ljepljiva traka

Dijelovi koje treba koristiti za obrtanje vrata

SN	Dijelovi	Količina
1	Gornja desna šarka	1
2	Poklopac gornje desne šarke	1
3	Rukavac osovine gornje šarke	1
4	Vijak gornje šarke	3
5	Poklopac otvora	1
6	Vijak srednje šarke	2
7	Srednja šarka	1
8	Čep za otvor	2
9	Vijak srednje letvice	1
10	Poklopac vijka srednje letvice	1
11	Podesiva nožica	1
12	Vijak donje šarke	3
13	Sklop donje šarke	1
14	Poklopac donjeg vijka vrata zamrzivača	1
15	Poklopac donjeg stopera vrata zamrzivača	1
16	Poklopac donjeg vijka vrata hladnjaka	1
17	Poklopac donjeg stopera vrata hladnjaka	1
18	Poklopac gornjeg rukavca osovine vrata hladnjaka	1
19	Donji podupirač vrata hladnjaka	1
20	Vrećica s dodatnim priborom	4
21	Samozaključavajuća brava za desnu stranu vrata	1

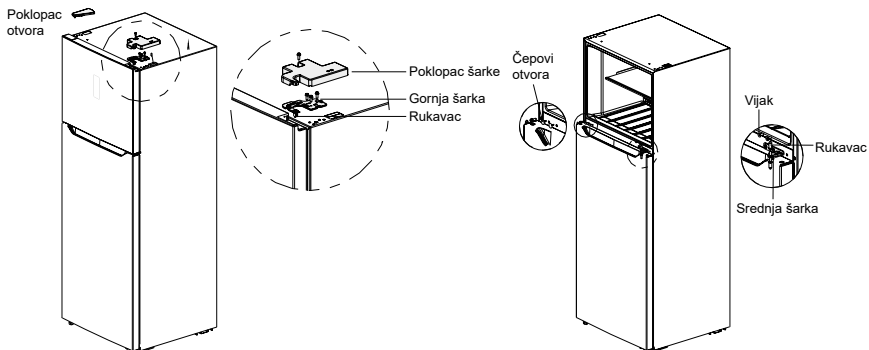
Napomene:

1-19/Tvornički ugrađeno, potrebno za promjenu smjera otvaranja vrata

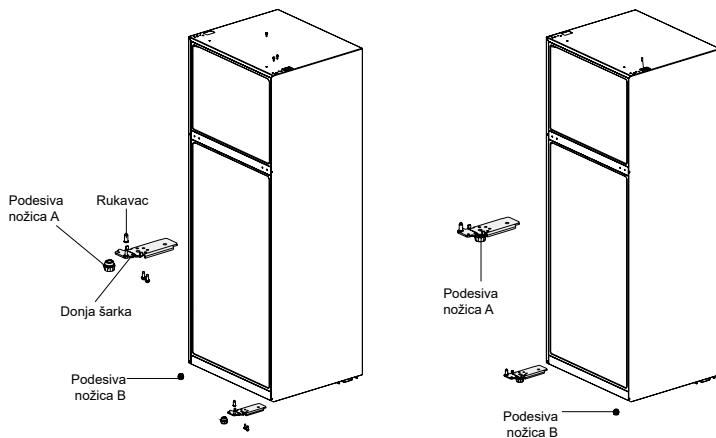
20/Gornja lijeva šarka, poklopac gornje lijeve šarke, samozaključavajuća brava za lijevu stranu vrata, lijevi dekorativni poklopac

21/Tvornički ugrađeno, potrebno ukloniti i sačuvati za promjenu smjera otvaranja vrata

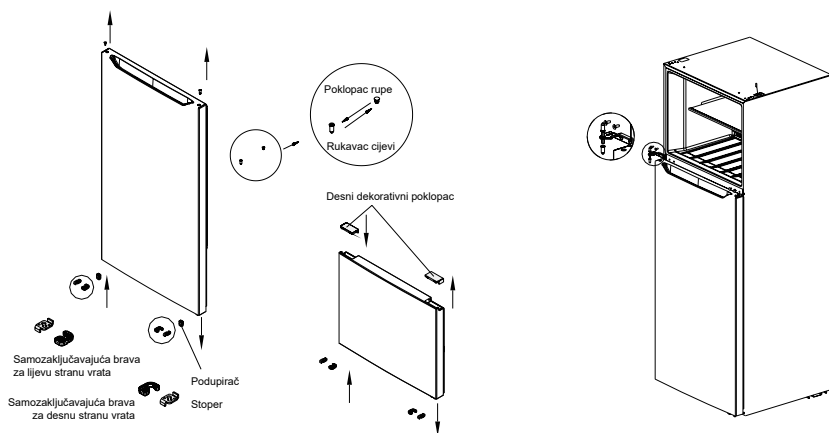
1. Prije izvođenja ove operacije isključite uređaj iz napajanja.
2. Skinite poklopac šarke i vijak s gornje desne strane te gornju šarku i poklopac otvora s lijeve strane.



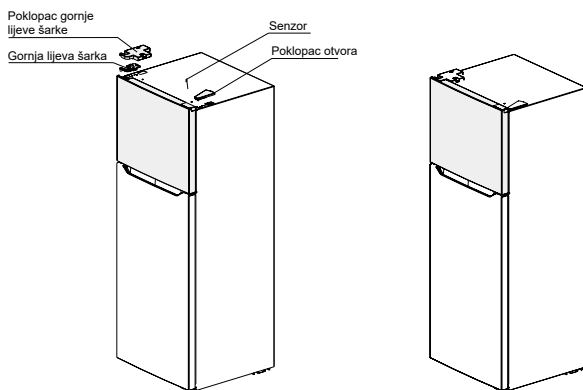
3. Odvrnite vijak šarke, skinite srednju šarku i rukavac gornje osovine, skinite dva čepa otvora srednje šarke i skinite vrata hladnjaka tako da ih podignete.
4. Postavite osovinu šarke i rukavac osovine u lijevi otvor donje šarke, a donju šarku u lijevi kut hladnjaka. Zatim montirajte podesivu nožicu A u položaj prikazan na slici te na kraju montirajte podesivu nožicu B na donji desni kut hladnjaka.



5. Skinite stopere s oba vrata i samozaključavajuće brave s desne strane. Zatim iz vrećice s dodatnim priborom izvadite samozaključavajuću bravu za lijevu stranu vrata i postavite je u lijevi kut vrata zajedno sa stoperom. Skinite donji podupirač vrata hladnjaka i premjestite ga u donji lijevi kut. Zatim izvadite čep otvora i rukavac osovine za vrata hladnjaka i podesite njihove položaje te ih montirajte na vrata. Skinite desni dekorativni poklopac s vrata hladnjaka. Zatim izvadite lijevi dekorativni poklopac iz vrećice s dodatnim priborom i montirajte ga.



6. Postavite vrata hladnjaka na donju šarku, srednju šarku montirajte na lijevu stranu hladnjaka, pritegnite vijke i dobro učvrstite rukavac osovine. Postavite čep otvora na srednjoj letvici na drugu stranu.
7. Postavite vrata zamrzivača na srednju šarku. Iz vrećice s priborom izvadite gornju lijevu šarku i njezin poklopac. Montirajte lijevu šarku i zategnite vijke. Postavite poklopac gornje lijeve šarke i pričvrstite ga vijkom. Postavite desni senzor u originalni poklopac lijevog otvora, zatim postavite poklopac otvora na desnu stranu.
8. U nastavku je prikazana slika nakon dovršetka.



● PAŽNJA

Gornja slika služi samo kao referenca. Stvarna konfiguracija ovisit će o fizičkom proizvodu ili izjavi distributera.

Nožice za niveliranje

Kako biste izbjegli vibracije, uređaj trebate nivelirati.

Ako je potrebno, podesite vijke za niveliranje kako biste kompenzirali neravnine poda.

Prednja strana treba biti malo viša od stražnje radi lakšeg zatvaranja vrata.

Vijci za niveliranje mogu se lako okrenuti laganim naginjanjem kućišta.

Okrenite vijke za niveliranje u smjeru suprotnom od kazaljke na satu  za podizanje uređaja, a u smjeru kazaljke na satu  za spuštanje.

Premještanje uređaja

1. Izvadite svu hranu iz uređaja.
2. Izvucite utikač, umetnite ga i pričvrstite u kuku utikača na stražnjoj ili gornjoj strani uređaja.
3. Zalijepite dijelove kao što su police i ručka na vratima kako biste spriječili da otpadnu tijekom premještanja uređaja.
4. Pažljivo premještajte uređaj s više od dvije osobe. Kada prenosite uređaj na velike udaljenosti, držite ga uspravno.
5. Nakon postavljanja uređaja, uključite utikač u utičnicu kako biste uključili uređaj.

PAŽNJA

Mjere predostrožnosti prije rada:

Prije provođenja izmjena hladnjak morate isključiti iz napajanja.

Valja se pridržavati mjera opreza kako bi se spriječile ozljede.

Zamjena žarulje

- Bilo kakvu zamjenu ili održavanje LED svjetiljki treba izvršiti proizvođač, njegov servis ili slična kvalificirana osoba.

PAŽNJA

MDRT489MTE sadrži izvor svjetlosti klase energetske učinkovitosti (F).

MDRT580MTE/MDRT645MTE sadrži dva izvora svjetlosti klase energetske učinkovitosti (F).

Priključivanje uređaja

Nakon instaliranja uređaja, ukopčajte utikač u utičnicu.

PAŽNJA

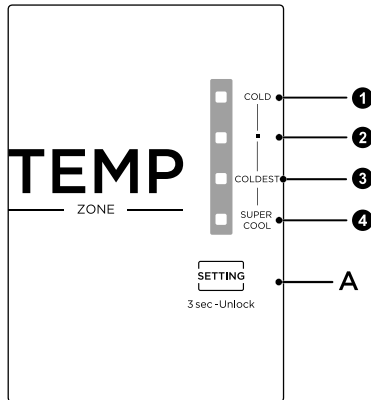
Nakon što spojite kabel za napajanje (ili utikač) u utičnicu, pričekajte 2 ili 3 sata i onda stavite hranu u uređaj. Ako stavite hranu prije nego što se uređaj potpuno ohladi, hrana bi se mogla pokvariti.

Savjeti za uštedu energije

- Uređaj ne postavljajte blizu kuhala, radijatora ili drugih izvora topline. Ako je temperatura okoline visoka, kompresor će češće i dulje raditi i tako trošiti više električne energije.
- Pazite da postoji dovoljno ventilacije ispod baze uređaja te na bočnim i stražnjoj strani uređaja. Otvore za ventilaciju nikad nemojte pokrivati.
- Također, u poglavlju "Instalacija" pogledajte koliki bi trebao biti razmak.
- Raspored ladica, polica i stalaka, kao što je prikazan na slici, osigurava najučinkovitiju potrošnju energije i stoga se do najveće moguće mjere treba zadržati. Sve ladice i police trebaju ostati u uređaju da bi se održavala stabilna temperatura i štedjela energija.
- Za postizanje većeg prostora za pohranu (npr. za veće ohlađene/zamrznute namirnice) srednje ladice mogu se izvaditi. Gornja i donja ladica i police trebaju se posljednje izvaditi, ako je potrebno.
- Ravnomjerno ispunjen pretinac hladnjaka/zamrzivača doprinosi optimalnoj potrošnji energije. Stoga izbjegavajte prazne ili poluprazne pretince.
- Pustite da se topla hrana ohladi prije nego što je stavite u hladnjak/zamrzivač. Hrana koja je već ohlađena povećava energetska učinkovitost.
- Pustite da se zamrznuta hrana odmrzne u hladnjaku. Hladnoća zamrznute hrane smanjuje potrošnju energije u pretincu hladnjaka i stoga povećava energetska učinkovitost.
- Otvarajte vrata samo koliko je potrebno kako biste minimizirali gubitak hladnoće. Kratko otvaranje i ispravno zatvaranje vrata smanjuje potrošnju energije.
- Brtve na vratima uređaja moraju biti u savršenom stanju kako bi se vrata ispravno zatvarala i kako se potrošnja energije ne bi nepotrebno povećavala.

UPUTE ZA RAD

Upravljačka ploča



Tipka

- Postavka 1 (COLD)
- Postavka 2 (MID)
- Postavka 3 (COLDEST)
- Postavka 4 (SUPER COOL)
- Postavka A (tipka za podešavanje temperature hladnjaka)

PAŽNJA

Stvarna upravljačka ploča može se razlikovati ovisno o modelu.

Zaslon

- prilikom prvog spajanja uređaja na napajanje, svi indikatori na zaslonu zasvijetle na 3 sekunde, potom se aktivira postavka 3. U slučaju kvara ili nepravilnosti, treperi odgovarajuće LED svjetlo. Ako je sve u redu, prikazana je temperatura hladnjaka.

Oznaka kvara	Opis kvara
Indikator postavke 3 i postavke 4	Kvar senzora temperature rashladne komore
Indikator postavke 2 i postavke 4	Kvar senzora odmrzavanja zamrzivača
Indikator postavke 1 i postavke 4	Kvar senzora vanjske temperature

Podešavanje temperature

- Svakim pritiskom tipke za podešavanje temperature (A), temperatura se mijenja za jedan korak. Po završetku podešavanja temperature, nova se postavka aktivira nakon 15 sekundi.
- Postavke se mijenjaju sljedećim redom:



Zaključavanje/otključavanje

- Zadržite pritisnutom tipku TEMP na 3 sekunde za otključavanje i 30 sekundi za automatsko zaključavanje u slučaju neaktivnosti.

Klizač zaklopke zraka

- Temperatura zamrzivača može se podesiti pomicanjem klizača. Početni mu je položaj A. Želite li nižu temperaturu zamrzivača, pomaknite klizač ulijevo.
- Za bolji rad uređaja, savjetujemo da klizač ostavite u početnom položaju.



Prestanak uporabe

- **Prekid napajanja:** U slučaju nestanka struje, čak i ljeti, hrana unutar uređaja može se držati nekoliko sati; tijekom nestanka struje, vrijeme otvaranja vrata smanjit će se i u uređaj se više neće stavljati svježa hrana.
- **Dugotrajna neuporaba:** Uređaj treba isključiti i zatim očistiti; tada vrata ostaju otvorena kako bi se spriječio miris.

Savjeti za pohranu hrane

Pretinac zamrzivača

- Zamrzivač je namijenjen pohrani zamrznute hrane na vrlo niskoj temperaturi, dugoročnoj pohrani zamrznute hrane i proizvodnji leda.
- Upotrebljavajte police u vratima samo za pohranjivanje zamrznute hrane, a ne za pohranjivanje vruće hrane koja je namijenjena zamrzavanju.
- Svježu i smrznutu hranu ne postavljajte jednu pored druge. Zamrznuta bi se hrana mogla otopiti.
- Prilikom zamrzavanja svježe hrane (kao što su meso, riba ili mljeveno meso) izrežite je na dijelove koji se mogu odjednom koristiti.
- Pohrana zamrznute hrane: upute se uglavnom nalaze na pakiranjima i moraju se slijediti. Ako ne postoje informacije na pakiranju, hrana se ne smije pohranjivati na dulje od tri mjeseca od datuma kupnje.
- Prilikom kupnje zamrznute hrane pazite da je zamrznuta na prikladnoj temperaturi i da pakiranje nije oštećeno.
- Zamrznuta hrana treba se držati u odgovarajućim pakiranjima da se zadrži kvaliteta i treba se vratiti u pretinac zamrzivača što je prije moguće.
- Ako pakiranje zamrznute hrane pokazuje vlagu ili nenormalno bubrenje, vjerojatno je bilo pohranjeno na pogrešnoj temperaturi pa je sadržaj pokvaren.
- Razdoblje pohrane hrane ovisi o sobnoj temperaturi, postavki termostata, učestalosti otvaranja vrata zamrzivača, vrsti hrane i vremenu transporta proizvoda od prodavaonice do kućanstva. Uvijek slijedite upute otkisnute na pakiranju i nikad ne prekoračujte maksimalno vrijeme pohrane navedeno na pakiranju.

Pretinac za hlađenje

- Da biste smanjili vlagu i posljedično nakupljanje leda, tekućinu nikad ne stavljajte u hladnjak u nezatvorenim spremnicima. Led se koncentrira u najhladnijim dijelovima isparivača. Pohranjivanje nepokrivenih tekućina rezultira češćim potrebama za odmrzavanjem.
- U hladnjak nikad ne postavljajte toplu hranu. Nju najprije trebate ohladiti na sobnu temperaturu, a zatim je postaviti tako da osigurate odgovarajuću cirkulaciju zraka u hladnjaku.
- Hrana ili spremnici s hranom ne smiju dodirivati stražnju stijenku hladnjaka jer bi se mogli zamrznuti i zalijepiti za nju. Nemojte često otvarati vrata hladnjaka.
- Meso i očišćena riba (pakirano u paket ili u plastičnu foliju) mogu se postaviti u hladnjak i mogu se upotrijebiti za 1 – 2 dana.
- Voće i povrće bez pakiranja može se postaviti u dio namijenjen svježem voću i povrću.

PAŽNJA

Optimalna postavka temperature za svaki pretinac ovisi o temperaturi okoline. Temperatura iznad optimalne temelji se na temperaturi okoline od 25 °C.

Redoslijed	TIP pretinca	Ciljna temp. pohrane [°C]	Prikladna hrana
1	Hladnjak	+2 ~ +8	Jaja, kuhana hrana, pakirana hrana, voće i povrće, mliječni proizvodi, kolači, pića i druga hrana koja nije prikladna za zamrzavanje.
2	(***)*-Zamrzivač	≤-18	Morski plodovi (riba, rakovi, školjke), slatkovodni i mesni proizvodi (preporučuje se do 3 mjeseca, što je dulje vrijeme čuvanja, to su lošiji okus i prehrambena svojstva), prikladno za zamrznutu svježiju hranu.
3	***-Zamrzivač	≤-18	Morski plodovi (riba, rakovi, školjke), slatkovodni i mesni proizvodi (preporučuje se do 3 mjeseca, što je dulje vrijeme čuvanja, to su lošiji okus i prehrambena svojstva), prikladno za zamrznutu svježiju hranu.
4	** -Zamrzivač	≤-12	Morski plodovi (riba, rakovi, školjke), slatkovodni i mesni proizvodi (preporučuje se do 3 mjeseca, što je dulje vrijeme čuvanja, to su lošiji okus i prehrambena svojstva), prikladno za zamrznutu svježiju hranu.
5	*-Zamrzivač	≤-6	Morski plodovi (riba, rakovi, školjke), slatkovodni i mesni proizvodi (preporučuje se do 3 mjeseca, što je dulje vrijeme čuvanja, to su lošiji okus i prehrambena svojstva), prikladno za zamrznutu svježiju hranu.
6	0-zvezdica	-6 ~ 0	Svježa svinjetina, govedina, riba, piletina, pojedina pakirana prerađena hrana itd. (Preporučuje se konzumirati unutar istog dana, po mogućnosti ne više od 3 dana). Djelomično inkapsulirana procesirana hrana (hrana koja se ne zamrzava).
7	Hlađenje	-2 ~ +3	Svježa zamrznuta svinjetina, govedina, piletina, slatkovodni proizvodi itd. (7 dana ispod 0 °C, a iznad 0 °C preporučuje se za konzumiranje taj dan, u ne više od 2 dana). Morska hrana (15 dana ispod 0 °C, ne preporučuje se čuvanje iznad 0 °C.)
8	Svježa hrana	0 ~ +4	Svježa svinjetina, govedina, riba, piletina, kuhana hrana itd. (Preporučuje se da je pojedete u istom danu, u ne više od 3 dana)
9	Vino	+5 ~+20	Crno vino, bijelo vino, pjenušac itd.

HR

 **PAŽNJA**

raznu hranu čuvajte u skladu s pretincima ili ciljanim temperaturama pohrane kupljenog proizvoda.

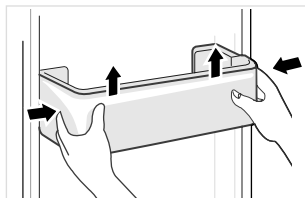
ČIŠĆENJE I ODRŽAVANJE

Odmrzavanje

- Hladnjak je proizveden na temelju hlađenja zrakom i stoga ima funkciju odmrzavanja. Inje nastalo zbog promjene godišnjeg doba ili temperature može se ukloniti i ručnim isključivanjem uređaja iz napajanja ili brisanjem suhim ručnikom.

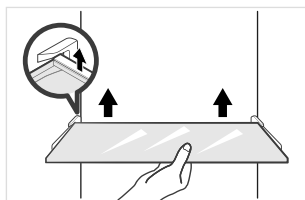
Čišćenje ladice vrata

- Prema strelici smjera na donjoj slici, upotrijebite obje ruke ladicu i gurnite je prema gore, a zatim je možete izvaditi.
- Nakon što ste izvadili ladicu nakon što ste je izvadili, možete prilagoditi njezinu visinu ugradnje u skladu sa svojim zahtjevima.



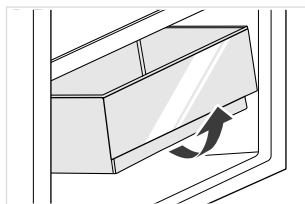
Čišćenje staklene police

- Kako unutarnji dio obloge hladnjaka gdje kontakt s policama ima zapornicu, podignite police prema gore, a zatim je možete izvaditi.
- Podesite ili očistite police prema vašim zahtjevima.



Čišćenje ladice za povrće

1. Ispraznite ladicu. Držite ručku ladice za povrće i potpuno je izvucite dok se ne zaustavi.
2. Podignite ladicu za povrće i izvucite je.



● PAŽNJA

Za čišćenje se preporučuju mekani ručnici ili spužva umočeni u vodu i nekorozivni neutralni deterdženti. Zamrzivač konačno očistite čistom vodom i suhom krpom. Otvorite vrata za prirodno sušenje prije nego što se napajanje uključi. Ne upotrebljavajte tvrde četke, čiste čelične kuglice, žičane četke, abrazive, kao što su paste za zube, organska otapala (poput alkohola, acetona, banana ulje itd.), kipuću vodu, kiseline ili alkalne predmete čistite hladnjak s obzirom da to može oštetiti površina i unutrašnjost hladnjaka.

OTKLANJANJE PROBLEMA

Sljedeće probleme možete pokušati riješiti sami. Ako ne uspijete, molimo da se obratite ovlaštenom servisu.

Problem	Mogući razlog
Neispravan rad	• Provjerite je li uređaj priključen na struju ili je li utikač ima kontakt.
	• Provjerite je li napon prenizak
	• Provjerite postoji li prekid napajanja ili su se isključili djelomični krugovi.
Neugodan miris	• Hrana s mirisom mora biti čvrsto zamotana.
	• Provjerite ima li trule hrane.
	• Očistite unutrašnjost hladnjaka.
Dugotrajni rad kompresora.	• Dugi rad hladnjaka normalan je ljeti
	• kada je temperatura okoline visoka. Nije preporučljivo odjednom imati previše hrane u uređaju
	• Hrana će se ohladiti prije stavljanja u uređaj.
	• Vrata se prečesto otvaraju.
Svjetlo se ne pali	• Provjerite je li hladnjak priključen na napajanje i je li rasvjetno tijelo oštećeno.
	• Zamjenu svjetla prepustite stručnjaku
Vrata se ne mogu pravilno zatvoriti	• Vrata se ne mogu zatvoriti zbog paketa hrane. Previše hrane u hladnjaku.
	• Hladnjak je nagnut.
Glasna buka	• Provjerite je li pod ravan i je li hladnjak stabilno postavljen.
	• Provjerite nalazi li se pribor na ispravnim mjestima

Problem	Mogući razlog
Brtva vrata nije čvrsta	<ul style="list-style-type: none"> • Uklonite strane stvari na brtvi vrata. • Zagrijte brtvu vrata, a zatim je ohladite za restauraciju (ili je ispuhnite električnim sušilom ili koristite vrući ručnik za zagrijavanje).
Posuda za vodu se prelijeva	<ul style="list-style-type: none"> • U komori ima previše hrane ili pohranjena hrana sadrži previše vode, što rezultira intenzivnim odmrzavanjem • Vrata nisu ispravno zatvorena, što rezultira zamrzavanjem zbog ulaska zraka i povećanom količinom vode zbog odmrzavanja
Vruće kućište	<ul style="list-style-type: none"> • Odvođenje topline ugrađenog kondenzatora preko kućišta, što je normalno. Kad se kućište zagrije zbog visoke vanjske temperature, prevelike količine hrane ili isključivanja kompresora, osigurajte adekvatnu ventilaciju kako biste olakšali odvođenje topline
Površinska kondenzacija	<ul style="list-style-type: none"> • Kondenzacija na vanjskoj površini i brtvama vrata hladnjaka normalna je kad je vlažnost okoline previsoka. Dovoljno je obrisati kondenzat čistim ručnikom.

DODATAK

Posebno za novi europski standard

Naručeni dijelovi u sljedećoj tablici mogu se nabaviti putem kanala davatelja usluga

Naručeni dio	Pružatelj	Minimalno vrijeme potrebno za nabavu
Termostati	Stručno osoblje za održavanje	Najmanje 7 godina nakon što je posljednji model lansiran na tržište
Senzori temperature	Stručno osoblje za održavanje	Najmanje 7 godina nakon što je posljednji model lansiran na tržište
Tiskane pločice	Stručno osoblje za održavanje	Najmanje 7 godina nakon što je posljednji model lansiran na tržište
Izvori svjetla	Stručno osoblje za održavanje	Najmanje 7 godina nakon što je posljednji model lansiran na tržište
Ručke na vratima	Profesionalni serviseri i krajnji korisnici	Najmanje 7 godina nakon što je posljednji model lansiran na tržište
Šarke na vratima	Profesionalni serviseri i krajnji korisnici	Najmanje 7 godina nakon što je posljednji model lansiran na tržište
Police	Profesionalni serviseri i krajnji korisnici	Najmanje 7 godina nakon što je posljednji model lansiran na tržište
Košare	Profesionalni serviseri i krajnji korisnici	Najmanje 7 godina nakon što je posljednji model lansiran na tržište
Brtve vrata	Profesionalni serviseri i krajnji korisnici	Najmanje 10 godina nakon što je posljednji model lansiran na tržište

Poštovani kupče

1. Ako želite vratiti ili zamijeniti proizvod, kontaktirajte trgovinu u kojoj kupujete.
(Ne zaboravite ponijeti račun za kupnju)
2. Ako se vaš proizvod pokvari i treba ga popraviti, kontaktirajte davatelja usluga nakon prodaje.

PAŽNJA

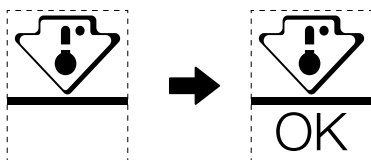
Informacije o modelu u bazi podataka o proizvodu, kao i identifikator modela, mogu se dobiti putem web-poveznice skenirane QR kodom, ako postoji, na naljepnici energetske učinkovitosti proizvoda. Za više informacija o energetske učinkovitosti uređaja posjetite <https://ec.europa.eu> i pretražite naziv modela.

Naziv modela naveden je na naljepnici s podacima.

Najhladnija zona u hladnjaku

DODATNO: OK-indikator temperature

- OK-indikator temperature može se koristiti za određivanje temperatura ispod +4°C. Postupno smanjite temperaturu ako znak ne pokazuje "OK".



- Kako biste osigurali temperaturu u tom području, nemojte mijenjati položaj police. Hladnjaci s hlađenjem pod pritiskom (opremljeni ventilatorom ili modeli bezinja), simbol najhladnije zone nije predstavljen jer je unutarnja temperatura homogena.

Postavka indikatora temperature

- Kao pomoć pri pravilnom postavljanju hladnjaka imate indikator temperature koji će pratiti prosječnu temperaturu u najhladnijoj zoni.
- UPOZORENJE: Ovaj indikator namijenjen je isključivo radu s vašim hladnjakom, nemojte ga koristiti na drugom hladnjaku (najhladnija zona nije ista) ili za drugu namjenu.

Provjera temperature u najhladnijoj zoni

- Indikator temperature omogućuje redovitu provjeru je li temperatura najhladnije zone točna. Zaista, unutarnja temperatura hladnjaka ovisi o nekoliko čimbenika kao što su temperatura u prostoriji, količina hrane i učestalost otvaranja vrata. Kod postavljanja uređaja razmotrite te čimbenike.
- Kad indikator prikazuje "OK", to znači da je termostat dobro podešen i da je unutarnja temperatura ispravna.
- Ako indikator temperature postane BIJELI, to znači da je temperatura previsoka, u tom slučaju povećajte postavku kontrole temperature hladnjaka i pričekajte 12 sati prije novog vizualnog pregleda indikatora. Kad stavite svježiju hranu ili ostavite vrata otvorena, moguće je da će nakon nekog vremena indikator postati BIJELI.

KÖSZÖNŐLEVÉL

Köszönjük, hogy a Midea-t választotta! Mielőtt használná az új Midea készülékét, kérjük, olvassa el figyelmesen ezt az útmutatót, hogy tudja, hogyan működtetheti biztonságosan az új készüléke által kínált funkciókat.

TARTALOM

KÖSZÖNŐLEVÉL	01
MŰSZAKI JELLEMZŐK	02
A TERMÉK ÁTTEKINTÉSE	03
A TERMÉK TELEPÍTÉSE	04
ÜZEMELTETÉSI UTASÍTÁSOK	11
TISZTÍTÁS ÉS KARBANTARTÁS	15
HIBAELHÁRÍTÁS	16
MELLÉKLET	18

MŰSZAKI JELLEMZŐK

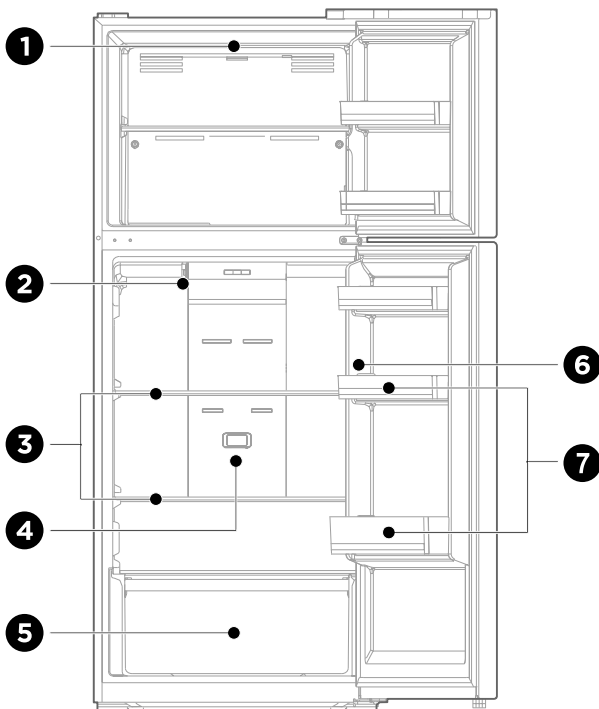
Terméktípus	MDRT489MTE
Névleges feszültség/frekvencia	220–240 V~ / 50 Hz
Névleges áramerősség	0,7 A
Teljes térfogat	338 L
Frissélelmiszer-rekesz térfogata	254 L
Négycsillagos rekesz térfogata	84 L
Fagyasztási kapacitás	3,9 kg/24 h
Hőmérséklet-emelkedési idő	10 h
Külső méretek (Sz x Mé x Ma)	595x695x1724 mm

Terméktípus	MDRT580MTE
Névleges feszültség/frekvencia	220–240 V~ / 50 Hz
Névleges áramerősség	1,5 A
Teljes térfogat	413 L
Frissélelmiszer-rekesz térfogata	306 L
Négycsillagos rekesz térfogata	107 L
Fagyasztási kapacitás	5 kg / 24 h
Hőmérséklet-emelkedési idő	10 h
Külső méretek (Sz x Mé x Ma)	700x670x1723 mm

Terméktípus	MDRT645MTE
Névleges feszültség/frekvencia	220–240 V~ / 50 Hz
Névleges áramerősség	1,2 A
Teljes térfogat	463 L
Frissélelmiszer-rekesz térfogata	356 L
Négycsillagos rekesz térfogata	107 L
Fagyasztási kapacitás	5 kg / 24 h
Hőmérséklet-emelkedési idő	10 h
Külső méretek (Sz x Mé x Ma)	700 x 691 x 1880 mm

A TERMÉK ÁTTEKINTÉSE

Alkatrész neve



1 LED-lámpa

2 Csappantyúbeállító csúszka

3 Polc

4 Szagtalanító

5 Zöldség- és gyümölcstároló

6 Hőfokszabályzó

7 Ajtórekesz

● FIGYELEM

A fenti ábra csak tájékoztató jellegű. A tényleges konfiguráció az adott terméktől vagy a forgalmazó terméknyilatkozatától függ.

HU

A TERMÉK TELEPÍTÉSE

Üzembe helyezési utasítások

Klímaosztállyal rendelkező hűtőgépekhez

- A klímaosztálytól függően ezt a hűtőkészüléket az alábbi táblázatban meghatározott környezeti hőmérséklettartományban kell használni.
- A klímaosztály a típusablán található. Előfordulhat, hogy a termék nem működik megfelelően a meghatározott tartományon kívül.
- A klímaosztályt a termékcímkén találja.

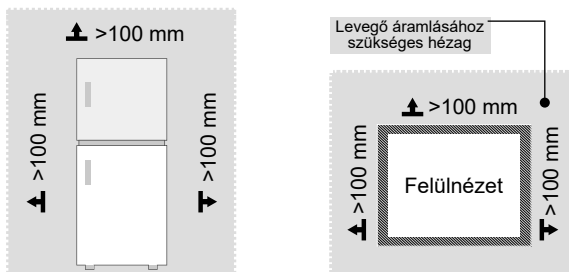
Hatékony hőmérséklet-tartomány

- A terméket úgy alakították ki, hogy rendeltetészerűen működjön az osztálybesorolásában meghatározott tartományban.

Osztály	Szimbólum	Környezeti hőmérsékleti tartomány °C	
		IEC 62552 (ISO 15502)	ISO 8561
Kiterjesztett mérsékelt	SN	+10 és +32 között	+10 és +32 között
Mérsékelt	N	+16 és +32 között	+16 és +32 között
Szubtrópusi	ST	+16 és +38 között	+18 és +38 között
Trópusi	T	+16 és +43 között	+18 és +43 között

Méreték és térközök

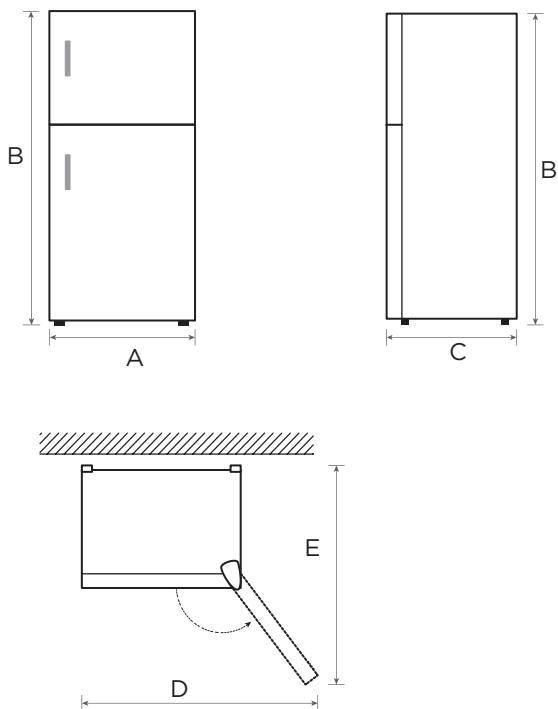
- Ha a termék túl közel van a környező tárgyakhoz, akkor romolhat a fagyasztási teljesítménye, és nőhet az áramfogyasztása. A készülék telepítésekor a készülék és a körülötte lévő összes falfelület között hagyjon legalább 100 mm-t.



FIGYELEM

A fenti ábra csak tájékoztató jellegű. A tényleges konfiguráció az adott terméktől vagy a forgalmazó terméknyilatkozatától függ.

Ábra a helyigényről (nyitott és csukott ajtó mellett)



HU

Terméktípus	Szélesség	Teljes magasság	Mélység	Szélesség 135°-ban nyitott ajtónál	Mélység 135°-ban nyitott ajtónál
	A	B	C	D	E
MDRT489MTE	595	1724	695	997	1137
Terméktípus	Szélesség	Teljes magasság	Mélység	Szélesség 125°-ban nyitott ajtónál	Mélység 125°-ban nyitott ajtónál
	A	B	C	D	E
MDRT580MTE	700	1723	670	1085	1252
MDRT645MTE	700	1880	691	1085	1252

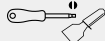
Figyelem: Az összes méret mm-ben van megadva

Hűtőajtó nyitási irányának megfordítása

Szerszámok, amelyekre a felhasználónak szüksége lesz



Imbuszkulcs – Csillagcsavarhúzó



Spatula, vékony pengéjű csavarhúzó



5/16"-os dugókulcs



Maszkolószalag

Az ajtó átszereléséhez szükséges alkatrészek

SN	Alkatrészek	Mennyiség
1	Jobb felső zsanér	1
2	Jobb felső zsanérfedél	1
3	Felső zsanértengelyhüvely	1
4	Felső zsanér csavar	3
5	Nyílásfedő dugasz	1
6	Középső zsanér csavar	2
7	Középső zsanér	1
8	Csavartakaró dugasz	2
9	Középső gerendacsavar	1
10	Középső gerendacsavar sapkája	1
11	Állítható talp	1
12	Alsó zsanér csavar	3
13	Alsó zsanérszerelvény	1
14	A fagyasztóajtó alsó zárófedelének csavarja	1
15	A fagyasztóajtó alsó zárófedelének ütközője	1
16	A hűtőajtó alsó zárófedelének csavarja	1
17	Hűtőajtó alsó zárófedelének ütközője	1
18	Hűtőajtó felső zárófedelének tengelyhüvelye	1
19	Hűtőajtó alsó támasza	1
20	Tartozékcsomag	4
21	Jobb ajtó önzára	1

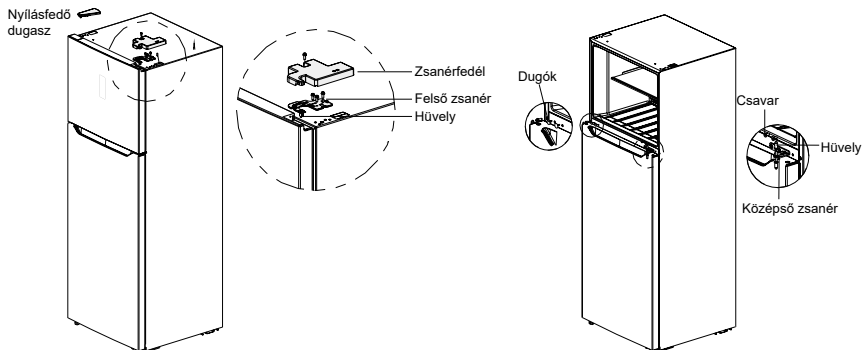
Megjegyzések:

1-19/Előre a hűtőszekrényre szerelve. Az ajtó nyitási irányának megfordításakor is használandó

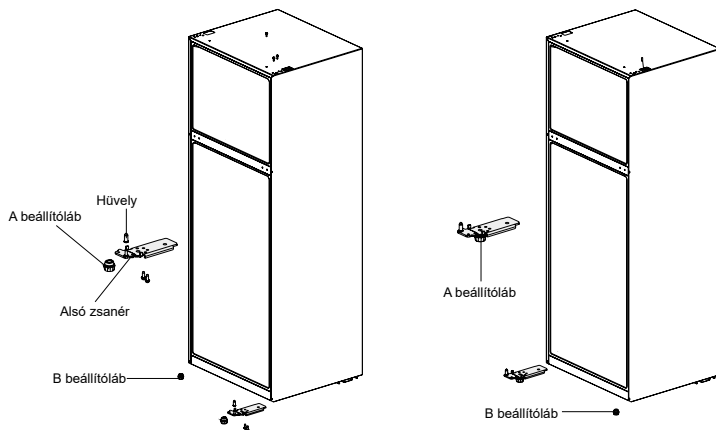
20/Bal felső zsanér, bal felső zsanér fedele, bal ajtó önzára, bal dísztakaró

21/Előre a hűtőszekrényre szerelve. Az ajtó nyitási irányának megfordításakor vegye le és őrizze meg

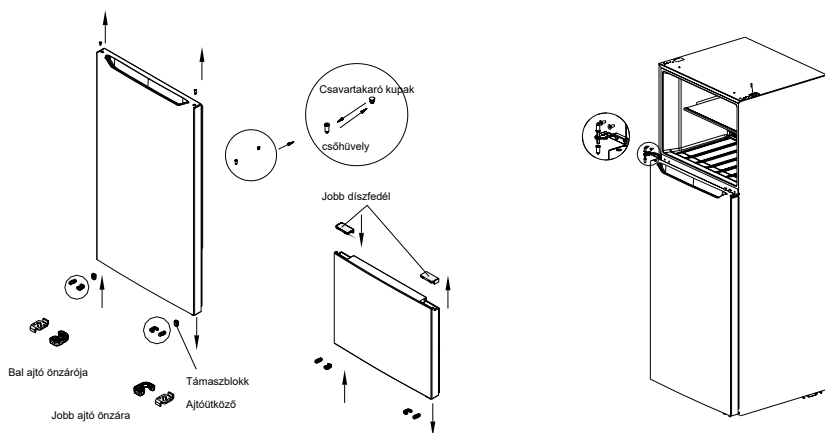
1. A művelet elvégzése előtt kapcsolja ki a berendezést.
2. Távolítsa el a szekrény jobb felső oldalán található zsanérfedelelet és csavart, valamint a felső zsanért és a lyuktakarót a bal oldalon.



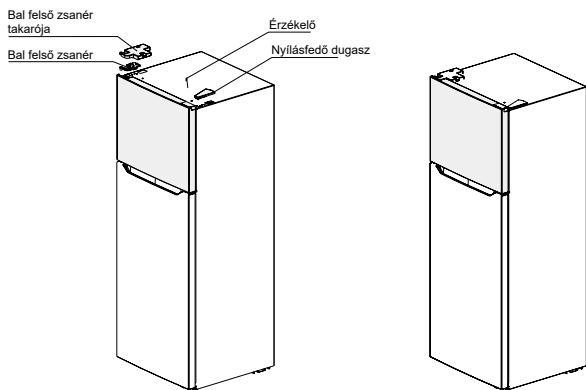
3. Csavarja ki a zsanércsavart, vegye le a középső zsanért és a felső tengely hüvelyét, válassza le a két zsanérluktakarót (dugót) a középső zsanéron, majd felfelé mozgatva vegye ki a hűtőtér ajtaját.
4. Helyezze a zsanértengelyt és a tengelyhüvelyt az alsó zsanér bal lyukába, az alsó zsanért a hűtő bal sarkába, majd az A beállítólábat az ábra szerinti pozícióba, végül a B beállítólábat a hűtő jobb alsó sarkába.



5. Szerelje le a két ajtó ütközőjét és a jobb ajtó önzáró csavarjait, vegye ki a tartozékcsoombsól a bal ajtó önzáróját, majd szerelje az ajtó bal sarkára az ajtóütközővel együtt. Vegye ki a csomagból a hűtőtér ajtajának alsó támaszblokkját, és szerelje a bal alsó sarokra. Végül vegye ki a csomagból a hűtőtér ajtajának dugóját és tengelyhüvelyét, állítsa be a pozíciójukat, majd helyezze be őket az ajtóba. Vegye ki a tartozékcsoombsól a hűtőtér ajtajának jobb és bal díszfedelét, és szerelje fel.



6. Szerelje a hűtőtér ajtaját az alsó zsanérra, a középső zsanért a hűtő bal oldalára, és húzza meg a csavarokat, majd helyezze el megfelelően a tengelyhüvelyt. Helyezze a dugót a gerenda lyukába a másik oldalon.
7. Szerelje fel a fagyasztó ajtaját a középső zsanérra, vegye ki a tartozékcsomagból a bal felső zsanért és annak fedelét, szerelje fel a bal zsanért, húzza meg a csavarokat, szerelje fel a bal felső zsanér takaróját, húzza meg a csavarokat, szerelje fel a jobb érzékelőt az eredeti bal lyukba, majd rögzítse a lyuktakarót a jobb szekrényre.
8. A telepítés befejezése után.



FIGYELEM

A fenti ábra csak tájékoztató jellegű. A tényleges konfiguráció az adott terméktől vagy a forgalmazó terméknyilatkozatától függ.



Szintezőláb

A rázkódás elkerüléséhez a készüléket szintbe kell állítani.

Szükség esetén a szintezőcsavarokkal kiegyenlítheti az egyenetlen padlót.

A készülék elejének enyhén magasabban kell lennie a hátuljánál, hogy segítse az ajtó becukódását.

A szintezőcsavarok könnyen forgathatók, ha enyhén megdönti a készülékházat.

Forgassa a szintezőcsavarokat az óramutató járásával ellentétes irányba  a készülék megemeléséhez, vagy az óramutató járásával megegyező irányba  a készülék lejjebb engedéséhez.

A készülék mozgatása

1. Vegye ki az összes élelmiszert a készülékből.
2. Húzza ki a tápcsatlakozót a hálózati aljzatból, majd illessze be és rögzítse a készülék hátoldalán vagy tetején lévő tápcsatlakozótartó hurokba.
3. Ragasztószalaggal rögzítse az elmozdulásra képes alkatrészeket, például a polcokat és az ajtófogantyút, hogy ne essenek ki a készülék mozgatása közben.
4. A készüléket legalább hárman mozgassák. A készüléket nagy távolságra szállításkor tartsák álló helyzetben.
5. A készüléket az ismételt elhelyezése után csatlakoztassa az elektromos hálózathoz, majd kapcsolja be.

FIGYELEM

Óvintézkedések az üzembe helyezés előtt:

Mielőtt változtatásokat végezne, a hűtőszekrényt le kell választani az áramforrásról.

Körülmétekintőnek kell lennie az esetleges személyi sérülések elkerülése érdekében.

Az izzó cserélje

- A LED lámpák cseréjét vagy karbantartását a gyártó, a szakszerviz vagy a megfelelő képesítéssel rendelkező szakember végezheti el.

FIGYELEM

MDRT489MTE energis hatékonyság osztályú fényforrást tartalmaz (F).

MDRT580MTE/MDRT645MTE energiahatékonysági osztályú két fényforrást tartalmaz (F).

A készülék csatlakoztatása az elektromos hálózathoz

A készülék telepítését követően csatlakoztassa a tápkábelt egy konnektorba.

FIGYELEM

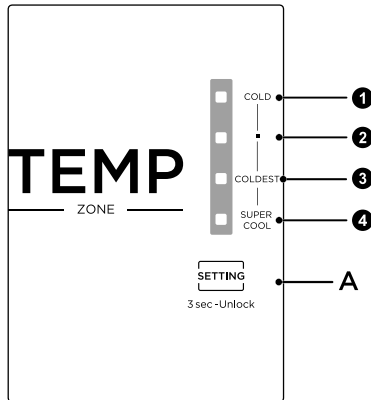
Miután csatlakoztatta a tápkábelt (vagy csatlakozót) a konnektorba, várjon 2-3 órát mielőtt élelmiszert tenne a készülékbe. Ha ételt tesz a készülékbe, mielőtt az teljesen lehűlt volna, az étel megromolhat.

Tippek Az Energia Megtakarításához

- Ne helyezze a készüléket tűzhelyek, radiátorok vagy más hőforrások közelébe. Ha a környezeti hőmérséklet magas, a kompresszor gyakrabban és hosszabb ideig működik, ami növeli az energiafogyasztást.
- Gondoskodjon a megfelelő légáramlásról a készülék alján, oldalainál és hátuljánál. Soha ne takarja le a szellőzőnyílásokat.
- A „Telepítés” című fejezetben ismertetett térközőket is tartsa be.
- A fiókok, polcok és rekeszek ábrán látható elrendezése garantálja a leghatékonyabb energiafelhasználást, ezért kövesse ezt a lehető legpontosabban. A stabil hőmérséklethez és az energiamegtakarításhoz minden fióknak és polcnak a készülékben kell maradnia.
- Ha nagyobb tárolóhelyre van szüksége (pl. nagy méretű hűtött/fagyasztott áru tárolásához), kiveheti a középső fiókokat. Az alsó és felső fiókot csak utolsóként vegye ki, ha szükséges.
- Az egyenletesen feltöltött hűtő-/fagyasztórekeszek hozzájárulnak az optimális energiafelhasználáshoz. Ezért ne töltse félig vagy ne hagyja üresen a rekeszeket.
- A meleg ételeket a hűtőbe/fagyasztóba tétel előtt hagyja lehűlni. A lehűlt étel javítja az energiahatékonyságot.
- A fagyasztott ételeket a hűtőben olvassza ki. A fagyasztott étel hidege csökkenti a hűtőrekesz energiafogyasztását, így növeli az energiahatékonyságot.
- A hidegveszteség minimalizálása érdekében az ajtót csak a lehető legrövidebb időre nyissa ki. Az ajtók rövid időre történő kinyitása, majd megfelelő bezárása csökkenti az energiafogyasztást.
- A készülék ajtószigeteléseinek tökéletesen sértetlennek kell lenniük, hogy az ajtók megfelelően záródjanak, és az energiafogyasztás ne növekedjen szükségtelenül.

ÜZEMELTETÉSI UTASÍTÁSOK

Vezérlőpanel



Jelzés

- 1-es beállítás (COLD)
- 2-es beállítás (MID)
- 3-as beállítás (COLDEST)
- 4-es beállítás (SUPER COOL)
- A beállítás (A hűtőtér hőfokbeállító gombja)

FIGYELEM

A konkrét kezelőpanel típusról típusra változik.

Kijelző

- a hűtőszekrény első bekapcsolásakor a kijelző 3 másodpercig teljes fényerővel világít, majd a hűtőszekrény a 3. beállítás szerint kezd működni. Meghibásodás esetén a megfelelő LED villogni kezd. Ha nincs meghibásodás, a hűtőszekrény hőmérsékleti beállítását mutatja.

Hibakód	Hibaleírás
3-as és 4-es jelzés	A hűtőrekesz hőmérséklet-érzékelőjének meghibásodása
2-es és 4-es jelzés	A fagyasztótér olvasztásérzékelőjének meghibásodott
1-es és 4-es jelzés	A környezeti hőmérséklet-érzékelő meghibásodott

Hőfok beállítása

- Minden egyes alkalommal, amikor a hőfokbeállító gombot (A) megnyomja, a hőfokbeállítás egyet ugrik. A hőmérséklet beállítása után 15 másodperccel a hűtőszekrény az új beállítás szerint működik.
- A hőmérséklet ebben a sorrendben változik:

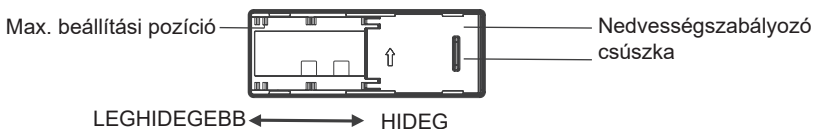


Lezárás/Feloldás

- Nyomja meg a TEMP (HŐMÉRSÉKLET) gombot 3 másodpercig a feloldáshoz. ha nem történik művelet, a panel 30 másodperc múlva ismét lezáródik.

Csappantyúbeállító csúszka

- A fagyasztó hőmérséklete a nedvességszabályozó csúszka helyzetének módosításával állítható be. A csúszka kezdeti pozíciója az A. Ha a fagyasztóban alacsonyabb hőmérsékletet szeretne elérni, tolja a csúszkát balra.
- A hűtőszekrény jobb kihasználása érdekében ajánlott a nedvességszabályozó csúszkát a kezdeti helyzetben tartani.



Ha nincs használatban

- **Áramkimaradás:** Áramkimaradás esetén, akár még nyáron is, az ételek több órán át tarthatók a készülékben. Áramkimaradás esetén csökkenteni kell az ajtónyitások számát, és nem szabad friss ételt tenni a készülékbe.
- **Tartós használaton kívüli helyzet:** A készüléket ki kell húzni, ki kell takarítani, majd az ajtókat nyitva kell hagyni, hogy ne legyen kellemetlen szag a hűtőben.

Tippek az ételek tárolásához

Fagyasztórekesz

- A fagyasztó nagyon alacsony hőmérsékleten fagyasztott élelmiszerek tárolására, fagyasztott élelmiszerek hosszú távú tárolására és jég készítésére használható.
- A fagyasztó ajtajában lévő polcokat csak fagyasztott élelmiszer tárolására használja, ne pedig forró ételek lefagyasztására.
- Ne tegyen egymás mellé friss és lefagyasztott élelmiszert. Így a fagyasztott élelmiszer kiolvadhat.
- Friss élelmiszerek (pl. hús, hal vagy vagdalthús) fagyasztása előtt vágja fel azokat olyan adagokra, amelyeket majd egyszerre felhasználhat.
- Fagyasztott élelmiszer tárolása: az utasítások rendszerint a csomagoláson található, amelyeket be kell tartani. Ha a csomagoláson nincs ilyen információ, az élelmiszereket nem szabad a vásárlás napjától számított három hónapnál hosszabb ideig tárolni.
- Fagyasztott élelmiszerek vásárlásakor ellenőrizze, hogy azok megfelelő hőmérsékleten lettek-e lefagyasztva, és a csomagolásuk nem sérült-e.
- A minőség megőrzése érdekében a fagyasztott élelmiszereket megfelelő csomagolásban kell tartani, és amint lehet, vissza kell tenni a fagyasztórekeszbe.
- Ha egy fagyasztott étel csomagolása nedves vagy rendellenesen felfúvódott, valószínű, hogy nem megfelelő hőmérsékleten tárolták, és a tartalma tönkrement.
- A fagyasztott élelmiszerek tárolási időtartama függ a szobahőmérséklettől, a termosztát beállításától, a fagyasztóajtó nyitási gyakoriságától, az élelmiszer típusától, valamint attól, hogy mennyi idő telt el a termék megvásárlása és hazaszállítása között. Mindig kövesse a csomagoláson feltüntetett utasításokat, és ne lépje túl az ott megadott tárolási időt.

Hűtörekesz

- A nedvesség és a jégképződés elkerülése érdekében soha ne tegyen folyadékot tartalmazó lezáratlan tartályt a hűtőbe. A jég leginkább a párologtató lehidegebb részsein képződik. Ha lezáratlan folyadékokat tárol a hűtőben, akkor azt gyakrabban kell leolvasztani.
- Soha ne tegyen meleg ételt a hűtőbe. Ezeket előbb szobahőmérsékleten kell lehűteni, majd úgy kell a hűtőbe helyezni, hogy biztosítva legyen a megfelelő légkeringés.
- Az élelmiszerek és az élelmiszertartók ne érintkezzenek a hűtő hátsó falával, mert odafagyhatnak. Ne nyitogassa rendszeresen a hűtő ajtaját.
- A hűtőbe helyezhet húst és tiszta halat (becsomagolva vagy műanyag fóliában), amelyet 1-2 napon belül felhasználhat.
- A friss zöldség és gyümölcs csomagolás nélkül behelyezhető az ezek számára készült részbe.

FIGYELEM

Az egyes rekeszek optimális hőmérséklet-beállítása a környezeti hőmérséklettől függ. A fenti optimális hőmérséklet akkor érvényes, ha a környezeti hőmérséklet 25 °C.

Sorszám	Rekeszek TÍPUS	Tárolási célhőmérséklet [°C]	Megfelelő ételkészlet
1	Hűtőszekrény	+2 ~ +8	A tojás, a főtt étel, a csomagolt ételkészlet, a gyümölcs és zöldség, a tejtermékek, a sütemények, az italok és egyéb ételkészletek fagyasztásra nem alkalmasak.
2	(***)*- Fagyasztó	≤-18	Tengeri ételkészlet (hal, kagyló, rák), édesvízi ételkészlet és hús (az ajánlott tárolási idő 3 hónap, minél hosszabb ideig tárolja, annál rosszabb lesz az íz és a tápérték). Fagyasztott friss ételkészlet tárolására alkalmas.
3	***-Fagyasztó	≤-18	Tengeri ételkészlet (hal, kagyló, rák), édesvízi ételkészlet és hús (az ajánlott tárolási idő 3 hónap, minél hosszabb ideig tárolja, annál rosszabb lesz az íz és a tápérték). Fagyasztott friss ételkészlet tárolására alkalmas.
4	** -Fagyasztó	≤-12	Tengeri ételkészlet (hal, kagyló, rák), édesvízi ételkészlet és hús (az ajánlott tárolási idő 3 hónap, minél hosszabb ideig tárolja, annál rosszabb lesz az íz és a tápérték). Fagyasztott friss ételkészlet tárolására alkalmas.
5	*-Fagyasztó	≤-6	Tengeri ételkészlet (hal, kagyló, rák), édesvízi ételkészlet és hús (az ajánlott tárolási idő 3 hónap, minél hosszabb ideig tárolja, annál rosszabb lesz az íz és a tápérték). Fagyasztott friss ételkészlet tárolására alkalmas.
6	0-csillag	-6 ~ 0	Friss sertés, marha, hal, csirke, bizonyos csomagolt feldolgozott ételkészletek stb. (Javasolt még aznap elfogyasztani, de lehetőleg 3 napon belül). Részben lezárt feldolgozott ételkészletek (nem fagyasztható ételkészletek).
7	Fagyrekesz	-2 ~ +3	Friss/fagyasztott sertéshús, marhahús, csirke, édesvízi és akváriumban nevelt termékek stb. (0 °C alatt 7 napon belül fagyasztható, 0 °C felett ugyanazon a napon, de legfeljebb 2 napon belül fagyasztható). Tenger gyümölcsei (0 °C alatt 15 napig állnak el, 0 °C feletti tárolásuk nem ajánlott).
8	Frissentartó	0 ~ +4	Friss sertés, marha, hal, csirke, főtt étel stb. (Javasolt még aznap elfogyasztani, de lehetőleg 3 napon belül).
9	Bor	+5 ~ +20	Vörösbor, fehérbor, pezsgő stb.

FIGYELEM

A különféle ételkészleteket a nekik megfelelő rekeszekben vagy tárolási hőmérsékleten tárolja.

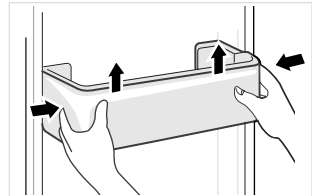
TISZTÍTÁS ÉS KARBANTARTÁS

Leolvasztás

- A hűtőszekrény a léghűtés elve alapján készült, így automatikus leolvasztási funkcióval rendelkezik. Az évszakok vagy a hőmérséklet változása miatt kialakult jeget manuálisan is el lehet távolítani, ha a berendezést leválasztja az elektromos hálózatról, illetve egy papírtörlővel vagy száraz törölközővel le lehet törölni.

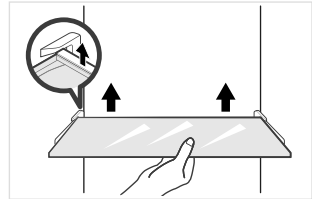
Ajtótálca tisztítása

- Az alábbi ábrán látható nyílnak megfelelően két kézzel fogja meg a tálcát és nyomja felfelé, majd vegye ki a helyéről.
- Azt követően, hogy a kivett tálcát elmosta, szükség szerint a kívánt magasságba helyezheti vissza.



Üvegpolc tisztítása

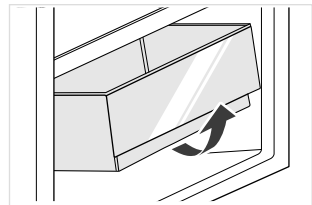
- A hűtő belsejében, ahol a polc és a hűtő hátulja találkozik, egy kis mélyedés található; emelje meg a polcot felfelé, hogy kivehesse a helyéről.
- Igényei szerint állítsa be vagy tisztítsa meg a polcokat.



HU

Zöldséges fiók tisztítása

1. Vegyen ki mindent a fiókból. Fogja meg a fiók markolatát, és húzza ki teljesen, ütközésig.
2. Emelje meg a zöldséges fiókot, és húzza ki az eltávolításához.



Javasolt vízbe vagy nem maró hatású semleges tisztítószerbe áztatott puha szivacsot használni a tisztításhoz. Végül a fagyasztót is tisztítsa ki tiszta vízzel és száraz ruhával. Mielőtt bekapcsolná a készüléket, nyissa ki az ajtaját a természetes száradáshoz. Ne használjon kemény keféket, acél súrolót, súrolószereket (pl. fogkrémet), organikus oldószereket (pl. alkoholt, acetont, banánolajat, stb.), forró vizet, savas vagy lúgos szereket a hűtőszekrény tisztításához, amelyek károsíthatják a hűtőszekrény felületét, belsejét.

HIBAELHÁRÍTÁS

A következő egyszerű problémákat a felhasználó is kezelni tudja. Kérjük, hívja a szervizünket, ha valamilyen problémát nem sikerül elhárítani.

Probléma	Lehetséges ok
Berendezés nem működik	<ul style="list-style-type: none">• Ellenőrizze, hogy a készülék csatlakoztatva van-e az elektromos hálózathoz, és a csatlakozó megfelelően érintkezik-e.
	<ul style="list-style-type: none">• Ellenőrizze, hogy a feszültség nem túl alacsony-e.
	<ul style="list-style-type: none">• Ellenőrizze, hogy nincs-e áramkimaradás, vagy az egyes áramkörök megszakítói nem oldottak le.
Szag	<ul style="list-style-type: none">• Az erős szagú ételeket szorosan be kell csomagolni.
	<ul style="list-style-type: none">• Ellenőrizze, hogy nincs-e rohadt étel a hűtőben.
	<ul style="list-style-type: none">• Tisztítsa ki a hűtőszekrény belsejét
A kompresszor hosszú idejű működése	<ul style="list-style-type: none">• A hűtőszekrény nyáron hosszú ideig folyamatosan működhet. Ez normális jelenség,
	<ul style="list-style-type: none">• amikor a környezeti hőmérséklet magas. Ilyenkor nem ajánlott túl sok élelmiszert tartani a készülékben.
	<ul style="list-style-type: none">• Mielőtt a készülékbe helyezné, hűtse le az ételt.
	<ul style="list-style-type: none">• Az ajtókat túl gyakran nyitják
A lámpa nem világít.	<ul style="list-style-type: none">• Ellenőrizze, hogy a hűtőszekrény csatlakoztatva van-e az elektromos hálózathoz, illetve a lámpa nem sérült-e.
	<ul style="list-style-type: none">• Szakemberrel cseréltesse ki a lámpát
Az ajtók nem záródnak megfelelően	<ul style="list-style-type: none">• Az ajtó egy élelmiszerben elakad. Túl sok étel vagy a hűtőben.
	<ul style="list-style-type: none">• A hűtő meg van döntve.
Hangos a készülék	<ul style="list-style-type: none">• Ellenőrizze, hogy a padló vízszintes-e, illetve a hűtő stabilan áll-e.
	<ul style="list-style-type: none">• Ellenőrizze, hogy a kiegészítők a megfelelő helyre vannak-e behelyezve.

Probléma	Lehetséges ok
Az ajtó tömitései nem szigetelnek megfelelően	<ul style="list-style-type: none"> • Távolítsa el az idegen anyagokat az ajtó tömitéseiről. • A helyreállításhoz melegítse fel az ajtó tömitéseket, majd a hűtse le őket. (A melegítéshez használhat hajszárítót vagy forró törölközőt.)
A vízgyűjtő tálcá túlcsordul	<ul style="list-style-type: none"> • Túl sok élelmiszer van a hűtőtérben, vagy a tárolt élelmiszer túl sok vizet tartalmaz, amely leolvasztáskor túl sok vizet enged • Az ajtók nincsenek megfelelően bezárva, ami a bejutó levegő miatt jegesedéshez, a túl sok víz leolvadásához vezet.
Meleg a burkolat	<ul style="list-style-type: none"> • A beépített kondenzátor burkolata felmelegedhet, ami normális jelenség. Ha a magas környezeti hőmérséklet, a túl sok tárolt élelmiszer vagy a kompresszor leállása miatt a burkolat túl forróvá válik, gondoskodjon megfelelő szellőzésről a hő eloszlásának elősegítésével.
Felületi páralecsapódás	<ul style="list-style-type: none"> • A hűtőszekrény külső felületén és az ajtó tömitéseken jelentkező páralecsapódás normális jelenség, ha a környezeti páratartalom túl magas. Törölje le a páralecsapódást egy tiszta törölkűhával.

MELLÉKLET

Kimondottan az új európai szabványnak megfelelően

Az alábbi táblázatban lévő megrendelt alkatrészek a szolgáltatói csatornától szerezhetők be

Megrendelt alkatrész	Beszállító	Az biztosításhoz szükséges minimum idő
Termosztátok	Professzionális karbantartó személyzet	Legalább 7 év azt követően, hogy az utolsó termék piacra került
Hőmérséklet-érzékelők	Professzionális karbantartó személyzet	Legalább 7 év azt követően, hogy az utolsó termék piacra került
Nyomatott áramköri lapkák	Professzionális karbantartó személyzet	Legalább 7 év azt követően, hogy az utolsó termék piacra került
Fényforrások	Professzionális karbantartó személyzet	Legalább 7 év azt követően, hogy az utolsó termék piacra került
Ajtófogantyúk	Professzionális szerelők és végfelhasználók	Legalább 7 év azt követően, hogy az utolsó termék piacra került
Ajtózsanérok	Professzionális szerelők és végfelhasználók	Legalább 7 év azt követően, hogy az utolsó termék piacra került
Tálcák	Professzionális szerelők és végfelhasználók	Legalább 7 év azt követően, hogy az utolsó termék piacra került
Kosarak	Professzionális szerelők és végfelhasználók	Legalább 7 év azt követően, hogy az utolsó termék piacra került
Ajtótömítések	Professzionális szerelők és végfelhasználók	Legalább 10 év azt követően, hogy az utolsó termék piacra került

Kedves vásárló!

1. Ha a terméket szeretné visszaküldeni vagy kicserélni, vegye fel a kapcsolatot az értékesítővel.

(Ne felejtse el elhozni a vásárláskor kapott számlát)

2. Ha a termék elromlott és javításra van szükség, vegye fel a kapcsolatot a szervízrészleggel.

FIGYELEM

A termékadatbázisban található modellinformációkat, valamint termék energiahatékonysági címkéje QR-kódjával (ha van) beolvasott webes hivatkozáson keresztül lehet elérni.

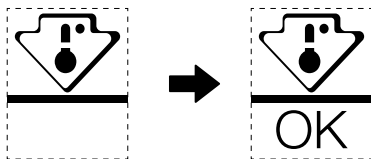
A készülék energiahatékonyságáról további tájékoztatást a <https://ec.europa.eu> webhelyen talál, ha rákéreres a típusnévre.

A típusnév a készülék adattábláján található.

A hűtőszekrény leghidegebb zónája

OPCIONÁLIS: OK-hőmérsékletjelzés

- Az OK-hőmérsékletjelzéssel a +4 °C alatti hőmérsékletek határozhatók meg. Fokozatosan csökkentse a hőmérsékletet, amíg az „OK” jelzést nem látja.



- A terület hőmérsékletének garantálása érdekében, ne változtasson a polc elhelyezkedésén. A kényszerlevegős hűtőszekrények esetében (ventilátorral rendelkező vagy önleolvasztós modellek) nincs feltüntetve a leghidegebb zóna szimbólum, mert a belső hőmérséklet homogén.

Hőmérsékletjelző beállítása

- Azért, hogy segítsen Önnek a megfelelő beállításban, a hűtőszekrényt hőmérsékletjelzővel látták el, ami figyelmeztet a leghidegebb zóna átlagos hőmérsékletét.
- FIGYELEM: Ezt a jelzést az Ön hűtőszekrényéhez tervezték. Ne használja másik hűtőszekrényben (mert a leghidegebb zóna nem ugyanaz) vagy bármilyen más célból.

A leghidegebb zóna hőmérsékletének ellenőrzése

- A hőmérsékletjelzővel rendszeresen tudja ellenőrizni, hogy a leghidegebb zóna hőmérséklete megfelelő-e. Valójában a hűtőszekrény belső hőmérséklete számos olyan tényezőtől függ, mint a helyiség környezeti hőmérséklete, a benne tárolt étel mennyisége és az ajtónyitás gyakorisága. A készülék beállításakor vegye figyelembe ezeket a tényezőket.
- Amikor a jelző «OK»-t mutat, az azt jelenti, hogy a termosztátot jól állították be, és a belső hőmérséklet megfelelő.
- Ha a hőmérsékletjelző FEHÉRRE vált, az azt jelenti, hogy a hőmérséklet túl magas; ebben az esetben növelje a hűtőszekrény hőmérsékletszabályozó beállítását, és várjon 12 órát, mielőtt újra szemrevételezéssel ellenőrizné a jelzést. Ha friss élelmiszert helyeztek be, vagy az ajtót nyitva hagyták, előfordulhat, hogy a hőmérsékletjelző egy idő után FEHÉRRE vált.

ZAHVALNO PISMO

Hvala, ker ste izbrali Mideo! Pred uporabo vašega novega izdelka Midea natančno preberite ta priročnik, da zagotovite varno upravljanje z lastnostmi in funkcijami, ki jih ponuja vaša nova naprava.

VSEBINA

ZAHVALNO PISMO -----	01
SPECIFIKACIJE -----	02
PREGLED IZDELKA -----	03
NAMESTITEV IZDELKA -----	04
NAVODILA ZA UPORABO -----	11
ČIŠČENJE IN VZDRŽEVANJE -----	15
ODPRAVLJANJE NAPAK -----	16
PRILOGA -----	18

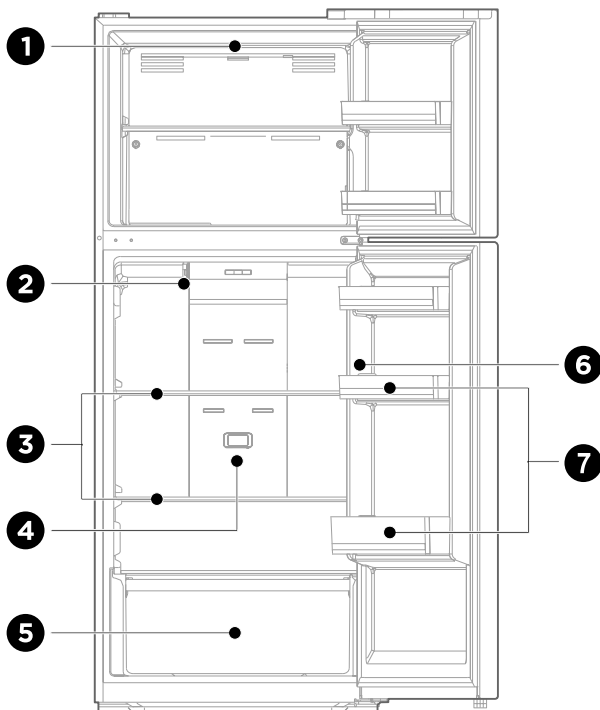
SPECIFIKACIJE

Model izdelka	MDRT489MTE
Nazivna napetost/frekvenca	220–240 V~/50 Hz
Nazivni tok	0,7 A
Skupna prostornina	338 L
Volumen prostora za shranjevanje sveže hrane	254 L
Prostornina prostora s štirimi zvezdicami	84 L
Zmogljivost zamrzovanja	3,9 kg/24 h
Čas povišanja temperature	10 h
Skupna dimenzija (Š x G x V)	595x695x1724 mm
Model izdelka	MDRT580MTE
Nazivna napetost/frekvenca	220–240 V~/50 Hz
Nazivni tok	1.5A
Skupna prostornina	413 L
Volumen prostora za shranjevanje sveže hrane	306 L
Prostornina prostora s štirimi zvezdicami	107 L
Zmogljivost zamrzovanja	5kg/24 h
Čas povišanja temperature	10 h
Skupna dimenzija (Š x G x V)	700x670x1723 mm
Model izdelka	MDRT645MTE
Nazivna napetost/frekvenca	220–240 V~/50 Hz
Nazivni tok	1.2A
Skupna prostornina	463 L
Volumen prostora za shranjevanje sveže hrane	356 L
Prostornina prostora s štirimi zvezdicami	107 L
Zmogljivost zamrzovanja	5kg/24 h
Čas povišanja temperature	10 h
Skupna dimenzija (Š x G x V)	700 x 691 x 1880 mm

SL

PREGLED IZDELKA

Imena sestavnih delov



- | | | | |
|---|---------------------------------|---|------------------------------|
| 1 | LED-lučka | 5 | Predal za sadje in zelenjavo |
| 2 | Drsnik za nastavitev blažilnika | 6 | Nadzor temperature |
| 3 | Polica | 7 | Pladenj za vrata |
| 4 | Osvežilec zraka | | |

POZOR

Zgornja slika je samo za referenco. Dejanska konfiguracija je odvisna od fizičnega izdelka ali izjave distributerja.

SL

NAMESTITEV IZDELKA

Navodila za namestitev

Za hladilne naprave s klimatskim razredom

- Odvisno od klimatskega razreda je ta hladilni aparat namenjen uporabi pri temperaturnih območjih okolja, kot je navedeno na napisni tablici.
- Klimatski razred najdete na napisni tablici. Izdelek morda ne bo deloval pravilno pri temperaturah zunaj določenega območja.
- Klimatski razred je naveden na etiketi izdelka.

Učinkovito temperaturno območje

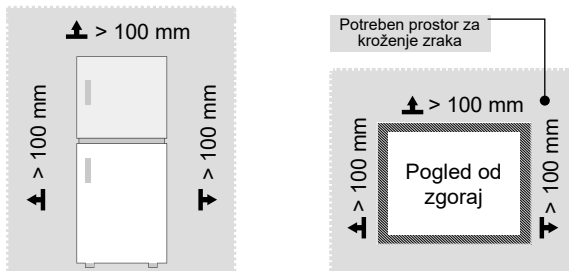
- Izdelek je zasnovan za normalno delovanje v temperaturnem območju, ki ga določa ocena razreda.

Razred	Simbol	Razpon temperature okolice °C	
		IEC 62552 (ISO 15502)	ISO 8561
Razširjeni zmerni	SN	+10 do +32	+10 do +32
Zmerni	N	+16 do +32	+16 do +32
Subtropski	ST	+16 do +38	+18 do +38
Tropski	T	+16 do +43	+18 do +43

Dimenzije in odmiki

- Premajhna oddaljenost od sosednjih predmetov lahko povzroči poslabšanje sposobnosti zamrzovanja in večje stroške električne energije. Pri namestitvi naprave pustite več kot 100 mm prostora od sosednjih sten.

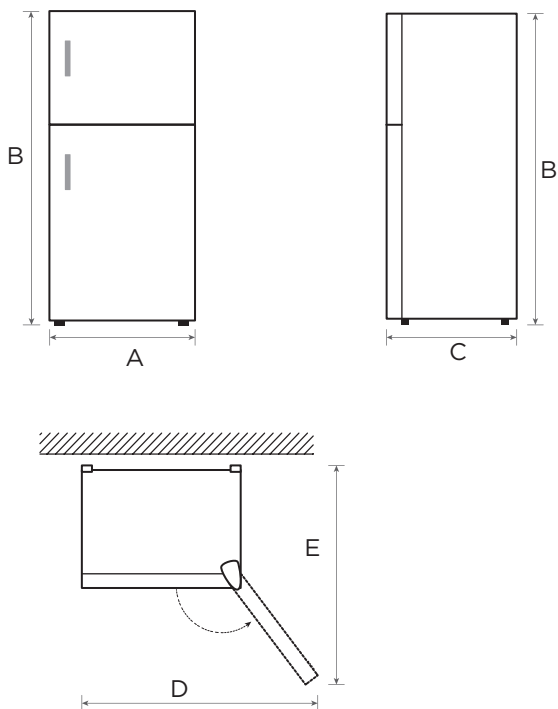
SL



POZOR

Zgornja slika je samo za referenco. Dejanska konfiguracija je odvisna od fizičnega izdelka ali izjave distributerja.

Diagram prostorskih zahtev (ko so vrata odprta in ko so vrata zaprta)




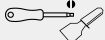


SL

Model izdelka	Širina	Skupna višina	Globina	Širina odpiranja vrat 135°	Globina odpiranja vrat 135°
	A	B	C	D	E
MDRT489MTE	595	1724	695	997	1137
Model izdelka	Širina	Skupna višina	Globina	Širina odpiranja vrat 125°	Globina odpiranja vrat 125°
	A	B	C	D	E
MDRT580MTE	700	1723	670	1085	1252
MDRT645MTE	700	1880	691	1085	1252

Opomba: Vse mere so v mm

Zamenjava odpiranja vrat v smeri desno-levo

Seznam orodij, ki jih mora zagotoviti uporabnik

	Allenov ključ-Križni izvijač
	Nož za kitanje, izvijač s tankim rezilom
	5/16" nasadni ključ
	Maskirni trak

Deli uporabljeni za spremembo smeri odpiranja vrat

SN	Deli	Količina
1	Zgornji desni tečaj	1
2	Pokrov zgornjega desnega tečaja	1
3	Obojka zgornjega tečaja	1
4	Vijak zgornjega tečaja	3
5	Pokrov za luknje	1
6	Vijak srednjega tečaja	2
7	Srednji tečaj	1
8	Čep za luknjo	2
9	Vijak srednjega prečnika	1
10	Pokrov vijaka srednjega prečnika	1
11	Nastavljiva noga	1
12	Vijak spodnjega tečaja	3
13	Sklop spodnjega tečaja	1
14	Krovni vijak spodnjega dela vrat zamrzovalnika	1
15	Pokrov spodnjega dela, ki preprečuje blokiranje vrat zamrzovalnika	1
16	Krovni vijak spodnjega dela vrat hladilnika	1
17	Pokrov spodnjega dela, ki preprečuje blokiranje vrat hladilnika	1
18	Krovna obojka zgornjega dela vrat hladilnika	1
19	Spodnji opornik vrat hladilnika	1
20	Paket pripomočkov	4
21	Samozapiralo desnih vrat	1

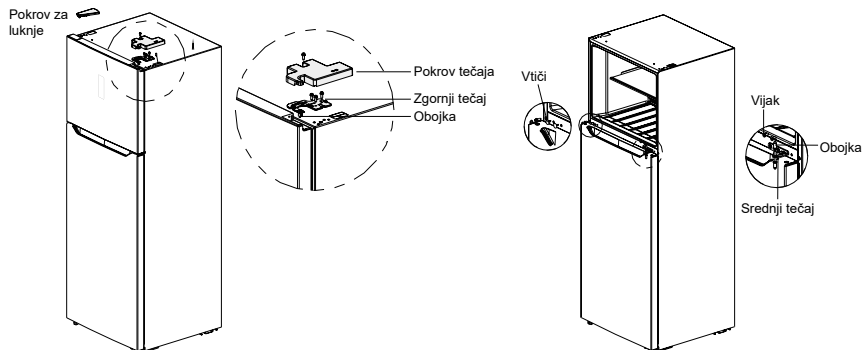
Opombe:

1-19/Vnaprej nameščena na hladilnik in jo je treba uporabiti pri zamenjavi vrat

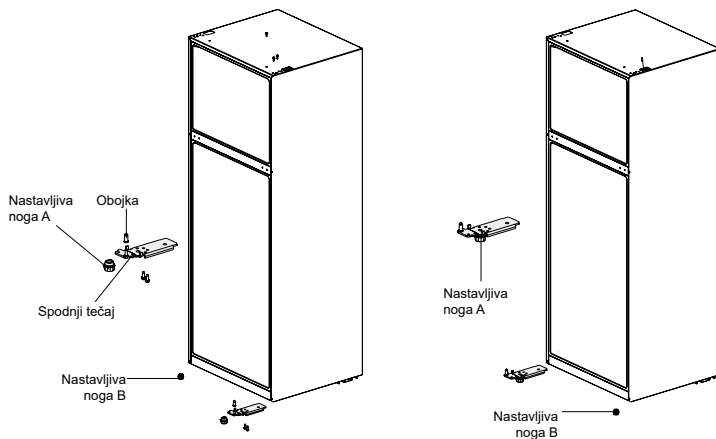
20/Levi zgornji tečaj,pokrov zgornjega tečaja, samozapiralo levih vrat,levi okrasni pokrov

21/Prednameščeno na hladilnik, odstranite in shranite ob menjavi vrat

1. Preden izvedete ta postopek, izklopite napravo.
2. Odstranite pokrov tečaja in vijak desno zgoraj v škattli ter zgornji tečaj in pokrov za luknje na levi strani.

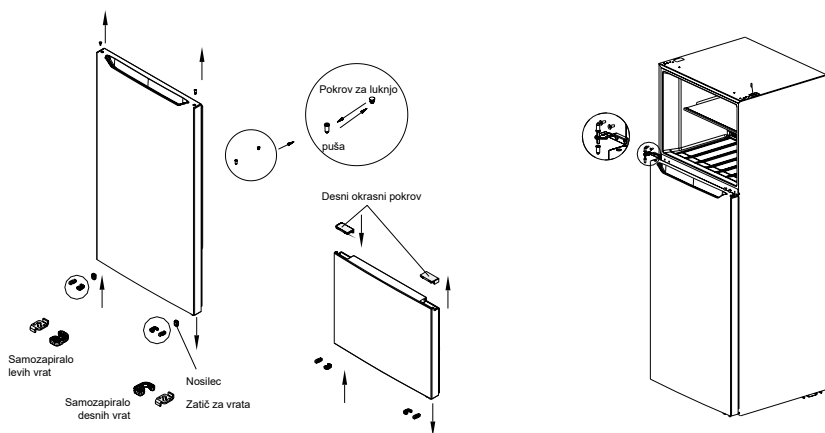


3. Odvijte vijak tečaja, odklopite srednji tečaj in obojko zgornje gredi, odstranite oba pokrova lukenj tečajev (čepa) na srednjem tečaju in izvlcite ohišje vrat iz hladilnega predela navzgor.
4. Namestite gred in obojko tečaja v levo odprtino spodnjega tečaja in nato spodnji tečaj v levi spodnji kot hladilnika, nato nogo A namestite kot je prikazano na sliki in nazadnje nogo B v desni spodnji kot hladilnika.

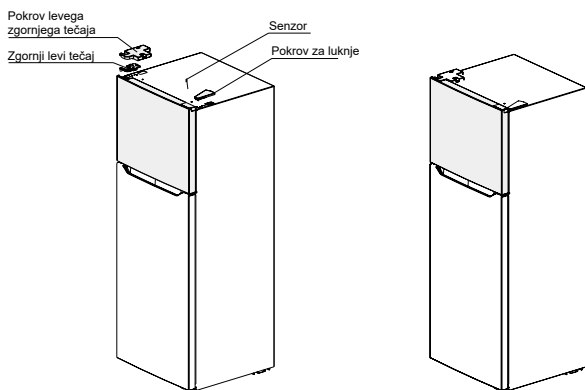


5. Razstavite zapiralno vrat obeh ohišij vrat in samozapiralne vijake na desnih vratih, nato vzemite samozapiralno levi vrat iz vrečke za pripomočke in ga namestite v levi kot ohišja vrat skupaj z zapiralom vrat; vzemite spodnji nosilec ohišja vrat hladilnega predela in ga namestite v spodnji levi kot. Nazadnje vzemite vrtič za luknjo in obojko gredi za vrata hladilnega predela in nastavite njun položaj, nato pa ju namestite na ohišje vrat. Vzemite desni okrasni pokrov za vrata hladilnega dela in levi okrasni pokrov iz vrečke za pripomočke in ju namestite.

SL



6. Namestite vrata hladilnega predela na spodnji tečaj, srednji tečaj na levi strani hladilnika in pričvrstite vijake, namestite tudi obojko gredi. Namestite vtič v luknjo na sredini gredi na drugem koncu.
7. Namestite vrata zamrzovalnika na srednji tečaj, vzemite levi zgornji tečaj in pokrov levega zgornjega tečaja iz vrečke za pripomočke, namestite levi tečaj in pričvrstite vijake, namestite pokrov levega zgornjega tečaja in pričvrstite vijak, namestite desni senzor v pokrov leve luknje in nato pritrdite pokrov luknje na desno škatlo.
8. Po koncu namestitve.



POZOR

Zgornja slika je samo za referenco. Dejanska konfiguracija je odvisna od fizičnega izdelka ali izjave distributerja.



Izravnalne noge

Da se izognete vibracijam, mora biti enota poravnana.

Po potrebi prilagodite izravnalne vijake za izravnavo neravnih tal.

Sprednji del mora biti nekoliko višji od zadnjega dela za pomoč pri zapiranju vrat.

Izravnalne vijake lahko enostavno vrtite tako, da omarico nekoliko nagnete.

Izravnalne vijake zavrtite v nasprotni smeri urinega kazalca , da dvignete enoto, ali v smeri urinega kazalca , da jo spustite.

Premikanje naprave

1. Odstranite vso hrano iz naprave.
2. Izvlecite napajalni vtič ter ga vstavite in pritrdite na kavelj za napajalni vtič na zadnji strani ali na vrhu naprave.
3. Prilepite dele, kot so police in ročaj vrat, da preprečite njihov padec med premikanjem naprave.
4. Napravo morata previdno premakniti več kot dve osebi. Pri premikanju naprave na daljši razdalji naj naprava stoji pokončno.
5. Po namestitvi naprave priključite napajalni vtič v vtičnico za vklop naprave.

POZOR

Previdnostni ukrepi pred uporabo:

Prede pričnete s spremembami, morate hladilnik izključiti iz napajanja.

sprejeti je treba previdnostne ukrepe, da preprečite morebitne telesne poškodbe.

Zamenjava luči

- Zamenjavo ali vzdrževanje LED-luči mora izvesti proizvajalec, njegov pooblaščen servisni zastopnik ali podobno usposobljeno osebje.

POZOR

MDRT489MTE vsebuje svetlobni vir razreda energijske učinkovitosti (F).

MDRT580MTE/MDRT645MTE vsebuje dva vira svetlobe razreda energijske učinkovitosti (F).

Priključitev naprave

Po namestitvi naprave priključite napajalni vtič v stensko vtičnico.

POZOR

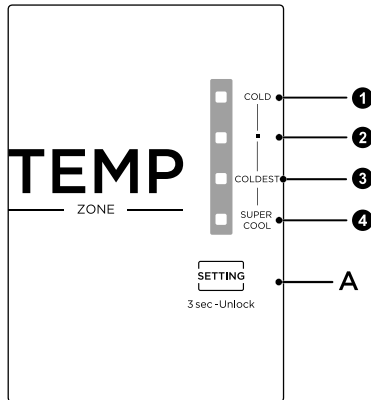
Po priključitvi napajalnega kabla (ali vtiča) v vtičnico počakajte 2 ali 3 ure, preden v napravo postavite hrano. Če hrano dodate, preden se je naprava povsem ohladila, se lahko hrana pokvari.

Nasveti za varčevanje z energijo

- Naprave ne postavljajte v bližino štedilnikov, radiatorjev ali drugih virov toplote. Če je temperatura okolja visoka, bo kompresor deloval pogosteje in dlje, kar bo povzročilo večjo porabo energije.
- Prepričajte se, da je na dnu aparata, ob straneh aparata in na zadnji strani aparata zadostno prezračevanje. Nikoli ne pokrivajte prezračevalnih odprtin.
- Upoštevajte tudi dimenzije razmika v poglavju »Namestitev«.
- Razporeditev predalov, polic in regalov, kot je prikazano na sliki, omogoča najučinkovitejšo porabo energije, zato jo je treba ohraniti, kolikor je le mogoče. Vsi predali in police naj ostanejo v napravi, da ohranite stabilno temperaturo in prihranite energijo.
- Če želite pridobiti večji prostor za shranjevanje (npr. za veliko hlajeno/zamrznjeno blago), lahko srednje predale odstranite. Zgornje in spodnje predale ter police po potrebi odstranite nazadnje.
- Enakomerno napolnjen hladilno-zamrzovalni predel prispeva k optimalni porabi energije. Zato se izogibajte praznim ali napol praznim predelom.
- Pustite, da se topla hrana ohladi, preden jo postavite v hladilnik/zamrzovalnik. Že ohlajena hrana poveča energijsko učinkovitost.
- Zamrznjeno hrano pustite, da se odmrzne v hladilniku. Hladnost zamrznjene hrane zmanjša porabo energije v hladilnem delu in s tem poveča energijsko učinkovitost.
- Vrata odprite le tako kratko, kot je potrebno, da čim bolj zmanjšate izgubo hladu. Če vrata na hitro odprete in jih pravilno zaprete, zmanjšate porabo energije.
- Tesnila na vratih vašega aparata morajo biti popolnoma nepoškodovana, da se vrata pravilno zaprejo in da se poraba energije ne poveča po nepotrebem.

NAVODILA ZA UPORABO

Nadzorna plošča



Tipka

- Nastavitev 1 (COLD)
- Nastavitev 2 (MID)
- Nastavitev 3 (COLDEST)
- Nastavitev 4 (SUPER COOL)
- Nastavitev A (Gumb za nastavitev temperature hladilnega predela)

POZOR

Dejanska nadzorna ploščica se lahko razlikuje od modela do modela.

Zaslon

- ko hladilnik prvič priključite v električno omrežje, zaslon za 3 sekunde popolnoma sveti, nato pa hladilnik deluje v skladu z nastavitvijo 3. V primeru okvare prične ustrezna LED dioda utripati. Če ni okvar, zaslon prikazuje nastavitev temperature hladilnika.

Koda napake	Opis napake
Nastavitev indikatorja 3 in nastavitev 4	Napaka senzorja temperature predela hladilnika
Nastavitev indikatorja 2 in nastavitev 4	Napaka senzorja za odtajanje zamrzovalnega predela
Nastavitev indikatorja 1 in nastavitev 4	Napaka senzorja temperature okolice

Nastavitev temperature

- Vsakič, ko pritisnete gumb za nastavitev temperature (A), se nastavitev temperature enkrat spremeni. Hladilnik bo po koncu nastavljanja temperature v skladu z nastavitvami začel delovati po 15. sekundah.
- Nastavitev se spremeni po tem vrstnem redu:



Zaklepanje/Odklepanje

- Tipko TEMP držite 3 sekunde za odklepanje in 30 sekund za samodejno zaklepanje brez delovanja.

Drsnik za nastavitev blažilnika

- Temperaturo znotraj zamrzovalnika je mogoče prilagajati s spreminjanjem položaja drsnika blažilnika. Začetni položaj drsnika blažilnika je A. Če v zamrzovalniku želite nižjo temperaturo, lahko drsnik blažilnika premaknete iz položaja A v levo.
- Za boljši izkoristek hladilnika je priporočljivo, da drsnik blažilnika ostane v začetnem položaju.



Prenehajte uporabljati

- **Izpad napajanja:** V primeru izpada napajanja lahko živila v notranjosti naprave hranite več ur, tudi poleti. Med trajanjem izpada napajanja zmanjšajte število odpiranja vrat in v napravo ne postavljajte novih svežih živil.
- **Dolgotrajna neuporaba:** Napravo morate odklopiti z napajanja in jo nato očistiti. Nato pustite odprta vrata, da preprečite neprijetne vonjave.

Nasveti za shranjevanje živil

Zamrzovalni predel

- Zamrzovalnik je namenjen shranjevanju živil, zamrznjenih pri zelo nizkih temperaturah, dolgotrajnemu shranjevanju zamrznjenih živil in proizvodnji ledu.
- Police v vratih zamrzovalnika uporabljajte samo za shranjevanje zamrznjenih živil, ne pa za shranjevanje vročih živil, namenjenih zamrzovanju.
- Ne postavljajte sveže in zamrznjene hrane eno poleg druge. Zamrznjena hrana se lahko odtali.
- Pri zamrzovanju svežih živil (kot so meso, ribe ali sesekljano meso) jih narežite na kose, ki jih lahko uporabite hkrati.
- Shranjevanje zamrznjenih živil: navodila so običajno navedena na embalaži, ki jih treba upoštevati. Če na embalaži ni podatkov, živila ne smemo shranjevati dlje kot tri mesece od datuma nakupa.
- Ko kupujete zamrznjeno hrano, se prepričajte, da je bila zamrznjena na primerni temperaturi in da embalaža ni poškodovana.
- Zamrznjena živila shranjujte v ustrezni embalaži, da ohranite njihovo kakovost, in jih čim prej vrnite v zamrzovalnik.
- Če se na embalaži zamrznjene hrane opazi vlaga ali neobičajno izboklina, je bila verjetno shranjena pri napačni temperaturi in je vsebina pokvarjena.
- Čas shranjevanja zamrznjenih živil je odvisen od sobne temperature, nastavitve termostata, pogostosti odpiranja vrat zamrzovalnika, vrste živila in časa transporta izdelka iz trgovine v gospodinjstvo. Vedno upoštevajte navodila, natisnjena na embalaži, in nikoli ne prekoračite navedenega najdaljšega časa shranjevanja.

Predel za hlajenje

- Da zmanjšate vlago in posledično nabiranje ledu, nikoli ne dajajte tekočine v hladilnik v nezaprth posodah. Zmrzal se ponavadi koncentrira v najhladnejših delih uparjalnika. Shranjevanje nepokritih tekočin povzroči pogostejšo potrebo po odmrzovanju.
- V hladilnik nikoli ne postavljajte toplih živil. Ta se morajo najprej ohladiti na sobni temperaturi, nato pa jih postavimo tako, da zagotovimo ustrezno kroženje zraka v hladilniku.
- Živila ali posode za živila se ne smejo dotikati zadnje stene hladilnika, ker lahko primrznejo k steni. Vrat hladilnika ne odpirajte redno.
- Meso in čiste ribe (pakirane v embalaži ali plastični foliji) lahko postavite v hladilnik in jih porabite v 1-2 dneh.
- Sadje in zelenjavo brez embalaže lahko odlagate v del, namenjen svežemu sadju in zelenjavi.

POZOR

Optimalna nastavitve temperature vsakega predela je odvisna od temperature okolja. Najvišja optimalna temperatura temelji na temperaturi okolja 25 °C.

Vrstni red	TIP predelka	Ciljna temp. shranjevanja [°C]	Primerna hrana
1	Hladilnik	+2 ~ +8	Jajca, kuhana hrana, pakirana hrana, sadje in zelenjava, mlečni izdelki, torte, pijače in druga živila niso primerni za zamrzovanje.
2	(***)*-Zamrzovalnik	≤-18	Morski sadeži (ribe, kozice, školjke), sladkovodni izdelki in mesni izdelki (priporočljivo 3 mesece, daljši kot je čas shranjevanja, slabša sta okus in hranljivost), primerno za zamrznjena sveža živila.
3	***-Zamrzovalnik	≤-18	Morski sadeži (ribe, kozice, školjke), sladkovodni izdelki in mesni izdelki (priporočljivo 3 mesece, daljši kot je čas shranjevanja, slabša sta okus in hranljivost), primerno za zamrznjena sveža živila.
4	** -Zamrzovalnik	≤-12	Morski sadeži (ribe, kozice, školjke), sladkovodni izdelki in mesni izdelki (priporočljivo 3 mesece, daljši kot je čas shranjevanja, slabša sta okus in hranljivost), primerno za zamrznjena sveža živila.
5	*-Zamrzovalnik	≤-6	Morski sadeži (ribe, kozice, školjke), sladkovodni izdelki in mesni izdelki (priporočljivo 3 mesece, daljši kot je čas shranjevanja, slabša sta okus in hranljivost), primerno za zamrznjena sveža živila.
6	0-zvezdica	-6 ~ 0	Sveža svinjina, govedina, ribe, piščanec, nekatera pakirana predelana živila itd. (priporočljivo je, da ta živila pojedete isti dan, po možnosti jih ne shranjujte več kot 3 dni). Delno enkapsulirana predelana živila (živila, ki jih ni mogoče zamrzniti).
7	Hlajenje	-2 ~ +3	Sveža/zamrznjena svinjina, govedina, piščanec, sladkovodni proizvodi itd. (7 dni pod 0 °C, nad 0 °C je priporočljivo živila porabiti v istem dnevu, po možnosti jih ne shranjujte več kot 2 dni). Morski sadeži (15 dni pod 0 °C, ni priporočljivo shranjevati nad 0 °C).
8	Sveža živila	0 ~ +4	Sveža svinjina, govedina, ribe, piščanec, kuhana hrana itd. (priporočljivo je, da ta živila pojedete isti dan, po možnosti jih ne shranjujte več kot 3 dni)
9	Vino	+5 ~+20	Rdeče vino, belo vino, peneče vino itd.

POZOR

kupljena živila shranjujte glede na predelke ali ciljno temperaturo shranjevanja.

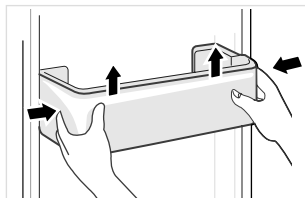
ČIŠČENJE IN VZDRŽEVANJE

Odtajanje

- Hladilnik je izdelan na osnovi principa zračnega hlajenja in ima tako funkcijo samodejnega odtajanja. Zmrzal, ki nastane zaradi spremembe letnega časa ali temperature, lahko tudi ročno odstranite tako, da napravo odklopite z napajanja ali da ga obrišete s suho brisačo.

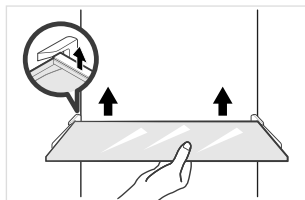
Čiščenje pladnja na vratih

- Kot prikazujejo smerne puščice na spodnji sliki, z obema rokama stisnite pladenj in ga potisnite navzgor, da ga odstranite.
- Potem ko ste očistili pladenj zunaj hladilnika, lahko prilagodite njegovo višino namestitve glede na vaše zahteve.



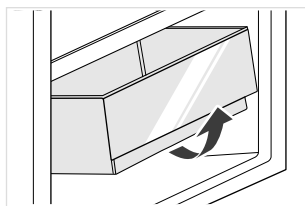
Čiščenje steklene police

- V najbolj notranjem delu hladilnika se na polici nahaja zadnje varovalo, kjer se police dotikajo hladilnika; police morate dvigniti navzgor, da jih boste lahko odstranili.
- Police očistite ali jih prilagodite glede na vaše zahteve.



Čiščenje predala za zelenjavo

1. Odstranite vsebino predala. Držite ročaj predala za zelenjavo in ga popolnoma izvlecite, dokler se ne ustavi.
2. Dvignite predal za zelenjavo in ga odstranite tako, da ga izvlečete.



POZOR

Za čiščenje je priporočljivo uporabiti mehke brisače ali gobico, namočeno v vodo in nekorozivne nevtralne detergente. Na koncu očistite zamrzovalnik s čisto vodo in suho krpo. Pred vklopom napajanja odprite vrata, da se notranjost naravno posuši. Za čiščenje hladilnika ne uporabljajte trdih ščetk, čistilnih jeklenih kroglic, žičnih krtač, abrazivnih sredstev, kot so paste za zobe, organskih topil (kot so alkohol, aceton, bananino olje ipd.), vrele vode, kislin ali alkalnih izdelkov, saj lahko poškodujejo površino in notranjost hladilnika.

ODPRAVLJANJE NAPAK

Naslednja preprosta vprašanja lahko reši uporabnik. Če težave ne odpravite, pokličite poprodajni servis.

Težava	Možen razlog
Naprava ne deluje	<ul style="list-style-type: none">• Preverite, ali je naprava priključena na napajanje ali če ima vtič dober stik v vtičnici
	<ul style="list-style-type: none">• Preverite, ali je napetost prenizka
	<ul style="list-style-type: none">• Preverite, ali je prišlo do izpada napajanja ali izpada delnih tokokrogov
Neprijeten vonj	<ul style="list-style-type: none">• Živila z močnim vonjem morajo biti trdno ovita
	<ul style="list-style-type: none">• Preverite, ali je v napravi pokvarjeno živilo
	<ul style="list-style-type: none">• Očistite notranjost hladilnika
Dolgotrajno delovanje kompresorja	<ul style="list-style-type: none">• Dolgotrajno delovanje hladilnika je poleti normalno,
	<ul style="list-style-type: none">• ko je temperatura okolice visoka. Priporočljivo je, da v napravi ni preveč živil hkrati
	<ul style="list-style-type: none">• Živila se morajo ohladiti, preden jih postavite v napravo
	<ul style="list-style-type: none">• Vrata se prepogosto odpirajo
Luč se ne vklopi	<ul style="list-style-type: none">• Preverite, ali je hladilnik priklopljen na napajanje in ali je luč poškodovana
	<ul style="list-style-type: none">• Luč naj zamenja strokovnjak
Vrat ni mogoče pravilno zapreti	<ul style="list-style-type: none">• Vrata so se zataknila zaradi paketov s hrano, v napravi je preveč živil.
	<ul style="list-style-type: none">• Hladilnik je nagnjen.
Glasi hrup	<ul style="list-style-type: none">• Preverite, ali so tla ravna in ali je hladilnik stabilno postavljen
	<ul style="list-style-type: none">• Preverite, ali je dodatna oprema nameščena na ustreznih mestih

Težava	Možen razlog
Tesnila vrat ne tesnijo	<ul style="list-style-type: none"> • Odstranite tujke s tesnil vrat • Segrejte tesnilo vrat in ga nato ohladite za obnovitev (ali ga popihajte z električnim sušilnikom ali uporabite vročo brisačo za segretje)
Izlivanje iz posode z vodo	<ul style="list-style-type: none"> • V predelu je preveč živil ali pa shranjena živila vsebujejo preveč vode, kar povzroči močno odtajanje. • Vrata niso pravilno zaprta, kar povzroči nabiranje ledu zaradi vstopa zraka in povečanje količine vode zaradi odtajanja
Vroče ohišje	<ul style="list-style-type: none"> • Odvajanje toplote vgrajenega kondenzatorja prek ohišja, kar je normalno. Ko ohišje postane vroče zaradi visoke temperature okolja, shranjevanja prevelike količine živil ali izklopa kompresorja, zagotovite ustrezno prezračevanje za lažje odvajanje toplote.
Kondenzacija na površini	<ul style="list-style-type: none"> • Kondenzacija na zunanji površini in tesnilih vrat hladilnika je normalna, kadar je vlažnost v okolici previsoka. Kondenzat obrišite s čisto brisačo.

PRILOGA

Posebna določila za nov evropski standard

Naročene dele v naslednji tabeli lahko pridobite od kanala ponudnika storitev

Naročeni del	Zagotovi ga	Minimalni čas, zahtevan za zagotavljanje dela
Termostati	Pooblaščen servis	Najmanj 7 let po začetku prodaje zadnjega modela
Senzorji temperature	Pooblaščen servis	Najmanj 7 let po začetku prodaje zadnjega modela
Plošče tiskanega vezja	Pooblaščen servis	Najmanj 7 let po začetku prodaje zadnjega modela
Viri svetlobe	Pooblaščen servis	Najmanj 7 let po začetku prodaje zadnjega modela
Ročaji vrat	Profesionalni serviserji in končni uporabniki	Najmanj 7 let po začetku prodaje zadnjega modela
Tečajji vrat	Profesionalni serviserji in končni uporabniki	Najmanj 7 let po začetku prodaje zadnjega modela
Pladnji	Profesionalni serviserji in končni uporabniki	Najmanj 7 let po začetku prodaje zadnjega modela
Košare	Profesionalni serviserji in končni uporabniki	Najmanj 7 let po začetku prodaje zadnjega modela
Tesnila vrat	Profesionalni serviserji in končni uporabniki	Najmanj 10 let po začetku prodaje zadnjega modela

Spoštovani kupec

- Če želite vrniti ali zamenjati izdelek, se obrnite na prodajalno, v kateri ste ga kupili. (S sabo morate prinesiti račun o nakupu)
- Če se vaš izdelek pokvari in potrebuje popravilo, se obrnite na ponudnika poprodajnih storitev.

POZOR

Podatke o modelu v podatkovni bazi izdelka in identifikator modela lahko dobite prek spletne povezave, ki jo dobite s skeniranjem QR-kode (če obstaja) na nalepki o energetske učinkovitosti izdelka.

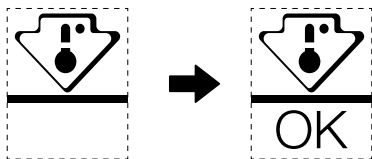
Za več informacij o energetske učinkovitosti naprave obiščite <https://ec.europa.eu> in iščite z uporabo imena modela.

Ime modela najdete na nazivni oznaki naprave.

Najhladnejše območje v hladilniku

OPCIJSKO: OK-indikator temperature

- OK-indikator temperature lahko uporabite za določanje temperatur pod +4 °C. Postopoma znižujte temperaturo, če znak ne kaže "OK".



- Da zagotovite ustrezno temperaturo v tem območju, ne spreminjajte položaja police. Pri hladilnikih z dovajanim zrakom (modeli, opremljeni z ventilatorjem ali modeli Brez Zamrzovanja) simbol za najhladnejše območje ni prisoten, saj je temperatura v njih homogena.

Nastavitev indikatorja temperature

- Za lažjo nastavitev hladilnika je ta opremljen z indikatorjem temperature, ki spremlja povprečno temperaturo najhladnejšega območja.
- OPOZORILO: Ta indikator je namenjen samo za vaš hladilnik, ne uporabljajte ga v drugem hladilniku (najhladnejše območje dejansko ni enako) ali kako drugače.

Preverjanje temperature v najhladnejšem območju

- Z indikatorjem temperature lahko redno preverjate, da je temperatura najhladnejšega območja pravilna. Notranja temperatura hladilnika je odvisna od več dejavnikov, kot so temperatura okolice v prostoru, količina živil v hladilniku in pogostost odpiranja vrat. Pri nastavljanju naprave upoštevajte te dejavnike.
- Kadar indikator prikazuje "OK", to pomeni, da je termostat ustrezno nastavljen in je notranja temperatura pravilna.
- Če se indikator temperature spremeni v BELEGA, to pomeni, da je temperatura previsoka. V tem primeru povečajte nastavitev temperature v hladilniku in počakajte 12 ur pred ponovnim vizualnim preverjanjem indikatorja. Če ste v hladilnik vstavili sveža živila ali če so bila odprta vrata, je mogoče, da se indikator temperature čez nekaj časa spremeni v BELEGA.

SCRISOARE DE MULȚUMIRE

Vă mulțumim că ați ales Midea! Înainte de a utiliza noul dvs. produs Midea, vă rugăm să citiți acest manual cu atenție, pentru a vă asigura că știți cum să utilizați într-o manieră sigură caracteristicile și funcțiile pe care le oferă noul dvs. aparat.

CUPRINS

SCRISOARE DE MULȚUMIRE	01
SPECIFICAȚII	02
PREZENTARE GENERALĂ A PRODUSULUI	03
INSTALAREA PRODUSULUI	04
INSTRUCȚIUNI DE OPERARE	11
CURĂȚARE ȘI ÎNTREȚINERE	15
DEPANARE	16
ANEXĂ	18

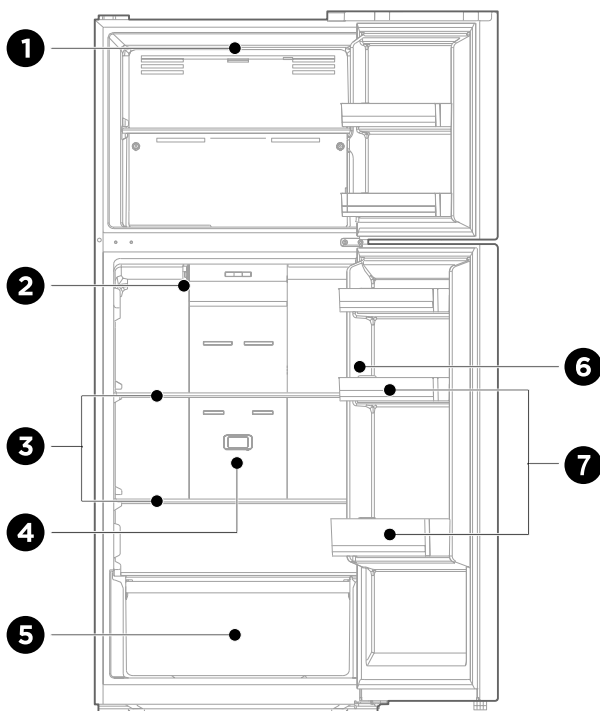
SPECIFICAȚII

Modelul produsului	MDRT489MTE
Tensiune/frecvență nominală	220-240 V~/50 Hz
Curent nominal	0,7 A
Volum total	338 L
Volumul compartimentului de depozitare pentru alimente proaspete	254 L
Volum compartiment de patru stele	84 L
Capacitate de congelare	3,9 kg/24 h
Durata de creștere a temperaturii	10 h
Dimensiuni generale (l x A x H)	595 x 695 x 1724 mm
Modelul produsului	MDRT580MTE
Tensiune/frecvență nominală	220-240 V~/50 Hz
Curent nominal	1,5 A
Volum total	413 L
Volumul compartimentului de depozitare pentru alimente proaspete	306 L
Volum compartiment de patru stele	107 L
Capacitate de congelare	5 kg / 24 h
Durata de creștere a temperaturii	10 h
Dimensiuni generale (l x A x H)	700 x 670 x 1723 mm
Modelul produsului	MDRT645MTE
Tensiune/frecvență nominală	220-240 V~/50 Hz
Curent nominal	1,2 A
Volum total	463 L
Volumul compartimentului de depozitare pentru alimente proaspete	356 L
Volum compartiment de patru stele	107 L
Capacitate de congelare	5 kg / 24 h
Durata de creștere a temperaturii	10 h
Dimensiuni generale (l x A x H)	700 x 691 x 1880 mm

RO

PREZENTARE GENERALĂ A PRODUSULUI

Denumirile componentelor



1 Bec LED

2 Cursor de ajustare a clapetei

3 Raft

4 Deodorizant

5 Cutie pentru fructe și legume

6 Controlul temperaturii

7 Tavă ușă

● ATENȚIE

Imaginea de mai sus este doar pentru referință. Configurația reală va depinde de produsul fizic sau de declarația distribuitorului.

RO

INSTALAREA PRODUSULUI

Instrucțiuni de instalare

Pentru aparate frigorifice cu clasă de climă

- În funcție de clasa de climă, acest aparat frigorific este destinat utilizării la intervalele de temperatură ambiantă specificate în tabelul următor.
- Clasa de climă poate fi găsită pe plăcuța de identificare. Produsul nu poate funcționa corespunzător la temperaturi în afara intervalului specificat.
- Puteți găsi clasa de climă pe eticheta produsului.

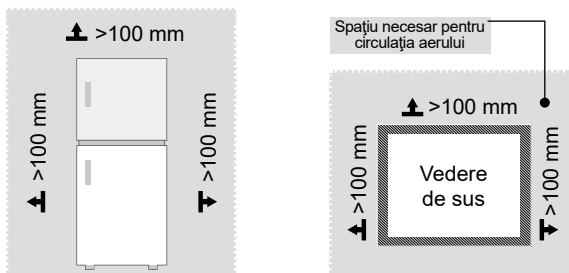
Interval de temperatură eficace

- Produsul este proiectat să funcționeze normal în intervalul de temperatură specificat pe plăcuța de identificare.

Clasă	Simbol	Interval de temperatură ambiantă	
		IEC 62552 (ISO 15502)	ISO 8561
Temperat extinsă	SN	de la + 10 până la + 32	de la + 10 până la + 32
Temperat	N	de la + 16 până la + 32	de la + 16 până la + 32
Subtropical	ST	de la + 16 până la + 38	de la + 18 până la + 38
Tropical	T	de la + 16 până la + 43	de la + 18 până la + 43

Dimensiuni și distanțe

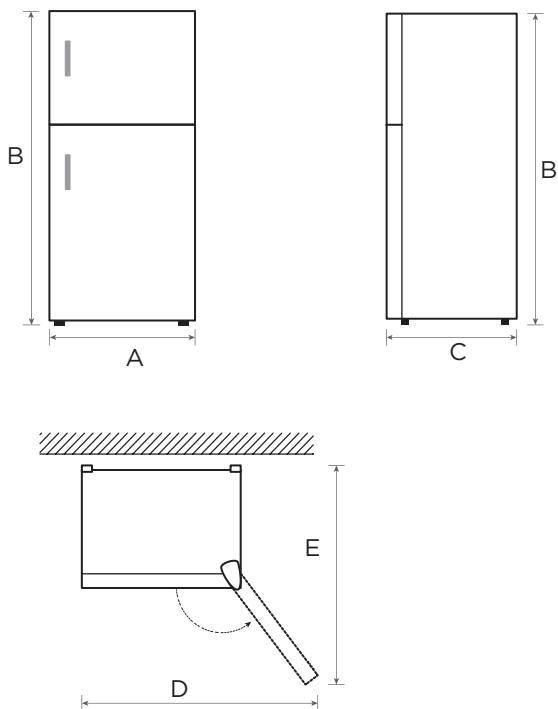
- O distanță prea mică față de obiectele învecinate poate duce la diminuarea capacității de congelare și costuri cu electricitatea ridicate. Lăsați o distanță de 100 mm față de fiecare perete învecinat atunci când instalați aparatul.



⚠️ ATENȚIE

Imaginea de mai sus este doar pentru referință. Configurația reală va depinde de produsul fizic sau de declarația distribuitorului.

Diagrama spațiului necesar (când ușa este deschisă și când ușa este închisă)




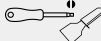
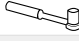

Modelul produsului	Lățime	Înălțime totală	Adâncime	Lățime uși deschise 135°	Adâncime uși deschise 135°
	A	B	C	D	E
MDRT489MTE	595	1724	695	997	1137
Modelul produsului	Lățime	Înălțime totală	Adâncime	Lățime uși deschise 125°	Adâncime uși deschise 125°
	A	B	C	D	E
MDRT580MTE	700	1723	670	1085	1252
MDRT645MTE	700	1880	691	1085	1252

Aviz: Toate dimensiunile în mm

RO

Schimbarea direcției de deschidere a ușii

Lista instrumentelor care trebuie asigurate de utilizator

	Cheie inbus - Șurubelniță cu cap în cruce
	Șpaclu Șurubelniță cu lamă subțire
	Cheie tubulară de 5/16"
	Bandă de mascare

Piese care trebuie utilizate pentru inversarea ușii

SN	Piese	Cantitate
1	Balama superioară dreaptă	1
2	Capac balama superioară dreapta	1
3	Manșon ax balama superioară	1
4	Șurub balama superioară	3
5	Capac gaură	1
6	Șurub balama mijloc	2
7	Balamaua de mijloc	1
8	Dop de mascare	2
9	Șurub traversă mijloc	1
10	Capac cu filet traversă mijloc	1
11	Picior ajustabil	1
12	Șurub balama inferioară	3
13	Ansamblu balama inferioară	1
14	Șurub capac capăt inferior al ușii congelatorului	1
15	Limitator al capacului terminal al ușii congelatorului	1
16	Șurub capac terminal inferior al ușii compartimentului frigiderului	1
17	Limitator capac terminal inferior al ușii frigiderului	1
18	Manșon ax capac terminal superior al ușii frigiderului	1
19	Suport inferior al ușii frigiderului	1
20	Pachet de accesorii	4
21	Element pentru autoblocarea ușii drepte	1

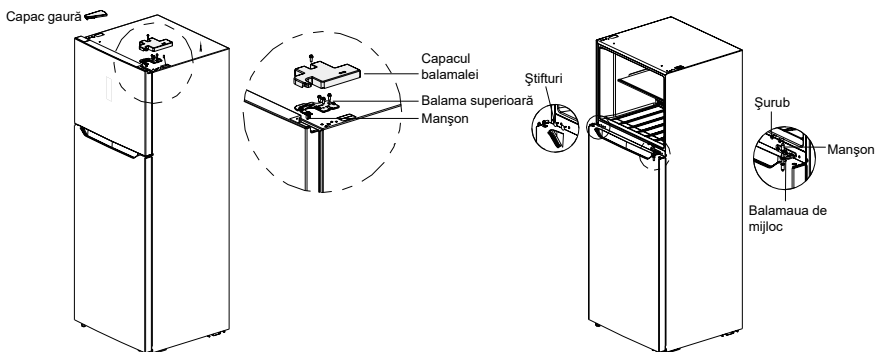
Note:

1-19/Instalat în prealabil pe frigider și pentru a fi utilizat la schimbarea ușii

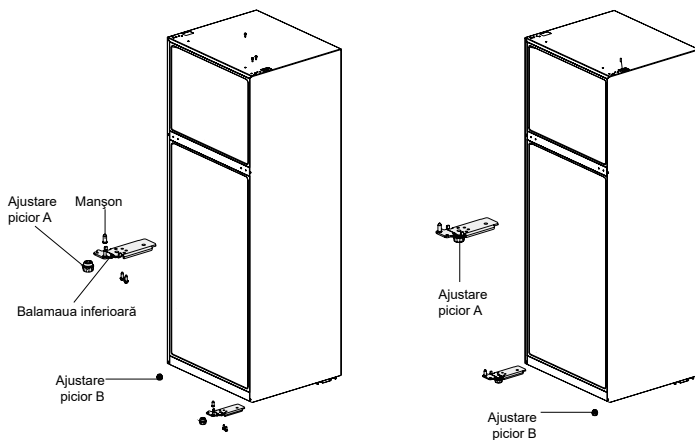
20/Balama superioară stânga, capac balama superioară stânga, element pentru autoblocarea ușii stângi, capac decorativ stânga

21/Instalat în prealabil pe frigider, îndepărtat și păstrat la schimbarea ușii

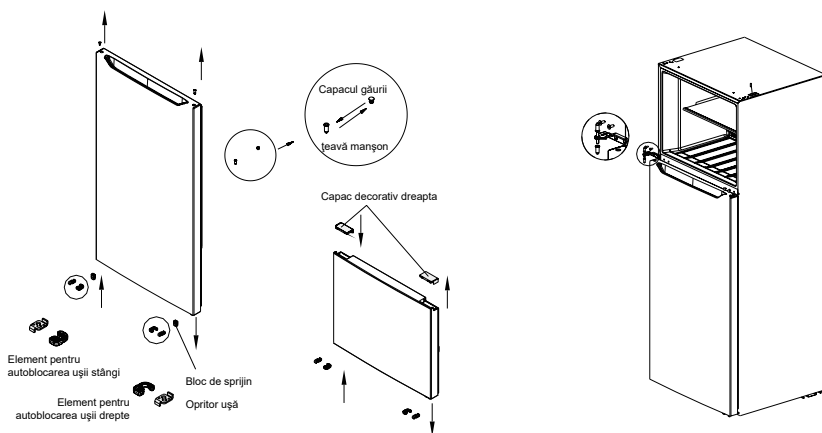
1. Vă rugăm să opriți acest aparat înainte de a efectua această operație.
2. Îndepărtați capacul balamalei și înșurubați partea dreaptă superioară a cutiei, precum și balamaua superioară și capacul găurii de pe partea stângă.



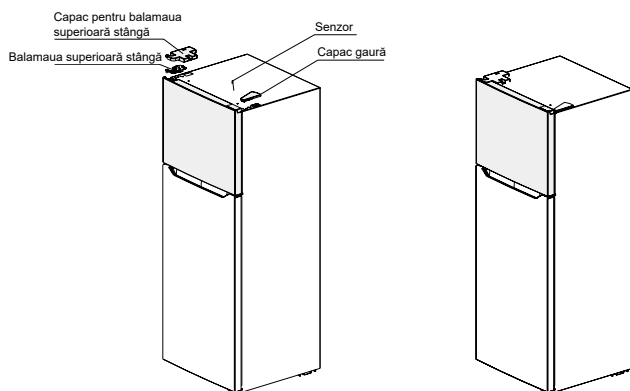
3. Deșurubați șurubul balamalei, scoateți balamaua mijlocie și manșonul axului superior, depărtați cele două capace ale găurilor balamalei (știfturi) de pe balamaua mijlocie și scoateți în sus corpul ușii frigiderului.
4. Montați axul balamalei și manșonul axului pe gaura stângă a balamalei inferioare, apoi balamaua inferioară pe colțul stâng al frigiderului, apoi ajustați piciorul A corespunzător poziției indicate în figură, iar la sfârșit ajustați piciorul B în colțul inferior dreapta al frigiderului.



5. Dezasamblați opritorul de ușă al celor două corpuri de ușă și șuruburile autoblocante ale ușii drepte, apoi scoateți elementul pentru autoblocarea ușii stângi din cutia cu accesorii și montați-l în colțul stâng al corpului ușii împreună cu opritorul ușii; scoateți reazemul inferior al corpului ușii compartimentului de refrigerare și instalați-l în colțul stâng inferior; la sfârșit, scoateți dopul de mascare și manșonul axului pentru ușa compartimentului de refrigerare și ajustați pozițiile acestora, apoi instalați-le în corpul ușii. Scoateți capacul decorativ drept de pe ușa compartimentului de refrigerare și capacul decorativ stâng din punga cu accesorii și montați-l.



6. Montați ușa compartimentului de refrigerare pe balamaua inferioară, balamaua mijlocie de pe partea frigiderului și strângeți șuruburile și montați ferm manșonul axului. Introduceți știftul în gaura de pe balamaua mijlocie la celălalt capăt.
7. Montați ușa frigiderului pe balamaua mijlocie, scoateți balamaua superioară stângă și capacul acesteia din punga cu accesorii, montați balamaua stângă și strângeți șuruburile, montați capacul balamalei superioare stângi și strângeți șuruburile, montați senzorul drept în capacul găurii stânga inițial și apoi fixați capacul găurii pe cutia dreaptă.
8. După terminarea instalării.



● ATENȚIE

Imaginea de mai sus este doar pentru referință. Configurația reală va depinde de produsul fizic sau de declarația distribuitorului.

Picioarele de echilibrare

Pentru a evita vibrațiile, unitatea trebuie să fie nivelată.

Dacă este necesar, reglați șuruburile de nivelare pentru a compensa podeaua neuniformă.

Partea din față trebuie să fie puțin mai înaltă decât partea din spate pentru a ajuta la închiderea ușii.

Șuruburile de nivelare pot fi rotite cu ușurință prin înclinarea ușoară a dulapului.

Rotiți șuruburile de nivelare în sensul invers acelor de ceasornic  pentru a ridica unitatea, în sensul acelor de ceasornic  pentru a-l coborî.

Mutarea aparatului

1. Scoateți toate alimentele din interiorul aparatului.
2. Scoateți ștecherul, introduceți-l și fixați-l în cârligul ștecherului din spate sau deasupra aparatului.
3. Piese de bandă, cum ar fi rafturile și mânerul ușii, pentru a preveni căderea în timpul deplasării aparatului.
4. Mutați aparatul în mai mult de două persoane și cu atenție. Când transportați aparatul la o distanță lungă, păstrați aparatul în poziție verticală.
5. După instalarea aparatului, conectați fișa de alimentare la o priză pentru a porni aparatul.

ATENȚIE

Precauții înainte de operare:

Înainte de a efectua modificări, frigiderul trebuie deconectat de la alimentare.

Trebuie luate măsuri de precauție pentru a evita producerea unor eventuale vătămări corporale.

Schimbarea luminii

- Orice înlocuire sau întreținere a lămpilor LED, trebuie realizată de către producător, agentul de servicii sau o persoană similară calificată.

ATENȚIE

MDRT489MTE conține o sursă de lumină de clasă de eficiență energetică (F)

MDRT580MTE/MDRT645MTE conține două surse de lumină de clasă de eficiență energetică (F)

Conectarea aparatului

După instalarea aparatului, introduceți ștecherul într-o priză.

ATENȚIE

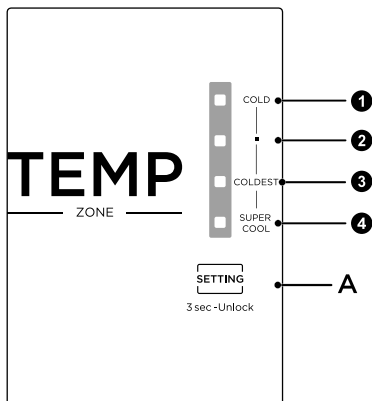
După conectarea cablului de alimentare electrică (sau a ștecherului) la priză, așteptați timp de 2 sau 3 ore înainte de a introduce alimentele în frigider. Dacă adăugați alimente înainte ca aparatul să se răcească complet, alimentele se pot strica.

Sfaturi pentru economisirea energiei

- Nu amplasați aparatul aproape de aparate de gătit, radiatoare sau alte surse de căldură. Dacă temperatura ambiantă este ridicată, compresorul va funcționa mai frecvent și pentru perioade mai lungi, ceea ce duce la un consum de energie crescut.
- Asigurați-vă că există ventilație suficientă la baza aparatului, în părțile laterale ale aparatului și în spatele aparatului. Nu acoperiți niciodată orificiile de ventilație.
- De asemenea, vă rugăm să păstrați distanțele menționate la capitolul „Instalare”.
- Disponerea sertarelor, polițelor și rafturilor precum în figură oferă cel mai eficient mod de utilizare a energiei și, prin urmare, ar trebui pe cât posibil menținută. Toate sertarele și polițele trebuie să rămână în aparat pentru menține temperatura stabilă și pentru a economisi energie.
- Pentru a obține mai mult spațiu de stocare (de ex. pentru alimente refrigerate/congelate), sertarele mijlocii pot fi îndepărtate. Sertarele și polițele din partea superioară și din partea inferioară trebuie îndepărtate ultimele dacă este necesar.
- Un compartiment de refrigerare/congelare umplut uniform contribuie la utilizarea optimă a energiei. Prin urmare, evitați compartimentele goale sau semigoale.
- Lăsați alimentele calde să se răcească înainte de a le introduce în frigider/congelator. Alimentele care s-au răcit deja cresc eficiența energetică.
- Lăsați alimentele congelate să se dezghețe în frigider. Răceala alimentelor congelate reduce consumul de energie în compartimentul de refrigerare și crește astfel eficiența energetică.
- Deschideți ușa pentru foarte puțin timp, doar atât cât este necesar, pentru a minimiza pierderea de frig. Deschiderea ușii pentru scurt timp și închiderea corespunzătoare reduce consumul de energie.
- Garniturile ușii aparatului dvs. trebuie să fie perfect intacte, astfel încât ușile să se închidă corespunzător și consumul de energie să nu fie crescut inutil.

INSTRUCȚIUNI DE OPERARE

Panou de comandă



Tastă

- Setarea 1 (COLD)
- Setarea 2 (MID)
- Setarea 3 (COLDEST)
- Setarea 4 (SUPER COOL)
- Setarea A (Buton de setare a temperaturii compartimentului de refrigerare)

ATENȚIE

Panoul de control real poate fi diferit de la un model la altul.

RO

Afișaj

- atunci când electrificați frigiderul pentru prima dată, ecranul de afișare strălucește complet timp de 3 secunde, apoi frigiderul funcționează în conformitate cu setarea 3. În cazul unei defecțiuni, LED-ul corespunzător clipește. În cazul în care nu există defecțiuni, acesta afișează temperatura setată a frigiderului.

Cod eroare	Descrierea erorii
Indicator setarea 3 și setarea 4	Defectarea senzorului de temperatură al compartimentului frigorific
Indicator setarea 2 și setarea 4	Defectarea senzorului de dezghețare a compartimentului de congelare
Indicator setarea 1 și setarea 4	Defectarea senzorului de temperatură ambientă

Setarea temperaturii

- De fiecare dată când butonul de setare a temperaturii (A) este apăsat, setarea de temperatură se modifică o dată. Când setarea temperaturii este finalizată, frigiderul funcționează corespunzător setării după 15 secunde.
- Setarea se modifică în ordinea următoare:

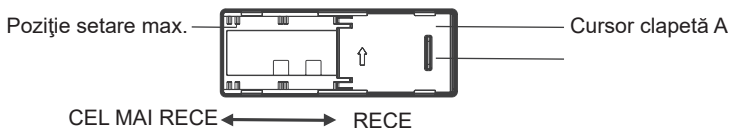


Blocare/Deblocare

- Apăsați prelung pe butonul TEMP timp de 3 secunde pentru deblocare și timp de 30 de secunde pentru blocarea automată fără acționare.

Cursor de ajustare a clapetei

- Temperatura din interiorul congelatorului poate fi ajustată prin modificarea poziției cursorului clapetei. Poziția inițială a cursorului clapetei este poziția A. Dacă este necesară o temperatură mai redusă în congelator, puteți ajusta cursorul clapetei din poziția A spre stânga.
- Pentru o mai bună utilizare a frigiderului, se recomandă să mențineți cursorul clapetei în poziția inițială.



Oprirea utilizării

- **Pană de curent:** În caz de întrerupere a energiei electrice, chiar dacă este vara, alimentele din interiorul aparatului pot fi păstrate câteva ore; în timpul penei de curent, timpul de deschidere a ușii trebuie redus și nu trebuie introduse alimente proaspete în aparat.
- **Neutilizare pe termen lung:** Aparatul trebuie deconectat și apoi curățat; apoi ușile vor fi lăsate deschise pentru a preveni mirosul.

Sfaturi privind alimentele stocate

Compartimentul de congelare

- Congelatorul este destinat depozitării alimentelor congelate la temperaturi foarte reduse, depozitării pe termen lung a alimentelor congelate și pentru producția de gheață.
- Folosiți rafturile din ușa congelatorului pentru a depozita alimente congelate, nu pentru a depozita alimente fierbinți care urmează să fie congelate.
- Nu puneți alimente proaspete și alimente congelate alături unele de celelalte. Alimentele congelate se pot dezgheța.
- Când se congelează alimente proaspete (precum carne, pește sau carne tocată), porționați-le în porții ce pot fi utilizate în același timp.
- Depozitarea alimentelor congelate: de obicei, instrucțiunile sunt specificate pe ambalaje și trebuie urmate. Dacă nu există informații pe ambalaje, alimentele nu trebuie depozitate pentru mai mult de trei luni de la data achiziționării.
- Atunci când achiziționați alimente congelate, asigurați-vă că acestea au fost congelate la o temperatură adecvată și că ambalajul nu este deteriorat.
- Alimentele congelate trebuie păstrate în ambalaje adecvate pentru a menține calitatea și trebuie reintroduse în compartimentul de congelare cât mai curând posibil.
- Dacă ambalajul unui aliment congelat prezintă umezeală sau proeminențe anormale, acest lucru este probabil din cauza faptului că a fost depozitat la temperatura nepotrivită și înseamnă că conținutul este alterat.
- Perioada de depozitare pentru alimente congelate depinde de temperatura camerei, reglajul termostatului, frecvența de deschidere a ușii frigiderului, tipul de aliment și de durata transportării produsului din magazin până acasă. Urmați întotdeauna instrucțiunile imprimate pe ambalaj și nu depășiți niciodată timpul maxim de păstrare specificat pe ambalaj.

Compartiment de răcire

- Pentru a reduce umezeala și prin urmare formarea de gheață, nu introduceți niciodată în frigider lichide în recipiente neetanșe. Frigul tinde să se concentreze în părțile cele mai reci ale evaporatorului. Depozitarea lichidelor neacoperite duce la nevoia mai frecventă de dezghețare.
- Nu introduceți niciodată alimente calde în frigider. Acestea trebuie mai întâi răcite la temperatura camerei și apoi amplasate în așa fel încât să se asigure o circulație adecvată a aerului în frigider.
- Alimentele sau recipientele alimentare nu trebuie să atingă peretele posterior al frigiderului, deoarece ar putea cauza înghețarea peretelui. Nu țineți deschisă frecvent ușa frigiderului.
- În frigider se pot amplasa carne și pește curat (păstrate într-un ambalaj sau într-o folie de plastic) ce pot fi consumate în 1-2 zile.
- Fructele și legumele neambalate pot fi amplasate în partea destinată fructelor și legumelor proaspete.

ATENȚIE

Reglajul optim de temperatură pentru fiecare compartiment depinde de temperatură ambientă. La alegerea unei temperaturi mai mari decât cea optimă se ține seama de o temperatură ambientă de 25 °C.

Comandă	TIP de compartimente	Temperatura țintă de depozitare. [°C]	Alimente adecvate
1	Frigider	+2 ~ +8	Ouăle, alimentele gățite, alimentele ambalate, fructele și legumele, produsele lactate, prăjiturile, băuturile și alte alimente nu sunt potrivite pentru congelare.
2	(**)* – Congelator	≤-18	Fructe de mare (pește, creveți, crustacee), produse acvatică de apă dulce și produse din carne (recomandat pentru 3 luni, cu cât timpul de depozitare este mai lung, cu atât gustul și valoarea nutritivă se degradează mai puternic), sunt adecvate pentru congelare atunci când sunt proaspete.
3	*** – Congelator	≤-18	Fructe de mare (pește, creveți, crustacee), produse acvatică de apă dulce și produse din carne (recomandat pentru 3 luni, cu cât timpul de depozitare este mai lung, cu atât gustul și valoarea nutritivă se degradează mai puternic), sunt adecvate pentru congelare atunci când sunt proaspete.
4	** – Congelator	≤-12	Fructe de mare (pește, creveți, crustacee), produse acvatică de apă dulce și produse din carne (recomandat pentru 3 luni, cu cât timpul de depozitare este mai lung, cu atât gustul și valoarea nutritivă se degradează mai puternic), sunt adecvate pentru congelare atunci când sunt proaspete.
5	* – Congelator	≤-6	Fructe de mare (pește, creveți, crustacee), produse acvatică de apă dulce și produse din carne (recomandat pentru 3 luni, cu cât timpul de depozitare este mai lung, cu atât gustul și valoarea nutritivă se degradează mai puternic), sunt adecvate pentru congelare atunci când sunt proaspete.
6	0 stele	-6 ~ 0	Carne proaspătă de porc, vită, pește, pui, unele alimente procesate ambalate etc. (Se recomandă consumul în aceeași zi, de preferință în cel mult 3 zile). Alimente procesate parțial încapsulate (alimente care nu pot fi congelate).
7	Rece	-2 ~ +3	Carne de porc, carne de vită, carne de pui, produse acvatică de apă dulce etc. proaspete/congelate (7 zile sub 0 °C și peste 0 °C este recomandat să fie consumate în aceeași zi, de preferință nu mai mult de 2 zile). Fructe de mare (mai puțin de 0 °C timp de 15 zile, nu se recomandă păstrarea la temperaturi mai mari de 0 °C).
8	Alimente proaspete	0 ~ +4	Carne de porc, vită, pește, pui proaspătă, mâncare gătită etc. (se recomandă să fie consumate în aceeași zi, de preferință nu după mai mult de 3 zile)
9	Vin	+5 ~+20	Vin roșu, vin alb, vin spumant etc.

ATENȚIE

Vă rugăm să depozitați alimentele diferite în compartimentele corespunzătoare sau în funcție de temperatura țintă de depozitare a acestora.

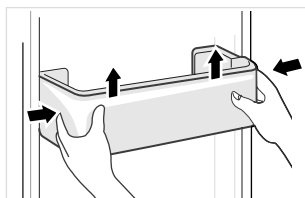
CURĂȚARE ȘI ÎNTREȚINERE

Decongelarea

- Frigiderul este realizat pe baza principiului răcirii aerului, prin urmare dispune de o funcție de decongelare automată. Gheața formată din cauza schimbării anotimpului sau a temperaturii poate fi de asemenea îndepărtată manual prin deconectarea aparatului de la sursa de alimentare sau prin ștergere cu un prosop uscat.

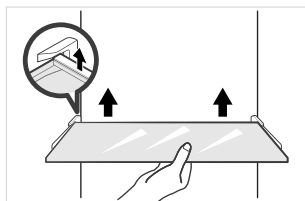
Curățarea tăvii din ușă

- Conform săgeții de direcție din figura de mai jos, folosiți ambele mâini pentru a strânge tava și împingeți-o în sus, apoi o puteți scoate.
- După ce ați spălat tava, puteți regla înălțimea de instalare în funcție de cerințele dvs.



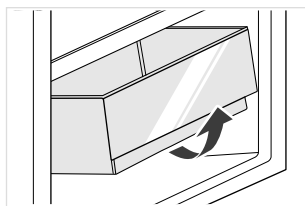
Curățarea raftului de sticlă

- Deoarece partea cea mai interioară a căptușelii frigiderului în care contactul cu rafturile are o barieră, veți ridica rafturile în sus, apoi le veți putea scoate.
- Reglați sau curățați rafturile în funcție de cerințele dumneavoastră.



Curățarea sertarului pentru legume

1. Scoateți conținutul sertarului. Apucați de mânerul sertarului pentru legume și trageți-l complet până când se oprește.
2. Ridicați sertarul pentru legume și scoateți-l trăgându-l în afară.



ATENȚIE

Pentru curățare se recomandă prosoape moi sau burete înmuiat în apă și detergenți neutri necorozivi. Congelatorul se curăță în cele din urmă cu apă curată și cu o cârpă uscată. Deschideți ușa pentru uscare naturală înainte ca alimentarea să fie pornită. Nu utilizați perii dure, bile de oțel curate, perii de sârmă, abrazivi (cum ar fi pastele de dinți), solvenți organici (cum ar fi alcool, acetonă, ulei de banane etc.), apă clorotită, obiecte acide sau alcaline, care pot deteriora suprafața frigiderului și interiorului.

RO

DEPANARE

Următoarele probleme simple trebuie remediate de utilizator. Adresați-vă departamentului de servicii post-vânzare dacă problemele nu se remediază.

Problemă	Cauză posibilă
Funcționare eșuată	• Verificați dacă aparatul este conectat la energie sau dacă priza este într-un contact bun
	• Verificați dacă tensiunea este prea mică
	• Verificați dacă există o pană de curent sau dacă circuitele parțiale s-au declanșat
Miros neplăcut	• Alimentele mirositoare trebuie să fie împachetate strâns
	• Verificați dacă există alimente alterate
	• Curățați interiorul frigiderului
Funcționarea pe termen lung a compresorului	• Funcționarea îndelungată a frigiderului este normală în timpul verii,
	• când temperatura ambiantă este ridicată. Nu se recomandă să țineți prea multe alimente în aparat în același timp
	• Alimentele trebuie să se răcească înainte de a fi puse în aparat
	• Ușile sunt deschise prea des
Lumina nu se aprinde	• Verificați dacă frigiderul este conectat la sursa de alimentare și dacă lumina iluminatoare este deteriorată
	• Solicitați înlocuirea luminii de către un specialist
Ușa nu poate fi închisă corect	• Ușa este blocată de pachetele cu alimente, deoarece s-au introdus prea multe alimente.
	• Frigiderul este înclinat.
Zgomot puternic	• Verificați dacă podeaua este plană și dacă frigiderul este așezat stabil
	• Verificați dacă accesoriile sunt amplasate în locații adecvate

Problemă	Cauză posibilă
Etanșarea ușii nu este strânsă	<ul style="list-style-type: none"> • Îndepărtați obiectele străine de pe garnitura ușii • Încălziți garnitura ușii și apoi răciți-o pentru restaurare (sau folosiți un uscător electric, sau un prosop fierbinte pentru încălzire).
Tava colectoare de apă se revarsă	<ul style="list-style-type: none"> • Există prea multe alimente în cameră sau alimentele depozitate conțin prea multă apă, ducând la o decongelare puternică. • Ușile nu sunt închise corespunzător, ceea ce duce la înghețare din cauza pătrunderii aerului și a cantității mari de apă cauzate de dezghețare
Carcasă fierbinte	<ul style="list-style-type: none"> • Căldura condensatorului încorporat este disipată prin intermediul carcasei, acest lucru fiind normal. În cazul în care carcasa se înfierbântă din cauza temperaturii ambiante ridicate, stocării unei cantități prea mari de alimente sau opririi compresorului, asigurați ventilarea puternică pentru a ușura disiparea căldurii.
Condensarea suprafeței	<ul style="list-style-type: none"> • Condensarea pe suprafața exterioară și etanșările ușilor frigiderului este normală atunci când umiditatea ambientală este prea mare. Ștergeți condensul cu un prosop curat.

ANEXĂ

Special pentru noul standard european

Piesele comandate în tabelul următor pot fi achiziționate de la canalul furnizorului de servicii

Piesa comandată	Furnizat de	Perioadă minimă necesară de furnizare
Termostate	Personal de întreținere profesionist	La cel puțin 7 ani de la lansarea pe piață a ultimului model
Senzori de temperatură	Personal de întreținere profesionist	La cel puțin 7 ani de la lansarea pe piață a ultimului model
Plăci cu circuite imprimate	Personal de întreținere profesionist	La cel puțin 7 ani de la lansarea pe piață a ultimului model
Surse de lumină	Personal de întreținere profesionist	La cel puțin 7 ani de la lansarea pe piață a ultimului model
Mănerile ușilor	Reparatori profesioniști și utilizatori finali	La cel puțin 7 ani de la lansarea pe piață a ultimului model
Balamale de ușă	Reparatori profesioniști și utilizatori finali	La cel puțin 7 ani de la lansarea pe piață a ultimului model
Tăvi	Reparatori profesioniști și utilizatori finali	La cel puțin 7 ani de la lansarea pe piață a ultimului model
Coșuri	Reparatori profesioniști și utilizatori finali	La cel puțin 7 ani de la lansarea pe piață a ultimului model
Garnituri pentru uși	Reparatori profesioniști și utilizatori finali	La cel puțin 10 ani de la lansarea pe piață a ultimului model

Stimate client

1. Dacă doriți să returnați sau să înlocuiți produsul, vă rugăm să contactați magazinul de unde l-ați cumpărat.

(Nu uitați să aduceți factura de cumpărare)

2. Dacă produsul dvs. se defectează și trebuie reparat, contactați furnizorul de servicii post-vânzare.

ATENȚIE

Informațiile privind modelul din baza de date cu produse, precum și codul de identificare a modelului pot fi aflate cu ajutorul unui link web obținut prin scanarea codului QR de pe eticheta de eficiența energetică a produsului, dacă acest cod există.

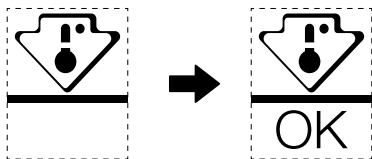
Pentru informații suplimentare despre eficiența energetică a aparatului, vizitați <https://ec.europa.eu> și căutați utilizând numele modelului.

Numele modelului poate fi găsit pe plăcuța indicatoare a aparatului.

Zona cea mai rece a frigiderului

OPȚIONAL: Indicator de temperatură OK

- Indicatorul de temperatură OK poate fi utilizat pentru a determina temperaturi sub +4°C. Reduceți treptat temperatura dacă semnul nu indică "OK".



- Pentru a menține temperatura în această zonă, nu modificați poziția raftului. În frigiderele cu circulație forțată a aerului (dotate cu un ventilator sau cu tehnologie care împiedică formarea gheții în interior), simbolul celei mai reci zone nu este reprezentat, deoarece temperatura internă este omogenă.

Setarea indicatorului de temperatură

- Pentru a vă ajuta să reglați frigiderul bine, acesta este dotat cu un indicator de temperatură care va monitoriza temperatura medie în zona cea mai rece.
- **AVERTISMENT:** Acest indicator este destinat să funcționeze numai cu frigiderul dvs., nu îl utilizați în alt frigider (de fapt, zona cea mai rece nu este aceeași) sau pentru orice altă utilizare.

Verificarea temperaturii în zona cea mai rece

- Cu ajutorul indicatorului de temperatură puteți verifica regulat dacă temperatura celei mai reci zone este corectă. Într-adevăr, temperatura în interiorul frigiderului depinde de mai mulți factori precum temperatura ambiantă a camerei, cantitatea de alimente stocate și frecvența de deschidere a ușii. Țineți seama de acești factori atunci când setați aparatul.
- Atunci când indicatorul arată «OK», înseamnă că termostatul este bine reglat și că temperatura internă este corectă.
- Dacă indicatorul de temperatură devine ALB, înseamnă că temperatura este prea mare; în acest caz, măriți setarea de control a temperaturii frigiderului și așteptați timp de 12 ore înainte de a verifica din nou indicatorul. Dacă s-au introdus alimente proaspete sau dacă ușa a fost lăsată deschisă, este posibil ca indicatorul de temperatură să devină ALB după un timp.

БЛАГОДАРНОСТИ

Благодарим Ви, че избрахте Midea! Преди да използвате новия си уред Midea, прочетете внимателно това ръководство, за са сте сигурни, че знаете как да използвате безопасно функциите, които този нов уред предлага.

СЪДЪРЖАНИЕ

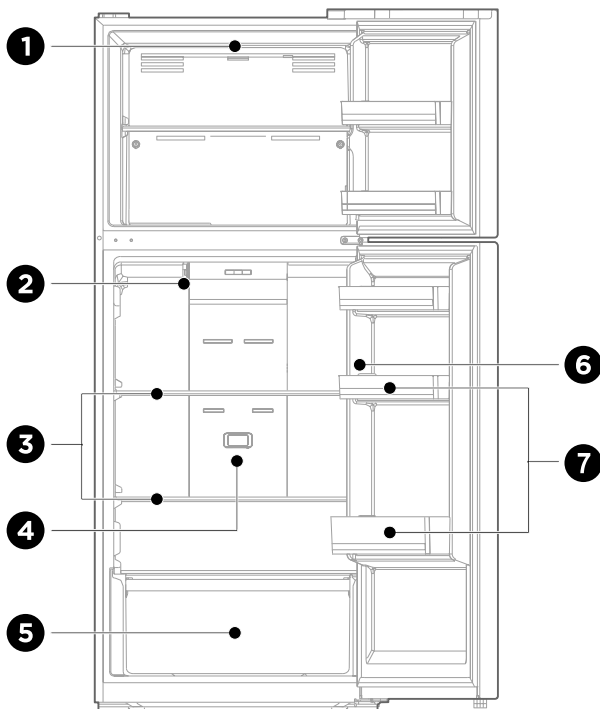
БЛАГОДАРНОСТИ	01
СПЕЦИФИКАЦИИ	02
ПРЕГЛЕД НА ПРОДУКТА	03
МОНТАЖ НА ПРОДУКТА	04
ИНСТРУКЦИИ ЗА РАБОТА	11
ПОЧИСТВАНЕ И ПОДДРЪЖКА	15
ОТСТРАНЯВАНЕ НА НЕИЗПРАВНОСТИ	16
ДОПЪЛНЕНИЕ	18

СПЕЦИФИКАЦИИ

Модел на продукта	MDRT489MTE
Номинално напрежение/честота	220-240V~/50Hz
Номинален ток	0,7 A
Общ обем	338 L
Обем на отделението за съхранение на пресни продукти	254 L
Обем на отделението с четири звезди	84 L
Капацитет за замразяване	3,9 kg / 24 часа
Време за повишаване на температурата	10 часа
Общи размери (Ш x Д x В)	595 x 695 x 1724 mm
Модел на продукта	MDRT580MTE
Номинално напрежение/честота	220-240V~/50Hz
Номинален ток	1,5 A
Общ обем	413 L
Обем на отделението за съхранение на пресни продукти	306 L
Обем на отделението с четири звезди	107 L
Капацитет за замразяване	5 kg / 24 часа
Време за повишаване на температурата	10 часа
Общи размери (Ш x Д x В)	700 x 670 x 1723 mm
Модел на продукта	MDRT645MTE
Номинално напрежение/честота	220-240V~/50Hz
Номинален ток	1,2 A
Общ обем	463 L
Обем на отделението за съхранение на пресни продукти	356 L
Обем на отделението с четири звезди	107 L
Капацитет за замразяване	5 kg / 24 часа
Време за повишаване на температурата	10 часа
Общи размери (Ш x Д x В)	700 x 691 x 1880 mm

ПРЕГЛЕД НА ПРОДУКТА

Наименования на компонентите



1 LED осветление

2 Плъзгач за регулиране на клапата

3 Рафт

4 Дезодоратор

5 Кутия за плодове и зеленчуци

6 Управление на температурата

7 Тава на вратата

ЗАБЕЛЕЖКА

Горното изображение е само за справка. Действителната конфигурация зависи от самия продукт или дистрибутора.

МОНТАЖ НА ПРОДУКТА

Инструкции за монтаж

За хладилни уреди с климатичен клас

- В зависимост от климатичния клас, този хладилен уред е предназначен за употреба при посочените в долната таблица температурни диапазони.
- Климатичният клас е посочен на табелката на уреда. Продуктът може да не работи оптимално при температури извън посочения диапазон.
- Климатичният клас на продукта е посочен върху неговия етикет.

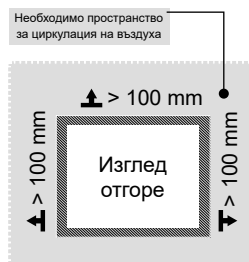
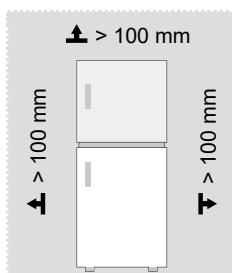
Температурен диапазон на ефективност

- Продуктът е проектиран да работи нормално в указания за неговия клас температурен диапазон.

Клас	Символ	Диапазон на околната температура ° C	
		IEC 62552 (ISO 15502)	ISO 8561
Разширен клас за умерен климат	SN	+10 до +32	+10 до +32
Клас за умерен климат	N	+16 до +32	+16 до +32
Клас за субтропичен климат	ST	+16 до +38	+18 до +38
Клас за тропичен климат	T	+16 до +43	+18 до +43

Размери и отстояния

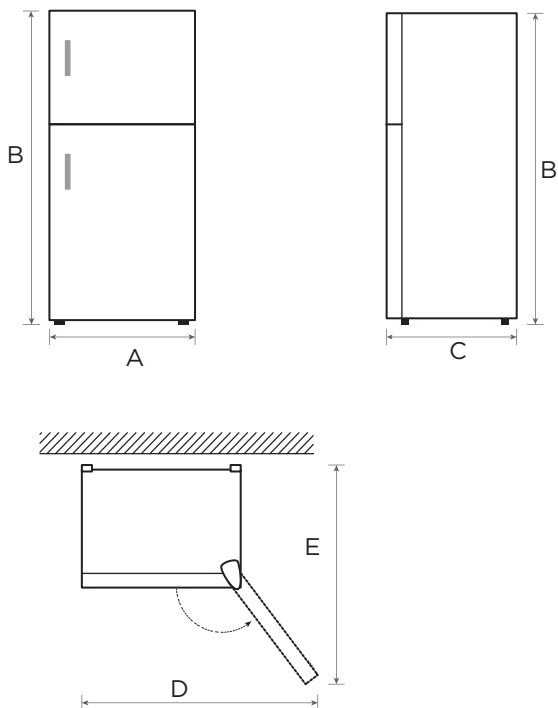
- Твърде малкото разстояние от околните предмети може да доведе до влошаване на възможностите за замразяване и увеличаване на разходите за електричество. Когато инсталирате уреда, осигурете поне 100 mm разстояние от всички околни стени.



ЗАБЕЛЕЖКА

Горното изображение е само за справка. Действителната конфигурация зависи от самия продукт или дистрибутора.

Диаграма на изискванията за пространство (при отворена врата и при затворена врата)


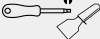




Модел на продукта	Ширина	Обща височина	Дълбочина	Ширина при отворени врати на 135°	Дълбочина при отворени врати на 135°
	A	B	C	D	E
MDRT489MTE	595	1724	695	997	1137
Модел на продукта	Ширина	Обща височина	Дълбочина	Ширина при отворени врати на 125°	Дълбочина при отворени врати на 125°
	A	B	C	D	E
MDRT580MTE	700	1723	670	1085	1252
MDRT645MTE	700	1880	691	1085	1252

Забележка: Всички размери са в mm

Смяна на посоката на отваряне на вратата от дясно наляво

Списък с инструменти, които да се осигурят от потребителя

	Шестограмен ключ – кръстата отвертка
	Шпакла, тънка права отвертка
	Гаечен ключ 8 mm (5/16")
	Самозалепваща лента

Части, използвани при обръщане на вратата

SN	Части	Количество
1	Горна дясна панта	1
2	Капаче на горна дясна панта	1
3	Ръкав на оста на горна панта	1
4	Винт на горна панта	3
5	Капаче на отвор	1
6	Винт на средна панта	2
7	Средна панта	1
8	тапа на отвор	2
9	Винт на средна греда	1
10	Капаче на винт на средна греда	1
11	Регулируемо краче	1
12	Винт на долна панта	3
13	Модул на долната панта	1
14	Винт на долно капаче на вратата на фризера	1
15	Ограничител на долно капаче на вратата на фризера	1
16	Винт на долно капаче на вратата на хладилника	1
17	Ограничител на долно капаче на вратата на хладилника	1
18	Ръкав на оста на горно капаче на вратата на хладилника	1
19	Долна опора на вратата на хладилника	1
20	Пакет с аксесоари	4
21	Самозаклучване на дясна врата	1

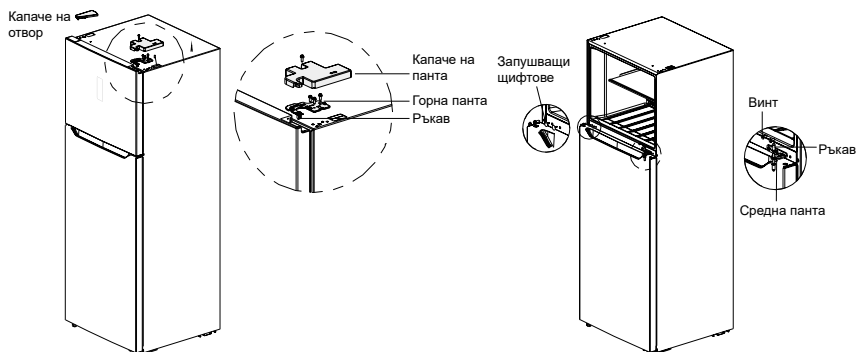
Забележки:

1-19/Предварително монтирано на хладилника и предназначено за използване при смяна на вратата

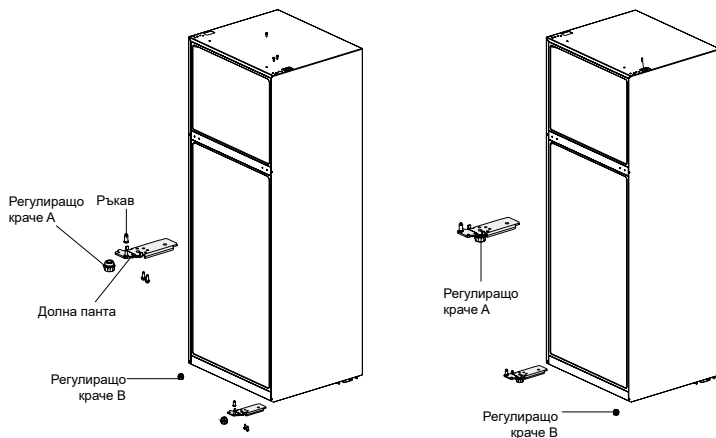
20/Лява горна панта, капаче на лява горна панта, самозаклучване на лява врата, ляво декоративно капаче

21/Предварително монтирано на хладилника, сваля се и се запазва при смяна на вратата

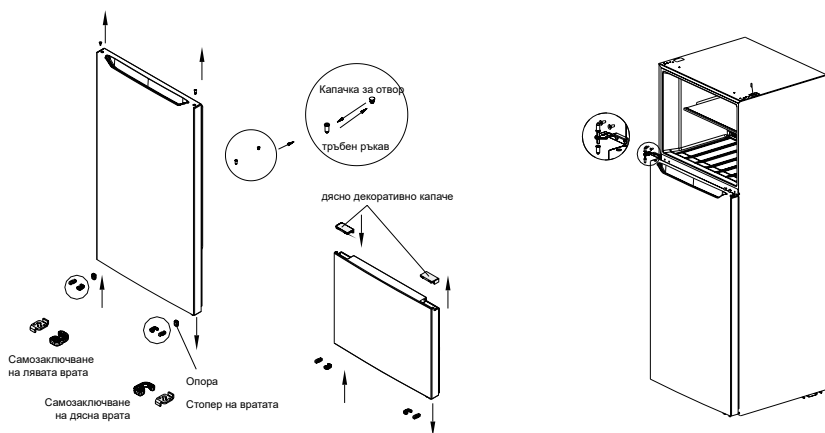
1. Изключете уреда, преди да извършите това действие.
2. Свалете капачето на пантата и винта от горната дясна страна, а също и горната панта и капачето на отвора от лявата страна.



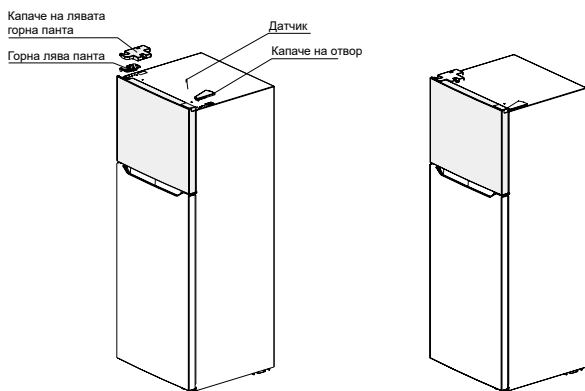
3. Развийте винта на пантата, свалете средната панта и горния ръкав на оста, разделете двете капачета на пантата (с плъзгащи щифтове) на средната панта и извадете корпуса на вратата от хладилната камера нагоре.
4. Монтирайте оста на пантата и ръкава на оста към левия отвор на долната панта, след което монтирайте долната панта към левия ъгъл на хладилника. После регулирайте краче А съгласно показаната на фигурата позиция. Накрая регулирайте краче В към десния ъгъл на хладилника.



5. Разглобете стопера на вратата на двата корпуса на вратата, както и винтовете на самозаклучването на дясната врата, след това извадете самозаклучването на лявата врата от торбичката с принадлежности и го монтирайте в левия ъгъл на корпуса на вратата заедно със стопера на вратата. Извадете блока на долната опора от корпуса на вратата на хладилната камера и го поставете в долния ляв ъгъл. Накрая извадете запушалката на отвора и ръкава на оста за вратата на хладилната камера и нагласете разположението им, след което ги монтирайте върху корпуса на вратата. Извадете дясното декоративно капаче от вратата на хладилната камера, след което извадете от торбичката с принадлежности лявото декоративно капаче и го монтирайте.



6. Монтирайте вратата на хладилната камера върху долната панта, средната панта – от лявата страна на хладилника, завийте винтовете и поставете добре ръкава на оста. Монтирайте запушващия щифт от отвора на средната греда от другия край.
7. Монтирайте вратата на фризера върху средната панта, извадете от торбичката с принадлежности горната лява панта и капачето за горната лява панта, монтирайте капачето за горната лява панта и затегнете винта, монтирайте десния датчик в оригиналното капаче на левия отвор, след което фиксирайте капачето на отвора върху дясната кутия.
8. След завършване на монтажа



● ЗАБЕЛЕЖКА

Горното изображение е само за справка. Действителната конфигурация зависи от самия продукт или дистрибутора.



Крачета за нивелиране

За да се избегнат вибрации, уредът трябва да бъде нивелиран.

Ако е необходимо, регулирайте нивелиращите винтове, за да компенсирате неравности в пода.

Предната част трябва да е разположена малко по-високо от задната, за да спомогне за затварянето на вратата.

Винтовете за нивелиране могат да се завъртят лесно чрез леко накланяне на уреда.

Завийте нивелиращите винтове по посока, обратна на часовниковата стрелка,  за да повдигнете уреда, и по посока на часовниковата стрелка,  за да го спуснете.

Преместване на уреда

1. Извадете храната от уреда.
2. Извадете щепсела на захранването, вкарайте го и го фиксирайте на специалната за него кука от задната страна или в горната част на уреда.
3. Залепете с тиксо отделните части, като рафтовете и дръжката на вратата, за да предотвратите изпадане по време на преместването.
4. Уредът трябва да се премества внимателно от повече от двама души. При транспортиране на уреда на дълго разстояние го дръжте изправен.
5. След като поставите уреда, свържете захранващия щепсел към контакта и го включете.

ЗАБЕЛЕЖКА

Предпазни мерки преди работа:

Преди извършването на промени, хладилникът трябва да бъде изключен от захранването. Трябва да се вземат предпазни мерки, за да се предотвратят наранявания.

Смяна на крушката

- Всяка подмяна или ремонт на LED лампите трябва да се извършва от производителя, негов сервизен представител или лице с подобна квалификация.

ЗАБЕЛЕЖКА

MDRT489MTE съдържа светлинен източник на клас на енергийна ефективност (F).

MDRT580MTE/MDRT645MTE съдържа два източника на светлина с клас на енергийна ефективност (F).

Свързване на уреда

След като монтирате уреда, свържете захранващия щепсел към контакта.

ЗАБЕЛЕЖКА

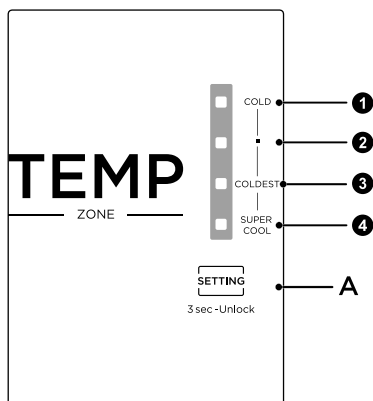
След като свържете захранващия кабел (или щепсел) към контакта, изчакайте 2 ~ 3 часа преди да поставите храна в уреда. Ако добавите храна преди пълното охлаждане на уреда, тя може да се развали.

Съвети за енергоспестяване

- Не поставяйте уреда в близост до готварски печки, радиатори или други източници на топлина. Ако околната температура е висока, компресорът ще се включва по-често и за по-дълги периоди от време, което води до повишено потребление на електроенергия.
- Осигурете да има достатъчна вентилация в основата на уреда, около неговите страни и при задната част. Никога не покривайте вентилационните отвори.
- Моля, също така спазвайте размерите на отстоянията, дадени в глава „Монтаж“.
- Показаното на илюстрацията разположение на чекмеджета, рафтове и стелажи предлага най-ефективно потребление на енергията и поради това трябва да се запази, доколкото е възможно. Всички чекмеджета и рафтове трябва да останат в уреда, за да се поддържа постоянна температура и да се спестява енергия.
- За да получите по-голямо пространство за съхранение (напр. за обемни храни), средните чекмеджета могат да се премахнат. Горните и долните чекмеджета и рафтове трябва да се изваждат последни при необходимост.
- Равномерното напълване на отделенията на хладилника/фризера допринася за оптимално използване на енергията. Поради това избягвайте да оставяте празни или полупразни отделения.
- Оставете топлата храна да се охлади, преди да я поставите в хладилника/фризера. Вече охладената храна подобрява енергийната ефективност.
- Оставете замразената храна да се размрази в хладилника. Студенината на замразената храна намалява енергийното потребление в хладилното отделение и така увеличава енергийната ефективност.
- Отваряйте вратата само за толкова дълго, колкото е необходимо, за да намалите загубата на студ. Краткото отваряне на вратата и доброто ѝ затваряне намалява потреблението на енергия.
- Уплътненията на вратата на вашия уред трябва да са напълно здрави, така че вратата да се затваря правилно и да няма излишно увеличаване на консумацията на енергия.

ИНСТРУКЦИИ ЗА РАБОТА

Панел за управление



Ключ

- Настройка 1 (COLD)
- Настройка 2 (MID)
- Настройка 3 (COLDEST)
- Настройка 4 (SUPER COOL)
- Настройка A (Бутон за настройка на температурата на хладилното отделение)

ЗАБЕЛЕЖКА

Реалният панел за управление може да се различава в различните модели.

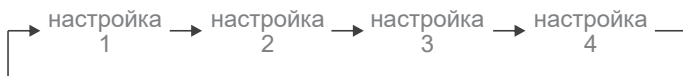
Дисплей

- Когато включите хладилника в електричество за първи път, екранът на дисплея светва изцяло за 3 секунди, а след това хладилникът започва работа според настройка 3. В случай на повреда съответните светодиоди мигат. В случай, че няма повреда, той показва настройката на температурата на хладилника.

Код на грешката	Описание на повредата
Индикатор на настройка 3 и настройка 4	Грешка в датчика за температурата на хладилната камера
Индикатор на настройка 2 и настройка 4	Грешка в датчика за размразяване на фризерната камера
Индикатор на настройка 1 и настройка 4	Грешка в сензора за околна температура

Настройка на температурата

- При всяко натискане на бутона за настройване на температурата (A), настройката на температурата се променя по веднъж. Когато настройването на температурата приключи, хладилникът ще заработи съгласно настройката след 15 секунди.
- Настройката се променя в следния ред:

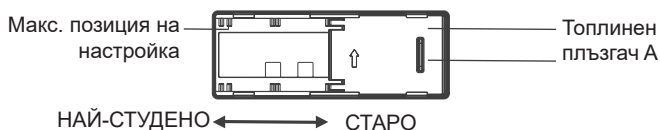


Заклучване/Отключване

- Натиснете и задръжте бутона TEMP за 3 секунди за отключване, и за 30 секунди, за да се заключва автоматично при липса на действие.

Плъзгач за регулиране на клапата

- Температурата във фризера може да се регулира чрез промяна на положението на топлинния плъзгач. Началното положение на плъзгача е в позиция А. Ако е необходима по-ниска температура във фризера, можете да регулирате плъзгача от позиция А наляво.
- За по-добрата използване на хладилника, е препоръчително да запазите плъзгача на клапата в първоначалната позиция.



Спиране на употребата

- **Спиране на тока:** При спиране на тока, дори лятото, храните в уреда могат да се запазят за няколко часа. При спиране на тока отварянето на вратата трябва да се намали и в уреда не трябва повече да се слага прясна храна.
- **Ако няма да се използва дълго време:** Уредът трябва да се изключи от контакта и да се почисти, а след това вратите да се оставят отворени, за да се избегнат миризми.

Съвети за замразяване на храни

Фризерно отделение

- Фризерът е предназначен само за съхранение на храна, която е замразена при много ниска температура, за дългосрочно съхраняване на замразена храна и за създаване на лед.
- Използвайте рафтовете на вратата на фризера само за съхранение на вече замразена храна и не поставяйте там топла храна, която трябва да се замрази.
- Не поставяйте прясна и замразена храна една до друга. Замразената храна може да се размрази.
- При замразяване на прясна храна (като месо, риба или нарязано месо), нарежете я на части, които могат да се използват наведнъж.
- Съхранение на замразена храна: обикновено на опаковките са указани инструкции, които трябва да се спазват. Ако на опаковката няма указана информация, храната не трябва да се съхранява за повече от три месеца след датата на закупуване.
- При закупуване на замразена храна се уверете, че е замразена при подходяща температура и че опаковката не е повредена.
- Замразената храна трябва да се държи в подходящи опаковки, които да запазват качеството ѝ, и трябва да се върне в отделението на фризера възможно най-скоро.
- Ако по опаковката на замразена храна има влага или е необичайно подута, е възможно храната да е била съхранявана при неподходяща температура и да е развалена.
- Времето на съхранение на замразена храна зависи от стайната температура, настройката на термостата, честотата на отваряне на вратата на фризера, типа на храната и времето за транспортиране на храната от магазина до дома. Винаги следвайте отпечатаните на опаковката инструкции и не превишавайте посоченото на нея максимално време на съхранение.

Отделение за охлаждане

- За да намалите влагата и последващото натрупване на лед, никога не поставяйте в хладилника течности в недобре затворени съдове. Ледът се образува най-напред по най-хладните части на изпарителя. Съхраняването на непокрити течности води до много по-честа необходимост от размразяване.
- Никога не поставяйте топла храна в хладилника. Тя най-напред трябва да се охлади до стайна температура и след това да се постави по такъв начин, че да осигури достатъчна въздушна циркулация в хладилника.
- Храните или съдовете с храни не трябва да докосват задната стена на хладилника, тъй като могат да залепнат към нея. Не отваряйте често вратата на хладилника.
- Месото и чистата риба (опакована в пластмасово фолио) може да се постави в хладилника и може да се използва в рамките на 1 ~ 2 дни.
- Плодовете и зеленчуците без опаковки могат да се поставят в специално отредената за свежи плодове и зеленчуци част.

ЗАБЕЛЕЖКА

Оптималната температурна настройка на всяко отделение зависи от околната температура. Дадената по-горе оптимална температура е при околна температура от 25 °C.

Ред	ТИП на отделенията	Целева температура на съхранение [°C]	Подходящи храни
1	Хладилник	+2 ~ +8	Яйца, готвена храна, пакетирана храна, плодове и зеленчуци, млечни продукти, сладкиши, напитки и други храни, които не са подходящи за замразяване.
2	(***)*-Фризер	≤-18	Морски дарове (риба, скариди, миди), сладководни рибни и месни продукти (препоръчва се съхранение за 3 месеца, като по-дългото съхраняване влошава вкусовете и хранителните качества), подходящо за замразени пресни храни.
3	***-Фризер	≤-18	Морски дарове (риба, скариди, миди), сладководни рибни и месни продукти (препоръчва се съхранение за 3 месеца, като по-дългото съхраняване влошава вкусовете и хранителните качества), подходящо за замразени пресни храни.
4	** -Фризер	≤-12	Морски дарове (риба, скариди, миди), сладководни рибни и месни продукти (препоръчва се съхранение за 3 месеца, като по-дългото съхраняване влошава вкусовете и хранителните качества), подходящо за замразени пресни храни.
5	*-Фризер	≤-6	Морски дарове (риба, скариди, миди), сладководни рибни и месни продукти (препоръчва се съхранение за 3 месеца, като по-дългото съхраняване влошава вкусовете и хранителните качества), подходящо за замразени пресни храни.
6	0-звезди	-6 ~ 0	Прясно свинско, телешко месо, риба, пиле, някои пакетирани обработени храни и др. (препоръчва се да се консумира в рамките на деня, за предпочитане след не повече от 3 дни). Частично капсулирани обработени храни (неподходящи за замразяване продукти).
7	Охлаждане	-2 ~ +3	Прясно / замразен свинско, телешко месо, пиле, сладководни продукти и др. (7 дни под 0 °C, а над 0°C се препоръчва да се консумира в рамките на деня, за предпочитане след не повече от 2 дни). Морски дарове (под 0 °C за 15 дни, не се препоръчва съхранение над 0°C).
8	Пресни храни	0 ~ +4	Прясно свинско, телешко месо, риба, пиле, готвена храна и др. (препоръчва се да се консумира в рамките на деня, за предпочитане след не повече от 3 дни)
9	Вино	+5 ~+20	Червено вино, бяло вино, пенливо вино и др.

ЗАБЕЛЕЖКА

Моля, съхранявайте различните храни в зависимост от отделенията или целевата температура за съхранение на вашите покупки.

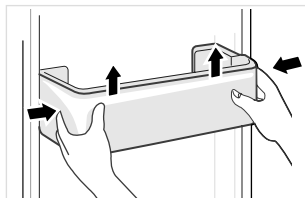
ПОЧИСТВАНЕ И ПОДДРЪЖКА

Размразяване

- Хладилникът е проектиран на принципа на въздушното охлаждане и затова има функция за автоматично размразяване. Скрежът, образуван заради смяната на сезона или промяна в температурата, може да бъде отстранен също и ръчно, като изключите уреда от захранването или като забършете със суха кърпа.

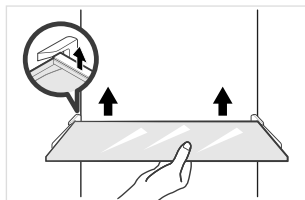
Почистване на тавата на вратата

- Според посоката на стрелката на фигурата по-долу, стиснете с две ръце тавата и я натиснете нагоре, за да я извадите.
- След като измиете извадената тава, можете да регулирате височината, на която да я поставите според вашите предпочитания.



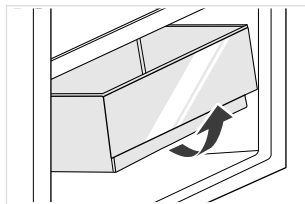
Почистване на стъкления рафт

- Тъй като на най-вътрешната част на облицовката на хладилника, където се опират рафтовете, има заден ограничител, трябва да повдигнете рафтовете нагоре, за да можете да ги извадите.
- Регулирайте и почиствайте рафтовете според вашите изисквания.



Почистване на чекмеджето за зеленчуци

1. Извадете съдържанието на чекмеджето. Хванете дръжката на чекмеджето за зеленчуци и го издърпайте докрай, докато не спре.
2. Повдигнете чекмеджето за зеленчуци и го извадете, като го издърпате навън.



ЗАБЕЛЕЖКА

За почистването се препоръчва използването на меки кърпи или гъби, потопени във вода и некорозивни неутрални миещи препарати. Накрая фризерът трябва да се почисти с чиста вода и суха кърпа. Отворете вратата, за да изсъхне естествено, преди включване на захранването. Не използвайте твърди четки, стоманени телчета, метални четки, абразиви, като паста за зъби, органични разтворители, като алкохол, ацетон, бананово масло и пр., вряла вода, киселина или алкални предмети, защото могат да увредят външната повърхност и вътрешността на хладилника.

ОТСТРАНЯВАНЕ НА НЕИЗПРАВНОСТИ

Следните прости проблеми могат да се разрешат от потребителя. Обадете се на сервизния отдел, ако проблемите не бъдат отстранени.

Проблем	Възможна причина
Неуспешна работа	<ul style="list-style-type: none">• Проверете дали уредът е свързан към захранването или щепселът е добре вкаран в контакта
	<ul style="list-style-type: none">• Проверете дали напрежението е твърде ниско.
	<ul style="list-style-type: none">• Проверете дали има прекъсване на тока или изключени частични вериги
Миризма	<ul style="list-style-type: none">• Ароматните храни трябва да бъдат опаковани плътно
	<ul style="list-style-type: none">• Проверете дали няма развалена храна
	<ul style="list-style-type: none">• Почистете вътрешността на хладилника
Продължителна работа на компресора	<ul style="list-style-type: none">• Продължителната работа на хладилника е нормална през лятото,
	<ul style="list-style-type: none">• когато околната температура е висока. Не е препоръчително да държите твърде много храна в уреда по едно и също време
	<ul style="list-style-type: none">• Храната трябва да се охлади преди да се сложи в уреда
	<ul style="list-style-type: none">• Вратите се отварят твърде често.
Лампите не светват	<ul style="list-style-type: none">• Проверете дали хладилникът е свързан към електрозахранването и дали лампата не е повредена
	<ul style="list-style-type: none">• Лампата трябва да се смени от специалист.
Вратата не може да се затвори правилно	<ul style="list-style-type: none">• Вратата не се движи заради пакети с храна, поставена е твърде много храна.
	<ul style="list-style-type: none">• Хладилникът е наклонен.
Силен шум	<ul style="list-style-type: none">• Проверете дали подът е равен и дали хладилникът е поставен правилно
	<ul style="list-style-type: none">• Проверете дали аксесоарите са поставени на правилните места

Проблем	Възможна причина
Уплътнението на вратата не е здраво	<ul style="list-style-type: none"> • Почистете уплътнението на вратата • Нагрейте уплътнението на вратата, а после го охладете, за да се възстанови (или го продухайте с електрически сешоар или използвайте гореща кърпа за загряване)
Съдът за вода прелива	<ul style="list-style-type: none"> • В камерата има твърде много храна или съхраняваната храна съдържа твърде много вода, което води до силно размразяване • Вратите не са затворени правилно, което води до заскрежаване заради влизането на въздух и повече вода заради размразяването
Горещ корпус	<ul style="list-style-type: none"> • Топлината от вградения кондензатор се разсейва чрез корпуса, което е нормално. Когато корпусът се нагрее поради висока околна температура, съхранение на твърде много храна или изключване на компресора, осигурете добра вентилация за улесняване на разсейването на топлината
Кондензация по повърхността	<ul style="list-style-type: none"> • Кондензацията по външната повърхност и уплътненията на вратите на хладилника е нещо нормално, когато влажността на околната среда е твърде висока. Просто избършете кондензата с чиста кърпа.

ДОПЪЛНЕНИЕ

Специално за новия европейски стандарт

Поръчаните в долната таблица части могат да се получат от канала на доставчика на услуги

Поръчана част	Предоставена от	Минимално време, необходимо за предоставяне
Термостати	Професионален обслужващ персонал	Поне 7 години след пускането на пазара на последния модел
Температурни сензори	Професионален обслужващ персонал	Поне 7 години след пускането на пазара на последния модел
Печатни платки	Професионален обслужващ персонал	Поне 7 години след пускането на пазара на последния модел
Източници на светлина	Професионален обслужващ персонал	Поне 7 години след пускането на пазара на последния модел
Дръжки за вратите	Професионални сервизни техници и крайни потребители	Поне 7 години след пускането на пазара на последния модел
Панти за вратите	Професионални сервизни техници и крайни потребители	Поне 7 години след пускането на пазара на последния модел
Тави	Професионални сервизни техници и крайни потребители	Поне 7 години след пускането на пазара на последния модел
Кошници	Професионални сервизни техници и крайни потребители	Поне 7 години след пускането на пазара на последния модел
Уплътнения за вратите	Професионални сервизни техници и крайни потребители	Поне 10 години след пускането на пазара на последния модел

Уважаеми клиенти,

1. Ако искате да върнете или замените продукта, моля, свържете се с магазина, от който сте го купили.

(Не забравяйте да донесете фактурата за покупката)

2. Ако вашият продукт се повреди и трябва да се поправи, моля, свържете се с представител, предлагащ следпродажбено обслужване.

ЗАБЕЛЕЖКА

Информацията за модела в продуктовата база данни, както и идентификаторът на модела, могат да бъдат получени на уеб връзката, сканирана чрез QR кода (ако е наличен) на етикета за енергийна ефективност на продукта.

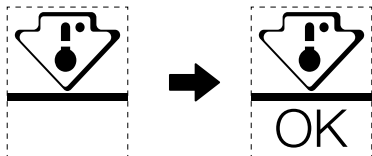
За повече информация относно енергийната ефективност на уреда вижте <https://ec.europa.eu> и потърсете името на модела.

Името на модела може да се открие на етикета с характеристики на уреда.

Най-студена зона на хладилника

ОПЦИОНАЛНО: Индикатор за добра температура

- Индикаторът за добра температура може да се използва за определяне на температури под +4°C. Постепенно намалете температурата, ако знакът не показва „OK“.



- За да осигурите правилната температура в тази зона, не променяйте разположението на този рафт. При хладилниците с принудителен въздух (моделите, снабдени с вентилатор или обезскрежаване) няма символ за най-студена зона, тъй като температурата в тях е равномерно разпределена.

Настройка на температурния индикатор

- С цел по-добра настройка на вашия хладилник, той е снабден с температурен индикатор, който следи средната температура в най-студената зона.
- ПРЕДУПРЕЖДЕНИЕ:** Този индикатор е предназначен да работи единствено с вашия хладилник. Не го използвайте за друг хладилник (където най-студената зона е различна) или по какъвто и да е друг начин.

Проверка на температурата в най-студената зона

- С помощта на температурния индикатор можете редовно да проверявате дали температурата в най-студената зона е правилна. Температурата във вътрешността на хладилника в действителност зависи от няколко фактора, сред които са околната температура в помещението, количеството съхранявана храна и честотата на отваряне на вратата. Вземете предвид тези фактори, когато настройвате уреда.
- Когато индикаторът показва „OK“, това означава, че термостатът е настроен подходящо и вътрешната температура е правилна.
- Ако цветът на температурния индикатор стане БЯЛ, това означава, че температурата е твърде висока. В такъв случай увеличете настройката за температурата на хладилника и изчакайте 12 часа, преди да проверите индикатора отново. Възможно е индикаторът да стане БЯЛ известно време след добавяне на нова храна или след като вратата била оставена отворена.

PADĖKOS LAIŠKAS

Dėkojame, kad pasirinkote „Midea“! Prieš naudodamiesi naujuoju „Midea“ gaminiu, atidžiai perskaitykite šį vadovą ir įsitikinkite, kad žinote, kaip saugiai naudotis naujojo prietaiso savybėmis ir funkcijomis.

TURINYS

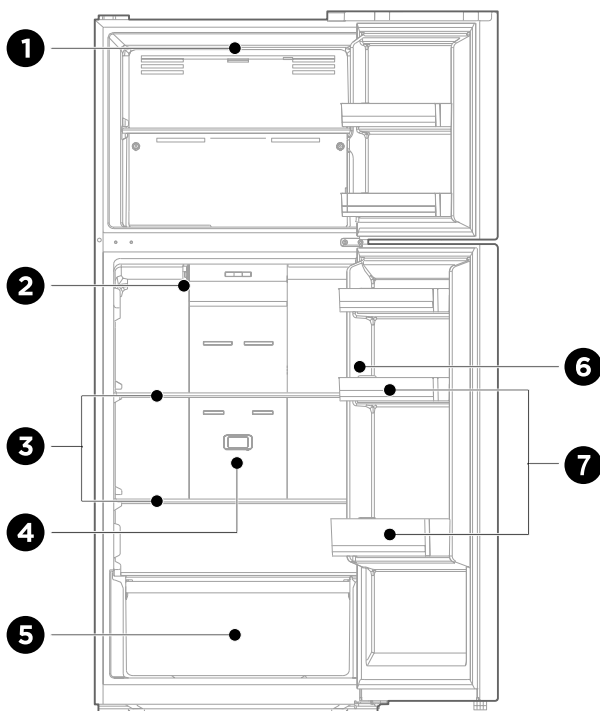
PADĖKOS LAIŠKAS	01
SPECIFIKACIJOS	02
GAMINIO APŽVALGA	03
GAMINIO MONTAVIMAS	04
NAUDOJIMO INSTRUKCIJOS	11
VALYMAS IR PRIEŽIŪRA	15
TRIKČIŲ ŠALINIMAS	16
PRIEDAS	18

SPECIFIKACIJOS

Gaminio modelis	MDRT489MTE
Vardinė įtampa / dažnis	220–240 V~ / 50 Hz
Vardinė srovė	0,7 A
Bendroji talpa	338 L
Šviežių maisto produktų laikymo skyriaus talpa	254 L
Keturių žvaigždučių skyriaus talpa	84 L
Šaldymo geba	3,9 kg / 24 val.
Temperatūros didėjimo laikas	10 h
Bendrieji matmenys (P x G x A)	595 x 695 x 1724 mm
Gaminio modelis	MDRT580MTE
Vardinė įtampa / dažnis	220–240 V~ / 50 Hz
Vardinė srovė	1,5 A
Bendroji talpa	413 L
Šviežių maisto produktų laikymo skyriaus talpa	306 L
Keturių žvaigždučių skyriaus talpa	107 L
Šaldymo geba	5 kg/24 val.
Temperatūros didėjimo laikas	10 h
Bendrieji matmenys (P x G x A)	700 x 670 x 1723 mm
Gaminio modelis	MDRT645MTE
Vardinė įtampa / dažnis	220–240 V~ / 50 Hz
Vardinė srovė	1,2 A
Bendroji talpa	463 L
Šviežių maisto produktų laikymo skyriaus talpa	356 L
Keturių žvaigždučių skyriaus talpa	107 L
Šaldymo geba	5 kg/24 val.
Temperatūros didėjimo laikas	10 h
Bendrieji matmenys (P x G x A)	700 x 691 x 1880 mm

GAMINIO APŽVALGA

Sudedamųjų dalių pavadinimai



1 LED lemputė

2 Sklendės reguliavimo slankiklis

3 Lentyna

4 Deoderizatorius

5 Vaisių ir daržovių dėžė

6 Temperatūros reguliavimas

7 Durelių dėklas

⚠ DĖMESIO

Pirmiau pateiktas paveikslėlis yra tik informacinis. Faktinė konfigūracija priklausys nuo konkretaus gaminio arba jo pardavimo atstovo pareiškimo.

LT

GAMINIO MONTAVIMAS

Montavimo instrukcijos

Šaldymo prietaisams su klimato klase

- Priklausomai nuo klimato klasės, šis šaldymo prietaisas skirtas naudoti aplinkos temperatūrų diapazone, nurodytame šioje lentelėje.
- Klimato klasė nurodyta produkto duomenų lentelėje. Gaminys gali tinkamai neveikti, jei temperatūra yra už nurodyto diapazono ribų.
- Klimato klasę galite rasti gaminio etiketėje.

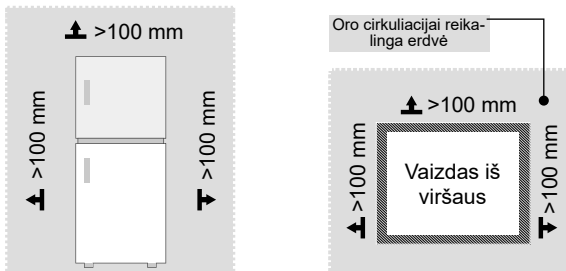
Efektyvus temperatūros diapazonas

- Gaminys suprojektuotas taip, kad normaliai veiktų temperatūros diapazone, kurį nurodo jo klasės reitingas.

Klasė	Simbolis	Aplinkos temperatūros diapazonas, °C	
		IEC 62552 (ISO 15502)	ISO 8561
Išplėstas vidutinis	SN	Nuo +10 iki +32	Nuo +10 iki +32
Vidutinis	N	Nuo +16 iki +32	Nuo +16 iki +32
Subtropinis	ST	Nuo +16 iki +38	Nuo +18 iki +38
Tropinis	T	Nuo +16 iki +43	Nuo +18 iki +43

Matmenys ir atstumai

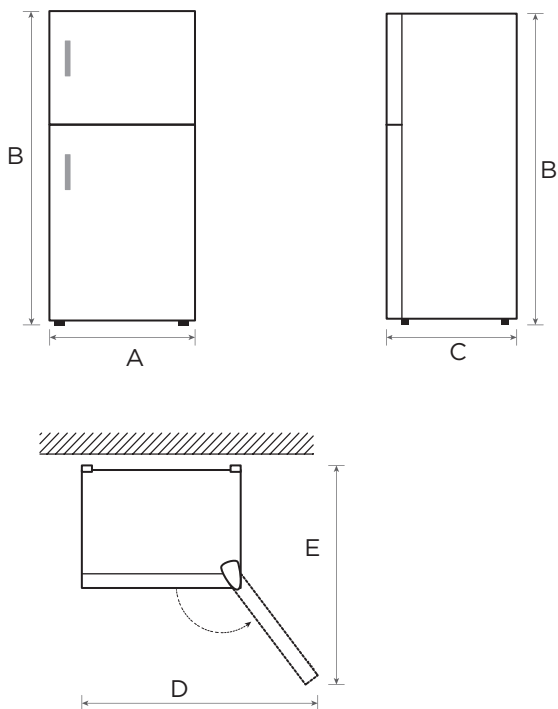
- Dėl per mažo atstumo nuo gretimų objektų gali pablogėti užšaldymo galimybės ir padidėti elektros energijos sąnaudos. Montuodami prietaisą palikite daugiau kaip 100 mm atstumą nuo kiekvienos gretimos sienos.



⚠ DĖMESIO

Pirmiau pateiktas paveikslėlis yra tik informacinis. Faktinė konfigūracija priklausys nuo konkretaus gaminio arba jo pardavimo atstovo pareiškimo.

Erdvės poreikio diagrama (kai durys atidarytos ir kai durys uždarytos)



Gaminio modelis	Plotis	Bendras aukštis	Gylis	Plotis – durų atidarymo kampas 135°	Gylis – durų atidarymo kampas 135°
	A	B	C	D	E
MDRT489MTE	595	1724	695	997	1137


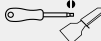
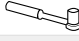

Gaminio modelis	Plotis	Bendras aukštis	Gylis	Plotis – durų atidarymo kampas 125°	Gylis – durų atidarymo kampas 125°
	A	B	C	D	E
MDRT580MTE	700	1723	670	1085	1252
MDRT645MTE	700	1880	691	1085	1252

Pastaba: Visi matmenys pateikti mm

LT

Durų atidarymo krypties keitimas iš dešinės į kairę

Įrankių, kuriais naudotojas turi pasirūpinti, sąrašas

	Šešiakampis veržliaraktis - kryžminis atsuktuvais
	Glaistymo peilis Atsuktuvais plonais ašmenimis
	5/16'' lizdinis veržliaraktis
	Maskavimo juosta

Dalys, kurių reikia durelių apskimui

SN	Dalys	Kiekis
1	Viršutinis dešinysis vyris	1
2	Dešiniojo viršutinio vyro gaubtelis	1
3	Viršutinio vyro ašies įvorė	1
4	Viršutinio vyro varžtas	3
5	Angos dangtelis	1
6	Vidurinio vyro varžtas	2
7	Vidurinis vyris	1
8	Angos kištukas	2
9	Vidurinės sijos varžtas	1
10	Vidurinės sijos varžto gaubtelis	1
11	Reguliuojama kojėlė	1
12	Apatinio vyro varžtas	3
13	Apatinio vyro mazgas	1
14	Šaldiklio durų apatinio galinio gaubtelio varžtas	1
15	Apatinis galinis gaubtelis, ribojantis šaldiklio duris	1
16	Šaldytuvo durų apatinio galinio gaubtelio varžtas	1
17	Apatinis galinis gaubtelis, ribojantis šaldytuvo duris	1
18	Šaldytuvo durų viršutinio galinio gaubtelio ašies įvorė	1
19	Apatinė šaldytuvo durų atrama	1
20	Priedų paketas	4
21	Dešinės pusės durų savaiminis užsiblokavimas	1

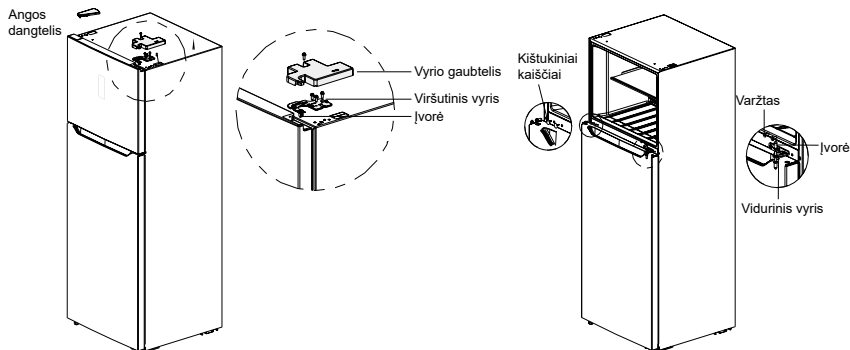
Pastabos:

1-19/Iš anksto įrengtas šaldytuve ir naudojamas keičiant duris

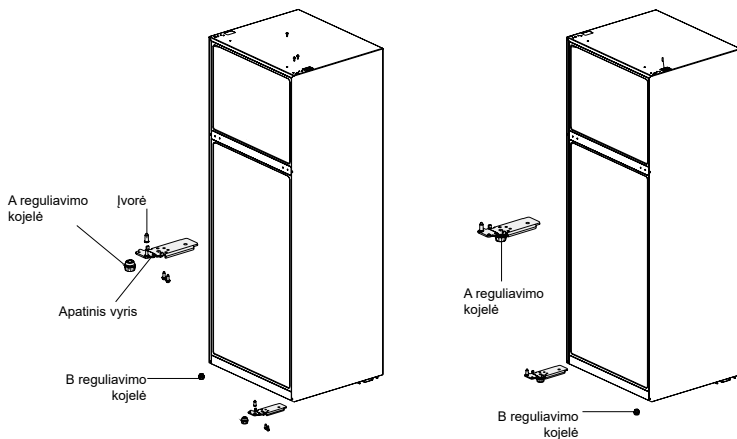
20/Kairysis viršutinis vyris, kairysis viršutinis vyro gaubtelis, kairiųjų durų savaiminis užsiblokavimas, kairysis dekoratyvinis gaubtelis

21/Iš anksto sumontuotas ant šaldytuvo, nuimamas ir paliekamas keičiant duris

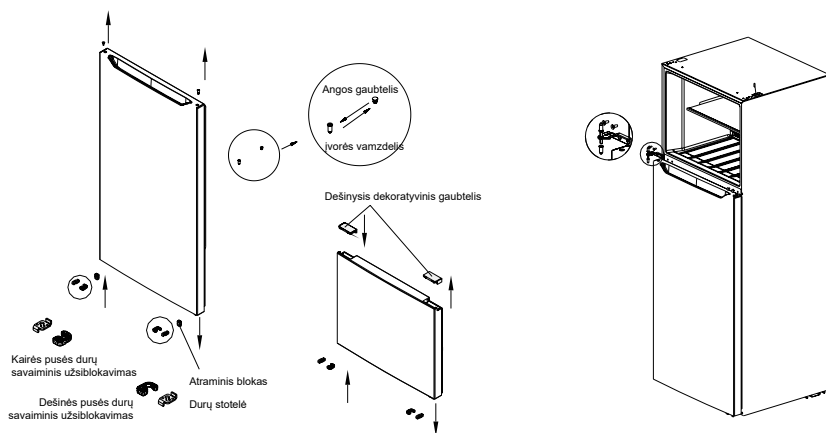
1. Prieš atlikdami šią operaciją, išjunkite prietaisą.
2. Nuimkite virių gaubtelį ir varžtą viršutinėje dešinėje dėžės pusėje, taip pat viršutinį vyrį ir angos gaubtelį kairėje pusėje.



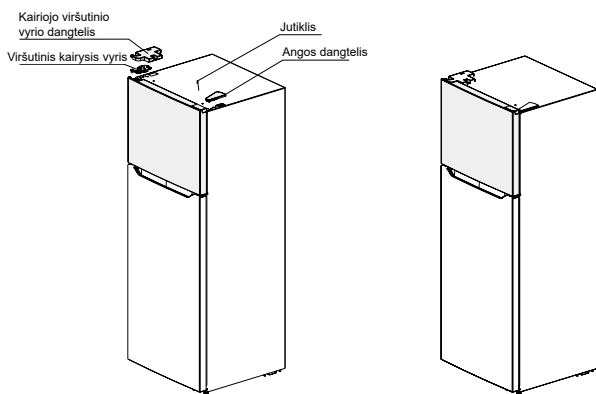
3. Atsukite virių varžtą, nuimkite vidurinį vyrį ir viršutinę veleno įvorę, nuimkite du vidurinio vyro angų gaubtelius (kištukinius kaiščius) ir išimkite šaldytuvo kameros durų korpusą į viršų.
4. Į kairę apatinio vyro angą įstatykite vyro veleną ir veleno įvorę, tada apatinį vyrį į kairįjį šaldytuvo kampa, po to A reguliavimo kojelę pagal paveikslėlyje parodytą padėtį ir galiausiai B reguliavimo kojelę į dešinįjį apatinį šaldytuvo kampa.



5. Išmontuokite abiejų durų korpusų durų ribotuvą ir dešiniųjų durų savaiminio užsiblokavimo varžtus, tada iš priedų maišelio išimkite kairiųjų durų savaiminį užsiblokavimą ir įstatykite jį į kairįjį durų korpuso kampa kartu su durų ribotuvu; išimkite šaldymo kameros durų korpuso apatinį atraminį bloką ir įstatykite jį į apatinį kairįjį kampa. Pabaigoje ištraukite šaldymo kameros durų angos kamštį ir veleno įvorę, sureguliuokite jų padėtį ir įstatykite juos į durų korpusą. Išimkite šaldymo kameros durelių dešinįjį dekoratyvinį gaubtelį, iš priedų maišelio išimkite kairįjį dekoratyvinį gaubtelį ir jį įstatykite į kamerą. Iš priedų maišelio išimkite kairįjį dekoratyvinį gaubtelį ir jį įstatykite.



6. Įstatykite šaldytuvo kameros duris ant apatinio vyro, vidurinį vyrį kairėje šaldytuvo pusėje, priveržkite varžtus ir gerai įstatykite veleno įvorę. Įstatykite kištukinį kaištį į vidurinės sijos aną kitame gale.
7. Sumontuokite šaldiklio duris ant vidurinio vyro, iš priedų maišelio išimkite kairįjį viršutinį vyrį ir kairiojo viršutinio vyro gaubtelį, sumontuokite kairįjį vyrį ir priveržkite varžtus, sumontuokite kairiojo viršutinio vyro gaubtelį ir priveržkite varžtą, sumontuokite dešinįjį jutiklį į originalųjį kairįjį angos gaubtelį, tada pritvirtinkite angos gaubtelį prie dešinėsios dėžutės.
8. Baigus diegimą.



LT

DĖMESIO

Pirmiau pateiktas paveikslėlis yra tik informacinis. Faktinė konfigūracija priklausys nuo konkretaus gaminio arba jo pardavimo atstovo pareiškimo.



Išlyginančios kojelės

Kad išvengtumėte vibracijos, prietaisas turi būti suniveliuotas.

Jei reikia, sureguliuokite niveliavimo varžtus, kad būtų kompensuoti grindų nelygumai.

Priekinė dalis turėtų būti šiek tiek aukščiau nei galinė, kad būtų lengviau uždaryti duris.

Niveliavimo varžtus galima lengvai pasukti šiek tiek pakreipus spintelę.

Pasukite niveliavimo varžtus prieš laikrodžio rodyklę , kad pakeltumėte įrenginį, o pagal laikrodžio rodyklę  – kad nuleistumėte.

Prietaiso perkėlimas

1. Iš prietaiso išimkite visus maisto produktus.
2. Ištraukite maitinimo kištuką, įkiškite jį ir pritvirtinkite prie maitinimo kištuko kabliuko, esančio prietaiso gale arba viršuje.
3. Tokias dalis, kaip lentynos ir durelių rankena, apkljuokite lipnia juosta, kad judant prietaisui jos nenukristų.
4. Prietaisą atsargiai turi perkelti daugiau nei du žmonės. Jei prietaisą reikia perkelti dideliu atstumu, laikykite jį vertikaloje padėtyje.
5. Sumontavę prietaisą, įjunkite maitinimo kištuką į kištukinį lizdą ir įjunkite prietaisą.

DĖMESIO

Atsargumo priemonės prieš operaciją:

Prieš atliekant pakeitimus, šaldytuvas turi būti atjungtas nuo elektros tinklo. reikia imtis atsargumo priemonių, kad būtų išvengta sužalojimų.

Lempučių keitimas

- Bet kokį šviesos diodų lempučių pakeitimą arba techninę priežiūrą turi atlikti gamintojas, jo techninės priežiūros agentas arba panašus kvalifikuotas asmuo.

DĖMESIO

MDRT489MTE yra šviesos šaltinis energijos vartojimo efektyvumo klasės (F).

MDRT580MTE/MDRT645MTE yra du šviesos šaltiniai, kurių energijos vartojimo efektyvumo klasė (F).

Prietaiso prijungimas

Sumontavę prietaisą, įjunkite maitinimo kištuką į kištukinį lizdą.

DĖMESIO

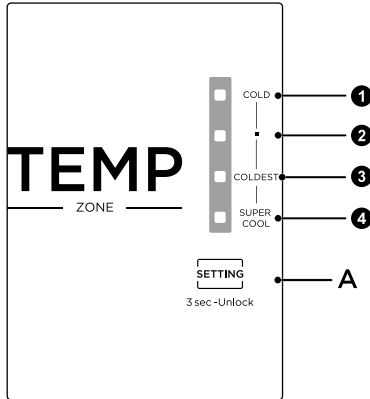
Prijungę maitinimo laidą (arba kištuką) prie elektros lizdo, palaukite 2 ar 3 valandas ir tik tada dėkite maistą į prietaisą. Jei įdėsite maisto produktų, kol prietaisas visiškai neatvėso, maistas gali sugesti.

Energijos taupymo patarimai

- Nestatykite prietaiso šalia viryklių, radiatorių ar kitų šilumos šaltinių. Jei aplinkos temperatūra aukšta, kompresorius veikia dažniau ir ilgiau, todėl sunaudojama daugiau energijos.
- Užtikrinkite, kad prietaiso apačioje, prietaiso šonuose ir prietaiso gale būtų pakankama ventilacija. Niekada neuždenkite ventilacijos angų.
- Taip pat laikykitės skyriuje „Montavimas“ pateiktų atstumų matmenų.
- Iliustracijoje parodytas stalčių, lentynų ir stelažų išdėstymas užtikrina efektyviausią energijos naudojimą, todėl turėtų būti kiek įmanoma išlaikytas. Visi stalčiai ir lentynos turėtų likti prietaise, kad temperatūra išliktų stabili ir būtų taupoma energija.
- Norint gauti didesnę sandėliavimo erdvę (pvz., dideliems šaldytiems ir (arba) užšaldytiems produktams), vidurinius stalčius galima išimti. Jei reikia, viršutinius ir apatinius stalčius bei lentynas reikia išimti paskiausiai.
- Tolygiai užpildytas šaldytuvo ir (arba) šaldiklio skyrius padeda optimaliai naudoti energiją. Todėl venkite tuščių arba pusiau tuščių skyrių.
- Prieš dėdami šiltą maistą į šaldytuvą / šaldiklį leiskite jam atvėsti. Jau atvėsęs maistas padidina energijos vartojimo efektyvumą.
- Leiskite šaldytuve užšaldytiems maisto produktams atitirpti. Dėl šaldytų maisto produktų šalčio šaldytuvo skyriuje sunaudojama mažiau energijos, todėl padidėja energijos vartojimo efektyvumas.
- Dureles atidarykite tik trumpam, kad sumažintumėte šalčio nuostolius. Trumpam atidarę duris ir tinkamai jas uždarę sumažinsite energijos suvartojimą.
- Jūsų prietaiso durelių sandarikliai turi būti visiškai nepažeisti, kad durelės tinkamai užsidarytų ir be reikalo nedidėtų energijos sąnaudos.

NAUDOJIMO INSTRUKCIJOS

Valdymo skydelis



Raktas

- 1 nustatymas (COLD)
- 2 nustatymas (MID)
- 3 nustatymas (COLDEST)
- 4 nustatymas (SUPER COOL)
- A nustatymas (Šaldytuvo skyriaus temperatūros nustatymo mygtukas)

⚠ DĖMESIO

Faktinis valdymo skydelis gali skirtis priklausomai nuo modelio.

Ekranas

- pirmą kartą prijungus šaldytuvą prie elektros, ekranas šviečia 3 sekundes, o tada šaldytuvas ima veikti pagal 3 nustatymą. Įvykus gedimui, mirksi atitinkamas LED. Jei gedimų nėra, jis rodo šaldytuvo temperatūros nustatymą.

LT

Gedimo kodas	Trikčių aprašymas
3 indikatoriaus nustatymas ir 4 nustatymas	Šaldytuvo skyriaus temperatūros jutiklio gedimas
2 indikatoriaus nustatymas ir 4 nustatymas	Šaldymo kameros atšildymo jutiklio gedimas
1 indikatoriaus nustatymas ir 4 nustatymas	Aplinkos temperatūros jutiklio gedimas

Temperatūros nustatymas

- Kaskart vieną kartą paspaudus temperatūros nustatymo mygtuką (A), temperatūros nustatymas pasikeičia. Baigus nustatyti temperatūrą, po 15 sekundžių šaldytuvas pradės veikti pagal atliktą nustatymą.
- Nustatymai keičiami tokia tvarka:

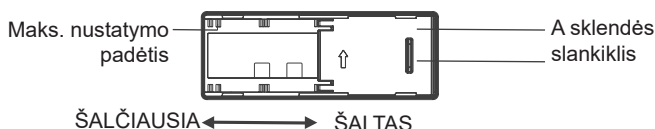


Užrakinimas / atrakinimas

- Ilgai laikykite paspaudę TEMP mygtuką 3 sekundes, kad atraktumėte, ir 30 sekundžių, kad automatiškai užrakintų, jei neatliekamas joks veiksmas.

Sklendės reguliavimo slankiklis

- Temperatūrą šaldiklio viduje galima reguliuoti keičiant sklendės slankiklio padėtį. Pradinė sklendės slankiklio padėtis yra nustatyta A padėtyje. Jei reikia žemesnės temperatūros šaldiklio viduje, galite reguliuoti sklendės slankiklį iš A padėties į kairę pusę.
- Norint geriau naudoti šaldytuvą, rekomenduojama sklendės slankiklį laikyti pradinėje padėtyje.



Naudojimo nutraukimas

- **Maitinimo sutrikimas:** Dūtrikus elektros energijos tiekimui, net jei yra vasara, maisto produktai prietaiso viduje gali būti laikomi kelias valandas; sutrikus elektros energijos tiekimui, durelių atidarymo laikas turi būti sumažintas ir į prietaisą neturi būti dedama daugiau šviežių maisto produktų.
- **Ilgai nenaudojant:** Prietaisas turi būti išjungtas ir tada išvalomas; durys paliekamos atviros, kad būtų išvengta nemalonaus kvapo.

Patarimai, kaip laikyti maistą

Šaldiklio skyrius

- Šaldiklis skirtas labai žemoje temperatūroje užšaldytiems maisto produktams laikyti, ilgalaikiam užšaldytų maisto produktų laikymui ir ledo gamybai.
- Šaldiklio durelėse esančias lentynas naudokite tik užšaldytiems maisto produktams laikyti, o ne karštam maistui, skirtam užšaldyti, laikyti.
- Nedėkite greta šviežio ir šaldyto maisto. Užšaldytas maistas gali atšilti.
- Šaldydami šviežius maisto produktus (pvz., mėsą, žuvį ar pjaustytą mėsą), supjaustykite juos dalimis, kurias galima naudoti vienu metu.
- Šaldytų maisto produktų laikymas: paprastai ant pakuočių pateikiamos instrukcijos, kurių būtina laikytis. Jei ant pakuotės nėra informacijos, maisto produktai neturėtų būti laikomi ilgiau nei tris mėnesius nuo įsigijimo datos.
- Pirkdami šaldytą maistą įsitinkinkite, kad jis buvo užšaldytas tinkamoje temperatūroje ir kad pakuotė nepažeista.
- Užšaldytas maistas turi būti laikomas tinkamose pakuotėse, kad išliktų kokybiškas, ir kuo greičiau gražinamas į šaldiklio skyrių.
- Jei šaldyto maisto pakuotėje yra drėgmės ar neįprastų iškilimų, tikėtina, kad ji buvo laikoma netinkamoje temperatūroje ir jos turinys sugedęs.
- Užšaldytų maisto produktų laikymo trukmė priklauso nuo patalpos temperatūros, termostato nustatymų, šaldiklio durelių atidarymo dažnumo, maisto produkto rūšies ir jo gabenimo iš parduotuvės į namus laiko. Visada laikykitės ant pakuotės išspausdintų nurodymų ir neviršykite ant pakuotės nurodyto maksimalaus laikymo laiko.

Vėsinimo skyrius

- Kad sumažintumėte drėgmės ir vėliau susidariusio ledo kiekį, niekada nedėkite skysčių į šaldytuvą neuždarytose talpyklose. Šaltis dažniausiai susitelkia vėsiausiose garintuvo dalyse. Laikant neuždengtus skysčius, juos reikia dažniau atitirpinti.
- Niekada nedėkite šiltų maisto produktų į šaldytuvą. Pirmiausia jie turi būti atvėsinti kambario temperatūroje, o tada padėti į šaldytuvą taip, kad būtų užtikrinta tinkama oro cirkuliacija.
- Maisto produktai ar indai neturėtų liesti galinės šaldytuvo sienelės, nes jie gali prišalti prie sienelės. Nuolat neatidarinėkite šaldytuvo durelių.
- Mėsą ir švarią žuvį (supakuotą į pakuotę arba plastikinę plėvelę) galima įdėti į šaldytuvą, kad ją būtų galima sunaudoti per 1–2 dienas.
- Vaisius ir daržoves be pakuočių galima dėti į šviežiems vaisiams ir daržovėms skirtą dalį.

DĖMESIO

Optimalus kiekvieno skyriaus temperatūros nustatymas priklauso nuo aplinkos temperatūros. Aukštesnė nei optimali temperatūra apskaičiuota esant 25 °C aplinkos temperatūrai.

Seka	Skyriai TIPAS	Tikslinė laikymo temp. [°C]	Tinkamas maistas
1	Šaldytuvas	+2 ~ +8	Kiaušiniai, virtas maistas, supakuotas maistas, vaisiai ir daržovės, pieno produktai, pyragai, gėrimai ir kiti maisto produktai šaldymui netinka.
2	(***)*- šaldiklio	≤-18	Jūros gėrybės (žuvis, krevetės, vėžiagyviai), gėlavandeniai vandens produktai ir mėsos produktai (rekomenduojama laikyti 3 mėnesius, kuo ilgesnis laikymo laikas, tuo prastesnis skonis ir maistingumas), tinka šaldytiems šviežiams maisto produktams.
3	***-šaldiklio	≤-18	Jūros gėrybės (žuvis, krevetės, vėžiagyviai), gėlavandeniai vandens produktai ir mėsos produktai (rekomenduojama laikyti 3 mėnesius, kuo ilgesnis laikymo laikas, tuo prastesnis skonis ir maistingumas), tinka šaldytiems šviežiams maisto produktams.
4	** -šaldiklio	≤-12	Jūros gėrybės (žuvis, krevetės, vėžiagyviai), gėlavandeniai vandens produktai ir mėsos produktai (rekomenduojama laikyti 3 mėnesius, kuo ilgesnis laikymo laikas, tuo prastesnis skonis ir maistingumas), tinka šaldytiems šviežiams maisto produktams.
5	*-šaldiklio	≤-6	Jūros gėrybės (žuvis, krevetės, vėžiagyviai), gėlavandeniai vandens produktai ir mėsos produktai (rekomenduojama laikyti 3 mėnesius, kuo ilgesnis laikymo laikas, tuo prastesnis skonis ir maistingumas), tinka šaldytiems šviežiams maisto produktams.
6	0-žvaigždučių	-6 ~ 0	Šviežia kiauliena, jautiena, žuvis, vištiena, kai kurie supakuoti perdirbti maisto produktai ir t. t. (Rekomenduojama suvalgyti tą pačią dieną, pageidautina ne vėliau kaip per 3 dienas). Iš dalies hermetizuoti perdirbti maisto produktai (neužšaldomas maistas).
7	Vėsavimo	-2 ~ +3	Šviežia/šaldyta kiauliena, jautiena, vištiena, gėlavandeniai vandens produktai ir t. t. (7 dienas žemesnėje nei 0 °C temperatūroje, o aukštesnėje nei 0 °C temperatūroje rekomenduojama suvartoti per tą pačią dieną, pageidautina ne ilgiau kaip 2 dienas). Jūros gėrybės (žemesnėje nei 0 15 dienų, nerekomenduojama laikyti aukštesnėje nei 0 °C temperatūroje).
8	Šviežias maistas	0 ~ +4	Šviežia kiauliena, jautiena, žuvis, vištiena, virtas maistas ir t. t. (Rekomenduojama suvalgyti per tą pačią dieną, pageidautina ne ilgiau kaip per 3 dienas)
9	Vynas	+5 ~+20	Raudonasis vynas, baltasis vynas, putojantis vynas ir t. t.

LT

DĖMESIO

laikykite skirtingus maisto produktus, atsižvelgdami į įsigytų maisto produktų skyrius arba tikslinę laikymo temperatūrą.

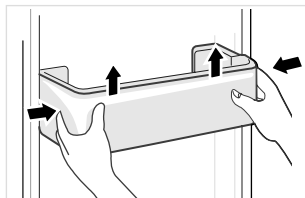
VALYMAS IR PRIEŽIŪRA

Atšildymas

- Šaldytuvas pagamintas pagal oro aušinimo principą, todėl jame įdiegta automatinio atšildymo funkcija. Šerkšną, susidariusį dėl sezoniškumo ar temperatūros pasikeitimo, taip pat galima pašalinti rankiniu būdu, atjungiant prietaisą nuo maitinimo šaltinio arba nušluostant sausu rankšluosčiu.

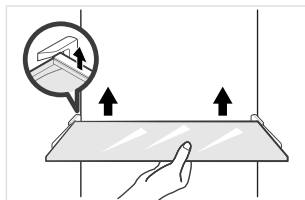
Durelių dėklo valymas

- Pagal krypties rodyklę žemiau esančiame paveikslėlyje abiem rankomis suspauskite dėklą ir pastumkite jį aukštyn, kad galėtumėte išimti.
- Išplovę dėklą, kurį išėmėte, galite nustatyti jo montavimo aukštį pagal poreikį.



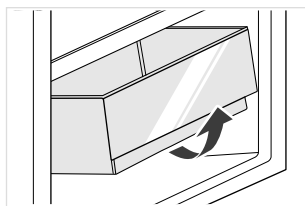
Stiklinės lentynėlės valymas

- Vidinėje šaldytuvo įdėklo dalyje lentynėlės liečiasi su stabdikliu, todėl norėdami išimti lentynėles, pakelkite jas aukštyn.
- Sureguliuokite arba išvalykite lentynėles pagal poreikį.



Daržovių stalčiaus valymas

1. Ištuštinkite stalčių. Laikykite daržovių stalčiaus rankeną ir ištraukite jį iki galo, kol jis sustos.
2. Pakelkite daržovių stalčių į viršų ir išimkite jį ištraukdami.



⦿ DĖMESIO

Valyti rekomenduojama minkštais rankšluosčiais arba kempine, sušlapinta vandeniu, ir neėsdinančiais neutraliais plovikliais. Šaldiklį galutinai nuvalykite švairiu vandeniu ir sausu skudurėliu. Prieš įjungdami maitinimą, atidarykite dureles, kad vidus natūraliai išdžiūtų. Šaldytuvui valyti nenaudokite kietų šepetėlių, plieninių rutuliukų, vielinių šepetėlių, abrazyvinių medžiagų (pvz., dantų pastos), organinių tirpiklių (pvz., alkoholio, acetonu, bananų aliejaus ir kt), verdančio vandens, rūgštinių ar šarminių elementų, kurie gali pažeisti šaldytuvo paviršius ir vidų.

TRIKČIŲ ŠALINIMAS

Toliau nurodytas paprastas problemas gali išspręsti pats naudotojas. Jei problemų išspręsti nepavyksta, skambinkite garantinio aptarnavimo skyriui.

Problema	Galima priežastis
Prietaisas neveikia	<ul style="list-style-type: none">• Patikrinkite, ar prietaisas prijungtas prie maitinimo šaltinio ir ar kištukas laikosi tvirtai
	<ul style="list-style-type: none">• Patikrinkite, ar ne per žema įtampa
Nemalonus kvapas	<ul style="list-style-type: none">• Patikrinkite, ar nėra maitinimo tiekimo sutrikimo ir ar neatsijungė grandinės dalis
	<ul style="list-style-type: none">• Nemalonus kvapas skleidžiantys maisto produktai turi būti sandariai suvynioti• Patikrinkite, ar nėra supuvusio maisto• Išvalykite šaldytuvo vidų
Ilgai veikiantis kompresorius	<ul style="list-style-type: none">• Ilgas šaldytuvo veikimas vasarą yra normalus,• kai aplinkos temperatūra yra aukšta, nerekomenduojama tuo pačiu metu prietaise laikyti per daug maisto.• Prieš įdedant maistą į prietaisą, jis turi būti atvėsintas• Durelės darinėjamos per dažnai
	<ul style="list-style-type: none">• Patikrinkite, ar šaldytuvą prijungtas prie maitinimo šaltinio ir ar nepažeista apšvietimo lemputė• Lemputę turi pakeisti specialistas
Durų nepavyksta tinkamai uždaryti	<ul style="list-style-type: none">• Durys užstrigo dėl maisto pakuočių; įdėta pernelyg daug maisto.• Šaldytuvą pakrypęs.
Didelis triukšmas	<ul style="list-style-type: none">• Patikrinkite, ar grindys lygios ir ar šaldytuvą padėtas stabiliai• Patikrinkite, ar priedai yra išdėstyti reikiamose vietose

Problema	Galima priežastis
Durelių sandariklis nesandarus	<ul style="list-style-type: none"> • Pašalinkite pašalines medžiagas nuo durelių sandariklio • Pašildykite durų sandariklį ir atvėsinkite jį, kad atkurtumėte (arba papūskite jį elektriniu džiovintuvu ar sušildykite karštu rankšluosčiu).
Perpildytas vandens indas	<ul style="list-style-type: none"> • Kameroje yra per daug maisto produktų arba laikomuose maisto produktuose yra per daug vandens, todėl įvyksta pernelyg didelis atitirpimas • Durelės nėra tinkamai uždarytos, todėl patekus orui ir padaugėjus vandens dėl atšildymo, susiformuoja šerkšnas
Karštas korpusas	<ul style="list-style-type: none"> • Įmontuoto kondensatoriaus šilumos išsklaidymas per korpusą, kuris yra normalus, kai korpusas įkaista dėl aukštos aplinkos temperatūros, per daug maisto produktų laikymo ar kompresoriaus išjungimo; užtikrinkite tinkamą garso ventilaciją, kad palengvintumėte šilumos išsklaidymą.
Paviršiaus kondensacija	<ul style="list-style-type: none"> • Kondensacija ant šaldytuvo išorinio paviršiaus ir durelių sandariklių yra normalus reiškinys, kai aplinkos drėgmė yra per didelė. Tiesiog nuvalykite kondensatą švari rankšluosčiu.

PRIEDAS

Speciali informacija pagal naują Europos standartą

Užsakytas dalis, nurodytas toliau pateiktoje lentelėje, galima įsigyti iš techninės priežiūros paslaugų teikėjo kanalų.

Užsakyta dalis	Suteikia	Minimalus reikalingas pateikimo laikas
Termostatai	Profesionalus techninės priežiūros personalas	Ne mažiau kaip 7 metai po to, kai rinkai buvo pateiktas paskutinis modelis
Temperatūros jutikliai	Profesionalus techninės priežiūros personalas	Ne mažiau kaip 7 metai po to, kai rinkai buvo pateiktas paskutinis modelis
Spausdintinės plokštės	Profesionalus techninės priežiūros personalas	Ne mažiau kaip 7 metai po to, kai rinkai buvo pateiktas paskutinis modelis
Šviesos šaltiniai	Profesionalus techninės priežiūros personalas	Ne mažiau kaip 7 metai po to, kai rinkai buvo pateiktas paskutinis modelis
Durelių rankenos	Profesionalūs remtininkai ir galutiniai naudotojai	Ne mažiau kaip 7 metai po to, kai rinkai buvo pateiktas paskutinis modelis
Durelių vyriai	Profesionalūs remtininkai ir galutiniai naudotojai	Ne mažiau kaip 7 metai po to, kai rinkai buvo pateiktas paskutinis modelis
Dėklai	Profesionalūs remtininkai ir galutiniai naudotojai	Ne mažiau kaip 7 metai po to, kai rinkai buvo pateiktas paskutinis modelis
Krepšiai	Profesionalūs remtininkai ir galutiniai naudotojai	Ne mažiau kaip 7 metai po to, kai rinkai buvo pateiktas paskutinis modelis
Durelių tarpikliai	Profesionalūs remtininkai ir galutiniai naudotojai	Ne mažiau kaip 10 metai po to, kai rinkai buvo pateiktas paskutinis modelis

Gerbiamas kliente,

1. Jei norite grąžinti arba pakeisti produktą, kreipkitės į parduotuvę, kurioje perkate. (Nepamirškite pasiimti pirkimo sąskaitos)
2. Jei jūsų produktas sugedo ir jam reikia remonto, susisieki su garantinio aptarnavimo paslaugų teikėju.

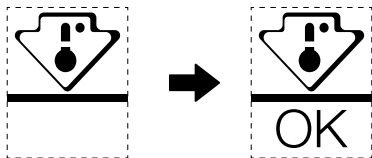
DĖMESIO

Informaciją apie modelį gaminių duomenų bazėje ir modelio identifikatorių galima gauti naudojant interneto nuorodą, nuskaitytą QR kodu, jei yra, pateiktu gaminio energijos vartojimo efektyvumo etiketėje. Norėdami gauti daugiau informacijos apie prietaiso energijos vartojimo efektyvumą, apsilankykite svetainėje <https://ec.europa.eu> ir atlikite paiešką pagal modelio pavadinimą. Modelio pavadinimą rasite prietaiso vardinėje etiketėje.

Šalčiausia šaldytuvo zona

PASIRINKTINAI: Temperatūros indikatoriumis OK

- Temperatūros indikatoriumi OK galima nustatyti žemesnę nei +4 °C temperatūrą. Palaipsniui mažinkite temperatūrą, jei ženkle nerodoma „OK“.



- Siekdami užtikrinti temperatūrą šioje srityje, nekeiskite lentynos padėties. Priverstinio oro šaldytuvuose (su ventiliatoriumi arba modeliai be šerkšno) šalčiausios zonos simbolis nerodomas, nes temperatūra viduje yra vienoda.

Temperatūros indikatoriaus nustatymas

- Kad būtų lengviau tinkamai nustatyti šaldytuvą, jame yra temperatūros indikatoriumis, kuris leidžia stebėti vidutinę temperatūrą šalčiausioje zonoje.
- ĮSPĖJIMAS. Šis indikatoriumis skirtas veikti tik su jūsų šaldytuvu. Nenaudokite jo kitame šaldytuve (iš tiesų šalčiausia zona nėra ta pati) ar bet kokiais kitais paskirčiais.

Temperatūros tikrinimas šalčiausioje zonoje

- Naudodamiesi temperatūros indikatoriumis galite reguliariai tikrinti, ar šalčiausios zonos temperatūra yra tinkama. Iš tiesų šaldytuvo vidaus temperatūra priklauso nuo kelių veiksnių, tokių kaip kambario aplinkos temperatūra, laikomo maisto kiekis ir durelių atidarymo dažnis. Parengdami įrenginį atsižvelkite į šiuos veiksnius.
- Kai indikatoriumis rodo „OK“, termostatas yra gerai sureguliuotas ir vidinė temperatūra yra tinkama.
- Jei temperatūros indikatoriumis tampa BALTAS, temperatūra yra per aukšta; tokiu atveju padidinkite šaldytuvo temperatūros reguliavimo nustatymą ir palaukite 12 valandų prieš vėl vizualiai patikrindami indikatoriumis. Įdėjus šviežią maistą arba palikus dureles atidarytas, temperatūros indikatoriumis po kurio laiko gali tapti BALTAS.

LETRA E FALËNDERIMIT

Ju faleminderit që zgjodhët Midea! Përpara përdorimit të produktit tuaj Midea, ju lutemi që ta lexoni plotësisht këtë manual, për t'u siguruar që të dini të përdorni me siguri veçoritë dhe funksionet që ofron pajisja juaj e re.

PËRMBAJTJA

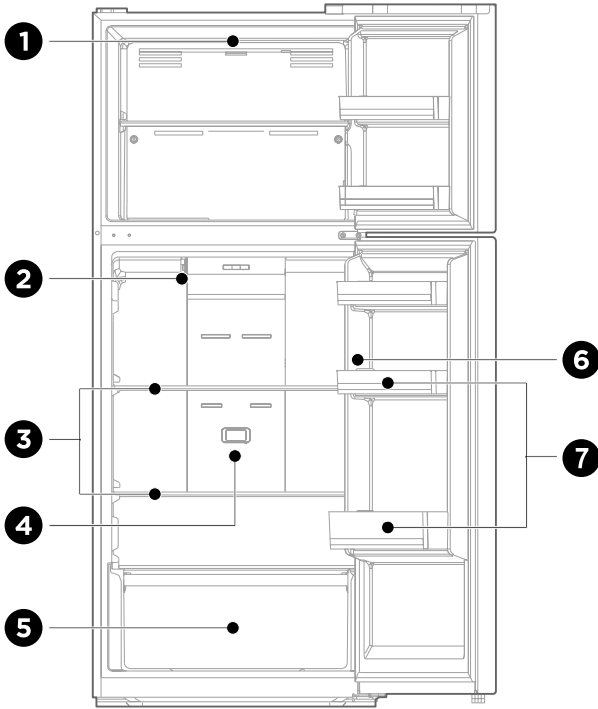
LETRA E FALËNDERIMIT	01
SPECIFIKIMET	02
PAMJE E PËRGJITHSHME E PRODUKTIT	03
INSTALIMI I PRODUKTIT	04
UDHËZIMET E PËRDORIMIT	11
PASTRIMI DHE MIRËMBAJTJA	15
ZGJIDHJA E PROBLEMEVE	16
SHTOJCË	18

SPECIFIKIMET

Modeli i produktit	MDRT489MTE
Tensioni/frekuenca e klasifikuar	220-240 V-/50 Hz
Rryma nominale	0,7 A
Vëllimi total	338 L
Vëllimi i dhomës për ruajtjen e ushqimeve të freskëta	254 L
Vëllimi i sektorit me katër yje	84 L
Kapaciteti i ngrirjes	3,9 kg/24 orë
Koha e rritjes së temperaturës	10 orë
Përmasat e përgjithshme (Gje x The x La)	595 x 695 x 1724 mm
Modeli i produktit	MDRT580MTE
Tensioni/frekuenca e klasifikuar	220-240 V-/50 Hz
Rryma nominale	1,5 A
Vëllimi total	413 L
Vëllimi i dhomës për ruajtjen e ushqimeve të freskëta	306 L
Vëllimi i sektorit me katër yje	107 L
Kapaciteti i ngrirjes	5 kg/24 orë
Koha e rritjes së temperaturës	10 orë
Përmasat e përgjithshme (Gje x The x La)	700 x 670 x 1723 mm
Modeli i produktit	MDRT645MTE
Tensioni/frekuenca e klasifikuar	220-240 V-/50 Hz
Rryma nominale	1,2 A
Vëllimi total	463 L
Vëllimi i dhomës për ruajtjen e ushqimeve të freskëta	356 L
Vëllimi i sektorit me katër yje	107 L
Kapaciteti i ngrirjes	5 kg/24 orë
Koha e rritjes së temperaturës	10 orë
Përmasat e përgjithshme (Gje x The x La)	700 x 691 x 1880 mm

PAMJE E PËRGJITHSHME E PRODUKTIT

Emrat e përbërësve



- | | | | |
|---|------------------------------------|---|------------------------------|
| 1 | Drita LED | 5 | Kutia e frutave dhe perimeve |
| 2 | Shina e rregullimit të qarkullimit | 6 | Kontrolli i temperaturës |
| 3 | Raft | 7 | Tabakaja e derës |
| 4 | Deodorizues | | |

● MBANI PARASYSH

Figura e mësipërme është vetëm për referencë. Konfigurimi aktual do të varet nga produkti fizik ose deklarata e distributorit.

INSTALIMI I PRODUKTIT

Udhëzimet e instalimit

Për pajisjet ftohëse me kategori klimaterike

- Në varësi të kategorisë së klimës, kjo pajisje frigoriferike synohet që të përdoret në diapazonet e temperaturës së ambientit, si në tabelën e specifikuar më poshtë.
- Kategoria klimaterike mund të gjendet në etiketën e të dhënave. Produkti mund të mos punojë mirë në temperatura jashtë diapazonit specifik.
- Kategorinë klimatike mund ta gjeni në etiketën e produktit.

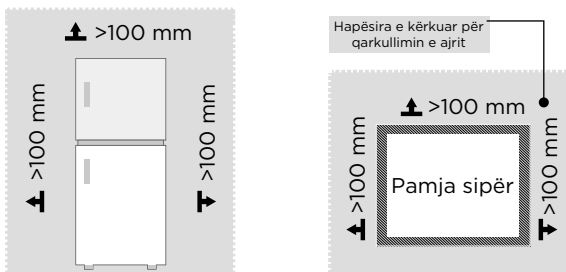
Rrezja e temperaturës së efektshme

- Produkti bërë që të punojë normalisht në gamën e temperaturave të specifikuar në klasifikim.

Kategoria	Simboli	Diapazoni i temperaturës së ambientit në °C	
		IEC 62552 (ISO 15502)	ISO 8561
Temperaturë mesatare e zgjeruar	SN	+ 10 deri në + 32	+ 10 deri në + 32
Temperaturë mesatare	N	+ 16 deri në + 32	+ 16 deri në + 32
Nëntropikale	ST	+ 16 deri në + 38	+ 18 deri në + 38
Tropikale	T	+ 16 deri në + 43	+ 18 deri në + 43

Përmasat dhe hapësirat

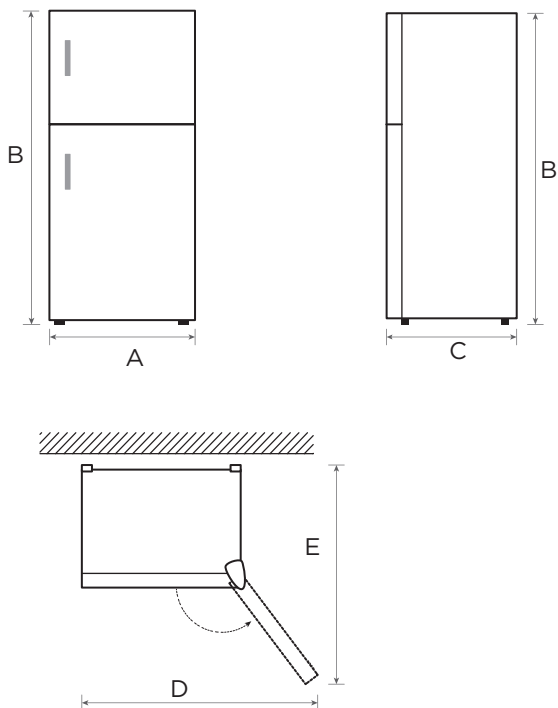
- Distanca shumë e vogël nga sendet e afërta mund të rezultojë në përkeqësim të aftësisë ngrirëse dhe në rritje të kostove të energjisë elektrike. Lejoni më shumë se 100 mm hapësirë nga çdo mur në afërsi kur të instaloni pajisjen.



MBANI PARASYSH

Figura e mësipërme është vetëm për referencë. Konfigurimi aktual do të varet nga produkti fizik ose deklarata e distributorit.

Diagrami i kërkesës së hapësirës (kur dera është e hapur dhe kur dera është e mbyllur)




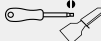
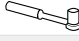

Modeli i produktit	Gjerësia	Lartësia e përgjithshme	Thellësia	Gjerësia me dyer të hapura 135°	Thellësia me dyer të hapura 135°
	A	B	C	D	E
MDRT489MTE	595	1724	695	997	1137
Modeli i produktit	Gjerësia	Lartësia e përgjithshme	Thellësia	Gjerësia me dyer të hapura 125°	Thellësia me dyer të hapura 125°
	A	B	C	D	E
MDRT580MTE	700	1723	670	1085	1252
MDRT645MTE	700	1880	691	1085	1252

Njoftim: Të gjitha përmasat në mm

AL

Ndryshimi i derës djathtas-majtas

Lista e veglave që duhet të ketë përdoruesi

	Çelës Allen-Kaçavidë kryq
	Shpatull, kaçavidë minus
	Çelës me fole 5/16"
	Shirit maskues

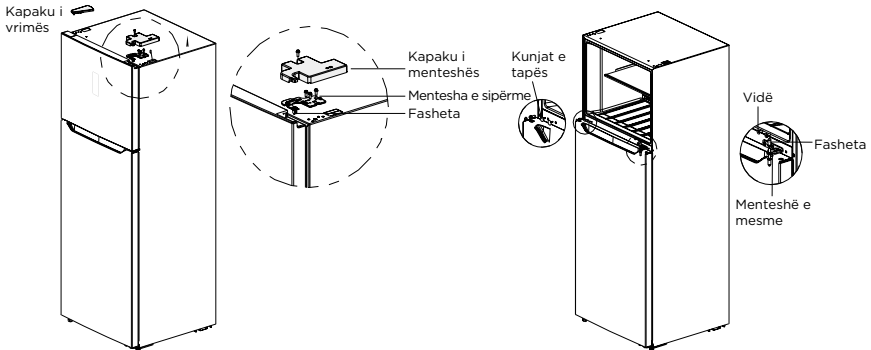
Pjesët për t'u përdorur për kthimin e derës

SN	Pjesët	Sasia
1	Mentesha e sipërme e djathtë	1
2	Kapaku i menteshës së sipërme djathtas	1
3	Fasheta e aksit të menteshës së sipërme	1
4	Vida e menteshës së sipërme	3
5	Kapaku i vrimës	1
6	Vida e menteshës së mesit	2
7	Menteshë e mesme	1
8	Tapa e vrimës	2
9	Vida e shufrës së mesit	1
10	Kapaku i vidës së shufrës së mesit	1
11	Këmba e rregullueshme	1
12	Vida e menteshës së poshtme	3
13	Mentesha e poshtme	1
14	Vida e kapakut të skajit të poshtëm të derës së ngrirësit	1
15	Bloku kufizues i kapakut të skajit të poshtëm të derës së ngrirësit	1
16	Vida e kapakut të skajit të poshtëm të derës së frigoriferit	1
17	Bloku kufizues i kapakut të skajit të poshtëm të derës së frigoriferit	1
18	Fasheta e aksit të kapakut të skajit të sipërm të derës së frigoriferit	1
19	Mbajtësja e poshtme e derës së frigoriferit	1
20	Paketa e aksesorëve	4
21	Vetëbllokimi i derës së djathtë	1

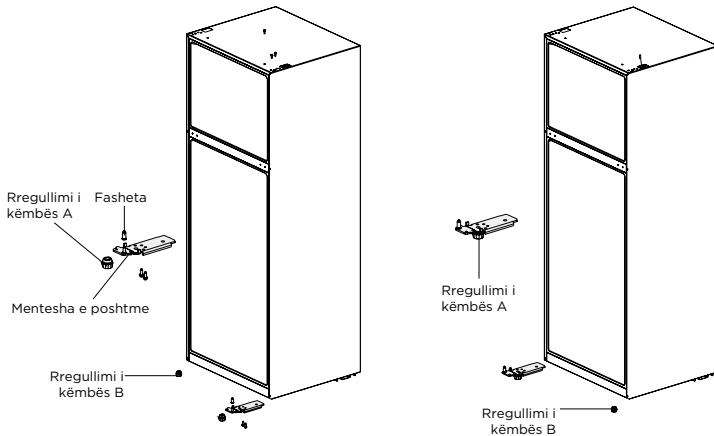
Shënime:

- 1-19/Instaluar paraprakisht në frigorifer dhe për t'u përdorur kur të ndryshohet dera
 20/Mentesha e sipërme majtas, kapaku i menteshës së sipërme majtas, vetëbllokimi i derës së majtë, kapaku dekorativ majtas
 21/Instaluar paraprakisht në frigorifer, hiqeni dhe mbajeni kur të ndryshohet dera

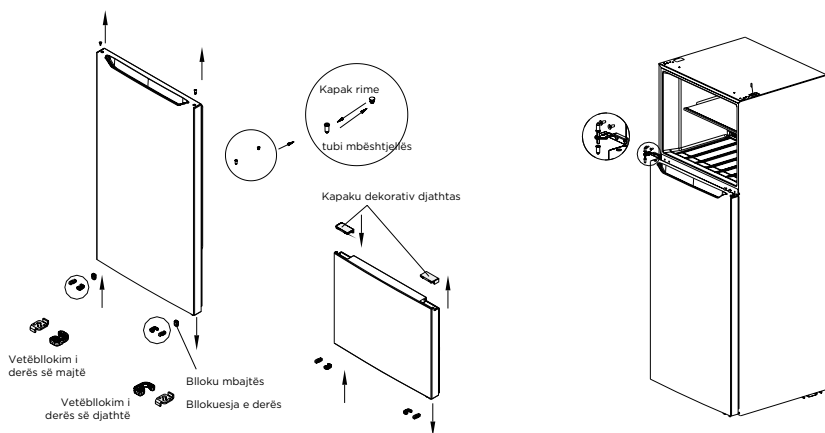
- Ju lutemi fikeni pajisjen para se të kryeni këtë veprim.
- Hiqni kapakun e menteshës dhe vidën në anën e djathtë lart të kutisë, si dhe menteshën e sipërme dhe kapakun e vrimës në anën e majtë.



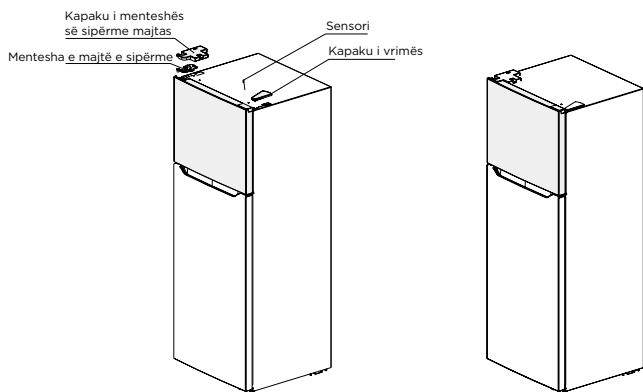
3. Zhvidhosni vidën e menteshës, hiqni menteshën e mesit dhe fashetën e boshtit të sipërm, hiqni dy kapakët e vrimave të menteshës (kunjat e tapës) në menteshën e sipërme dhe hiqni trupin e derës së dhomëzës së frigoriferit për lart.
4. Vendosni boshtin e menteshës dhe fashetën e boshtit në vrimën majtas të menteshës së poshtme dhe pastaj menteshën e poshtme te cepi majtas i frigoriferit, pastaj rregulloni këmbën A sipas pozicionit që tregohet në figurë dhe në fund rregulloni këmbën B me cepin e poshtëm djathtas të frigoriferit.



5. Çmontoni ndaluesen e derës së dy trupave të derës dhe vidat vetëbllokuese të derës së djathtë dhe pastaj hiqni vetëbllokimin e derës së majtë nga çanta e aksesorëve dhe vendoseni në cepin e majtë të trupit të derës, bashkë me ndaluesen e derës; hiqni bllokun mbajtës të poshtëm të trupit të derës së dhomëzës së frigoriferit dhe vendoseni në cepin e poshtëm majtas. Në fund, hiqni tapën e vrimës dhe fashetën e boshtit të derës së dhomëzës së frigoriferit dhe rregulloni pozicionet e tyre dhe pastaj vendosini tek trupi i derës. Hiqni kapakun dekorativ djathtas në derën e dhomëzës së frigoriferit dhe hiqni kapakun dekorativ majtas nga çanta e aksesorëve dhe vendoseni në dhomëz, pastaj hiqni kapakun dekorativ majtas nga çanta e aksesorëve dhe vendoseni.



6. Vendosni derën e dhomëzës së frigoriferit në menteshën e poshtme, menteshën e mesit në anën e majtë të frigoriferit dhe shtrëngoni vidat dhe vendosni mirë menteshën e boshtit. Vendosni kunjin e tapës te vrima në shufrën e mesit në anën tjetër.
7. Vendosni derën e ngrirësit te mentesha e mesit, hiqni menteshën e sipërme majtas dhe kapakun e menteshës së sipërme majtas nga çanta e aksesorëve, vendosni menteshën e majtë dhe shtrëngoni vidat, vendosni kapakun e menteshës së sipërme majtas dhe shtrëngoni vidën, vendosni sensorin e djathtë në kapakun fillestar të vrimës majtas dhe pastaj fiksoni kapakun e vrimës në kutinë e djathtë.
8. Pas përfundimit të vendosjes.



● MBANI PARASYSH

Figura e mësipërme është vetëm për referencë. Konfigurimi aktual do të varet nga produkti fizik ose deklarata e distributorit.



Këmbët e nivelimit

Për të shmangur dridhjet, njësia duhet që të nivelohet.

Nëse nevojitet, rregulloni vidat e nivelimit për të kompensuar nivelin e dyshemesë.

Pjesa e përparme duhet të jetë pak më lart sesa e pasmja, për të ndihmuar mbylljen e derës.

Vidat e nivelimit mund të rrotullohen lehtësisht, duke e ngritur pak kabinetin.

Rrotullojini vidat e nivelimit në drejtim të kundërt të akrepave të orës  për ta ngritur njësinë dhe në drejtimin e akrepave të orës  për ta ulur atë.

Lëvizja e pajisjes

1. Hiqni të gjitha ushqimet nga brenda pajisjes.
2. Hiqni spinën e korrentit, vendoseni dhe fiksojeni te kapësja e spinës së korrentit, në pjesën e pasme ose mbi pajisje.
3. Vendosni ngjitëse te raftet dhe doreza e derës, për të parandaluar rënien gjatë lëvizjes së pajisjes.
4. Lëvizeni pajisjen me kujdes me më shumë se dy persona. Kur ta transportoni pajisjen në distancë të gjatë, mbajeni vertikalisht.
5. Pas instalimit të pajisjes, lidhni spinën e korrentit te priza, për të ndezur pajisjen.

MBANI PARASYSH

Masa paraprake përpara përdorimit:

Para se të bëni ndryshime, frigoriferi duhet të shkëputet nga energjia.

Për të parandaluar plagosje të personave, duhet të merren masa paraprake.

Ndërrimi i dritës

- Çdo ndërrim ose mirëmbajtje e llambave LED synohet që të kryhet nga prodhuesi, agjenti i tij i shërbimit ose person i ngjashëm i kualifikuar.

MBANI PARASYSH

MDRT489MTE përmban një burim të lehtë të klasit së efikasitetit të energjisë (F).

MDRT580MTE/MDRT645MTE përmban dy burime drite të klasës së efikasitetit të energjisë (F).

Lidhja e pajisjes

Pas instalimit të pajisjes, lidhni spinën e korrentit te priza.

MBANI PARASYSH

Pas lidhjes së kordonit të furnizimit me energji (ose spinës) me prizën, prisni 2 ose 3 orë përpara se të vendosni ushqime te pajisja. Nëse vendosni ushqime përpara se pajisja të jetë ftohur plotësisht, ushqimet mund të prishen.

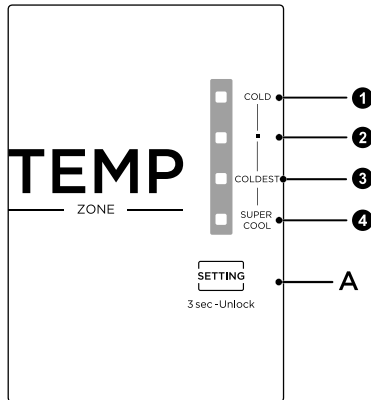
AL

Këshilla për kursimin e energjisë

- Mos e vendosni pajisjen pranë sobave, radiatorëve ose burimeve të tjera të nxehtësisë. Nëse temperatura e ambientit është e lartë, kompresori do të punojë më shpesh dhe për kohë më të gjatë, duke shkaktuar rritje të konsumit të energjisë.
- Sigurohuni që në bazament, anash dhe mbrapa pajisjes të ketë ajrim të mjaftueshëm. Asnjëherë mos u mbuloni hapësirat e ajrimit.
- Zbatoni gjithashtu përmasat e hapësirave në kapitullin "Instalimi".
- Organizimi i sirtarëve, rafteve dhe shinave, siç tregohet në ilustrim, bën të mundur përdorimin më të efektshëm të energjisë dhe prandaj duhet të ruhet sa më shumë të jetë e mundur. Të gjithë sirtarët dhe raftet duhet të qëndrojnë brenda pajisjes për ta mbajtur temperaturën stabël dhe për të kursyer energji.
- Për të pasur hapësirë më të madhe (p.sh. për ushqimet e mëdha të ftohta/të ngrira), sirtarët e mesit mund të hiqen. Sirtarët e sipërm dhe të poshtëm duhet të hiqen të fundit nëse është e nevojshme.
- Nëse frigoriferi/ngrirësi mbushen në mënyrë të njëtrajtshme, kjo bën që përdorimi i energjisë të jetë optimal. Prandaj shmangni sektorët bosh ose gjysmë bosh.
- Lërimi ushqimet e ngrohta të ftohen para se t'i futni në frigorifer/ngrirës. Ushqimet që janë ftohur tashmë rritin efikasitetin e energjisë.
- Lërimi ushqimet e ngrira të shkrijnë në frigorifer. Ftohtësia e ushqimeve të ngrira ul konsumin e energjisë në sektorin e frigoriferit dhe kështu rrit efikasitetin e energjisë.
- Për të pakësuar humbjen e temperaturës së ftohtë, hapeni derën vetëm për aq sa ju nevojitet. Hapja e derës për kohë të shkurtër dhe mbyllja siç duhet ndihmon në uljen e konsumit të energjisë.
- Gominat e derës së pajisjes duhet të jenë në gjendje perfekte në mënyrë që dyert të mbyllen siç duhet dhe konsumi i energjisë të mos rritet në mënyrë të panevojshme.

UDHËZIMET E PËRDORIMIT

Paneli i kontrollit



Tasti

- Cilësimi 1 (COLD)
- Cilësimi 2 (MID)
- Cilësimi 3 (COLDEST)
- Cilësimi 4 (SUPER COOL)
- Cilësimi A (Butoni i caktimit të temperaturës së hapësirës së frigoriferit)

MBANI PARASYSH

Paneli aktual i kontrollit mund të ndryshojë në varësi të modelit.

Ekрани

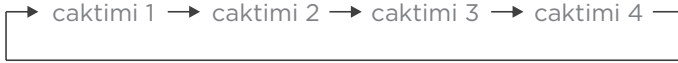
- Kur e ndizni frigoriferin për herë të parë, ekrani ndizet plotësisht për 3 sekonda, dhe më pas frigoriferi punon sipas parametrin 3. Në rast defekti, drita LED përkatëse pulson. Nëse nuk ka defekte, tregon temperaturën e vendosur të frigoriferit.

Kodi i defektit	Përshkrimi i defektit
Cilësimi 3 dhe cilësimi 4 i treguesit	Defekt në sensorin e temperaturës së dhomës së frigoriferit
Cilësimi 2 dhe cilësimi 4 i treguesit	Defekt i sensorit të shkrirjes së akullit të dhomës së ngrirësit
Cilësimi 1 dhe cilësimi 4 i treguesit	Defekt i sensorit të temperaturës së ambientit

AL

Vendosja e temperaturës

- Sa herë që shtypet butoni i cilësimit të temperaturës (A), cilësimi i temperaturës ndryshon një herë. Kur përfundon cilësimi i temperaturës, frigoriferi do të punojë sipas cilësimit pas 15 sekondash.
- Cilësimi ndryshon në këtë radhë:

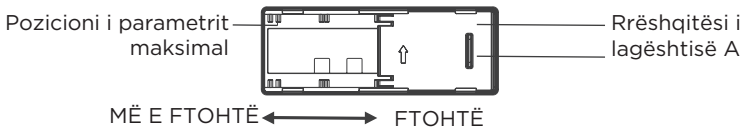


Blllokimi/Zhblllokimi

- Shtypni gjatë tastin TEMP për 3 sekonda për ta zhbllokuar dhe për 30 sekonda për ta bllokuar automatikisht pa përdorim.

Shina e rregullimit të qarkullimit

- Temperatura brenda ngrirësit mund të rregullohet duke ndryshuar pozicionin e rrëshqitësit të lagështisë. Pozicioni fillestar i rrëshqitësit të lagështisë është në pozicionin A. Nëse kërkohet temperaturë më e ulët brenda ngrirësit, mund të rregulloni rrëshqitësin e lagështisë nga pozicioni A në anën e majtë.
- Për përdorim më të mirë të frigoriferit, rekomandohet që ta mbani rrëshqitësin e lagështisë në pozicionin fillestar.



Ndalimi i përdorimit

- **Ndërprerje energjie:** Në rast ndërprerjeje energjie, edhe kur është verë, ushqimet brenda pajisjes mund të ruhen për disa orë; gjatë ndërprerjes së energjisë dyert nuk duhet të hapen shumë herë dhe të mos vendosen ushqime të tjera të freskëta në pajisje.
- **Kur nuk përdoret për një kohë të gjatë:** Pajisja duhet të shkëputet dhe të pastrohet, pastaj dyert të mbahen hapur për të parandaluar aromat e këqija.

Këshilla për ruajtjen e ushqimit

Dhoma e ngrirësit

- Ngrirësi është bërë për të mbajtur ushqime të ngrira në temperaturë shumë të ulët, për ruajtje të ushqimeve për kohë të gjatë dhe për të prodhuar akull.
- Raftet në derën e ngrirësit përdorini vetëm për të mbajtur ushqime të ngrira, jo për të vendosur ushqime të nxehta që duhen ngrirë.
- Mos i vendosni pranë njëra-tjetrës ushqimet e freskëta me ato të ngrira. Ushqimi i ngrirë mund të shkrijë.
- Kur ngrini ushqime të freskëta (si për shembull mish, peshk ose mish të grirë), ndajini në racione që t'i përdorni me radhë.
- Mbajtja e ushqimeve të ngrira: zakonisht udhëzimet tregohen në paketime, dhe duhen zbatuar. Nëse në paketim nuk ka informacion, ushqimi duhet të mbahet për jo më shumë se tre muaj nga data e blerjes.
- Kur blini ushqime të ngrira, sigurohuni që janë ngrirë në temperaturë të përshtatshme dhe që paketimi nuk është dëmtuar.
- Ushqimet e ngrira duhet të mbahen në paketime të përshtatshme për të ruajtur cilësinë, dhe duhet të kthehen te sektori i ngrirjes sa më shpejt të jetë e mundur.
- Nëse një paketim ushqimi të ngrirë ka shenja lagështie ose fryrjeje jonormale, ka të ngjarë që është mbajtur në temperaturë të papërshtatshme dhe ushqimi është prishur.
- Periudha e ruajtjes për ushqimet e ngrira varet nga temperatura e ambientit, konfigurimi i termostatit, sa shpesh hapet dera e ngrirësit, lloji i ushqimit dhe koha e transportit të produktit nga dyqani në shtëpi. Zbatoni gjithmonë udhëzimet në paketim dhe mos e kaloni asnjëherë kohën maksimale që tregohet në paketim.

Sektori i ftohjes

- Për të pakësuar lagështinë dhe grumbullimin e akullit që ndodh si pasojë, asnjëherë mos futni në frigorifer lëngje në enë pa kapak. Ngrica ka prirjen të përqendrohet në pjesët më të ftohta të evaporatorit. Mbajtja e lëngjeve të pambuluara bën që të nevojiten më shpesh shkrirje.
- Asnjëherë mos futni në frigorifer ushqime të ngrohta. Ato duhet të ftohen më parë në temperaturë ambiente dhe më pas të vendosen, me qëllim që të sigurohet qarkullim i përshtatshëm i ajrit në frigorifer.
- Ushqimet ose enët e ushqimeve nuk duhet të prekin murin e pasmë të frigoriferit, pasi mund të ngrijnë pas murit. Mos e hapni vazhdimisht derën e frigoriferit.
- Mishi dhe peshku i pastër (i paketuar në paketim ose qese plastike) mund të futet në frigorifer, i cili mund të konsumohet brenda 1-2 ditësh.
- Frutat dhe perimet pa paketim mund të vendosen në pjesën e caktuar për frutat dhe perimet e freskëta.

MBANI PARASYSH

Konfigurimi optimal i temperaturës për çdo sektor varet nga temperatura e ambientit. Temperatura mbi optimalen bazohet në temperaturën e ambientit mbi 25°C.

Rendi	LLOJI i hapësirës	Temperatura e synuar e ruajtjes [°C]	Ushqimi i përshtatshëm
1	Frigoriferi	+2 ~ +8	Vezët, ushqimet e gatuar, ushqimet e paketuara, frutat dhe perimet, produktet e bulmetit, kekët, pijet dhe ushqimet e tjera nuk janë të përshtatshme për ngrirje.
2	(***)*-Ngrirësi	≤-18	Produktet e detit (peshqit, karkalecat e detit, midhjet), produktet e ujit të ëmbël dhe produktet e mishit (rekomandohet për 3 muaj; sa më e gjatë të jetë koha e ruajtjes, aq më e keqe është shija dhe vlerat ushqyese), e përshtatshme për ngrirjen e ushqimeve të freskëta.
3	****-Ngrirësi	≤-18	Produktet e detit (peshqit, karkalecat e detit, midhjet), produktet e ujit të ëmbël dhe produktet e mishit (rekomandohet për 3 muaj; sa më e gjatë të jetë koha e ruajtjes, aq më e keqe është shija dhe vlerat ushqyese), e përshtatshme për ngrirjen e ushqimeve të freskëta.
4	** -Ngrirësi	≤-12	Produktet e detit (peshqit, karkalecat e detit, midhjet), produktet e ujit të ëmbël dhe produktet e mishit (rekomandohet për 3 muaj; sa më e gjatë të jetë koha e ruajtjes, aq më e keqe është shija dhe vlerat ushqyese), e përshtatshme për ngrirjen e ushqimeve të freskëta.
5	*-Ngrirësi	≤-6	Produktet e detit (peshqit, karkalecat e detit, midhjet), produktet e ujit të ëmbël dhe produktet e mishit (rekomandohet për 3 muaj; sa më e gjatë të jetë koha e ruajtjes, aq më e keqe është shija dhe vlerat ushqyese), e përshtatshme për ngrirjen e ushqimeve të freskëta.
6	0-yje	-6 ~ 0	Mishi i freskët i derri, i lopës, i pulës, disa ushqime të përpunuara të paketuara etj. (Rekomandohen që të hahen brenda ditës, preferohet jo më shumë se 3 ditë). Ushqime të përpunuara të paketuara pjesërisht (ushqime që nuk duhet të ngrijnë).
7	Ftohje	-2 ~ +3	Mish derri i freskët/i ngrirë, mish lope, mish pule, produkte uji të ëmbël etj. (7 ditë nën 0°C dhe mbi 0°C rekomandohet për konsum brenda asaj dite, preferohet jo më shumë se 2 ditë). Produktet e detit (jo më pak se 0 për 15 ditë, nuk rekomandohet të ruhet mbi 0°C.)
8	Ushqim i freskët	0 ~ +4	Mishi i freskët i derri, i lopës, i pulës, ushqime të gatuar etj. (Rekomandohen që të hahen brenda ditës, preferohet jo më shumë se 3 ditë)
9	Verë	+5 ~ +20	Verë e kuqe, verë e bardhë, verë me gaz etj.

MBANI PARASYSH

Ju lutemi t'i ruani ushqimet e ndryshme në përputhje me hapësirat ose temperaturat e synuara të ruajtjes që janë blerë.

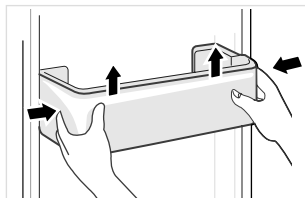
PASTRIMI DHE MIRËMBAJTJA

Shkrirja e akullit

- Frigoriferi është prodhuar me parimin e ftohjes së ajrit dhe si rrjedhojë, ka funksion shkrireje automatike. Bryma që formohet për shkak të stinës ose temperaturës mund të hiqet gjithashtu manualisht duke e shkëputur pajisjen nga furnizimi me energji ose duke e fshirë me një peshqir të thatë.

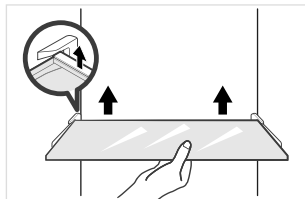
Pastrimi i tabakasë së derës

- Në përputhje me drejtimin e shigjetave në figurën e mëposhtme, përdorni të dyja duart për ta shtypur tabakanë dhe shtyjeni për lart dhe pastaj mund ta nxirrni.
- Pas larjes së tabakasë që keni nxjerrë, mund të rregulloni lartësinë e vendosjes së saj sipas nevojave tuaja.



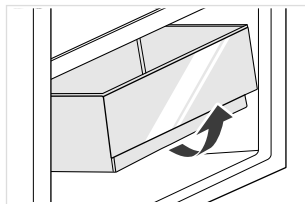
Pastrimi i raftit prej xhami

- Meqenëse pjesa fundore e veshjes së frigoriferit ku bën kontakt me raftet ka një ndalesë, duhet t'i ngrini raftet lart dhe atëherë mund t'i hiqni.
- Rregulloni ose pastroni raftet sipas nevojës suaj.



Pastrimi i raftit të perimeve

1. Hiqni artikujt nga rafti. Mbani dorezën e raftit të perimeve dhe tërhiqeni plotësisht derisa të ndalojë.
2. Ngrini lart raftin e perimeve dhe hiqeni duke e tërhequr.



● MBANI PARASYSH

Për pastrim sugjerohen peshqirë të butë ose një sfungjer i zhytur në ujë dhe detergjente neutrale që nuk gërryejnë. Ngrirësi duhet të pastrohet në fund me ujë të pastër dhe një leckë të thatë. Hapeni derën për tharje natyrale para se ta ndizni përsëri. Mos përdorni furça të forta, tela pastrimi, furça me tel, gërryes si pastë dhëmbësh, tretës organikë (si alkool, acetoni, vaj bananeje etj.), ujë të vluar, artikuj me acid ose alkale për të pastruar frigoriferin, sepse këto mund të dëmtojnë sipërfaqen e frigoriferit dhe pjesën e brendshme.

ZGJIDHJA E PROBLEMEVE

Problemet e thjeshta të mëposhtme mund të zgjidhen nga përdoruesi. Ju lutem të telefononi servisin nëse problemet nuk zgjidhen.

Problemi	Arsyeja e mundshme
Pajisja nuk punon	• Kontrolloni nëse pajisja është lidhur në rrymë ose nëse spina është vendosur mirë.
	• Kontrolloni nëse tensioni është shumë i ulët.
	• Kontrolloni nëse ka ndërprerje energjie ose ka rënë ndonjë siguresë.
Aromë e keqe	• Mbështillni mirë ushqimet me erë të fortë.
	• Kontrolloni nëse ka ushqime të prishura.
	• Pastroni pjesën e brendshme të frigoriferit.
Përdorimi i kompresorit për një kohë të gjatë.	• Punimi i frigoriferit për kohë të gjatë në verë është normal
	• kur temperatura e ambientit është e lartë, ndaj nuk këshillohet që të mbani njëkohësisht tepër ushqime në pajisje.
	• Përpara se të vendosen në pajisje, ushqimet duhet të ftohen.
Drita nuk ndizet	• Dyert hapen shumë shpesh.
	• Kontrolloni nëse frigoriferi është lidhur me furnizimin me energji dhe nëse drita është e dëmtuar.
	• Ndërrojeni dritën me një specialist
Dera nuk mund të mbyllet siç duhet	• Dera ka ngecur nga paketat e ushqimit, është vendosur shumë ushqim
	• Frigoriferi është i anuar.
Zhurmë e lartë	• Kontrolloni nëse dyshemeja është në nivel dhe nëse frigoriferi është vendosur që të mos lëvizë.
	• Kontrolloni nëse pjesët janë vendosur në vendet e duhura.

Problemi	Arsyeja e mundshme
Gomina e derës nuk mbyllet mirë	<ul style="list-style-type: none"> • Hiqni materialet e huaja nga gomina e derës. • Ngrohni gominën e derës dhe pastaj ftohni që të rikthehet forma (për ta ngrohur përdorni një tharëse flokësh ose një peshqir të nxehtë).
Tabakaja e mbledhjes së ujit derdhet	<ul style="list-style-type: none"> • Nuk ka shumë ushqim në dhomë ose ushqimi që ndodhet përmban tepër ujë, dhe kjo shkakton shkrirje të tepruar • Dyert nuk janë mbyllur saktë, duke krijuar brymë kur hyn ajri dhe rritje të nivelit të ujit për shkak të shkrirjes.
Fole e nxehtë	<ul style="list-style-type: none"> • Shpërndarja e nxehtësisë së kondensatorit të integruar përmes folesë, e cila është normale kur foleja nxehet për shkak të temperaturës së lartë të ambientit, ruajtjes së një sasive shumë të madhe të ushqimit ose fikjes së kompresorit. Siguroni ajrim të mirë për të lehtësuar shpërndarjen e nxehtësisë
Kondensim i sipërfaqes	<ul style="list-style-type: none"> • Kondensimi i sipërfaqes së jashtme dhe gominave të dyerve të frigoriferit është normal kur lagështia e ambientit është shumë e lartë. Thjesht thajeni kondensimin me një peshqir të pastër.

SHTOJCË

Veçanërisht për standardin e ri evropian

Pjesët e porositura në tabelën e mëposhtme mund të blihen nëpërmjet kanalit të ofruesit të shërbimeve

Pjesa e porositur	Ofrohet nga	Koha minimale që kërkohet për sigurimin
Termostate	Personali profesionist i mirëmbajtjes	Të paktën 7 vjet pas nxjerrjes në treg të modelit të fundit
Sensorë temperature	Personali profesionist i mirëmbajtjes	Të paktën 7 vjet pas nxjerrjes në treg të modelit të fundit
Panele qarku të stampuar	Personali profesionist i mirëmbajtjes	Të paktën 7 vjet pas nxjerrjes në treg të modelit të fundit
Burimet e dritës	Personali profesionist i mirëmbajtjes	Të paktën 7 vjet pas nxjerrjes në treg të modelit të fundit
Doreza dyersh	Riparuesit profesionistë dhe përdoruesit përfundimtarë	Të paktën 7 vjet pas nxjerrjes në treg të modelit të fundit
Menteshat e derës	Riparuesit profesionistë dhe përdoruesit përfundimtarë	Të paktën 7 vjet pas nxjerrjes në treg të modelit të fundit
Tabakatë	Riparuesit profesionistë dhe përdoruesit përfundimtarë	Të paktën 7 vjet pas nxjerrjes në treg të modelit të fundit
Shportat	Riparuesit profesionistë dhe përdoruesit përfundimtarë	Të paktën 7 vjet pas nxjerrjes në treg të modelit të fundit
Gomina dere	Riparuesit profesionistë dhe përdoruesit përfundimtarë	Të paktën 10 vjet pas nxjerrjes në treg të modelit të fundit

I nderuar klient,

1. Nëse dëshironi që ta ktheni ose ta zëvendësoni produktin, ju lutemi të kontaktoni dyqanin ku e bletë.

(Mos harroni të merrni me vete faturën e blerjes)

2. Nëse produkti prishet dhe ka nevojë për riparim, ju lutemi të kontaktoni kompaninë e shërbimeve pas shitjes.

● MBANI PARASYSH

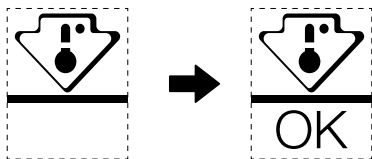
Informacioni i modelit në bazën e të dhënave të produktit, si dhe identifikuesi i modelit mund të gjenden nëpërmjet lidhjes së internetit, duke skanuar kodin QR nëse ka, mbi etiketën e efikasitetit të energjisë së produktit.

Për më shumë informacion rreth efikasitetit të energjisë së pajisjes, vizitoni <https://ec.europa.eu> dhe kërkoni duke përdorur emrin e modelit. Emri i modelit mund të gjendet në etiketën e klasifikimit të pajisjes.

Zona më e ftohtë në frigorifer

OPSIONALE: Treguesi i temperaturës OK

- Treguesi i temperaturës OK mund të përdoret për të përcaktuar temperatura nën +4°C. Ulni gradualisht temperaturën nëse shenja nuk tregon “OK”.



- Për të garantuar temperaturën në këtë zonë, mos e ndryshoni pozicionin e raftit. Frigoriferët me ajër të forcuar (të pajisur me ventilator ose modelet Pa Ngrirje), simboli i zonës më të ftohtë nuk tregohet sepse temperatura brenda është homogjene.

Konfigurimi i treguesit të temperaturës

- Për t'ju ndihmuar ta konfiguroni mirë frigoriferin, ai është i pajisur me një tregues temperature që monitoron temperaturën mesatare në zonën më të ftohtë.
- PARALAJMËRIM: Ky tregues ka për qëllim të punojë vetëm me frigoriferin tuaj, mos e përdorni në një frigorifer tjetër (në fakt, zona më e ftohtë nuk është e njëjtë), apo për ndonjë përdorim tjetër.

Kontrollimi i temperaturës në zonën më të ftohtë

- Me treguesin e temperaturës, mund të kontrolloni rregullisht që temperatura e zonës më të ftohtë është e saktë. Por, temperatura e brendshme e frigoriferit varet nga disa faktorë, si temperatura e ambientit të dhomës, sasia e ushqimit të ruajtur dhe shpeshësia e hapjes së derës. Duhet të merren parasysh këta faktorë kur konfigurohet pajisja.
- Kur treguesi thotë «OK», kjo do të thotë që termostati është vendosur mirë dhe temperatura e brendshme është e saktë.
- Nëse treguesi i temperaturës bëhet I BARDHË, kjo do të thotë që temperatura është tepër e lartë; në këtë rast, rriteni kontrollin e temperaturës së frigoriferit dhe prisni 12 orë para se të bëni një kontroll tjetër me sy të treguesit. Kur futen ushqime të freskëta ose dera është lënë hapur, ekziston mundësia që treguesi i temperaturës të bëhet I BARDHË pas njëfarë kohe.

PODĚKOVÁNÍ

Děkujeme vám, že jste si zvolili značku Midea! Před použitím nového výrobku Midea si důkladně přečtete tento návod, abyste se ujistili, že víte, jak bezpečně ovládat funkce, které váš nový spotřebič nabízí.

OBSAH

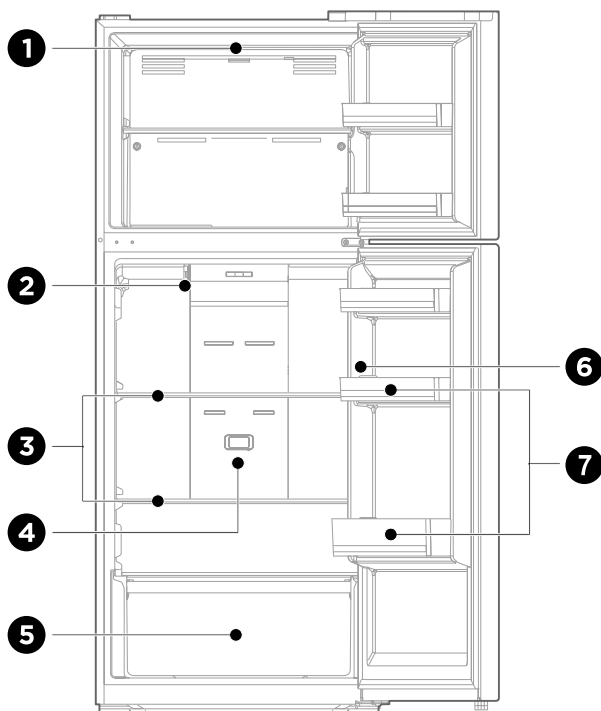
PODĚKOVÁNÍ	01
TECHNICKÉ ÚDAJE	02
PŘEHLED PRODUKTU	03
MONTÁŽ VÝROBKU	04
POKYNY K OVLÁDÁNÍ	11
ČIŠTĚNÍ A ÚDRŽBA	15
ŘEŠENÍ POTÍŽÍ	16
DODATEK	18

TECHNICKÉ ÚDAJE

Model výrobku	MDRT489MTE
Jmenovité napětí/frekvence	220–240 V~/50 Hz
Jmenovitý proud	0,7 A
Celkový objem	338 L
Objem úložného prostoru pro čerstvé potraviny	254 L
Objem prostoru označeného čtyřmi hvězdičkami	84 L
Mrazicí kapacita	3,9 kg/24 hodin
Doba zvýšení teploty	10 h
Celkové rozměry (Š × H × V)	595 × 695 × 1724 mm
Model výrobku	MDRT580MTE
Jmenovité napětí/frekvence	220–240 V~/50 Hz
Jmenovitý proud	1,5 A
Celkový objem	413 L
Objem úložného prostoru pro čerstvé potraviny	306 L
Objem prostoru označeného čtyřmi hvězdičkami	107 L
Mrazicí kapacita	5 kg/24 hodin
Doba zvýšení teploty	10 h
Celkové rozměry (Š × H × V)	700 × 670 × 1723 mm
Model výrobku	MDRT645MTE
Jmenovité napětí/frekvence	220–240 V~/50 Hz
Jmenovitý proud	1,2 A
Celkový objem	463 L
Objem úložného prostoru pro čerstvé potraviny	356 L
Objem prostoru označeného čtyřmi hvězdičkami	107 L
Mrazicí kapacita	5 kg/24 hodin
Doba zvýšení teploty	10 h
Celkové rozměry (Š × H × V)	700 x 691 x 1880 mm

PŘEHLED PRODUKTU

Názvy součástí



- | | | | |
|---|---------------------------|---|-------------------------------|
| 1 | Osvětlení LED | 5 | Příhrádka na ovoce a zeleninu |
| 2 | Posuvná páčka pro tlumení | 6 | Regulátor teploty |
| 3 | Police | 7 | Police dveří |
| 4 | Deoderizér | | |

UPOZORNĚNÍ

Výše uvedený obrázek slouží pouze pro referenci. Skutečná konfigurace bude záviset na fyzickém výrobku nebo prohlášení distributora.

CZ

MONTÁŽ VÝROBKU

Pokyny k montáži

Pro chladicí zařízení s klimatickou třídou

- V závislosti na klimatické třídě je tento chladicí spotřebič určen k použití v rozmezí okolní teploty podle následující tabulky.
- Klimatickou třídu najdete na typovém štítku. Výrobek nemusí při teplotách mimo uvedený rozsah fungovat správně.
- Klimatickou třídu najdete na štítku výrobku.

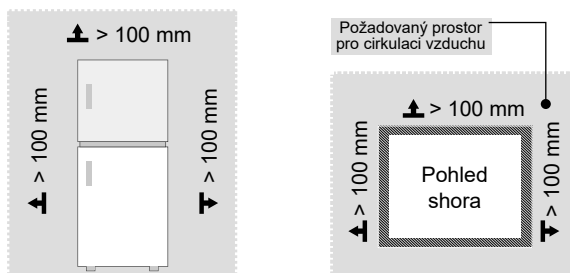
Efektivní rozsah teplot

- Výrobek je navržen tak, aby normálně fungoval v teplotním rozsahu určeném jeho třídou.

Třída	Symbol	Rozsah okolní teploty °C	
		IEC 62552 (ISO 15502)	ISO 8561
Rozšířené mírné pásmo	SN	+10 až +32	+10 až +32
Mírné pásmo	N	+16 až +32	+16 až +32
Subtropické pásmo	ST	+16 až +38	+18 až +38
Tropické pásmo	T	+16 až +43	+18 až +43

Rozměry a odstupy

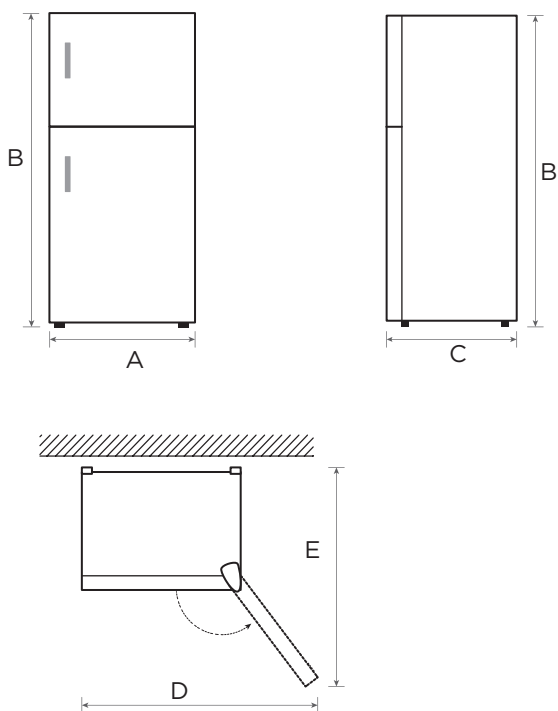
- Příliš malá vzdálenost od sousedních předmětů může vést ke zhoršení funkce mrazení a vyšším nákladům na elektrickou energii. Při montáži spotřebiče ponechte odstup od všech sousedních stěn více než 100 mm.



UPOZORNĚNÍ

Výše uvedený obrázek slouží pouze pro referenci. Skutečná konfigurace bude záviset na fyzickém výrobku nebo prohlášení distributora.

Schéma požadavků na prostor (při otevřených a zavřených dveřích)



Model výrobku	Šířka	Celková výška	Hloubka	Šířka při otevření dveří do 135°	Hloubka při otevření dveří do 135°
	A	B	C	D	E
MDRT489MTE	595	1724	695	997	1137


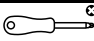
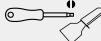

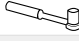

Model výrobku	Šířka	Celková výška	Hloubka	Šířka při otevření dveří do 125°	Hloubka při otevření dveří do 125°
	A	B	C	D	E
MDRT580MTE	700	1723	670	1085	1252
MDRT645MTE	700	1880	691	1085	1252

Poznámka: Všechny rozměry jsou uvedeny v milimetrech.

CZ

Změna otevírání dveří zprava doleva

Seznam nářadí, které si musí zajistit uživatel

		Imbusový klíč – křížový šroubovák
		Nůž na tmel, šroubovák s tenkou hlavou
		5/16" nástrčný klíč
		Krycí páska

Díly pro použití k obrácení dveří

SN	Díly	Množství
1	Pravý horní závěs	1
2	Kryt horního závěsu	1
3	Objímka osy horního závěsu	1
4	Šroub horního závěsu	3
5	Kryt otvoru	1
6	Šroub středního závěsu	2
7	Střední závěs	1
8	Ucpávka otvoru	2
9	Šroub středového nosníku	1
10	Krytka šroubu středového nosníku	1
11	Nastavitelná nožka	1
12	Šroub spodního závěsu	3
13	Sestava spodního závěsu	1
14	Šroub spodního konce krytu dveří mrazáku	1
15	Doraz spodního konce krytu dveří mrazáku	1
16	Šroub spodního konce krytu dveří chladničky	1
17	Doraz spodního konce krytu dveří chladničky	1
18	Objímka osy horního konce krytu dveří chladničky	1
19	Spodní podpěra dveří chladničky	1
20	Balíček příslušenství	4
21	Samočinné zamykání pravých dveří	1

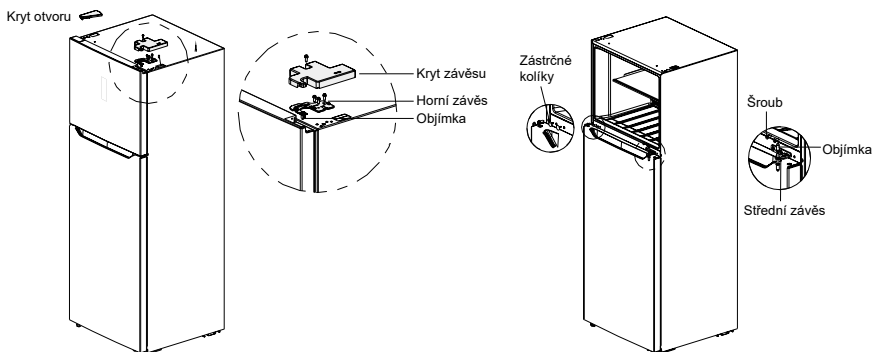
Poznámky:

1-19/Předmontovaný na chladniče a použije se při výměně dveří

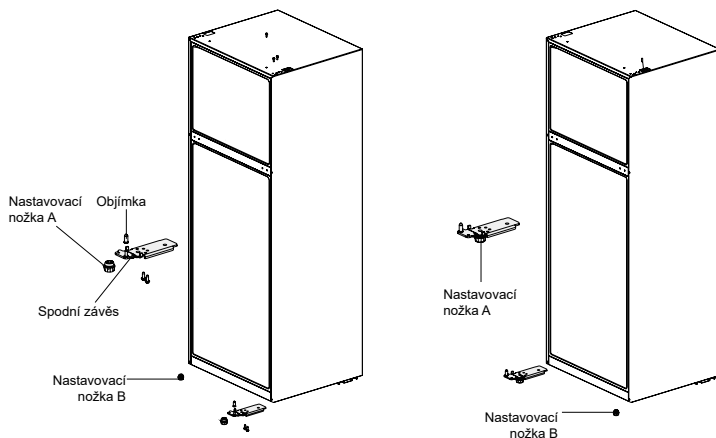
20/Levý horní závěs, kryt levého horního závěsu, samočinné zamykání levých dveří, levý ozdobný kryt

21/Předmontovaný na chladniče, odstaní se a uschová při výměně dveří

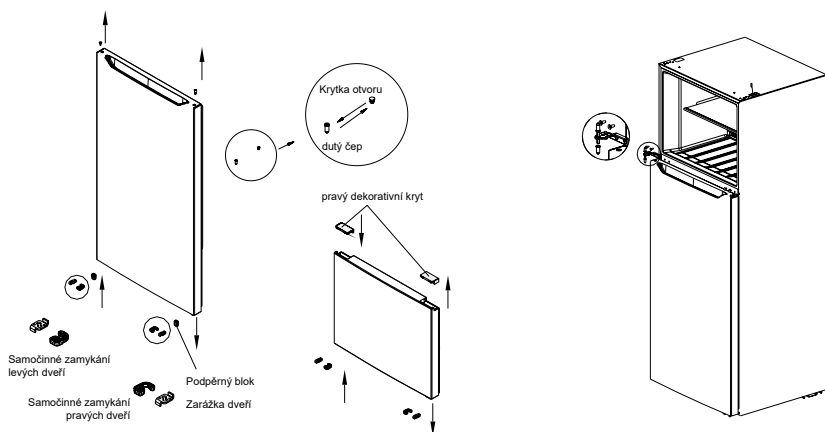
1. Před prováděním této operace spotřebič vypněte.
2. Odstraňte kryt závěsu a šroub na pravé horní straně skříně a také horní závěs a kryt otvoru na levé straně.



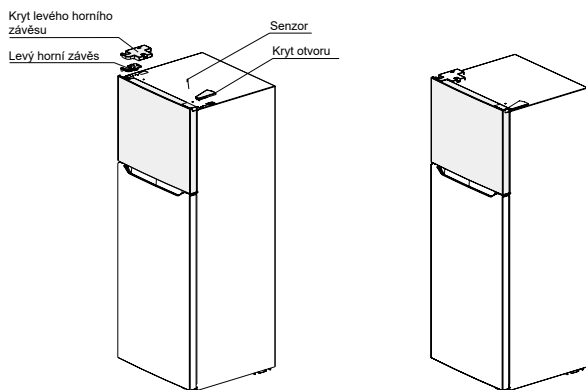
3. Odšroubujte šroub závěsu, sejměte střední závěs a objímku horního hřídele, odklopte dva kryty otvorů závěsu (zástrčné kolíky) na středním závěsu a vyjměte těleso dveří chladicí komory směrem nahoru.
4. Nainstalujte hřídel závěsu a objímku hřídele do levého otvoru spodního závěsu a poté spodní závěs do levého rohu chladničky, dále nastavovací nožku A podle polohy uvedené na obrázku a nakonec nastavovací nožku B do pravého spodního rohu chladničky.



5. Demontujte zářezku obou těles dveří a samosvorné šrouby pravých dveří, poté vyjměte samočinné zamykání levých dveří ze sáčku s příslušenstvím a nainstalujte jej do levého rohu tělesa dveří spolu se zářezkou dveří; vyjměte spodní podpěrný blok tělesa dveří chladicí komory a namontujte jej do levého dolního rohu. Nakonec vyjměte ucpávku otvoru a objímku hřídele pro dveře chladicí komory, upravte jejich polohu a poté je namontujte do tělesa dveří. vyjměte pravý ozdobný kryt na dveřích chladicí komory a ze sáčku s příslušenstvím vyjměte levý ozdobný kryt a namontujte jej.



6. Namontujte dveře komory chladničky na spodní závěs, střední závěs na levé straně chladničky, utáhněte šrouby a dobře nasadte objímku hřídele. Do otvoru na středovém nosníku na druhém konci nainstalujte zástrčný kolík.
7. Namontujte dveře mrazničky na střední závěs, vyjměte levý horní závěs a kryt levého horního závěsu ze sáčku s příslušenstvím, namontujte levý závěs a utáhněte šrouby, namontujte kryt levého horního závěsu a utáhněte šroub, namontujte pravý senzor do původního levého krytu otvoru a poté upevněte kryt otvoru na pravém oddílu.
8. Po dokončení instalace.



UPOZORNĚNÍ

Výše uvedený obrázek slouží pouze pro referenci. Skutečná konfigurace bude záviset na fyzickém výrobku nebo prohlášení distributora.

Vyrovňovací nožičky

Spotřebič musí být vyrovnán, aby se zabránilo vibracím.

Pokud to bude nutné, nastavte vyrovňovací nožičky, aby vykompenzovaly nerovnou podlahu.

Jako pomoc k zavírání dveří by měla být přední část spotřebiče mírně výš než zadní část. Vyrovnávacími šrouby lze snadno otáčet, když spotřebič mírně nakloníte.

Otáčením vyrovnávacími šrouby proti směru hodinových ručiček  spotřebič zvednete, otáčením ve směru hodinových ručiček  jej snížíte.

Přesunování spotřebiče

1. Vyjměte z vnitřku spotřebiče veškeré potraviny.
2. Vytáhněte napájecí zástrčku, vložte ji na háček napájecí zástrčky na zadní nebo horní části spotřebiče a zástrčku připevněte.
3. Přilepte lepicí páskou díly, jako jsou police a madlo dveří, abyste zabránili jejich vypadnutí během přesunování spotřebiče.
4. Spotřebič opatrně přesunujte ve více než dvou lidech. Přepravujete-li spotřebič na delší vzdálenost, udržujte jej ve svislé poloze.
5. Jakmile bude spotřebič namontován na místě, připojte napájecí zástrčku do zásuvky, a spotřebič tak zapněte.

UPOZORNĚNÍ

Bezpečnostní opatření před uvedením do provozu:

Před prováděním změn musí být chladnička odpojena od napájení.

Je třeba přijmout opatření, aby nedošlo ke zranění osob.

Výměna žárovky

- Veškerou výměnu nebo údržbu žárovek LED by měl provádět výrobce, jeho servisní zástupce nebo podobně kvalifikovaná osoba.

UPOZORNĚNÍ

MDRT489MTE obsahuje zdroj světla třídy energetické účinnosti (F).

MDRT580MTE/MDRT645MTE obsahuje dva světelné zdroje třídy energetické účinnosti (F).

Připojení spotřebiče

Po instalaci spotřebiče zapojte zástrčku do zásuvky.

UPOZORNĚNÍ

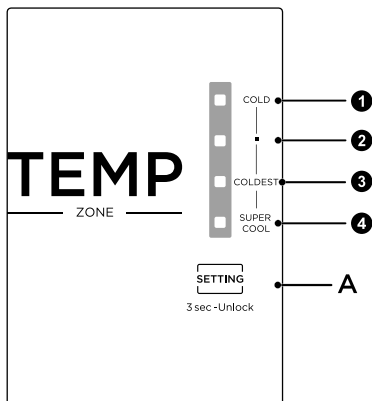
Po připojení napájecího kabelu (nebo zástrčky) do zásuvky počkejte 2 až 3 hodiny, než do spotřebiče vložíte potraviny. Pokud přidáte potraviny před úplným vychladnutím spotřebiče, mohou se zkazit.

Tipy pro úsporu energie

- Neumisťujte spotřebič do blízkosti sporáků, radiátorů ani jiných zdrojů tepla. Pokud je okolní teplota vysoká, kompresor se spouští častěji a po delší dobu, což vede k vyšší spotřebě energie.
- Zajistěte dostatečnou ventilaci u základny spotřebiče, po jeho stranách a za zadní částí spotřebiče. Ventilační otvory nikdy nezakrývejte.
- Dodržujte také odstupové vzdálenosti uvedené v kapitole „Montáž výrobku“.
- Uspořádání šuplíků, polic a drátěných roštů uvedené na obrázcích umožňuje neefektivnější využívání energie, a mělo by proto být co nejvíce dodržováno. Všechny šuplíky a police by měly zůstat ve spotřebiči, aby teplota zůstala stabilní a šetřila se energie.
- Chcete-li získat větší úložný prostor (např. pro velké kusy chlazeného/mrazeného zboží), lze prostřední šuplíky vyjmout. Horní a spodní šuplíky a police by měly být v případě potřeby vyndány jako poslední.
- Rovnoměrně naplněný chladicí/mrazicí prostor přispívá k optimálnímu využívání energie. Zabraňte proto tomu, aby byly prostory prázdné nebo poloprázdné.
- Teplé potraviny nechte před umístěním do chladničky/mrazničky vychladnout. Potraviny, které jsou již zchladnuté, zvyšují energetickou účinnost.
- Mrazené potraviny nechte rozmrazovat v chladničce. Chlad mrazených potravin snižuje spotřebu energie v chladicím prostoru, a tím zvyšuje energetickou účinnost.
- Otevírejte dveře krátce jen na nezbytnou dobu, abyste minimalizovali ztrátu chladu. Otvírání dveří na krátkou dobu a jejich řádné zavírání snižuje spotřebu energie.
- Těsnění dveří spotřebiče musí být dokonale neporušené, aby se dveře řádně dovíraly a spotřeba energie se zbytečně nezvyšovala.

POKYNY K OVLÁDÁNÍ

Ovládací panel



Tlačítko

- Nastavení 1 (COLD)
- Nastavení 2 (MID)
- Nastavení 3 (COLDEST)
- Nastavení 4 (SUPER COOL)
- Nastavení A (tlačítko nastavení teploty chladicího oddílu)

UPOZORNĚNÍ

Skutečný ovládací panel se může model od modelu lišit.

Zobrazení

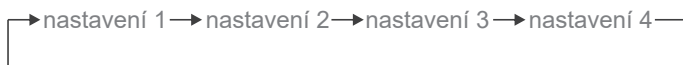
- při prvním elektrifikování chladničky se displej na 3 sekundy plně rozsvítí a poté chladnička běží podle nastavení 3. V případě poruchy bliká příslušná kontrolka LED. V případě, že nedojde k poruše, zobrazuje nastavení teploty chladničky.

Kód chyby	Popis závady
Indikátor nastavení 3 a nastavení 4	Závada teplotního senzoru chladicího oddílu
Indikátor nastavení 2 a nastavení 4	Závada senzoru rozmrazování mrazicího oddílu
Indikátor nastavení 1 a nastavení 4	Závada senzoru okolité teploty

CZ

Nastavení teploty

- Při každém stisknutí tlačítka nastavení teploty (A) se jednou změní nastavení teploty. Po dokončení nastavení teploty se chladnička po 15 sekundách spustí s nastavenou teplotou.
- Nastavení se mění v tomto pořadí:

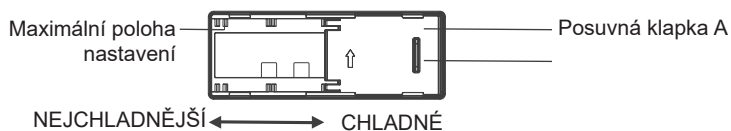


Zamknutí/odemknutí

- Dlouhým stisknutím tlačítka TEPLOTA na 3 sekundy se odemkne a po 30 sekundách bez provozu se automaticky zamkne.

Posuvná páčka pro tlumení

- Teplotu uvnitř mrazničky lze nastavit změnou polohy posuvné klapky. Výchozí poloha posuvné klapky je v poloze A. Požadujete-li nižší teplotu uvnitř mrazničky, můžete posuvnou klapku nastavit z polohy A na levou stranu.
- Pro lepší využití chladničky doporučujeme ponechat posuvnou klapku ve výchozí poloze.



Ukončení používání

- **Výpadek napájení:** Při výpadku napájení, a to dokonce i v létě, lze potraviny uvnitř spotřebiče uchovávat po několik hodin. Během výpadku napájení je nutné snížit četnost otevírání dveří a nevkládat do spotřebiče žádné další čerstvé potraviny.
- **Dlouhodobé nepoužívání:** Spotřebič je nutné odpojit od napájení a poté vyčistit. Dveře nechte otevřené, abyste zabránili vzniku zápachu.

Tipy pro skladování potravin

Mrazicí prostor

- Mraznička je určena pro skladování potravin zmrazených na velmi nízkou teplotu, pro dlouhodobé skladování mrazených potravin a k výrobě ledu.
- Police ve dveřích mrazničky používejte pouze ke skladování mrazených potravin, nikoli ke skladování horkých potravin určených ke zmrazení.
- Nepokládejte vedle sebe čerstvé a mrazené potraviny. Mrazené potraviny by mohly roztávat.
- Chcete-li zmrazit čerstvé potraviny (například maso, ryby nebo krájené maso), nakrájejte je na části, které lze použít najednou.
- Pokyny ke skladování mrazených potravin jsou obvykle uvedeny na balení potravin a je nutné je dodržovat. Pokud na balení nejsou uvedeny žádné informace, skladujte potraviny po dobu maximálně tří měsíců od data zakoupení.
- Při zakupování mrazených potravin se ujistěte, že potraviny byly zmrazeny na vhodnou teplotu a že balení není poškozeno.
- Mrazené potraviny by měly být uchovávány ve vhodných baleních, aby zůstala zachována jejich kvalita, a měly by být co nejdříve umístěny zpět do mrazicího prostoru.
- Pokud balení mrazených potravin vykazuje známky vlhkosti nebo abnormální vypoukliny, je pravděpodobné, že bylo skladováno při špatné teplotě a že obsah je znehodnocený.
- Doba skladování mrazených potravin závisí na pokojové teplotě, nastavení termostatu, frekvenci otevírání dveří mrazničky, typu potravin a době přepravy výrobku z obchodu do domácnosti. Vždy dodržujte pokyny vytištěné na balení a nikdy nepřekračujte maximální dobu skladování uvedenou na balení.

Chladicí prostor

- Tekutiny do chladničky nikdy nevkládejte v neutěsněných nádobách, abyste snížili vlhkost a zabránili následnému vytváření ledu. Námraza má tendenci se koncentrovat v nejmraznějších částech výparníku. Skladování nezakrytých tekutin vede k častější nutnosti odmrazování.
- Do chladničky nikdy nevkládejte teplé potraviny. Ty by měly nejprve zchladnout na pokojovou teplotu a poté být umístěny do chladničky, aby v ní byla zajištěna adekvátní cirkulace vzduchu.
- Potraviny ani nádoby s potravinami se nesmí dotýkat zadní stěny chladničky, protože by mohly k zadní stěně přimrznout. Neotevírejte dveře chladničky často.
- Do chladničky lze umístit maso a očištěné ryby (zabalené v balení nebo v plastové fólii), které lze spotřebovat do 1–2 dní.
- Ovoce a zeleninu bez obalu lze umístit do části určené pro čerstvé ovoce a zeleninu.

UPOZORNĚNÍ

Optimální nastavení teploty jednotlivých prostorů závisí na okolní teplotě. Výše uvedená optimální teplota je založena na okolní teplotě 25 °C.

Pořadí	Typ prostoru	Cílová skladovací teplota [°C]	Příslušná potravin
1	Chladnička	+2 ~ +8	Vejce, vařené potraviny, balené potraviny, ovoce a zelenina, mléčné výrobky, dorty, nápoje a další potraviny, které nejsou vhodné k mrazení.
2	(***)*-Mraznička	≤-18	Výrobky z mořských živočichů (ryby, krevety, korýši), výrobky ze sladkovodních živočichů a masné výrobky (doporučuje se uchovávání po dobu 3 měsíců; čím delší je doba, tím horší je chuť a nutriční hodnoty), vhodné pro mražené čerstvé potraviny.
3	***-Mraznička	≤-18	Výrobky z mořských živočichů (ryby, krevety, korýši), výrobky ze sladkovodních živočichů a masné výrobky (doporučuje se uchovávání po dobu 3 měsíců; čím delší je doba, tím horší je chuť a nutriční hodnoty), vhodné pro mražené čerstvé potraviny.
4	** -Mraznička	≤-12	Výrobky z mořských živočichů (ryby, krevety, korýši), výrobky ze sladkovodních živočichů a masné výrobky (doporučuje se uchovávání po dobu 3 měsíců; čím delší je doba, tím horší je chuť a nutriční hodnoty), vhodné pro mražené čerstvé potraviny.
5	*-Mraznička	≤-6	Výrobky z mořských živočichů (ryby, krevety, korýši), výrobky ze sladkovodních živočichů a masné výrobky (doporučuje se uchovávání po dobu 3 měsíců; čím delší je doba, tím horší je chuť a nutriční hodnoty), vhodné pro mražené čerstvé potraviny.
6	0 hvězdiček	-6 ~ 0	Čerstvé vepřové, hovězí, ryby, kuřecí, některé balené zpracované potraviny atd. (doporučuje se je zkonsumovat ve stejný den, nejlépe do maximálně 3 dnů). Částečně balené zpracované potraviny (potraviny, které nejsou určeny k mrazení).
7	Zchlazovací prostor	-2 ~ +3	Čerstvé/mražené vepřové, hovězí a kuřecí maso, výrobky ze sladkovodních ryb atd. (pod 0 °C mohou být potraviny uchovávány po 7 dnů, nad 0 °C se doporučuje potraviny zkonsumovat ve stejný den, nejlépe do maximálně 2 dnů), potraviny z moře (pod 0 °C po dobu 15 dnů, nedoporučuje se skladovat při teplotě nad 0 °C).
8	Čerstvé potraviny	0 ~ +4	Čerstvé vepřové, hovězí, ryby, kuřecí, vařené potraviny atd. (doporučuje se je zkonsumovat ve stejný den, nejlépe do maximálně 3 dnů).
9	Víno	+5 ~+20	Červené víno, bílé víno, šumivé víno atd.

UPOZORNĚNÍ

Skladujte různé druhy potravin v jim příslušných prostorech nebo podle cílové skladovací teploty zakoupených výrobků.

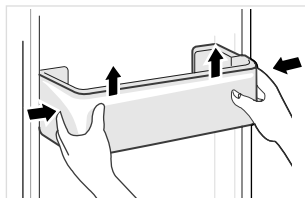
ČIŠTĚNÍ A ÚDRŽBA

Odmrazování

- Chladnička je založena na principu chlazení vzduchem, má proto funkci automatického odmrazování. Námrazu, která se tvoří se změnou ročního období nebo teploty, lze odstranit také ručně odpojením spotřebiče od napájení nebo ořněním suchou utěrkou.

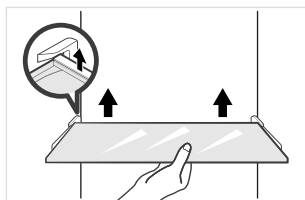
Čištění přihrádky ve dveřích

- Podle směru šipek na níže uvedeném obrázku stiskněte oběma rukama zásuvku, vytlačte ji nahoru a pak ji vyjměte.
- Po omytí vytažené zásuvky můžete při zpětném vkládání nastavit výšku jejího umístění podle svých požadavků.



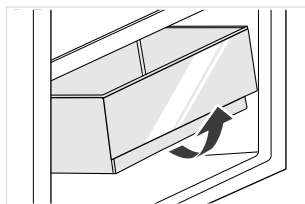
Čištění skleněné police

- V části obložení chladničky nejvíce vzadu, kde má police zarážku, nadzvedněte polici směrem nahoru a poté ji budete moci vytáhnout.
- Podle požadavků police nastavte nebo vyčistěte.



Čištění zásuvky na zeleninu

1. Vyjměte obsah zásuvky. Uchopte madlo zásuvky na zeleninu a zcela jej vytáhněte, dokud se nezastaví.
2. Zvedněte zásuvku na zeleninu nahoru a vytažením ji vyjměte.



UPOZORNĚNÍ

K čištění se doporučují měkké hadříky nebo houbičky namočené vodě a nekorozivní neutrální čisticí prostředky. Na závěr je mrazničku třeba očistit čistou vodou a suchým hadříkem. Než zapnete napájení, nechte dveře otevřené, aby prostor přirozeně vyschl. K čištění povrchu a vnitřního prostoru chladničky nepoužívejte tvrdé kartáče, kovové drátěnky, drátěné kartáče, abrazivní látky – například zubní pasty, organická rozpouštědla (například alkohol, aceton, izoamylacetát atd.), vařící vodu, kyseliny ani alkalické látky, které by je mohly poškodit.

ŘEŠENÍ POTÍŽÍ

Uživatel může vyřešit následující jednoduché problémy. Pokud se problémy nepodaří vyřešit, zavolejte na poprodejní servisní oddělení.

Problém	Možná příčina
Spotřebič nelze uvést do provozu.	• Zkontrolujte, zda je spotřebič připojený k napájení a zda je zástrčka řádně zasunuta.
	• Zkontrolujte, zda není napětí příliš nízké.
	• Zkontrolujte, zda nedošlo k výpadku napájení nebo vynechávání některého okruhu.
Dochází k zápachu	• Aromatické potraviny je nutné těsně zabalit.
	• Zkontrolujte, zda není nějaká potravina zkažená.
	• Vyčistěte vnitřní prostor chladničky.
Kompresor je spuštěn dlouho	• Dlouhé spuštění kompresoru je normální v létě,
	• nebo když je okolní teplota příliš vysoká. Nedoporučuje se vkládat do spotřebiče příliš mnoho potravin najednou.
	• Než se potraviny do spotřebiče vloží, je nutné je zchladit.
	• Neotevírejte dveře příliš často.
Světlo nesvíí	• Zkontrolujte, zda je chladnička připojena k napájení a zda není světlo poškozeno.
	• Nechte žárovku vyměnit specialistou.
Dveře nelze dostatečně zavřít.	• Dveřím překáží balení potravin. Uvnitř je příliš mnoho potravin.
	• Chladnička je nakloněna.
Jsou slyšet hlasité zvuky.	• Zkontrolujte, zda je podlaha rovná a zda je chladnička umístěna stabilně.
	• Zkontrolujte, zda je veškeré příslušenství na správném místě.

Problém	Možná příčina
Těsnění dveří nepřiléhá.	<ul style="list-style-type: none"> • Sejměte z těsnění dveří cizí nečistoty. • Zahřejte těsnění dveří a poté jej opět zchladte, aby se vrátilo do původního tvaru (například jej vyfoukejte elektrickým vysoušečem nebo k zahřátí použijte horký ručník).
Nádobka na vodu přetéká.	<ul style="list-style-type: none"> • V oddílu je příliš mnoho potravin nebo uskladněné potraviny obsahují příliš mnoho vody, což vede k silnému odmrazování. • Dveře nejsou řádně zavřeny, což vede k námraze kvůli přívodu vzduchu a většímu množství vody kvůli odmrazování.
Plášť chladničky je horký	<ul style="list-style-type: none"> • Dochází k odvodu tepla vestavěného kondenzátoru přes kryt, což je normální. Zahřívá-li se kryt v důsledku vysoké okolní teploty a skladování příliš velkého množství potravin nebo se vypne kompresor, zajistěte dobré větrání, aby se usnadnil odvod tepla.
Na povrchu dochází ke kondenzaci	<ul style="list-style-type: none"> • Kondenzace na vnějším povrchu a těsnění dveří chladničky je normální, když je okolní vlhkost příliš vysoká. Kondenzát stačí otřít čistým ručníkem.

DODATEK

Speciální poznámka pro novou evropskou normu

Díly k objednání v následující tabulce lze získat od poskytovatele servisu.

Díl k objednání	Kdo jej poskytuje	Minimální doba požadovaná k poskytování
Termostaty	Profesionální specialisté na údržbu	Nejméně 7 let od uvedení posledního modelu na trh
Teplotní senzory	Profesionální specialisté na údržbu	Nejméně 7 let od uvedení posledního modelu na trh
Desky plošných spojů	Profesionální specialisté na údržbu	Nejméně 7 let od uvedení posledního modelu na trh
Žárovky	Profesionální specialisté na údržbu	Nejméně 7 let od uvedení posledního modelu na trh
Madla dveří	Profesionální opraváři a koncoví uživatelé	Nejméně 7 let od uvedení posledního modelu na trh
Závěsy dveří	Profesionální opraváři a koncoví uživatelé	Nejméně 7 let od uvedení posledního modelu na trh
Zásuvky	Profesionální opraváři a koncoví uživatelé	Nejméně 7 let od uvedení posledního modelu na trh
Koše	Profesionální opraváři a koncoví uživatelé	Nejméně 7 let od uvedení posledního modelu na trh
Těsnění dveří	Profesionální opraváři a koncoví uživatelé	Nejméně 10 let od uvedení posledního modelu na trh

Vážený zákazníku,

1. Pokud chcete výrobek vrátit nebo vyměnit, obraťte se na obchod, kde jste jej zakoupili. (Nezapomeňte přinést stvrzenku)
2. Pokud dojde k poruše výrobku a je vyžadována oprava, obraťte se na poskytovatele poprodejních služeb.

UPOZORNĚNÍ

Informace o modelu v databázi výrobků lze stejně jako označení modelu získat prostřednictvím webového odkazu otevřeného naskenováním kódu QR na štítku energetické účinnosti výrobku (nachází-li se tam).

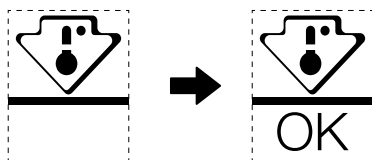
Informace o energetické účinnosti spotřebiče jsou uvedeny na webu <https://ec.europa.eu>, kde je vyhledáte podle názvu modelu.

Název modelu lze nalézt na typovém štítku spotřebiče.

Nejchladnější zóna chladničky

VOLITELNĚ: Indikátor OK-teploty

- Indikátor OK-teploty lze použít k určení teplot pod +4 °C. Pokud není na značce uvedeno „OK“, snižujte postupně teplotu.



- K zajištění teploty tohoto prostoru neměňte umístění police. U chladniček s nuceným oběhem vzduchu (vybavených ventilátorem nebo beznárazových) není symbol nejchladnější zóny uveden, protože teplota uvnitř je homogenní.

Nastavení indikátoru teploty

- Chladnička je vybavena indikátorem teploty, který monitoruje průměrnou teplotu nejchladnější zóny, aby vám to pomohlo chladničku dobře nastavit.
- VÝSTRAHA:** Tento indikátor je určen k fungování pouze s touto chladničkou. Nepoužívejte jej v jiné chladničce (nejchladnější zóny se ve skutečnosti liší) ani k žádnému jinému použití.

Kontrola teploty nejchladnější zóny

- Pomocí indikátoru teploty můžete pravidelně kontrolovat, že je teplota nejchladnější zóny správná. Vnitřní teplota chladničky ve skutečnosti závisí na několika faktorech, jako je okolní teplota v místnosti, množství uložených potravin a frekvence otevírání dveří. Vezměte tyto faktory při nastavování spotřebiče v úvahu.
- Pokud se na indikátoru zobrazuje „OK“, znamená to, že je termostat dobře nastaven a vnitřní teplota je správná.
- Pokud se indikátor teploty změní na BÍLOU barvu, znamená to, že je teplota příliš vysoká. V takovém případě zvýšte nastavení ovládání teploty chladničky a počkejte 12 hodin, než indikátor znovu vizuálně zkontrolujete. Je možné, že indikátor teploty změní dočasně barvu na BÍLOU, když vložíte čerstvé potraviny nebo když dveře zůstanou chvíli otevřené.

ĎAKOVNÝ LIST

Ďakujeme vám, že ste si vybrali značku Midea! Pred prvým použitím vášho nového výrobku Midea si pozorne prečítajte tento návod na obsluhu, aby ste vedeli, ako bezpečne využívať vlastností a funkcie, ktoré váš nový spotrebič ponúka.

OBSAH

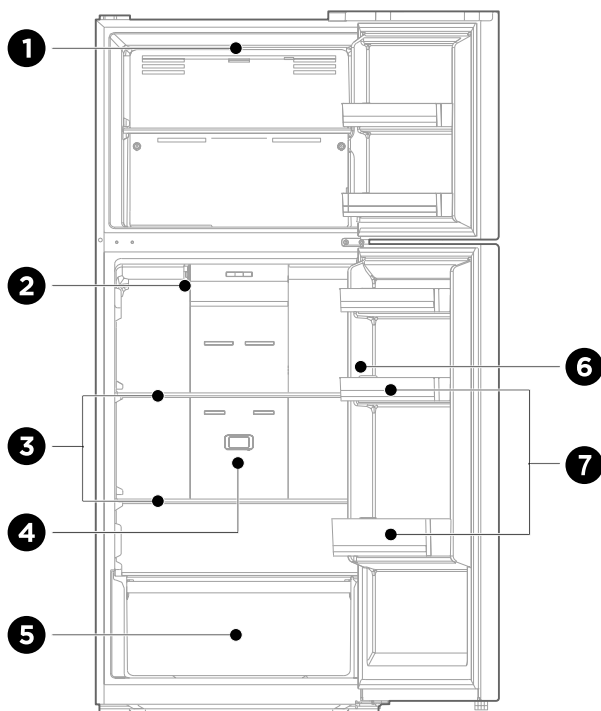
ĎAKOVNÝ LIST	01
TECHNICKÉ PARAMETRE	02
PREHĽAD VÝROBKU	03
INŠTALÁCIA VÝROBKU	04
PREVÁDZKOVÉ POKYNY	11
ČISTENIE A ÚDRŽBA	15
RIEŠENIE PROBLÉMOV	16
PRÍLOHA	18

TECHNICKÉ PARAMETRE

Produktový model	MDRT489MTE
Menovité napätie/frekvencia	220 – 240 V stried./50 Hz
Menovitý prúd	0,7 A
Celkový objem	338 L
Objem priestoru na uloženie čerstvých potravín	254 L
Objem 4-hviezdičkovej priehradky	84 L
Mraziaci výkon	3,9 kg/24 h
Čas zvýšenia teploty	10 hod.
Celkové rozmery (Š x H x V)	595x695x1724 mm
Produktový model	MDRT580MTE
Menovité napätie/frekvencia	220 – 240 V stried./50 Hz
Menovitý prúd	1,5 A
Celkový objem	413 L
Objem priestoru na uloženie čerstvých potravín	306 L
Objem 4-hviezdičkovej priehradky	107 L
Mraziaci výkon	5 kg/24 hod.
Čas zvýšenia teploty	10 hod.
Celkové rozmery (Š x H x V)	700x670x1723 mm
Produktový model	MDRT645MTE
Menovité napätie/frekvencia	220 – 240 V stried./50 Hz
Menovitý prúd	1,2 A
Celkový objem	463 L
Objem priestoru na uloženie čerstvých potravín	356 L
Objem 4-hviezdičkovej priehradky	107 L
Mraziaci výkon	5 kg/24 hod.
Čas zvýšenia teploty	10 hod.
Celkové rozmery (Š x H x V)	700 x 691 x 1880 mm

PREHLAD VÝROBKU

Názvy dielov



- | | | | |
|---|-------------------------|---|--------------------------|
| 1 | Svetlo LED | 5 | Box na ovocie a zeleninu |
| 2 | Posuvný ovládač tlmenia | 6 | Ovládač teploty |
| 3 | Polica | 7 | Dverná zásuvka |
| 4 | Dezodorant | | |

UPOZORNENIE

Hore znázornený obrázok je len ilustračný. Skutočná konfigurácia závisí od reálneho výrobku alebo vyhlásenia distribútora.

SK

INŠTALÁCIA VÝROBKU

Pokyny na inštaláciu

Pre chladiace zariadenia s klimatickou triedou

- V závislosti od klimatickej triedy je toto chladiace zariadenie určené na použitie pri teplote okolia uvedenej v nasledujúcej tabuľke.
- Klimatická trieda je uvedená na typovom štítku. Výrobok nemusí správne fungovať pri teplotách mimo uvedeného rozsahu.
- Klimatická trieda je uvedená na produktovom štítku.

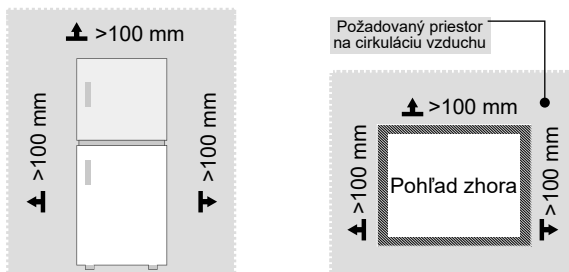
Efektívny rozsah teploty

- Výrobok je určený na bežnú prevádzku pri rozsahu teplôt podľa príslušnej klasifikačnej triedy.

Trieda	Symbol	Rozsah okolitej teploty v °C	
		IEC 62552 (ISO 15502)	ISO 8561
Rozšírená teplota	SN	+10 až +32	+10 až +32
Teplota	N	+16 až +32	+16 až +32
Subtrópy	ST	+16 až +38	+18 až +38
Trópy	T	+16 až +43	+18 až +43

Rozmery a odstupy

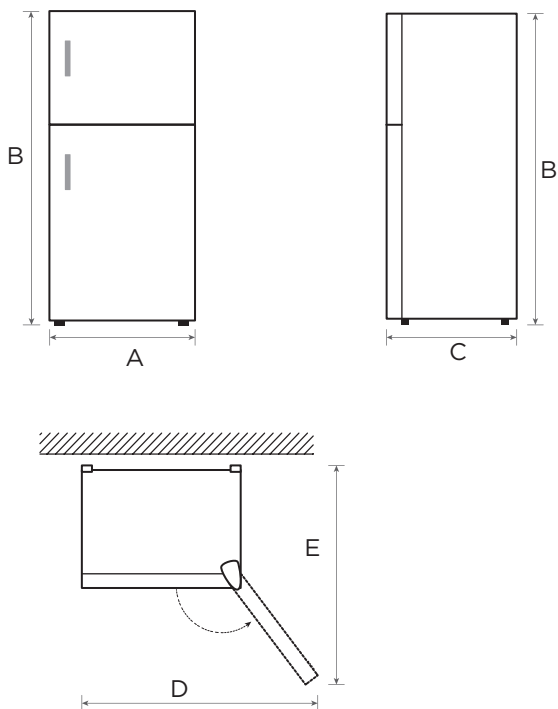
- Dôsledkom príliš malej vzdialenosti od susedných predmetov by mohlo byť zníženie mraziacej výkonnosti a zvýšenie nákladov za elektrinu. Pri inštalácii spotrebiča nechajte vzdialenosť viac ako 100 mm od každej susednej steny.



UPOZORNENIE

Hore znázornený obrázok je len ilustračný. Skutočná konfigurácia závisí od reálneho výrobku alebo vyhlásenia distribútora.

Schéma priestorových nárokov (keď sú dvere otvorené a keď sú dvere zatvorené)



Produktový model	Šírka	Celková výška	Hĺbka	Šírka s dverami otvorenými na 135°	Hĺbka s dverami otvorenými na 135°
	A	B	C	D	E
MDRT489MTE	595	1724	695	997	1137

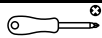
Produktový model	Šírka	Celková výška	Hĺbka	Šírka s dverami otvorenými na 125°	Hĺbka s dverami otvorenými na 125°
	A	B	C	D	E
MDRT580MTE	700	1723	670	1085	1252
MDRT645MTE	700	1880	691	1085	1252

Upozornenie: Všetky rozmery sú v mm

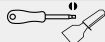
SK

Výmena pravých-ľavých dverok

Zoznam nástrojov poskytnutých používateľovi



Imbusový kľúč – krížový skrutkovač



Skrutkovač s tenkou čepeľou



5/16"palcový nástrčný kľúč



Maskovacia páska

Diely používané pri opačnom umiestnení dverí

SN	Diely	Množstvo
1	Pravý horný pánt	1
2	Kryt pravého vrchného pántu	1
3	Objímka osi vrchného pántu	1
4	Skrutka horného pántu	3
5	Kryt otvoru	1
6	Skrutka prostredného pántu	2
7	Prostredný pánt	1
8	Zástrčka otvoru	2
9	Skrutka stredného nosníka	1
10	Krytka skrutky stredného nosníka	1
11	Nastaviteľná noha	1
12	Skrutka dolného pántu	3
13	Zostava dolného pántu	1
14	Skrutka spodného koncového krytu dverí mrazničky	1
15	Koncový blok spodného koncového krytu dverí mrazničky	1
16	Skrutka spodného koncového krytu dverí chladničky	1
17	Koncový blok spodného koncového krytu dverí chladničky	1
18	Objímka osi horného konca krytu dverí chladničky	1
19	Spodná opora dverí chladničky	1
20	Balík s príslušenstvom	4
21	Samozamykacie pravé dvere	1

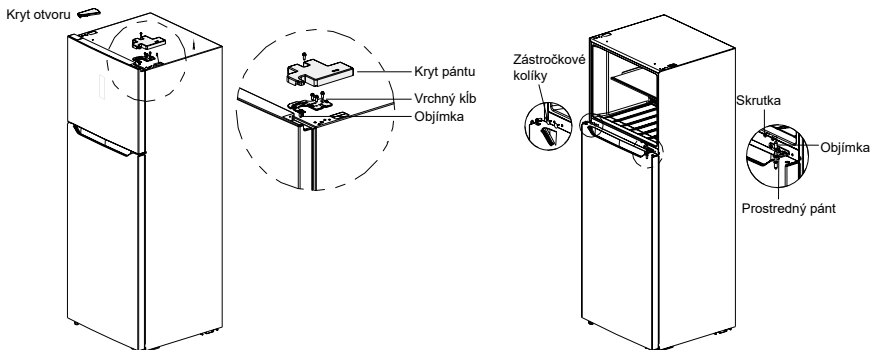
Poznámky:

1-19/Vopred nainštalované na chladničke a používa sa pri zmene dverí

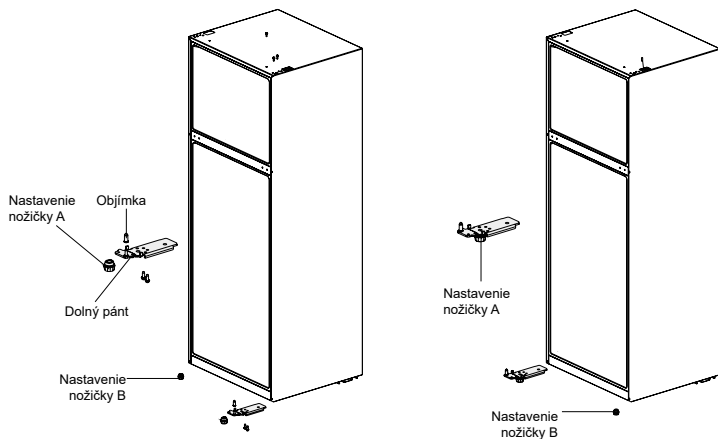
20/Ľavý horný pánt, kryt ľavého horného pántu, Samouzamykanie ľavých dverí, ľavý dekoratívny kryt

21/ Predinštalované na chladničke, odstránené a ponechané pri zmene dverí

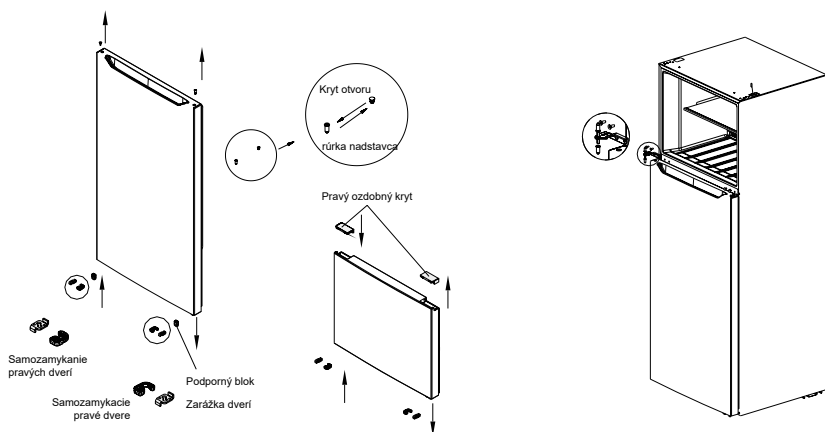
1. Pred vykonaním tejto operácie vypnite spotrebič.
2. Odnímate kryt pántu a priskrutkujte pravú hornú stranu boxu, ako aj horný pánt a kryt otvoru na ľavej strane.



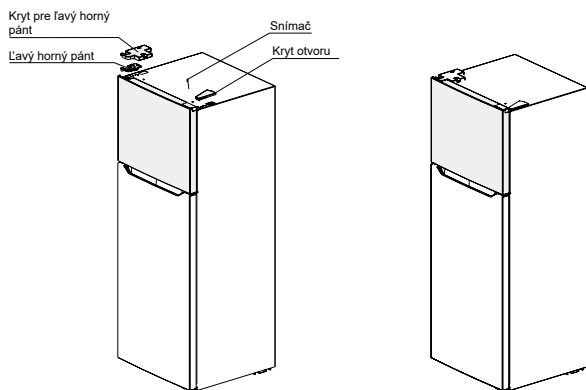
3. Odskrutkujte skrutku pántu, dajte dole stredný pánt a objímku hornej osi, odnímite dva kryty otvorov pántu (zástrčkové kolíky) na strednom pánte a vyberte telo dverí komory chladničky smerom nahor.
4. Nainštalujte os pántu a puzdro osi do ľavého otvoru dolného pántu a potom dolný pánt do ľavého rohu chladničky, potom nastavte nožičku A podľa polohy znázornenej na obrázku a nakoniec nastavovaciu nožičku B na pravý dolný roh chladničky.



5. Demontujte zárazku dverí dvoch korpusov dverí a samoistiace skrutky pravých dverí, potom vyberte samouzamykanie ľavých dverí z vrečka s príslušenstvom a nainštalujte ho do ľavého rohu korpusu dverí spolu so zárazkou dverí. Vyberte spodný podporný blok telesa dverí chladiacej komory a nainštalujte ho do ľavého dolného rohu. Nakoniec vyberte zátku otvoru a puzdro osi pre dvere chladiacej komory a upravte ich polohu a potom ich nainštalujte do telesa dverí. Vyberte pravý dekoratívny kryt na dviere chladiacej komory a vyberte ľavý dekoratívny kryt z vrečka na príslušenstvo a nainštalujte ich.



6. Nainštalujte dvere komory chladničky na spodný pánt, stredný pánt na ľavú stranu chladničky, zatahnite skrutky a dobre umiestnite puzdro osi. Nainštalujte kolík zástrčky do otvoru na strednom nosníku na druhom konci.
7. Nainštalujte dvere mrazničky na stredný pánt, vyberte ľavý horný pánt a kryt ľavého horného pántu z vrečka s príslušenstvom, nainštalujte ľavý pánt a zatahnite skrutky, nainštalujte kryt pre ľavý horný pánt a zatahnite skrutku, nainštalujte pravý snímač do pôvodného krytu ľavého otvoru a potom pripevnite kryt otvoru na pravý box.
8. Po dokončené inštalácie.



UPOZORNENIE

Hore znázornený obrázok je len ilustračný. Skutočná konfigurácia závisí od reálneho výrobku alebo vyhlásenia distribútora.



Vyrovnávacia noha

Prístroj sa musí vyrovnáť, aby nedochádzalo k vibráciám.

Podľa potreby nastavte vyrovnávacie skrutky tak, aby kompenzovali nerovnosti podlahy.

Predná strana by mala byť o niečo vyššie ako zadná, aby sa uľahčilo zatváranie dveriek.

Vyrovnávacie skrutky sa dajú ľahko otáčať po miernom naklonení skrine.

Otáčaním vyrovnávacích skrutiek proti smeru hodinových ručičiek  sa prístroj zdvihne, v smere hodinových ručičiek  sa spustí.

Premiestňovanie spotrebiča

1. Vyberte všetky potraviny zvnútra spotrebiča.
2. Vytiahnite zástrčku napájania zo zásuvky, zaveste ju na určený háčik na zadnej alebo hornej strane spotrebiča a upevnite ju.
3. Pohyblivé diely ako poličky a rukoväti dveriek upevnite páskou, aby pri premiestňovaní nevypadli.
4. Spotrebič premiestňujte opatrne a využite pomoc aspoň dvoch osôb. Keď prepravujete spotrebič na väčšiu vzdialenosť, udržiajte ho v zvislej polohe.
5. Po umiestnení spotrebiča zasuňte zástrčku napájania do zásuvky, aby ste mohli spotrebič zapnúť.

UPOZORNENIE

Preventívne opatrenia pred použitím:

Pred vykonaním zmien je potrebné chladničku odpojiť od napájania.

Mali by sa prijať preventívne opatrenia, aby sa predišlo akémukoľvek zraneniu osôb.

Výmena svetla

- Všetky výmeny alebo údržbu LED svetiel musí robiť výrobca, jeho servisný zástupca alebo podobne kvalifikovaná osoba.

UPOZORNENIE

MDRT489MTE obsahuje zdroj svetla triedy energetickej účinnosti (F).

MDRT580MTE/MDRT645MTE obsahuje dva svetelné zdroje triedy energetickej účinnosti (F).

Pripojenie spotrebiča

Po inštalácii spotrebiča zapojte zástrčku do zásuvky.

UPOZORNENIE

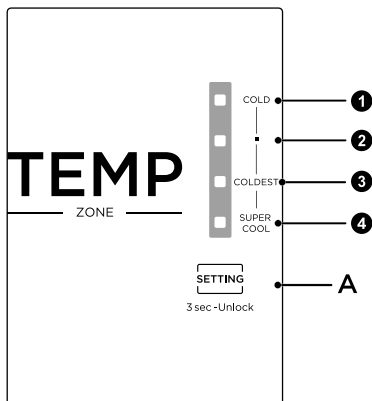
Po zapojení napájacej šnúry (alebo zástrčky) do zásuvky počkajte 2 alebo 3 hodiny, kým do spotrebiča vložíte potraviny. Ak pridáte jedlo pred úplným vychladnutím spotrebiča, jedlo sa môže pokaziť.

Rady na úsporu energie

- Spotrebič neumiestňujte do blízkosti sporákov, radiátorov ani iných zdrojov tepla. Ak je okolitá teplota vysoká, kompresor bude v činnosti častejšie a dlhšie, čo má za následok zvýšenú spotrebu energie.
- Zabezpečte dostatočné vetranie v spodnej časti spotrebiča, po stranách spotrebiča a na zadnej strane spotrebiča. Nikdy nezakrývajte ventilačné otvory.
- Dodržte aj rozmery rozstupov uvedené v kapitole „Inštalácia“.
- Usporiadanie zásuviek, polic a regálov, ako je znázornené na obrázku, ponúka najefektívnejšie využitie energie, a preto by sa malo čo najviac zachovať. Všetky zásuvky a police by mali zostať v spotrebiči, aby sa udržala stabilná teplota a šetrila sa energia.
- Pre získanie väčšieho úložného priestoru (napr. pre veľké chladené/mrazené tovary) je možné stredné zásuvky vybrať. Horné a spodné zásuvky a police by mali byť v prípade potreby odstránené ako posledné.
- K optimálnemu využitiu energie prispieva rovnomerne naplnený priestor chladničky/mrazničky. Vyhnite sa preto prázdny alebo poloprázdny priehradkám.
- Teplé jedlo nechajte pred vložením do chladničky/mrazničky vychladnúť. Potraviny, ktoré už vychladli, zvyšujú energetickú účinnosť.
- Zmrazené potraviny nechajte rozmraziť v chladničke. Chlad mrazených potravín znižuje spotrebu energie v chladiacom priestore a tým zvyšuje energetickú účinnosť.
- Dvere otvárajte len na takú krátku dobu, ako je potrebné, aby ste minimalizovali straty chladu. Krátke otvorenie dvierok a ich správne zatvorenie znižuje spotrebu energie.
- Tesnenie dvierok vášho spotrebiča musí byť dokonale neporušené, aby sa dvierka správne zatvárali a zbytočne sa nezvyšovala spotreba energie.

PREVÁDZKOVÉ POKYNY

Ovládací panel



Tlačidlo

- Nastavenie 1 (COLD)
- Nastavenie 2 (MID)
- Nastavenie 3 (COLDEST)
- Nastavenie 4 (SUPER COOL)
- Nastavenie A (tlačidlo nastavenia teploty chladiacej komory)

UPOZORNENIE

Skutočný ovládací panel sa medzi jednotlivými modelmi môže líšiť.

Displej

- Pri prvom pripojení chladničky k napájaniu sa displej úplne rozsvieti na 3 sekundy a potom chladnička pokračuje v prevádzke podľa nastavenia 3. V prípade poruchy bliká príslušný LED indikátor. Ak nie sú žiadne poruchy, zobrazuje sa nastavenie teploty v chladničke.

Kód chyby	Popis chyby
Nastavenie indikátora 3 a 4	Porucha teplotného snímača chladiacej komory
Nastavenie indikátora 2 a 4	Porucha snímača rozmrazovania v mraziacej komore
Nastavenie indikátora 1 a 4	Porucha snímača okolitej teploty

SK

Nastavenie teploty

- Pri každom stlačení tlačidla nastavenia teploty (A) sa nastavenie teploty raz zmení. Po dokončení nastavenia teploty bude chladnička po 15 sekundách fungovať podľa nastavenia.
- Nastavenie sa mení v tomto poradí:

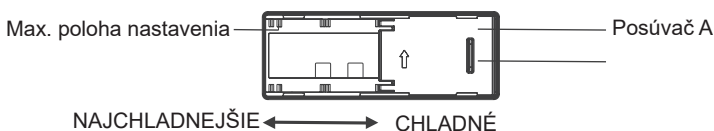


Uzamknutie/Odomknutie

- Stlačením a podržaním tlačidla TEMP na 3 sekundy sa odomkne a po 30 sekundách nečinnosti sa automaticky uzamkne.

Posuvný ovládač tlmenia

- Teplotu vo vnútri mrazničky je možné nastaviť zmenou polohy posúvača klapky. Počiatočná poloha posúvača klapky je v polohe A. Ak je požadovaná nižšia teplota vo vnútri mrazničky, môžete posúvač klapky nastaviť z polohy A doľava.
- Na dosiahnutie lepšieho využívania chladničky odporúčame ponechať posúvač v pôvodnej polohe.



Zastavenie používania

- **Výpadok energie:** V prípade výpadku prúdu (aj v lete), môžete potraviny vo vnútri spotrebiča uchovávať niekoľko hodín. Počas výpadku energie je potrebné redukovať počet otvorení dverí a do spotrebiča sa už nesmú dávať čerstvé potraviny.
- **Dlhodobé nepoužívanie:** Spotrebič je potrebné odpojiť a vyčistiť. Dvere treba nechať otvorené, aby nevznikal zápach.

Tipy k uchovávaniu potravín

Mraziaci priestor

- Mraznička je určená na skladovanie potravín zmrazených pri veľmi nízkej teplote, dlhodobé skladovanie mrazených potravín a na výrobu ľadu.
- Police vo dverách mrazničky používajte iba na skladovanie mrazených potravín, nie na skladovanie teplých potravín určených na mrazenie.
- Nekladte čerstvé a mrazené potraviny vedľa seba. Mrazené potraviny sa môžu rozmraziť.
- Pri zmrazovaní čerstvých potravín (ako je mäso, ryby alebo sekané mäso) ich nakrájajte na časti, ktoré je možné použiť súčasne.
- Skladovanie mrazených potravín: na obaloch sú zvyčajne uvedené pokyny, ktoré je potrebné dodržiavať. Ak na obale nie sú žiadne informácie, potraviny by sa nemali skladovať dlhšie ako tri mesiace od dátumu nákupu.
- Pri nákupe mrazených potravín sa uistite, že boli zmrazené na vhodnú teplotu a či obal nie je poškodený.
- Zmrazené potraviny by sa mali uchovávať vo vhodných obaloch, aby sa zachovala ich kvalita a mali by sa čo najskôr vrátiť do mraziaceho priestoru.
- Ak balenie mrazených potravín vykazuje vlhkosť alebo abnormálne vydutie, je pravdepodobné, že bolo skladované pri nesprávnej teplote a obsah je pokazený.
- Doba skladovania mrazených potravín závisí od izbovej teploty, nastavenia termostatu, frekvencie otvárania dvierok mrazničky, druhu potravín a času prepravy výrobku z obchodu do domácnosti. Vždy dodržiavajte pokyny vytlačené na obale a nikdy neprekračujte maximálnu dobu skladovania uvedenú na obale.

Chladiaci priestor

- V rámci zníženia vlhkosti a následného vytvárania ľadu nikdy nekladajte tekutiny do chladničky v neutesených nádobách. Mráz má tendenciu koncentrovať sa v najchladnejších častiach výparníka. Skladovanie nezakrytých tekutín má za následok častejšiu potrebu rozmrazovania.
- Do chladničky nikdy nekladajte teplé jedlá. Tie by mali najskôr vychladnúť pri izbovej teplote a potom ich treba umiestniť tak, aby bola zabezpečená dostatočná cirkulácia vzduchu v chladničke.
- Potraviny alebo nádoby na potraviny by sa nemali dotýkať zadnej steny chladničky, pretože by mohli primrznúť k stene. Neotvárajte dvere chladničky príliš často.
- Mäso a čisté ryby (zabalené v obale alebo plastovej fólii) môžete vložiť do chladničky, spotrebujte ich do 1 až 2 dní.
- Ovocie a zeleninu bez obalu je možné umiestniť do časti určenej na čerstvé ovocie a zeleninu.

UPOZORNENIE

Optimálne nastavenie teploty každej priehradky závisí od teploty okolia. Vyššia než optimálna teplota vychádza z teploty okolia 25 °C.

SK

Poradie	TYP priehradky	Cieľová skladovacia tepl. [°C]	Vhodné potraviny
1	Chladnička	+2 ~ +8	Vajíčka, varené potraviny, balené potraviny, ovocie a zelenina, mliečne výrobky, zákusky, nápoje a iné potraviny nevhodné na zmrazenie.
2	(***)*-Mraznička	≤-18	Morské plody (ryby, krevety, mäkkýše), sladkovodné produkty a mäsové výrobky (odporúčané na 3 mesiace, čím dlhšie trvá skladovanie, tým horšia je chuť a nutričná hodnota), vhodné na mrazenie čerstvých potravín.
3	***-Mraznička	≤-18	Morské plody (ryby, krevety, mäkkýše), sladkovodné produkty a mäsové výrobky (odporúčané na 3 mesiace, čím dlhšie trvá skladovanie, tým horšia je chuť a nutričná hodnota), vhodné na mrazenie čerstvých potravín.
4	** -Mraznička	≤-12	Morské plody (ryby, krevety, mäkkýše), sladkovodné produkty a mäsové výrobky (odporúčané na 3 mesiace, čím dlhšie trvá skladovanie, tým horšia je chuť a nutričná hodnota), vhodné na mrazenie čerstvých potravín.
5	*-Mraznička	≤-6	Morské plody (ryby, krevety, mäkkýše), sladkovodné produkty a mäsové výrobky (odporúčané na 3 mesiace, čím dlhšie trvá skladovanie, tým horšia je chuť a nutričná hodnota), vhodné na mrazenie čerstvých potravín.
6	0 hviezdíček	-6 ~ 0	Čerstvé bravčové, hovädzie, ryby, kuracie mäso, niektoré balené spracované potraviny atď. (odporúča sa zjesť v ten istý deň, najlepšie nie viac ako 3 dni). Čiastočne uzavreté spracované potraviny (potraviny, ktoré sa nezmrazujú).
7	Okolo nuly	-2 ~ +3	Čerstvé/mrazené bravčové, hovädzie, hydina, produkty z čistej vody atď. (7 dní pod 0 °C a nad 0 °C sa odporúča skonzumovať ešte v ten istý deň, ideálne nie dlhšie ako 2 dni). Morské plody (pod 0 na 15 dní, nie je vhodné skladovať nad 0 °C).
8	Čerstvé potraviny	0 ~ +4	Čerstvé bravčové, hovädzie, ryby, kuracie mäso, varené jedlo atď. (Odporúča sa jesť v ten istý deň, najlepšie nie dlhšie ako 3 dni)
9	Víno	+5 ~+20	Červené víno, biele víno, šumivé víno atď.

UPOZORNENIE

rôzličné potraviny, ktoré si zakúpíte, skladujte v rôznych priehradkách alebo podľa cieľovej skladovacej teploty.

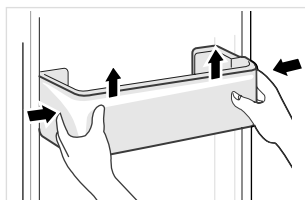
ČISTENIE A ÚDRŽBA

Odmrazovanie

- Chladnička je vyrobená na princípe chladenia vzduchom a má teda funkciu automatického odmravovania. Námrazu vytvorenú v dôsledku zmeny ročného obdobia alebo teploty je možné odstrániť aj ručne odpojením spotrebiča od napájania alebo utretím suchým uterákom.

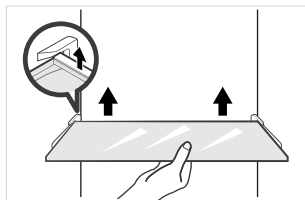
Čistenie zásobníka na dverách

- Podľa smerovej šípky na obrázku nižšie stlačte zásobník dvoma rukami a vytlačte ho smerom hore, aby sa dal vytiahnuť.
- Po umytí zásuvky môžete jej inštaláciu výšku upraviť podľa svojich požiadaviek.



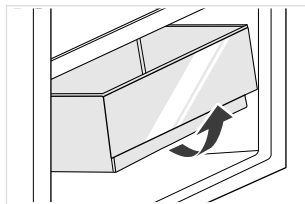
Čistenie sklenených polic

- Pretože najvulnerablejšia časť vložky chladničky, v ktorej je kontakt s policami, má spätný doraz, zdvihnete police smerom hore a potom ju budete môcť vybrať.
- Upravte alebo vyčistite poličky podľa svojich potrieb.



Čistenie priehradky na zeleninu

1. Vyberte obsah priehradky. Držte rukoväť priehradky na zeleninu a úplne ju vytiahnite, kým sa nezastaví.
2. Zdvihnite priehradku na zeleninu nahor a ťahom ju vyberte von.



UPOZORNENIE

Na čistenie sa odporúčajú mäkké uteráky alebo špongia namočená vo vode a neagresívne neutrálne čistiace prostriedky. Mravníčka sa nakoniec vyčistí čistou vodou a suchou handričkou. Pred opätovným zapnutím otvorte dvere a nechajte prirodzene vyschnúť. Nepoužívajte tvrdé kefy, čistiace ocelové guľôčky, drôtené kefy, abrazívne prostriedky (napríklad zubné pasty), organické rozpúšťadlá (napríklad alkohol, acetón, banánový olej atď.), vriacu vodu, kyslé ani zásadité predmety, ktoré môžu poškodiť povrch chladničky a interier.

RIEŠENIE PROBLÉMOV

Nasledujúce jednoduché problémy dokáže vyriešiť samotný používateľ. Ak sa problémy nepodarí vyriešiť, obráťte sa na oddelenie popredajných služieb.

Problém	Možná príčina
Porucha prevádzky	<ul style="list-style-type: none">• Skontrolujte, či je spotrebič zapojený do zásuvky a či má zástrčka dobrý kontakt.
	<ul style="list-style-type: none">• Skontrolujte, či nie je napätie nízke.
	<ul style="list-style-type: none">• Skontrolujte, či nedošlo k výpadku napájania alebo či nedošlo k poruche čiastkových obvodov.
Zápach	<ul style="list-style-type: none">• Zapáchajúce potraviny je potrebné tesne uzavrieť.
	<ul style="list-style-type: none">• Skontrolujte, či v chladničke nie sú zhnité potraviny.
	<ul style="list-style-type: none">• Vyčistite vnútro chladničky.
Dlhodobá prevádzka kompresora	<ul style="list-style-type: none">• Dlhá prevádzka chladničky je v lete normálna,
	<ul style="list-style-type: none">• keď je vysoká teplota prostredia. Nie je vhodné skladovať v zariadení príliš veľa potravín naraz.
	<ul style="list-style-type: none">• Jedlo musí byť pred vložením do spotrebiča vychladnuté.
	<ul style="list-style-type: none">• Dvere sa otvárajú príliš často.
Svetlá nesvietia	<ul style="list-style-type: none">• Skontrolujte, či je chladnička pripojená k zdroju napájania a či nie je poškodený svetelný indikátor.
	<ul style="list-style-type: none">• Svetlo musí vymieňať odborník.
Je možné, že dvierka nie sú dobre zatvorené	<ul style="list-style-type: none">• Dvere sú držané balíkmi potravín. Vložené príliš veľké množstvo potravín.
	<ul style="list-style-type: none">• Chladnička je naklonená.
Hlasné zvuky	<ul style="list-style-type: none">• Skontrolujte, či je podlaha rovná a či je chladnička umiestnená stabilne.
	<ul style="list-style-type: none">• Skontrolujte, či je príslušenstvo umiestnené na správnom mieste.

Problém	Možná příčina
Dvere netesnia	<ul style="list-style-type: none"> • Odstráňte cudzorodé predmety z tesnenia dverí. • Zahrejte tesnenie dverí a potom ho ochladte na obnovenie (alebo ho ofúknite fénom alebo na zahriatie použite horúci uterák).
Pretečenie zásobníka na vodu	<ul style="list-style-type: none"> • V komore je príliš veľa jedla alebo skladované potraviny obsahujú príliš veľa vody, čo vedie k silnému rozmrazovaniu. • Dvere nie sú správne zatvorené, čo vedie k zamrznutiu v dôsledku vstupu vzduchu a zvýšeniu množstva vody v dôsledku rozmrazovania.
Horúci povrch	<ul style="list-style-type: none"> • Cez kryt dochádza k vyžarovaniu tepla zo vstavaného kondenzora, toto je normálne. Ak sa kryt spotrebiča rozhorúči kvôli vysokej teplote prostredia, nie je vhodné skladovať príliš veľa potravín, lebo kompresor sa môže vypnúť. Uľahčite rozptyl tepla vhodným vetraním.
Kondenzácia na povrchu	<ul style="list-style-type: none"> • Kondenzácia na vonkajšom povrchu a tesnení dverí chladničky je normálna, keď je okolitá vlhkosť príliš vysoká. Jednoducho utrite kondenzát čistým uterákom.

PRÍLOHA

Špeciálne pre novú európsku normu

V nasledujúcej tabuľke sú uvedené diely, ktoré je možné objednať prostredníctvom poskytovateľa servisu.

Objednávaný diel	Poskytuje	Minimálny čas potrebný na poskytnutie
Termostaty	Profesionálny pracovník údržby	Najmenej 7 rokov po uvedení posledného modelu na trh
Snímače teploty	Profesionálny pracovník údržby	Najmenej 7 rokov po uvedení posledného modelu na trh
Dosky s plošnými spojmi	Profesionálny pracovník údržby	Najmenej 7 rokov po uvedení posledného modelu na trh
Svetelný zdroj	Profesionálny pracovník údržby	Najmenej 7 rokov po uvedení posledného modelu na trh
Rukováti dverí	Profesionálni opravári a koncoví používatelia	Najmenej 7 rokov po uvedení posledného modelu na trh
Pánty dverí	Profesionálni opravári a koncoví používatelia	Najmenej 7 rokov po uvedení posledného modelu na trh
Podnosy	Profesionálni opravári a koncoví používatelia	Najmenej 7 rokov po uvedení posledného modelu na trh
Košé	Profesionálni opravári a koncoví používatelia	Najmenej 7 rokov po uvedení posledného modelu na trh
Tesnenia dverí	Profesionálni opravári a koncoví používatelia	Najmenej 10 rokov po uvedení posledného modelu na trh

Vážení zákazníci!

1. Ak chcete výrobok vrátiť alebo vymeniť, obráťte sa na obchod, v ktorom ste ho kúpili. (Nezabudnite priniesť doklad o zakúpení)
2. Ak sa váš výrobok pokazí a je potrebné ho opraviť, kontaktujte poskytovateľa popredajného servisu.

UPOZORNENIE

Informácie o modeli v databáze produktov a identifikátor modelu je možné získať prostredníctvom webového prepojenia naskenovaného pomocou kódu QR, ak je uvedený na štítku energetickej účinnosti výrobku.

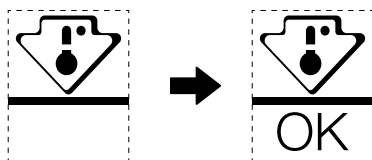
Ďalšie informácie o energetickej účinnosti spotrebiča nájdete na stránke <https://ec.europa.eu> a vyhľadajte si podrobnosti podľa názvu modelu.

Názov modelu sa nachádza na typovom štítku spotrebiča.

Najchladnejšia zóna v chladničke

VOLITEĽNÝ DOPLNOK: indikátor teploty – OK

- Indikátor teploty – OK je možné použiť na určenie, či je teplota pod +4 °C. Teplotu je možné postupne znižovať, ak indikátor nezobrazuje „OK“.



- Ak chcete zaistiť teplotu v tejto oblasti, nemeňte umiestnenie police. Pre chladničky s núteným obehom vzduchu (vybavené ventilátorom alebo modely bez mrazenia) symbol najchladnejšej zóny nie je znázornený, pretože teplota vo vnútri je homogénna.

Nastavenie indikátora teploty

- V rámci dobrého nastavenia je chladnička vybavená indikátorom teploty, ktorý bude sledovať priemernú teplotu v najchladnejšej zóne.
- VÝSTRAHA:** Tento indikátor je určený len pre vašu chladničku, nepoužívajte ho v inej chladničke (v skutočnosti najchladnejšia zóna nie je rovnaká) ani na žiadne iné účely.

Overenie teploty v najchladnejšej zóne

- Vďaka indikátoru teploty môžete pravidelne kontrolovať, či je teplota v najchladnejšej zón správna. Vnútorná teplota chladničky v skutočnosti závisí od niekoľkých faktorov, ako je teplota okolia v miestnosti, množstvo uložených potravín a frekvencia otvárania dverí. Pri nastavení spotrebiča zoberte tieto faktory do úvahy.
- Keď indikátor ukazuje «OK», znamená to, že termostat je dobre nastavený a vnútorná teplota je správna.
- Ak sa indikátor teploty zmení na BIELY, znamená to, že teplota je príliš vysoká; v takom prípade zvýšte nastavenie ovládania teploty chladničky a počkajte 12 hodín pred vykonaním novej vizuálnej kontroly indikátora. Po vložení čerstvých potravín alebo ponechaní otvorených dverí je možné, že sa ukazovateľ teploty po chvíli zmení na BIELY.



make yourself at home



www.midea.com

© Midea 2022 all rights reserved