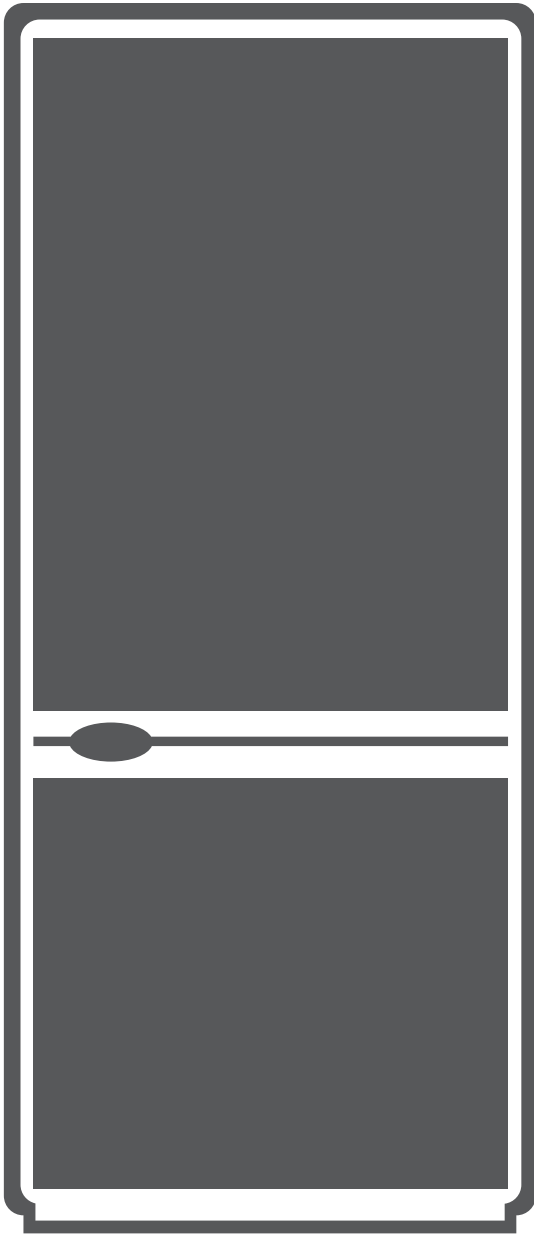




REFRIGERATOR

BOTTOM FREEZER



- USER'S MANUAL
- ΕΓΧΕΙΡΙΔΙΟ ΧΡΗΣΗΣ

MODELS:
PSNF18860IN
PSNF18860W



Contents

1. SAFETY WARNINGS	3
2. INSTALLATION.....	4
2.1 Location	4
2.2 Door Handle Install Illumination (optional).....	4
2.3 Door Right-Left Change	6
2.4 Door Space Requirements	9
2.5 Levelling the Unit.....	9
2.6 Cleaning Before Use	9
2.7 Before Using Your Unit.....	9
2.8 Interior Accessories.....	10
3. PRODUCT OVERVIEW	11
4. OPERATION.....	12
4.1 Operation Instructions	12
4.2 Noise Inside the Unit!	13
4.3 Tips for Keeping Food in the Unit.....	13
5. CLEANING	14
5.1 Defrosting.....	14
5.2 Cleaning the Interior and the Exterior of the Unit	14
5.3 Cleaning Tips.....	14
6. MAINTENANCE	14
6.1 Changing the Internal Light.....	14
6.2 Care When Handling / Moving Your Unit	14
6.3 Servicing	14
6.4 Switching Off for Long Periods of Time	14
6.5 Do not shield positions of air outlet and return air inlet of the refrigerator ...	15
7. Trouble shooting.....	15
7.1 Warm tips:	15
8. TIPS FOR ENERGY SAVING	16
9. DISPOSAL	17

1. SAFETY WARNINGS

- 1) **WARNING** - Keep ventilation openings, in the appliance enclosure or in the built-in structure, clear of obstruction.
- 2) **WARNING** - Do not use mechanical devices or other means to accelerate the defrosting process, other than those recommended by the manufacturer.
- 3) **WARNING** - Do not damage the refrigerant circuit.
- 4) **WARNING** - Do not use electrical appliances inside the food storage compartments of the appliance, unless they are of the type recommended by the manufacturer.
- 5) The appliance has to be unplugged after use and before carrying out user maintenance on the appliance.
- 6) This appliance can be used by children aged from 8 years and above and persons with reduce physical sensory or mental capabilities or lack of experience and knowledge if they have been given supervision or instruction concerning use of the appliance in a safe way and understand the hazards involved. Children shall not play with the appliance. Cleaning and user maintenance shall not be made by children without supervision.
- 7) If the supply cord is damaged, it must be replaced by the manufacturer, its service agent or similarly qualified persons in order to avoid a hazard.
- 8) Please abandon the refrigerator according to local regulators for it use flammable blowing gas and refrigerant.
- 9) Please according to local regulations regarding disposal of the appliance for its flammable refrigerant and blowing gas. Before you scrap the appliance, please take off the doors to prevent children trapped.
- 10) This appliance is intended to be used in household and similar applications such as
 - staff kitchen areas in shops, offices and other working environments;
 - farm houses and by clients in hotels, motels and other residential type environments;
 - bed and breakfast type environments;
 - catering and similar non-retail applications.
- 11) Do not store explosive substances such as aerosol cans with a flammable propellant in this



IT IS HAZARDOUS FOR ANYONE OTHER THAN AUTHORISED SERVICE PERSONNEL TO CARRY OUT SERVICING OF REPAIRS WHICH INVOLVE THE REMOVAL OF COVERS.



TO AVOID THE RISK OF AN ELECTRICAL SHOCK DO NOT ATTEMPT REPAIRS YOURSELF.

2. INSTALLATION

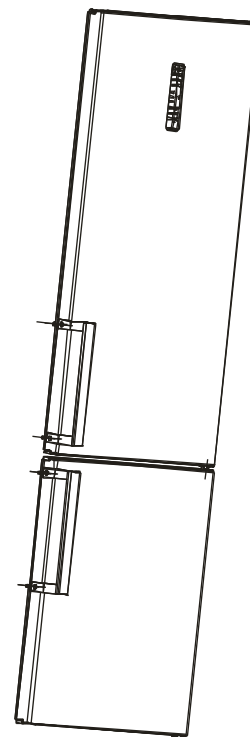
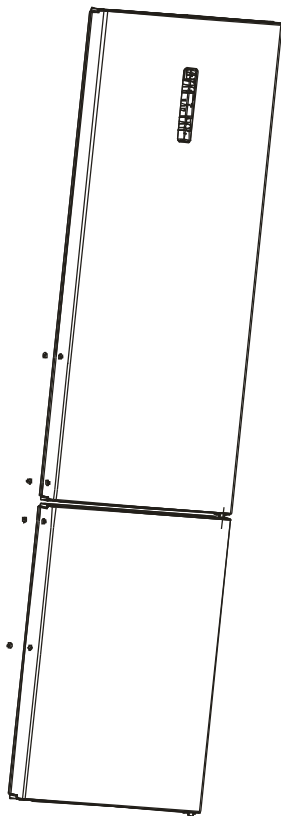
2.1 Location

When selecting a position for your unit you should make sure the floor is flat and firm, and the room is well ventilated. Avoid locating your unit near a heat source, e.g. cooker, boiler or radiator. Also avoid direct sunlight as it may increase the electrical consumption. Extreme cold ambient temperatures may also cause the unit not to perform properly. This unit is not designed for use in a garage or outdoor installation. Do not drape the unit with any covering.

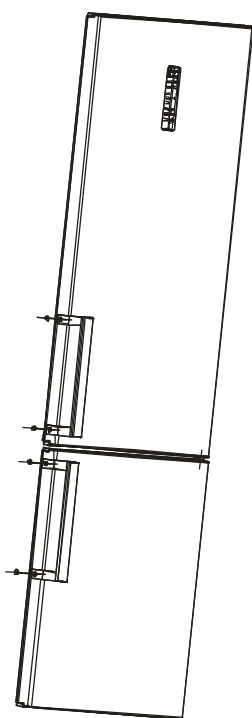
When installing the unit, ensure that 10 cm of free space is left at both sides, 10 cm at the rear and 30 cm at the top of the unit.

2.2 Door Handle Install Illumination (optional)

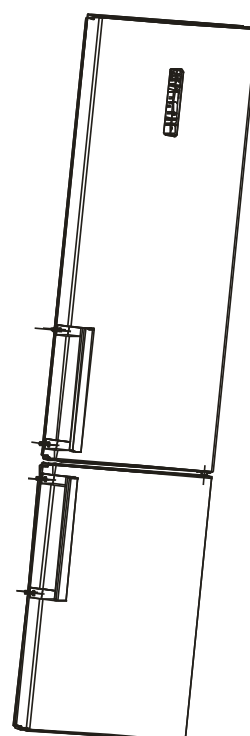
- 1) Take out the screw caps from the door handle holes.
- 2) Put the handles into the screw holes and then hit them to fix .



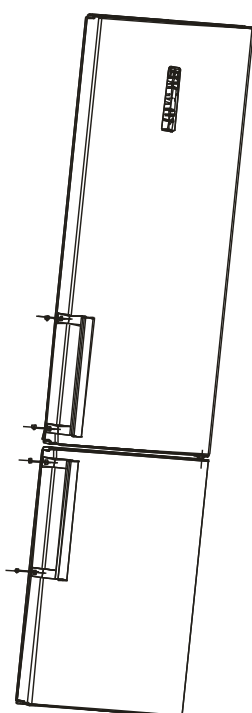
3) Cap the screw caps on the handle screws



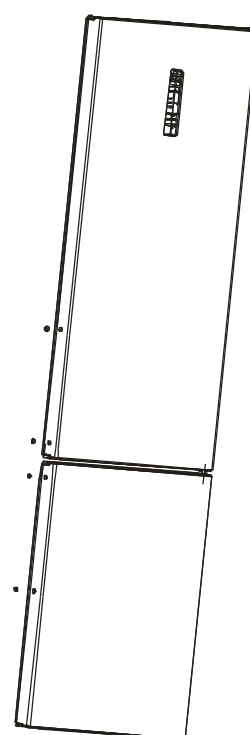
5) Remove the screw and take the handle down.



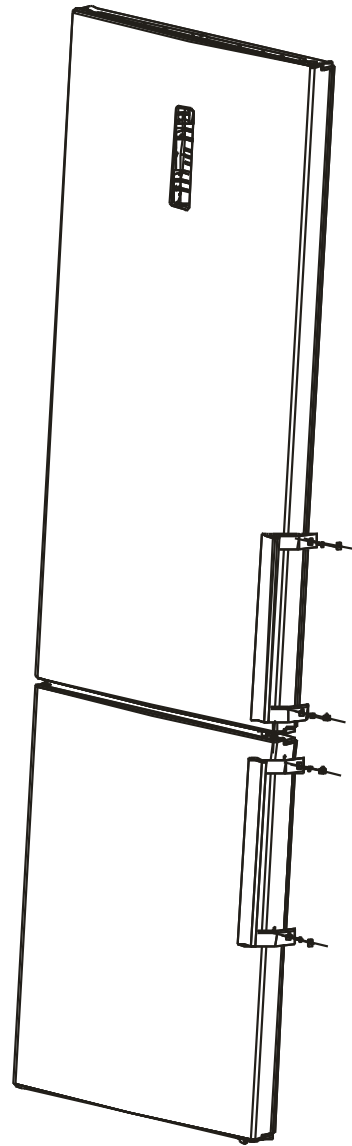
4) Take out the screw caps from the handle screw holes.







6) Cap the screw caps on the door handle holes again.



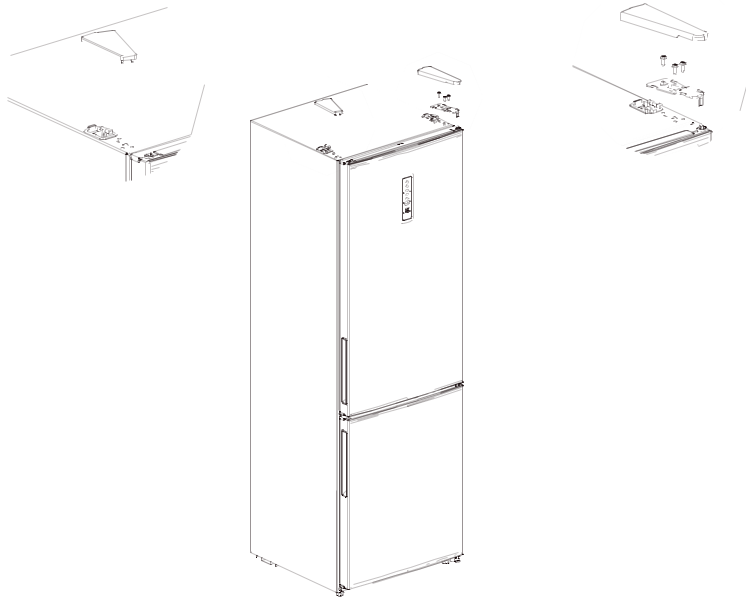
- 7) Install the handles into the door handle holes of the other side in accordance with the handle installation instructions.



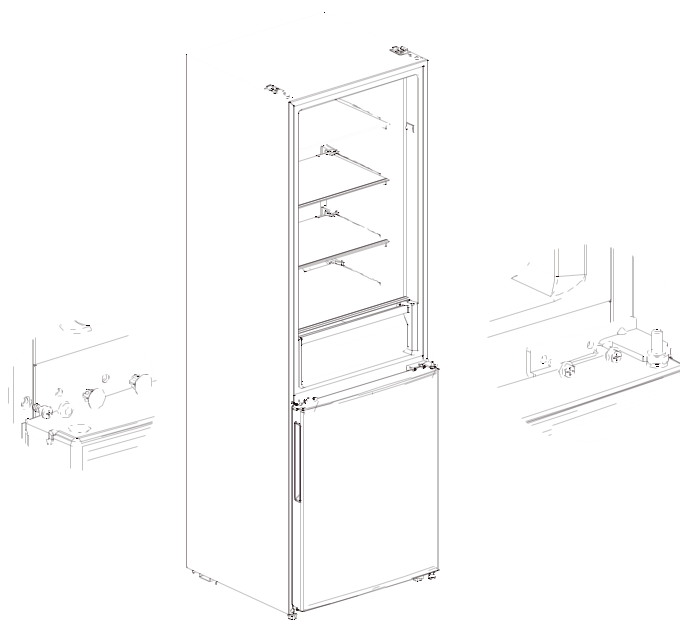
2.3 Door Right-Left Change

List of tools to be provided by the user			
	Cross screwdriver		Putty knife thin-blade screwdriver
	5/16" socket and ratchet		Masking tape

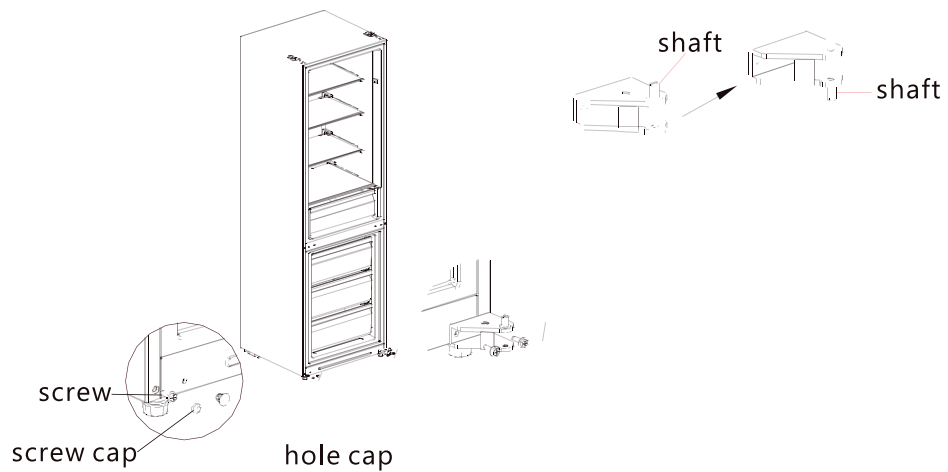
1. Power off the refrigerator, and remove all objects from the door trays.
2. Dismantle upper hinge cover, disconnect the signal wires, upper hinge and hole cap of the other side, remove the refrigerating door.



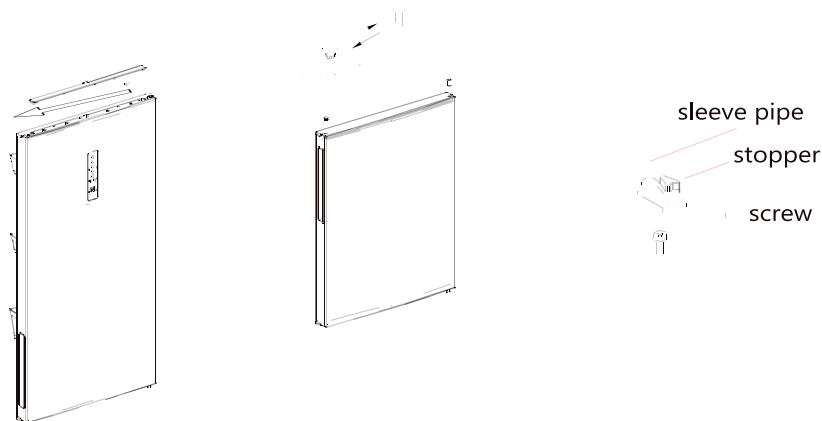
3. Dismantle the middle hinge, the screws, the screws hole caps and remove the freezer door.



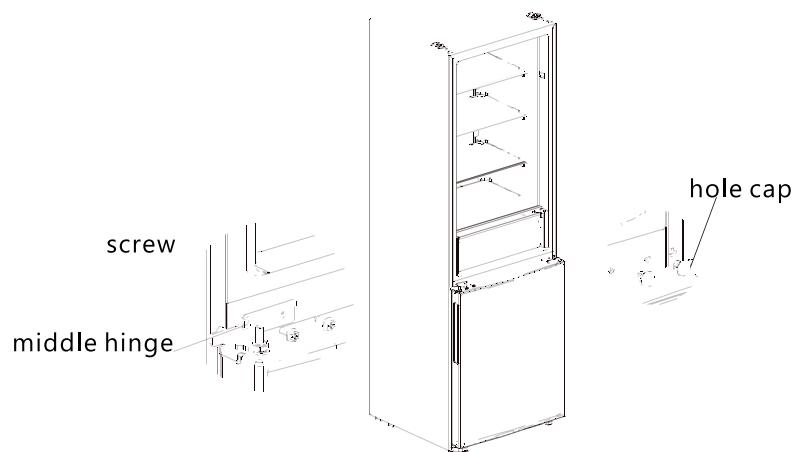
4. Dismantle the bottom hinge, hole caps and screws, Install the bottom hinge shaft on other side of the bottom hinge, then install the hinge on the other side.



5. Dismantle the screws, sleeve pipe and stopper on the lower end cover of the two door bodies, and install them successively on the other side of the door bodies (the stopper needs to be replaced from the additional bag). Then remove the upper end cover of the cooler door and switch the wire harness with a sleeve pipe to the other side of the door body. Finally install the sleeve pipe of the upper hinge on the cooler door in the hole on the other side of upper end cover of the cooler door.

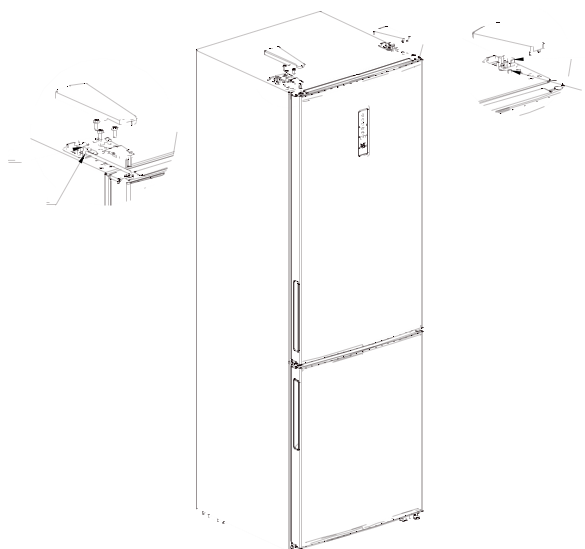


6. Put the freezer door on bottom hinge, install the middle hinge, the screws and the screw hole caps.



! (The picture above is only for reference. The actual configuration will depend on the physical product or statement by the distributor)

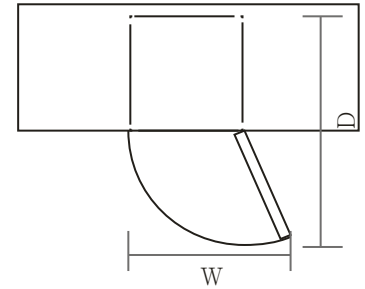
7. Place the door body for the refrigerator compartment on the middle hinge, then install the upper hinge to the other side of the cabinet, finally connect the terminals 1, 2 for the signal wires at the side of the upper hinge and terminals 3, 4 on the other side and cover the hinge cover and hole cover.



2.4 Door Space Requirements

The unit's door must be able to open fully as shown.

W x D ≥ 990X 1025mm



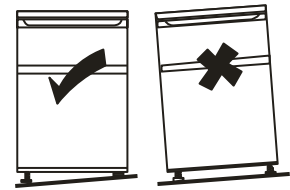
2.5 Levelling the Unit

To do this adjust the two levelling feet at the front of the unit.

If the unit is not level, the door and magnetic seal alignments will not be covered properly.

Make sure that the foot touches the ground before use.

Look down from the top, clockwise and counterclockwise loosening, tightening.



2.6 Cleaning Before Use

Wipe the inside of the unit with a weak solution of bicarbonate soda. Then rinse with warm water using a 'Wrung-out' sponge or cloth. Wash the shelves and salad bin in warm soapy water and dry completely before replacing in the unit. Clean the exterior of the unit with a damp cloth.

If you require more information refer to the Cleaning section.

2.7 Before Using Your Unit

The refrigerator adopts 220~240V/50Hz AC power, voltage fluctuations over the range of 187 ~ 264V will cause malfunction or even damage.

Do not damage the power cord under any condition so as to ensure safety use, do not use when the power cord is damaged or the plug is worn.

Do not put flammable, explosive, volatile and highly corrosive items in the refrigerator to prevent damages to the product or fire accidents.

Do not place flammable items near the refrigerator to avoid fires.

This product is household refrigerators and shall be only suitable for the storage of foods. According to national standards, household refrigerators shall not be used for other purposes, such as storage of blood, drugs or biological products.

Do not place items such as bottled or sealed container of fluid such as bottled beers and beverages in the freezer to prevent bursts and other losses.

Before placing any food in your unit, turn it on and wait for 24 hours, to make sure it is working properly and to allow it time to fall to the correct temperature. Your unit should not be overfilled. Do not damage the power cord under any condition so as to ensure safety use, do not use when the power cord is damaged or the plug is worn.

Do not put flammable, explosive, volatile and highly corrosive items in the refrigerator to prevent damages to the product or fire accidents.

Do not place flammable items near the refrigerator to avoid fires.

This product is household refrigerators and shall be only suitable for the storage of foods. According to national standards, household refrigerators shall not be used for other purposes, such as storage of blood, drugs or biological products.

Do not place items such as bottled or sealed container of fluid such as bottled beers and beverages in the freezer to prevent bursts and other losses.



◆ **Before Plugging in**

You must check that you have a socket which is compatible with the plug supplied with the unit.

◆ **Before Turning On!**

Do not turn on until two hours after moving the unit.

2.8 Interior Accessories

Various glass or plastic storage shelves are included with your appliance - different models have different combinations.

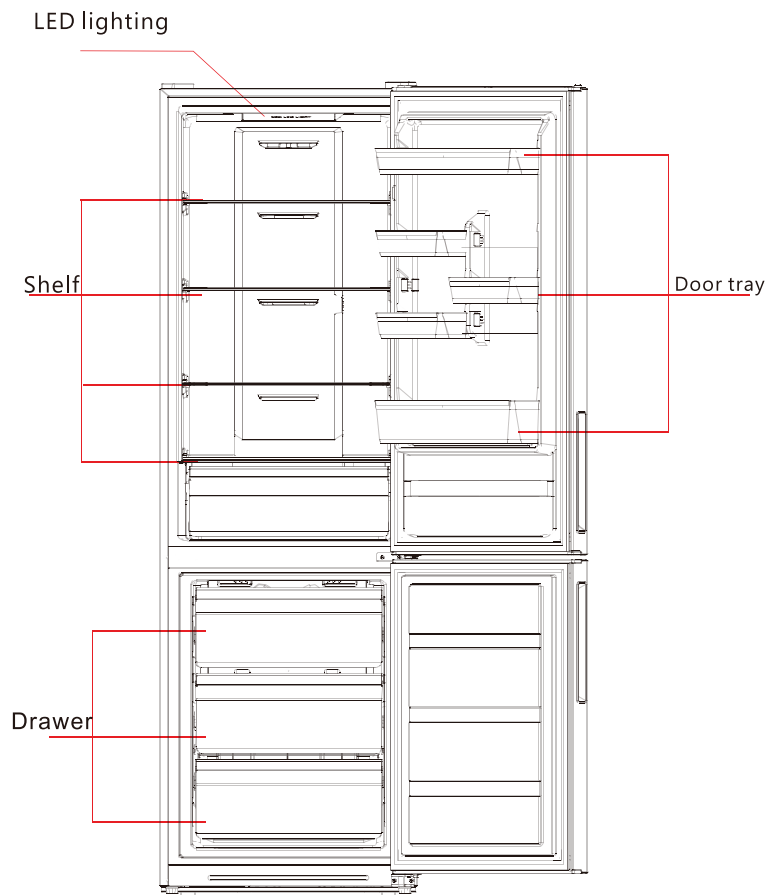
You should always slide one of the full size glass storage shelves into the lowest set of guides, above the fruit and vegetable containers, and keep it in this position. To do this, pull the storage shelf forward until it can be swivelled upwards or downwards and removed.

Please do the same in reverse to insert the shelf at a different height.



In order to make the most of the volume of the fresh food storage compartment and frozen-food storage compartment, the user can remove one or more shelves, drawers, out of the appliance, according to your daily use.

3. PRODUCT OVERVIEW

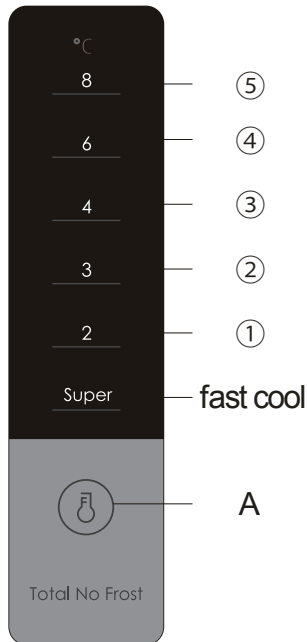


* Dotted line represents the position of air outlet and return air inlet.

*All images in this instruction manual are for indication only; please refer to your individual unit for details.

4. OPERATION

4.1 Operation Instructions



Key

A.SET: gear setting key.

Display screen

- 1 Gear 1
- 2 Gear 2
- 3 Gear 3
- 4 Gear 4
- 5 Gear 5

Display

For the first power-on, the display screen (including the key light) will be displayed in full for 3s, and then the gear in the middle displays the state of running.

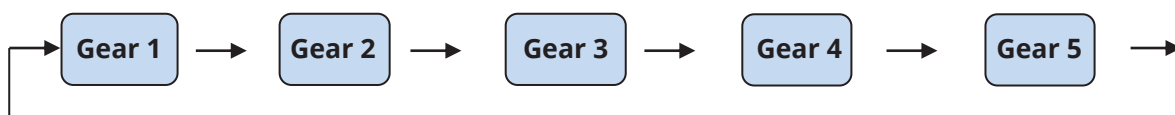
Display of normal running

On the occurrence of a failure, the corresponding LED light will give a combined display of failure code (loop display);

Where there is no failure, the LED light will display the current running gear of the refrigerator.

Gear setting

The gear will be changed once every time when you press the key SET. Then, the refrigerator will run under the setting value after 15s.



Fast cool function

Enter: Circulating modulation rapid cooling mode.

Operate: Indicator of rapid cooling lights up, and the refrigerator operates at 2°C.

Exit: 1. Operate 150min under the rapid cooling mode.

2. Temperature adjustment can exit from the rapid cooling mode.

• Temperature control of freezing chamber

FREEZER-TEMP



The freezing temperature is relatively low in “COLDEST” position, while the freezing temperature is relatively high in “COLD” position, thus, “NORMAL” position is generally used.

When ambient temperature is high in summer, the temperature shall be in the range from “NORMAL” to “COLD”. If the ambient temperature is above 35°C, then “COLD” position shall prevail.

When ambient temperature is low in winter, the temperature shall be in the range from “NORMAL” to “COLDER”. If the ambient temperature is below 10°C, then “COLDER” position shall prevail.

4.2 Noise Inside the Unit!

You may notice that your unit makes some unusual noises. Most of these are perfectly normal, but you should be aware of them!

These noises are caused by the circulation of the refrigerant liquid in the cooling system. It has become more pronounced since the introduction of CFC free gases. This is not a fault and will not affect the performance of your unit. This is the compressor motor working, as it pumps the refrigerant around the system.

4.3 Tips for Keeping Food in the Unit

- ◆ Cooked meats/fishes should always be stored on a shelf above raw meats/fishes to avoid bacterial transfer. Keep raw meats/fishes in a container which is large enough to collect juices and cover it properly. Place the container on the lowest shelf.
- ◆ Leave space around your food, to allow air to circulate inside the unit. Ensure all parts of the unit are kept cool.
- ◆ To prevent transfer of flavours and drying out, pack or cover the food separately. Fruit and vegetables do not need to be wrapped.
- ◆ Always let pre-cooked food cool down before you put in the unit. This will help to maintain the internal temperature of the unit.
- ◆ To prevent cold air escaping from the unit, try to limit the number of times you open the door. We recommend that you only open the door when you need to put food in or take food out.

5. CLEANING

5.1 Defrosting

Auto-defrost for Frost-free Refrigerator

5.2 Cleaning the Interior and the Exterior of the Unit

- ◆ Remove all the shelves and the salad bin. To remove the salad bin first remove the lower door shelf.
- ◆ Wipe the inside of the unit with a weak solution of bicarbonate soda and then rinse with warm water using a “wring-out” sponge or cloth. Wipe completely dry before replacing the shelves and salad bin.
- ◆ Use a damp cloth to clean the exterior, and then wipe with a standard furniture polish. Make sure that the door is closed to avoid the polish getting on the magnetic door seal or inside the unit.
- ◆ The grille of the condenser at the back of the unit and the adjacent components can be vacuumed using a soft brush attachment.

5.3 Cleaning Tips

Condensation may appear on the outside of the unit. This may be due to a change in room temperature. Wipe of any moisture residue. If the problem continues, please contact a qualified technician for assistance.

6. MAINTENANCE

6.1 Changing the Internal Light

Lamp replacement by professionals.

6.2 Care When Handling / Moving Your Unit

Hold the unit around its sides or base when moving it. Under no circumstances should it be lifted by holding the edges of the top surface.

6.3 Servicing

The unit should be serviced by an authorized engineer and only genuine spare parts should be used. Under no circumstances should you attempt to repair the unit yourself. Repairs carried out by inexperienced persons may cause injury or serious malfunction. Contact a qualitatively technician.

6.4 Switching Off for Long Periods of Time

When the unit is not in use for a long period of time, disconnect it from the mains supply, empty all food and clean the appliance, leaving the door ajar to prevent unpleasant smells.

6.5 Do not shield positions of air outlet and return air inlet of the refrigerator

6.6 Do not keep foods of higher temperature close to temperature sensor

6.7 Take out drawer of freezing chamber of refrigerator and put foods directly on the glass partition

7. Trouble shooting

The following simple issues can be handled by the user. Please call the after-sale service department if the issues are not settled.

Inoperation	Check whether the power cord is plugged into the power outlet properly. Low voltage; Check the fuse or circuit of your power supply and replace if necessary.
Odor	The interior may need to be cleaned. Some food, food box or wrapping cause odors.
Long-term operation of compressor	It is normal sometimes to hear the sound of the motor. It will need to run more when in following circumstances: Temperature setting is set colder than necessary Large quantity of warm food has recently been stored within the appliance. The temperature outside the appliance is too high. Doors are kept open too long or too often. After your installing the appliance or it has been switched off for a long time.
Illuminating light does not shine	Whether the refrigerator is connected to power, whether the illuminating light is damaged.
The refrigerator door can not be properly closed.	The freezer door is stuck by food packages; Too much food; Check whether the top of the refrigerator is tilted back by 10-15mm to allow the doors to self-close, or if something inside is preventing the doors from closing
Loud noises	The cabinet is not level. The back of appliance touches the wall. Bottles or containers fallen or rolling.

7.1 Warm tips:

- ◆ The refrigerator enclosure may emit heat during operation specially in summer, this is caused by the radiation of the condenser, and it is a normal phenomenon.

- ◆ Condensation: condensation phenomenon will be detected on the exterior surface and door seals of the freezer when the ambient humidity is large, this is a normal phenomenon, and the condensation can be wiped away with a dry towel.
- ◆ Buzz: Buzz will be generated by running compressor specially when starting up or shutting down.

8. TIPS FOR ENERGY SAVING

Try not to open the door too often, especially when the weather is wet and hot. Once you open the door, close it as soon as possible.

Every now and then check if the appliance is sufficiently ventilated (adequate air circulation behind the appliance).

In normal temperature conditions, please arrange the thermostat at the middle setting.

Before loading the appliance with packages of fresh food, make sure they are cooled to ambient temperature.

Ice and frost layer increase energy consumption, so clean the appliance as soon as the layer is 3-5 mm thick.


If it is the outer condenser, the rear wall should be always clean free of dust or any impurities.

- ◆ The appliance should be located in the coolest area of the room, away from heat producing appliances or heating ducts, and out of the direct sunlight.
- ◆ Let hot foods cool to room temperature before placing in the appliance. Overloading the appliance forces the compressor to run longer. Foods that freeze too slowly may lose quality, or spoil.
- ◆ Be sure to wrap foods properly, and wipe containers dry before placing them in the appliance. This cuts down on frost build-up inside the appliance.
- ◆ Appliance storage bin should not be lined with aluminum foil, wax paper, or paper toweling. Liners interfere with cold air circulation, making the appliance less efficient.
- ◆ Organize and label food to reduce door openings and extended searches. Remove as many items as needed at one time, and close the door as soon as possible.

9. DISPOSAL

Old units still have some residual value. An environmentally friendly method of disposal will ensure that valuable raw materials can be recovered and used again. The refrigerant used in your unit and insulation materials require special disposal procedures. Ensure that none of the pipes on the back of the unit are damaged prior to disposal. Up to date information concerning options of disposing of your old unit and packaging from the new one can be obtained from your local council office.

When disposing of an old unit break of any old locks or latches and remove the door as a safeguard.

Correct Disposal of this product	
	<p>Correct Disposal of this product</p> <p>This marking indicates that this product should not be disposed with other household wastes throughout the EU. To prevent possible harm to the environment or human health from uncontrolled waste disposal, recycle it responsibly to promote the sustainable reuse of material resources. To return your used device, please use the return and collection systems or contact the retailer where the product was purchased. They can take this product for environmental safe recycling.</p>

For more information, please contact the local authority or your retailer where you purchased the product.

All the pictures in the manual are for explanatory purposes only. The actual shape of the unit you purchased may be slightly different, but the operations and functions are the same. The company may not be held responsible for any misprinted information. The design and the specifications of the product for reasons, such as product improvement, are subject to change without any prior notice.

Please consult with the manufacturer at +30 211 300 3300 or with the Sales agency for further details. Any future updates to the manual will be uploaded to the service website, and it is advised to always check for the latest version.



Scan here to download the latest version of this manual.
www.inventorairconditioner.com/media-library

Activate your Warranty

Follow the next quick steps to activate your warranty:

STEP 1

Visit our website via the link:

<https://www.inventorairconditioner.com/warranty-inventor>

or by scanning the QR code, as follows:



STEP 2

Fill in the obligatory fields as requested in the "Owner's details" and "Unit's details":

To activate the warranty card, please fill in the following fields

Owner's details	Unit details
Full Name	Unit
Address*	Serial Number of the unit*

STEP 3

Click SEND button at the end of the submission form:

Subscribe to Inventor's Newsletter
in the current version

I accept the terms and conditions.

once the warranty submission has been completed a confirmation message will be sent to your email

STEP 4

Wait for the confirmation email you will receive at the email address you have filled in - please also check your spam folder.

STEP 5

Inventor warranty is now valid!

Περιεχόμενα

1. ΠΡΟΕΙΔΟΠΟΙΗΣΕΙΣ ΑΣΦΑΛΕΙΑΣ	2
2. ΕΓΚΑΤΑΣΤΑΣΗ.....	3
2.1 Τοποθεσία.....	3
2.2 Αλλαγή φοράς λαβής πόρτας (προαιρετικά).....	3
2.3 Αλλαγή φοράς πόρτας.....	5
2.4 Απαιτούμενος χώρος για το άνοιγμα της πόρτας.....	8
2.5 Οριζοντίωση της συσκευής.....	8
2.6 Καθαρισμός πριν από τη χρήση	8
2.7 Πριν από τη χρήση της συσκευής	8
2.8 Εσωτερικά αξεσουάρ	9
3. ΕΠΙΣΚΟΠΗΣΗ ΤΟΥ ΠΡΟΪΟΝΤΟΣ	10
4. ΛΕΙΤΟΥΡΓΙΑ	11
4.1 Οδηγίες λειτουργίας	11
4.2 Θόρυβος στο εσωτερικό της συσκευής!	12
4.3 Συμβουλές για τη διατήρηση των τροφίμων στην συσκευή	12
5. ΚΑΘΑΡΙΣΜΟΣ.....	13
5.1 Απόψυξη	13
5.2 Καθαρισμός του εσωτερικού και του εξωτερικού μέρους της συσκευής	13
5.3 Συμβουλές για τον καθαρισμό	13
6. ΣΥΝΤΗΡΗΣΗ	13
6.1 Αντικατάσταση του εσωτερικού λαμπτήρα	13
6.2 Προσοχή κατά το χειρισμό/τη μετακίνηση της συσκευής σας.....	13
6.3 Σέρβις	13
6.4 Απενεργοποίηση για μεγάλες χρονικές περιόδους	13
6.5 Μην καλύπτετε τις θέσεις εξόδου αέρα και εισόδου αέρα επιστροφής του ψυγείου	14
7. Αντιμετώπιση προβλημάτων	14
7.1 Χρήσιμες συμβουλές:	14
8. ΣΥΜΒΟΥΛΕΣ ΓΙΑ ΕΞΟΙΚΟΝΟΜΗΣΗ ΕΝΕΡΓΕΙΑΣ	15
9. ΑΠΟΡΡΙΨΗ	16

1. ΠΡΟΕΙΔΟΠΟΙΗΣΕΙΣ ΑΣΦΑΛΕΙΑΣ

- 1) **ΠΡΟΕΙΔΟΠΟΙΗΣΗ** - Διατηρήστε ελεύθερες τις οπές εξαερισμού, στο περίβλημα της συσκευής ή στην ενσωματωμένη δομή της, απομακρύνοντας τυχόν εμπόδια.
- 2) **ΠΡΟΕΙΔΟΠΟΙΗΣΗ** - Μη χρησιμοποιείτε μηχανικές συσκευές ή οποιαδήποτε άλλα μέσα για να επιταχύνετε τη διαδικασία απόψυξης, εκτός από αυτά που συνιστώνται από τον κατασκευαστή.
- 3) **ΠΡΟΕΙΔΟΠΟΙΗΣΗ** - Μην προκαλείτε φθορές στο κύκλωμα του ψυκτικού μέσου.
- 4) **ΠΡΟΕΙΔΟΠΟΙΗΣΗ** - Μη χρησιμοποιείτε άλλες ηλεκτρικές συσκευές στο εσωτερικό των διαμερισμάτων αποθήκευσης τροφίμων της συσκευής, εκτός αν είναι του τύπου που συνιστάται από τον κατασκευαστή.
- 5) Η συσκευή πρέπει να αποσυνδέεται μετά τη χρήση και πριν από την εκτέλεση των εργασιών συντήρησης από το χρήστη στη συσκευή.
- 6) Αυτή η συσκευή μπορεί να χρησιμοποιείται από παιδιά ηλικίας από 8 ετών και άνω και από άτομα με μειωμένες σωματικές, αισθητηριακές ή διανοητικές ικανότητες ή έλλειψη πείρας και γνώσης, εφόσον είναι υπό επίβλεψη ή τους έχουν δοθεί οδηγίες για τη χρήση της συσκευής με ασφαλή τρόπο και έχουν κατανοήσει τους κινδύνους που υπάρχουν. Τα παιδιά δεν πρέπει να παίζουν με τη συσκευή. Ο καθαρισμός και η συντήρηση από το χρήστη δεν πρέπει να διεξάγονται από παιδιά χωρίς επίβλεψη.
- 7) Εάν το καλώδιο τροφοδοσίας είναι φθαρμένο, πρέπει να αντικατασταθεί από τον κατασκευαστή ή το εξουσιοδοτημένο κατάστημα τεχνικής υποστήριξης ή άλλο ειδικό τεχνικό προκειμένου να αποφευχθούν τυχόν κίνδυνοι.
- 8) Απορρίψτε το ψυγείο σύμφωνα με τους τοπικούς κανονισμούς, διότι περιέχει εύφλεκτο αέριο εμφύσησης και ψυκτικό μέσο.
- 9) Τηρήστε τους τοπικούς κανονισμούς σχετικά με τη διάθεση της συσκευής, λόγω του εύφλεκτου ψυκτικού μέσου και του αερίου εμφύσησης. Πριν απορρίψετε τη συσκευή, αφαιρέστε τις πόρτες για να προλάβετε την παγίδευση των παιδιών.
- 10) Αυτή η συσκευή προορίζεται για χρήση σε οικιακές και παρόμοιες εφαρμογές όπως
 - κουζίνα προσωπικού σε καταστήματα, γραφεία και άλλα εργασιακά περιβάλλοντα
 - αγροικίες και πελάτες σε ξενοδοχεία, μοτέλ και άλλα περιβάλλοντα τύπου κατοικίας
 - περιβάλλοντα τύπου πανδοχείου (Bed and breakfast)
 - τροφοδοσία και παρόμοιες εφαρμογές μη λιανικής πώλησης.
- 11) Μην αποθηκεύετε εκρηκτικές ουσίες, όπως δοχεία αεροζόλ με εύφλεκτο προωθητικό, σε αυτήν τη συσκευή.



ΕΙΝΑΙ ΕΠΙΚΙΝΔΥΝΟ ΟΠΟΙΟΣΔΗΠΟΤΕ ΑΛΛΟΣ ΕΚΤΟΣ ΑΠΟ ΕΞΟΥΣΙΟΔΟΤΗΜΕΝΟ ΠΡΟΣΩΠΙΚΟ ΤΕΧΝΙΚΗΣ ΕΞΥΠΗΡΕΤΗΣΗΣ ΝΑ ΕΚΤΕΛΕΙ ΕΡΓΑΣΙΕΣ ΣΥΝΤΗΡΗΣΗΣ Ή ΕΠΙΣΚΕΥΗΣ, ΟΙ ΟΠΟΙΕΣ ΠΕΡΙΛΑΜΒΑΝΟΥΝ ΤΗΝ ΑΦΑΙΡΕΣΗ ΚΑΛΥΜΜΑΤΩΝ.



ΓΙΑ ΝΑ ΑΠΟΦΥΓΕΤΕ ΤΟΝ ΚΙΝΔΥΝΟ ΗΛΕΚΤΡΟΠΛΗΞΙΑΣ, ΜΗΝ ΕΠΙΧΕΙΡΕΙΤΕ ΝΑ ΚΑΝΕΤΕ ΕΠΙΣΚΕΥΕΣ ΜΟΝΟΙ ΣΑΣ.

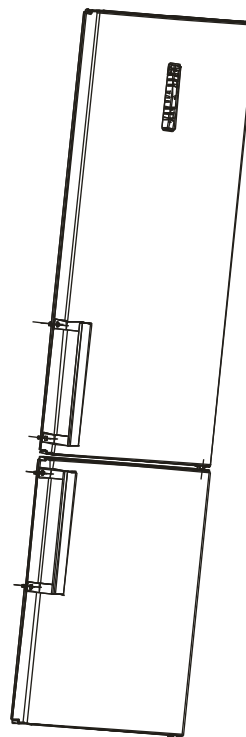
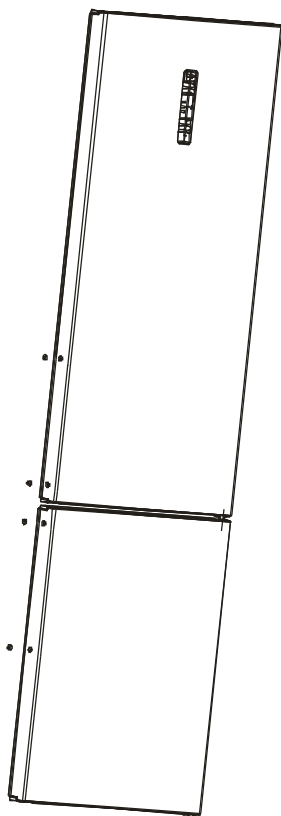
2. ΕΓΚΑΤΑΣΤΑΣΗ

2.1 Τοποθεσία

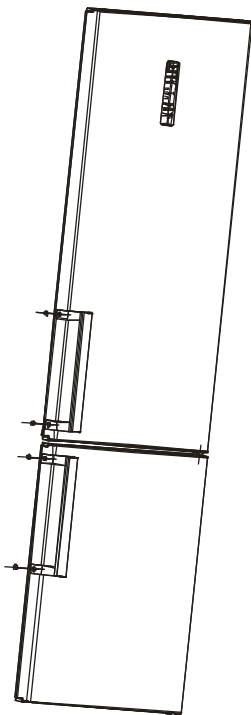
Κατά την επιλογή της θέσης για τη συσκευή σας πρέπει να διασφαλίζετε ότι το δάπεδο είναι επίπεδο και σταθερό και το δωμάτιο αερίζεται καλά. Αποφύγετε να τοποθετήσετε τη συσκευή σας κοντά σε πηγή θερμότητας, π.χ. κουζίνα, θερμοσίφωνα ή σώμα καλοριφέρ. Επίσης αποφύγετε το άμεσο ηλιακό φως, αφού μπορεί να αυξήσει την κατανάλωση ηλεκτρικής ενέργειας. Οι εξαιρετικά χαμηλές θερμοκρασίες περιβάλλοντος μπορεί επίσης να κάνουν τη συσκευή να μη λειτουργεί σωστά. Αυτή η συσκευή δεν έχει σχεδιαστεί για χρήση σε γκαράζ ή εξωτερική εγκατάσταση. Μην τυλίγετε τη συσκευή με κάλυμμα. Κατά την εγκατάσταση της συσκευής, βεβαιωθείτε ότι έχει παραμείνει ελεύθερος χώρος 10 cm στις δύο πλευρές, 10 cm στο πίσω μέρος και 30 cm στο πάνω μέρος της συσκευής. Αυτό θα επιτρέψει τον κρύο αέρα να κυκλοφορεί γύρω από το ψυγείο και θα βελτιώσει την αποτελεσματικότητα της διαδικασίας ψύξης.

2.2. Αλλαγή φοράς λαβής πόρτας (προαιρετικά)

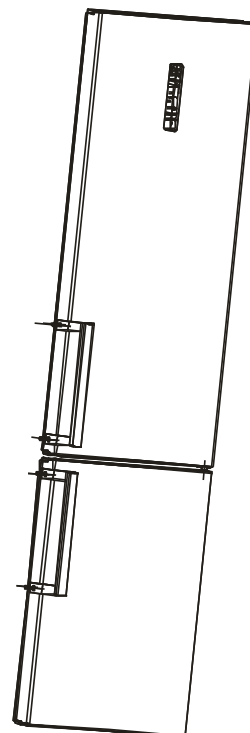
- 1) Αφαιρέστε τα βιδωτά πώματα από τις οπές της λαβής της πόρτας.
- 2) Βάλτε τις λαβές στις οπές βιδών και στη συνέχεια χτυπήστε τις για να στερεωθούν.



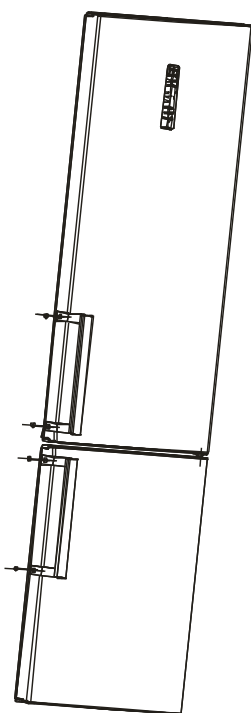
3) Τοποθετήστε τα βιδωτά πώματα στις βίδες των λαβών.



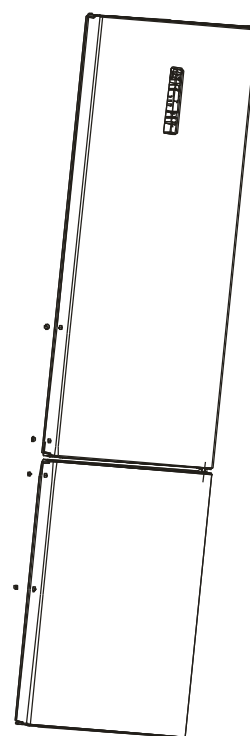
5) Αφαιρέστε τις βίδες και βγάλτε τις λαβές.



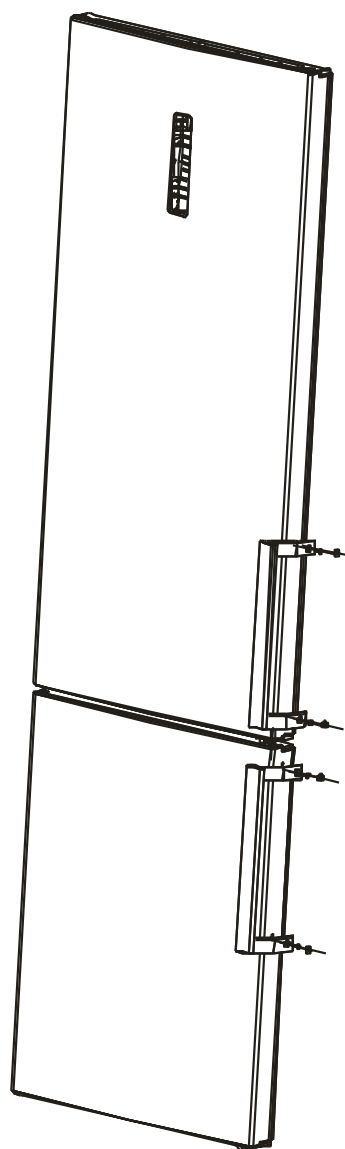
4) Αφαιρέστε τα βιδωτά πώματα από τις οπές βιδών των λαβών.







6) Τοποθετήστε πάλι τα βιδωτά πώματα στις βίδες των λαβών.



- 7) Τοποθετήστε τις λαβές στις οπές των λαβών της πόρτας στην άλλη πλευρά, σύμφωνα με τις οδηγίες εγκατάστασης των λαβών.

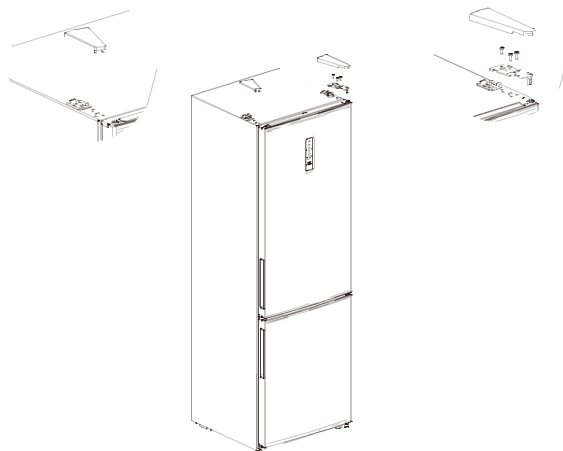


2.3 Αλλαγή φοράς πόρτας

Εργαλεία που θα χρειαστείτε			
	Σταυρο-κατσάβιδο		Σπάτουλα - Κατσαβίδι πλακέ
	5/16" Κλειδί με καρυδάκια		Ταινία μασκαρίσματος

- 1.Προτού εκτελέσετε αυτή την εργασία, απενεργοποιήστε τη συσκευή και αφαιρέστε όλα τα τρόφιμα από τα ράφια της πόρτας.

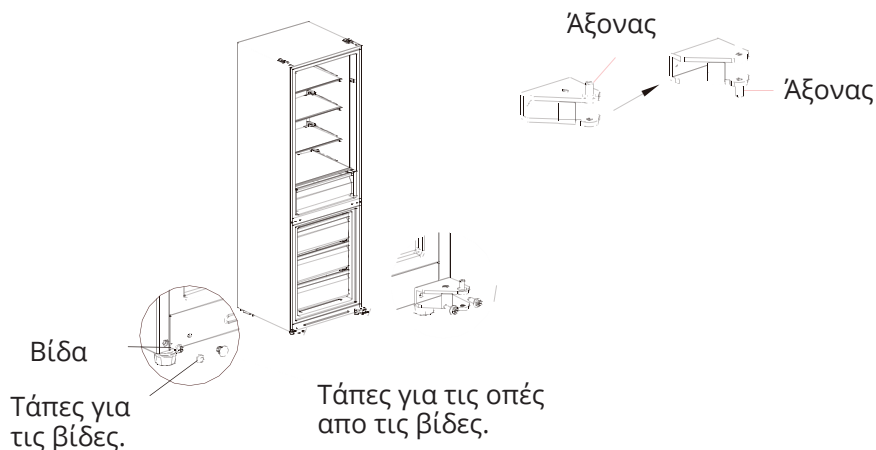
2. Αφαιρέστε το κάλυμμα του μεντεσέ, ξεβιδώστε τις βίδες και αφαιρέστε τον μεντεσέ από την άνω δεξιά πλευρά του ψυγείου. Έπειτα αφαιρέστε το κάλυμμα του μεντεσέ από την άνω αριστερή πλευρά του ψυγείου. Τέλος αποσυνδέστε τον σύνδεσμο καλωδίωσης.



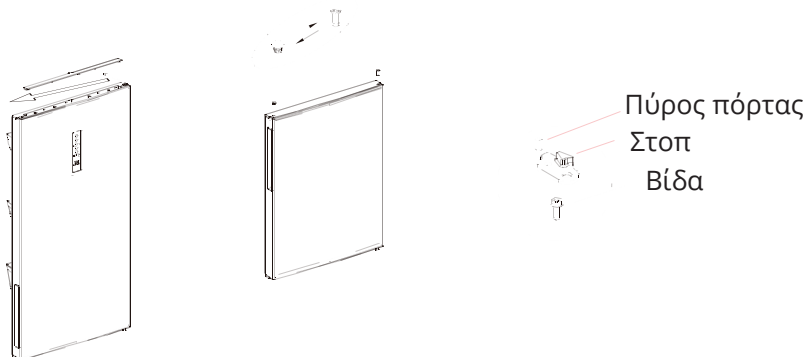
3. Αφαιρέστε το μεσαίο μεντεσέ από τη δεξιά πλευρά του ψυγείου ξεβιδώνοντας τις βίδες με ένα κατσαβίδι. Από την αριστερή πλευρά του ψυγείου θα πρέπει να αφαιρέσετε τις τάπες από τις οπές για τις βίδες.



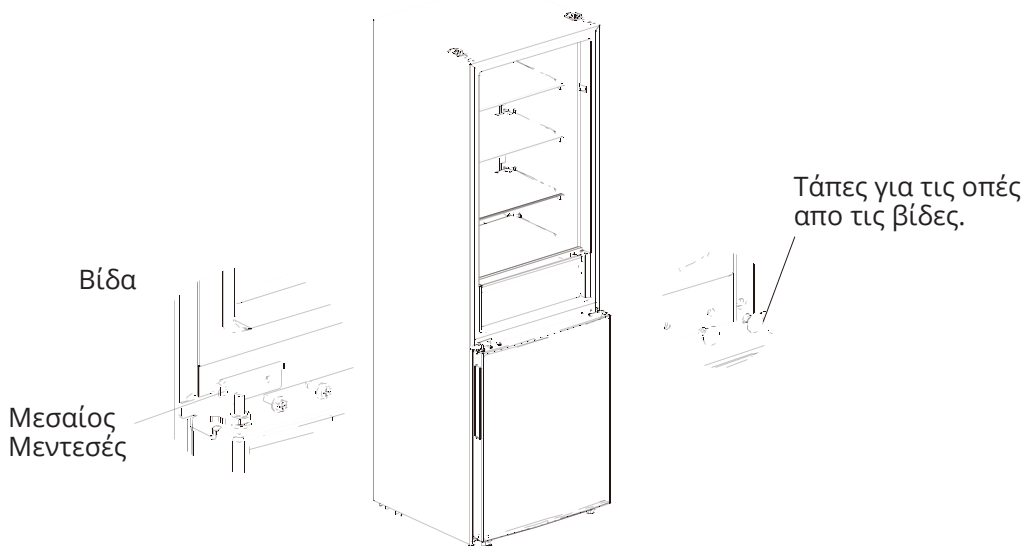
4. Αφαιρέστε τον κάτω μεντεσέ από τη δεξιά πλευρά του ψυγείου ξεβιδώνοντας τις βίδες με ένα κατσαβίδι. Από την αριστερή πλευρά του ψυγείου θα πρέπει να αφαιρέσετε τις τάπες από τις οπές για τις βίδες. Έπειτα τοποθετήστε τον άξονα του μεντεσέ στην αντίθετη πλευρά του μεντεσέ και τοποθετήστε τον στην αριστερή του θέση.



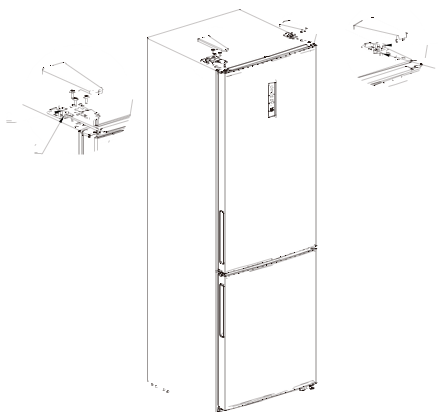
5. Ξεβιδώστε τις βίδες, και αφαιρέστε τον πύρο και το στοπ από το κάλυμμα του κάτω μέρους των δύο πορτών και τοποθετήστε τα στην αντίθετη πλευρά (το στοπ χρειάζεται να αντικατασταθεί από την πρόσθετη συσκευασία). Στη συνέχεια, αφαιρέστε το άνω κάλυμμα της πόρτας του ψυγείου και μεταφέρετε τις καλωδιώσεις στην αντίθετη πλευρά της πόρτας. Τέλος, τοποθετήστε τον πύρο στην πόρτα του ψυγείου.



6. Τοποθετήστε την πόρτα της κατάψυξης στον κάτω μεντεσέ και τοποθετήστε τον μεσαίο μεντεσέ και τις τάπες των οπών.



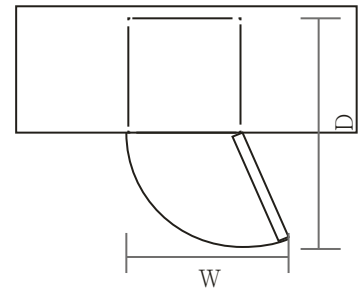
7. Τοποθετήστε την πόρτα της συντήρησης στον μεσαίο μεντεσέ. Συνδέστε τον σύνδεσμο καλωδίωσης, τοποθετήστε από πάνω τον μεντεσέ της πόρτας και έπειτα βιδώστε τις βίδες. Τέλος, τοποθετήστε το κάλυμμα του μεντεσέ στην αντίθετη πλευρά.



2.4 Απαιτούμενος χώρος για το άνοιγμα της πόρτας

Η πόρτα της συσκευής πρέπει να μπορεί να ανοίγει εντελώς, όπως φαίνεται στην εικόνα.

ΠxB≥990 x 1025mm

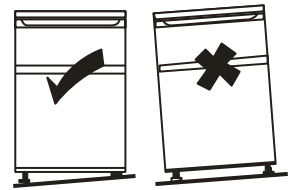


2.5 Οριζοντίωση της συσκευής

Για να γίνει αυτό, ρυθμίστε τα δύο πόδια οριζοντίωσης στο μπροστινό μέρος της συσκευής. Αν η συσκευή δεν είναι οριζοντιωμένη, η πόρτα και το μαγνητικό λάστιχο δεν θα ευθυγραμμίζονται σωστά.

Πριν από τη χρήση, βεβαιωθείτε ότι το πόδι αγγίζει το έδαφος.

Κοιτάζοντας από πάνω προς τα κάτω, με δεξιά στροφή σφίγγεται και με αριστερή στροφή χαλαρώνεται.



2.6 Καθαρισμός πριν από τη χρήση

Σκουπίστε το εσωτερικό της συσκευής με ένα ασθενές διάλυμα διττανθρακικού νατρίου.

Στη συνέχεια ξεπλύνετε με ζεστό νερό, χρησιμοποιώντας ένα συμμένο σφουγγάρι ή πανί.

Πλύνετε τα ράφια και το συρτάρι λαχανικών με ζεστό σαπουνόνερο και στεγνώστε τα εντελώς πριν τα επανατοποθετήσετε στη συσκευή. Καθαρίστε το εξωτερικό μέρος της συσκευής με ένα υγρό πανί. Αν χρειαστείτε περισσότερες πληροφορίες, ανατρέξτε στην ενότητα «Καθαρισμός».

2.7 Πριν από τη χρήση της συσκευής

Το ψυγείο χρησιμοποιεί ηλεκτρισμό 220~240V/50Hz AC. Οι διακυμάνσεις της τάσης σε εύρος των 187 ~ 264V θα προκαλέσουν δυσλειτουργία ή ακόμη και ζημιά.

Μην προκαλείτε σε καμία περίπτωση ζημιά στο καλώδιο τροφοδοσίας, για να εξασφαλίσετε την ασφαλή χρήση.

Μην το χρησιμοποιείτε αν έχει υποστεί ζημιά ή το βύσμα έχει φθαρεί.

Μην τοποθετείτε εύφλεκτα, εκρηκτικά, πτητικά και εξαιρετικά διαβρωτικά στοιχεία στο ψυγείο, για να προλάβετε τις ζημιές στο προϊόν και τα ατυχήματα με πυρκαγιά.

Μην τοποθετείτε εύφλεκτα αντικείμενα κοντά στο ψυγείο, για να αποφύγετε τις πυρκαγιές.

Αυτό το προϊόν είναι οικιακό ψυγείο και είναι κατάλληλο μόνο για την αποθήκευση τροφίμων. Σύμφωνα με εθνικά πρότυπα, τα οικιακά ψυγεία δεν πρέπει να χρησιμοποιούνται για άλλους σκοπούς, όπως η αποθήκευση αίματος, φαρμάκων ή βιολογικών προϊόντων.

Μην τοποθετείτε στον καταψύκτη υγρά σε φιάλες ή σε σφραγισμένα δοχεία, όπως εμφιαλωμένες μπίρες και ποτά, για να αποφεύγονται τα σπασίματα και άλλες απώλειες.

Πριν τοποθετήσετε οποιαδήποτε τροφή στη συσκευή σας, θέστε την σε λειτουργία και περιμένετε 24 ώρες, για να βεβαιωθείτε ότι λειτουργεί σωστά και δώστε της χρόνο για να φθάσει στη σωστή θερμοκρασία. Δεν θα πρέπει να παραγεμίζετε τη συσκευή σας. Μην προκαλείτε σε καμία περίπτωση ζημιά στο καλώδιο τροφοδοσίας, για να εξασφαλίσετε την ασφαλή χρήση. Μην το χρησιμοποιείτε αν έχει υποστεί ζημιά ή το βύσμα έχει φθαρεί.



◆ **Πριν συνδέσετε τη συσκευή με το ρεύμα**

Πρέπει να βεβαιωθείτε ότι έχετε πρίζα συμβατή με το βύσμα που παρέχεται με τη συσκευή.

◆ **Πριν θέσετε τη συσκευή σε λειτουργία!**

Μην θέσετε τη συσκευή σε λειτουργία πριν περάσουν δύο ώρες από τη μετακίνησή της.

2.8 Εσωτερικά αξεσουάρ

Διάφορα γυάλινα ή πλαστικά ράφια αποθήκευσης παρέχονται μαζί με τη συσκευή σας. Τα διάφορα μοντέλα έχουν διαφορετικούς συνδυασμούς.

Θα πρέπει πάντα να ωθείτε ένα από τα πλήρους μεγέθους γυάλινα ράφια στη χαμηλότερη σειρά οδηγών, πάνω από τα συρτάρια φρούτων και λαχανικών, και να το διατηρείτε σε αυτή τη θέση.

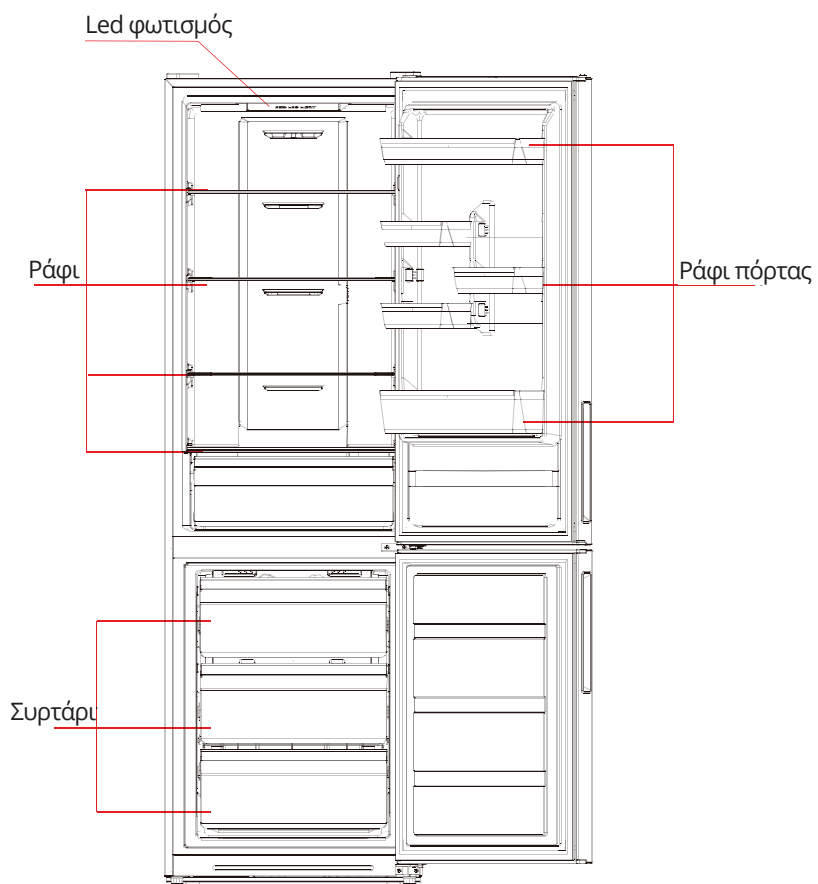
Για να γίνει αυτό, τραβήξτε το ράφι αποθήκευσης προς τα εμπρός μέχρι να μπορεί να περιστρέφεται προς τα πάνω ή προς τα κάτω και αφαιρέστε το.

Κάντε το ίδιο σε αντίστροφη σειρά για να εισαγάγετε το ράφι σε διαφορετικό ύψος.



Για να μεγιστοποιήσετε τον όγκο του αποθηκευτικού χώρου νωπών τροφίμων και του αποθηκευτικού χώρου κατεψυγμένων τροφίμων, μπορείτε να αφαιρέσετε ένα ή περισσότερα ράφια ή συρτάρια από τη συσκευή, ανάλογα με την καθημερινή χρήση της.

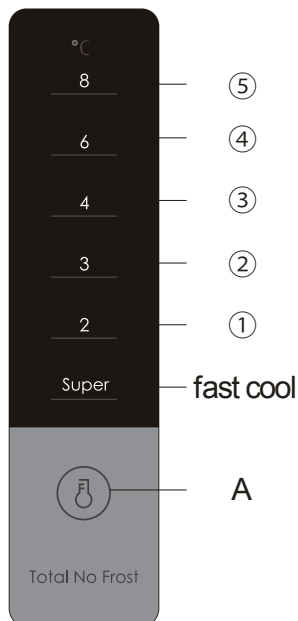
3. ΕΠΙΣΚΟΠΗΣΗ ΤΟΥ ΠΡΟΪΟΝΤΟΣ



- * Η διακεκομμένη γραμμή αντιπροσωπεύει τη θέση της εξόδου αέρα και της εισόδου αέρα επιστροφής.
- * Όλες οι εικόνες σε αυτό το εγχειρίδιο οδηγιών είναι μόνο ενδεικτικές. Ανατρέξτε στη δική σας συσκευή για λεπτομέρειες.

4. ΛΕΙΤΟΥΡΓΙΑ

4.1 Οδηγίες λειτουργίας



Πλήκτρο

A.SET: πλήκτρο ρύθμισης βαθμίδας.

Οθόνη ένδειξης

- 1 Βαθμίδα 1
- 2 Βαθμίδα 2
- 3 Βαθμίδα 3
- 4 Βαθμίδα 4
- 5 Βαθμίδα 5

Οθόνη

Για την πρώτη ενεργοποίηση η οθόνη ένδειξης (συμπεριλαμβανομένου του φωτός του πλήκτρου) θα εμφανιστεί πλήρως για 3 δευτ. και στη συνέχεια η βαθμίδα στη μέση θα εμφανίσει την κατάσταση λειτουργίας.

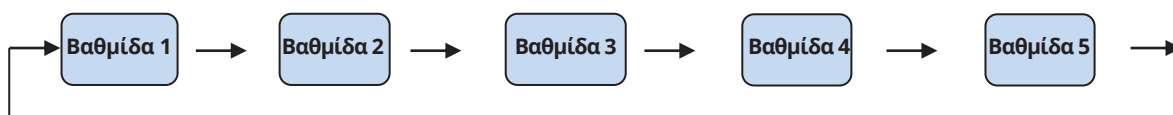
Ένδειξη κανονικής λειτουργίας

Αν παρουσιαστεί βλάβη, η αντίστοιχη λυχνία LED θα δώσει μια συνδυασμένη ένδειξη του κωδικού βλάβης (ένδειξη βρόχου).

Αν δεν υπάρχει βλάβη, η λυχνία LED θα εμφανίσει την τρέχουσα βαθμίδα λειτουργίας του ψυγείου.

Ρύθμιση βαθμίδας

Η βαθμίδα μεταβάλλεται μία φορά κάθε φορά όταν πατάτε το πλήκτρο SET. Στη συνέχεια, το ψυγείο θα λειτουργεί στη ρυθμισμένη τιμή ύστερα από 15 δευτ.



Λειτουργία γρήγορης ψύξης

Είσοδος: Λειτουργία γρήγορης ψύξης για τη διαμόρφωση της κυκλοφορίας.

Χειρισμός: Η ένδειξη γρήγορης ψύξης ανάβει και το ψυγείο λειτουργεί στους 2°C.

Έξοδος: 1. Παραμονή για 150 λεπτά στη λειτουργία γρήγορης ψύξης.

2. Με τη ρύθμιση της θερμοκρασίας μπορεί να γίνει έξοδος από τη λειτουργία γρήγορης ψύξης.

● Έλεγχος θερμοκρασίας του θαλάμου κατάψυξης

FREEZER-TEMP



Η θερμοκρασία κατάψυξης είναι σχετικά χαμηλή στη θέση «COLDER», ενώ η θερμοκρασία κατάψυξης είναι σχετικά υψηλή στη θέση «COLD», άρα συνήθως χρησιμοποιείται η θέση «NORMAL».

Όταν η θερμοκρασία περιβάλλοντος είναι υψηλή το καλοκαίρι, η θερμοκρασία πρέπει να είναι στην περιοχή από «NORMAL» έως «COLD». Αν η θερμοκρασία περιβάλλοντος είναι πάνω από 35°C πρέπει να επικρατεί η θέση «COLD».

Όταν η θερμοκρασία περιβάλλοντος είναι χαμηλή το χειμώνα, η θερμοκρασία πρέπει να είναι στην περιοχή από «NORMAL» έως «COLDER». Αν η θερμοκρασία περιβάλλοντος είναι κάτω από 10°C, πρέπει να επικρατεί η θέση «COLDER».

4.2 Θόρυβος στο εσωτερικό της συσκευής!

Μπορείτε να παρατηρήσετε ότι η συσκευή σας κάνει ασυνήθιστους θορύβους. Οι περισσότεροι από αυτούς είναι απολύτως φυσιολογικοί, αλλά θα πρέπει να είστε ενημερωμένοι γι' αυτούς! Αυτοί οι θόρυβοι προκαλούνται από την κυκλοφορία του ψυκτικού υγρού στο σύστημα ψύξης. Έχουν γίνει πιο έντονοι μετά την εισαγωγή αερίων χωρίς CFC. Αυτό δεν είναι βλάβη και δεν επηρεάζει την απόδοση της συσκευής σας. Είναι ο ηλεκτροκινητήρας του συμπιεστή που λειτουργεί, καθώς αντλεί το ψυκτικό υγρό μέσα στο σύστημα.

4.3 Συμβουλές για τη διατήρηση των τροφίμων στην συσκευή

- ◆ Τα μαγειρεμένα κρέατα/ψάρια πρέπει πάντα να αποθηκεύονται ένα ράφι πάνω από τα ωμά κρέατα/ψάρια για την αποφυγή της μεταφοράς βακτηρίων. Διατηρείτε τα ωμά κρέατα/ψάρια σε ένα δοχείο που είναι αρκετά μεγάλο για να συλλέγει τους χυμούς και να τα καλύπτει σωστά. Τοποθετείτε το δοχείο στο χαμηλότερο ράφι.
- ◆ Αφήνετε χώρο γύρω από το φαγητό σας, για να επιτρέψετε στον αέρα να κυκλοφορεί στο εσωτερικό της συσκευής. Βεβαιωθείτε ότι όλα τα μέρη της συσκευής διατηρούνται δροσερά.
- ◆ Για να προληφθεί η μεταφορά οσμών και η ξήρανση, συσκευάζετε ή καλύπτετε το φαγητό χωριστά. Τα φρούτα και τα λαχανικά δεν χρειάζεται να τυλίγονται.
- ◆ Πάντα αφήνετε το προμαγειρεμένο φαγητό να κρυώσει πριν το βάλετε στη συσκευή. Αυτό θα συμβάλει στη διατήρηση της εσωτερικής θερμοκρασίας της συσκευής.
- ◆ Για την αποτροπή της διαφυγής ψυχρού αέρα από τη συσκευή, προσπαθείτε να ανοίγετε λιγότερες φορές την πόρτα. Σας συνιστούμε να ανοίγετε την πόρτα μόνο όταν πρέπει να βάλετε ή να βγάλετε τρόφιμα.

5. ΚΑΘΑΡΙΣΜΟΣ

5.1 Απόψυξη

Αυτόματη απόψυξη.

5.2 Καθαρισμός του εσωτερικού και του εξωτερικού μέρους της συσκευής

- ◆ Αφαιρέστε όλα τα ράφια και το συρτάρι λαχανικών. Για να αφαιρέσετε το συρτάρι λαχανικών, αφαιρέστε πρώτα το χαμηλότερο ράφι της πόρτας.
- ◆ Σκουπίστε το εσωτερικό της συσκευής με ένα ασθενές διάλυμα διττανθρακικού νατρίου και στη συνέχεια ξεπλύνετε με ζεστό νερό, χρησιμοποιώντας ένα στυμμένο σφουγγάρι ή πανί. Σκουπίστε εντελώς πριν επανατοποθετήσετε τα ράφια και το συρτάρι λαχανικών.
- ◆ Χρησιμοποιήστε ένα υγρό πανί για να καθαρίσετε το εξωτερικό μέρος και στη συνέχεια σκουπίστε με ένα τυπικό γυαλιστικό επίπλων. Βεβαιωθείτε ότι η πόρτα είναι κλειστή για να αποφευχθεί να φθάσει το γυαλιστικό στο μαγνητικό λάστιχο της πόρτας ή μέσα στη συσκευή.
- ◆ Η γρίλια του συμπυκνωτή στο πίσω μέρος της συσκευής και τα διπλανά εξαρτήματα μπορούν να καθαριστούν με ηλεκτρική σκούπα με εξάρτημα μαλακής βούρτσας.

5.3 Συμβουλές για τον καθαρισμό

Μπορεί να εμφανιστεί συμπύκνωση στο εξωτερικό μέρος της συσκευής. Αυτό μπορεί να οφείλεται σε αλλαγή της θερμοκρασίας του δωματίου. Σκουπίστε τα υπολείμματα υγρασίας. Αν το πρόβλημα συνεχιστεί, επικοινωνήστε με εξειδικευμένο τεχνικό για βοήθεια.

6. ΣΥΝΤΗΡΗΣΗ

6.1 Αντικατάσταση του εσωτερικού λαμπτήρα

Η αντικατάσταση του λαμπτήρα γίνεται από επαγγελματίες.

6.2 Προσοχή κατά το χειρισμό/τη μετακίνηση της συσκευής σας

Όταν μετακινείτε τη συσκευή, κρατάτε την από τα πλάγια ή τη βάση. Σε καμία περίπτωση δεν θα πρέπει να ανυψώνεται με κράτημα από τα άκρα της άνω επιφάνειας.

6.3 Σέρβις

Η συσκευή πρέπει να συντηρείται από εξουσιοδοτημένο τεχνικό και πρέπει να χρησιμοποιούνται μόνο γνήσια ανταλλακτικά. Σε καμία περίπτωση μην επιχειρήσετε να επισκευάσετε μόνοι σας τη συσκευή. Οι επισκευές που πραγματοποιούνται από ανειδίκευτα άτομα μπορεί να προκαλέσουν τραυματισμούς ή σοβαρές δυσλειτουργίες. Επικοινωνήστε με εξειδικευμένο τεχνικό.

6.4 Απενεργοποίηση για μεγάλες χρονικές περιόδους

Όταν η συσκευή δεν πρόκειται να χρησιμοποιηθεί για μεγάλο χρονικό διάστημα, αποσυνδέστε την από την τροφοδοσία, αδειάστε όλα τα τρόφιμα και καθαρίστε τη συσκευή, αφήνοντας την πόρτα μισάνοιχτη για να αποτρέψετε τις δυσάρεστες οσμές.

6.5 Μην καλύπτετε τις θέσεις εξόδου αέρα και εισόδου αέρα επιστροφής του ψυγείου

6.6 Μην διατηρείτε τρόφιμα υψηλής θερμοκρασίας κοντά στον αισθητήρα θερμοκρασίας

6.7 Αφαιρέστε το συρτάρι του θαλάμου κατάψυξης του ψυγείου και τοποθετήστε τα τρόφιμα κατευθείαν πάνω στο γυάλινο χώρισμα

7. Αντιμετώπιση προβλημάτων

Τα παρακάτω απλά ζητήματα μπορούν να αντιμετωπιστούν από το χρήστη. Αν τα ζητήματα δεν διευθετηθούν, καλέστε το τμήμα εξυπηρέτησης μετά την πώληση.

Η συσκευή δεν λειτουργεί	Ελέγξτε αν το καλώδιο ρεύματος είναι σωστά συνδεδεμένο στην πρίζα. Χαμηλή τάση Ελέγξτε την ασφάλεια ή το κύκλωμα παροχής ρεύματος, αντικαταστήστε αν χρειάζεται.
Οσμή	Το εσωτερικό μπορεί να χρειάζεται καθάρισμα. Μερικά φαγητά, δοχεία ή περιτυλίγματα προκαλούν οσμές
Το μοτέρ λειτουργεί συνεχώς	Είναι φυσιολογικό να ακούτε συχνά τον ήχο του μοτέρ. Θα πρέπει να λειτουργεί περισσότερο κατά τη διάρκεια των ακόλουθων περιστάσεων: • Η ρύθμιση της θερμοκρασίας είναι πιο χαμηλή από όσο χρειάζεται. • Μεγάλη ποσότητα ζεστών τροφίμων τοποθετήθηκε πρόσφατα στη συσκευή. • Η θερμοκρασία έξω από τη συσκευή είναι πολύ υψηλή. • Οι πόρτες μένουν ανοιχτές για πολλή ώρα ή ανοίγουν πολύ συχνά. • Μετά την εγκατάσταση της συσκευής ή μετά την απενεργοποίησή της για μεγάλο χρονικό διάστημα.
Ο λαμπτήρας δεν ανάβει	Ελέγξτε αν το ψυγείο είναι συνδεδεμένο με την τροφοδοσία ρεύματος ή αν ο λαμπτήρας χρειάζεται αλλαγή.
Η πόρτα του ψυγείου δεν μπορεί να κλείσει σωστά.	Η πόρτα του καταψύκτη έχει κολλήσει από συσκευασίες τροφίμων Ελέγξτε αν η κορυφή του ψυγείου γέρνει προς τα πίσω κατά 10-15mm ώστε να μπορούν οι πόρτες να κλείνουν μόνες τους ή αν κάτι στο εσωτερικό εμποδίζει το κλείσιμο των πορτών
Έντονος θόρυβος	Το περίβλημα δεν είναι οριζοντιωμένο. Η πλάτη της συσκευής ακουμπά στον τοίχο. Μπουκάλια και δοχεία χτυπιούνται μεταξύ τους.

7.1 Χρήσιμες συμβουλές:

- ◆ Το περίβλημα του ψυγείου μπορεί να εκπέμπει θερμότητα κατά τη λειτουργία, ειδικά το καλοκαίρι. Αυτό προκαλείται από την ακτινοβολία του συμπυκνωτή και είναι φυσιολογικό φαινόμενο.
- ◆ Συμπύκνωση: το φαινόμενο συμπύκνωσης θα ανιχνεύεται στην εξωτερική επιφάνεια και τα λάστιχα της πόρτας του καταψύκτη, όταν η υγρασία του περιβάλλοντος είναι μεγάλη, αυτό είναι φυσιολογικό φαινόμενο και η συμπύκνωση μπορεί να σκουπίζεται με μια στεγνή πετσέτα.
- ◆ Βόμβος: Βόμβος θα παράγεται κατά τη λειτουργία του συμπιεστή, ειδικά κατά την έναρξη ή τη διακοπή λειτουργίας.

8. ΣΥΜΒΟΥΛΕΣ ΓΙΑ ΕΞΟΙΚΟΝΟΜΗΣΗ ΕΝΕΡΓΕΙΑΣ

Προσπαθείτε να μην ανοίγετε την πόρτα πάρα πολύ συχνά, ειδικά όταν ο καιρός είναι υγρός και ζεστός. Μόλις ανοίξετε την πόρτα, κλείστε την το συντομότερο δυνατόν.

Ελέγχετε από καιρό σε καιρό αν η συσκευή αερίζεται επαρκώς (επαρκής κυκλοφορία του αέρα πίσω από τη συσκευή).

Σε κανονικές συνθήκες θερμοκρασίας, ρυθμίζετε το θερμοστάτη στη μέση ρύθμιση.

Πριν γεμίσετε τη συσκευή με πακέτα φρέσκων τροφίμων, βεβαιωθείτε ότι έχουν ψυχθεί σε θερμοκρασία περιβάλλοντος.

Η στρώση πάγου και παγετού αυξάνει την κατανάλωση ενέργειας, γι' αυτό καθαρίζετε τη συσκευή μόλις η στρώση φθάσει πάχος 3-5 mm.

Αν είναι ο εξωτερικός συμπυκνωτής το οπίσθιο τοίχωμα πρέπει να είναι πάντα καθαρό και χωρίς σκόνη ή ακαθαρσίες.

- ◆ Η συσκευή πρέπει να βρίσκεται στην πιο δροσερή περιοχή του δωματίου, μακριά από συσκευές που παράγουν θερμότητα ή αγωγούς θέρμανσης και μακριά από το άμεσο ηλιακό φως.
- ◆ Αφήνετε τα καυτά τρόφιμα να ψύχονται σε θερμοκρασία δωματίου πριν τα τοποθετήσετε στη συσκευή. Η υπερφόρτωση της συσκευής αναγκάζει το συμπιεστή να λειτουργεί για μεγαλύτερο διάστημα. Τα τρόφιμα που παγώνουν πολύ αργά μπορεί να χάσουν ποιότητα ή να αλλοιωθούν.
- ◆ Φροντίζετε να τυλίγετε τα τρόφιμα σωστά και σκουπίζετε τα δοχεία πριν απ' την τοποθέτησή τους στη συσκευή. Αυτό μειώνει τη συσσώρευση παγετού στο εσωτερικό της συσκευής.
- ◆ Το δοχείο αποθήκευσης της συσκευής δεν θα πρέπει να τυλίγεται με αλουμινόχαρτο, λαδόχαρτο ή χαρτοπετσέτες. Οι επενδύσεις παρεμβαίνουν στην κυκλοφορία κρύου αέρα, καθιστώντας τη συσκευή λιγότερο αποτελεσματική.
- ◆ Οργανώνετε και τοποθετείτε ετικέτες στα τρόφιμα για τη μείωση των ανοιγμάτων της πόρτας και των εκτεταμένων αναζητήσεων. Βγάζετε όσα τεμάχια χρειάζεστε όλα μαζί και κλείνετε την πόρτα το συντομότερο δυνατόν.

9. ΑΠΟΡΡΙΨΗ

Οι παλιές συσκευές εξακολουθούν να έχουν κάποια υπολειμματική αξία. Μια φιλική προς το περιβάλλον μέθοδος απόρριψης θα εξασφαλίσει ότι θα μπορούν να ανακτηθούν και να επαναχρησιμοποιηθούν πολύτιμες πρώτες ύλες. Το ψυκτικό υγρό που χρησιμοποιείται στη συσκευή σας και τα μονωτικά υλικά απαιτούν ειδικές διαδικασίες απόρριψης. Πριν από τη απόρριψη, βεβαιωθείτε ότι κανένας από τους σωλήνες στο πίσω μέρος της συσκευής δεν είναι κατεστραμμένος. Ενημερωμένες πληροφορίες σχετικά με τις επιλογές για τη απόρριψη της παλαιάς συσκευής και της συσκευασίας της νέας μπορούν να ληφθούν από την τοπική υπηρεσία του δήμου σας.

Κατά την απόρριψη μιας παλιάς συσκευής, σπάστε τυχόν παλιές κλειδαριές ή σύρτες και αφαιρέστε την πόρτα, ως μέτρο προστασίας.

Σωστή απόρριψη αυτού του προϊόντος



Σωστή απόρριψη αυτού του προϊόντος

Αυτή η σήμανση υποδεικνύει ότι αυτό το προϊόν δεν πρέπει να απορριφθεί με άλλα οικιακά απόβλητα σε ολόκληρη την Ε.Ε. Για να αποφευχθούν πιθανές ζημιές στο περιβάλλον ή την ανθρώπινη υγεία από την ανεξέλεγκτη διάθεση απορριμμάτων, ανακυκλώστε το υπεύθυνα για να προωθήσετε την αειφόρο επαναχρησιμοποίηση των υλικών πόρων. Για να επιστρέψετε τη μεταχειρισμένη συσκευή σας, χρησιμοποιήστε τα συστήματα επιστροφής και συλλογής ή επικοινωνήστε με το κατάστημα όπου αγοράστηκε το προϊόν. Αυτοί μπορούν να παραλάβουν αυτό το προϊόν για περιβαλλοντικά ασφαλή ανακύκλωση.

Για περισσότερες πληροφορίες, επικοινωνήστε με τις τοπικές αρχές ή το κατάστημα όπου αγοράσατε το προϊόν.

Όλες οι εικόνες στο παρόν εγχειρίδιο εξυπηρετούν επεξηγηματικούς σκοπούς.

Το προϊόν που προμηθευτήκατε μπορεί να εμφανίζει ορισμένες διαφορές ως προς το σχήμα, ωστόσο οι λειτουργίες και τα χαρακτηριστικά παραμένουν ίδια.

Η εταιρεία δεν φέρει ευθύνη για τυχόν τυπογραφικά λάθη. Ο σχεδιασμός και οι προδιαγραφές του προϊόντος μπορεί να τροποποιηθούν χωρίς προηγούμενη ειδοποίηση με σκοπό τη βελτίωση των προϊόντων.

Για λεπτομέρειες, απευθυνθείτε στον κατασκευαστή στο 211 300 3300 ή στον αντιπρόσωπο. Τυχόν ενημερώσεις του εγχειρίδιου θα αναρτηθούν στην ιστοσελίδα του κατασκευαστή, παρακαλούμε να ελέγξετε για την πιο πρόσφατη έκδοση.



Σαρώστε εδώ για να κατεβάσετε την τελευταία έκδοση του εγχειριδίου.
www.inventoraircondition.gr/media-library

Υποβολή Εγγύησης

Ακολουθήστε τα παρακάτω σύντομα βήματα για να ενεργοποιήσετε την εγγύησή σας:

ΒΗΜΑ 1

Επισκεφθείτε την ιστοσελίδα μας μέσω του παρακάτω συνδέσμου:

<https://www.inventoraircondition.gr/egiisi-inventor>

ή σκανάροντας τον ακόλουθο κωδικό QR:



ΒΗΜΑ 2

Συμπληρώστε όλα τα απαραίτητα πεδία όπως ζητούνται στα "Στοιχεία ιδιοκτήτη" και "Στοιχεία μηχανήματος":

Για να ενεργοποιήσετε την εγγύηση, παρακαλούμε συμπληρώστε τα παρακάτω πεδία:

Στοιχεία ιδιοκτήτη	Στοιχεία μηχανήματος
Όνομα	Τύπος
Διεύθυνση*	Σειριακός αριθμός μηχανήματος*

ΒΗΜΑ 3

Πατήστε το κουμπί ΑΠΟΣΤΟΛΗ, στο κάτω μέρος της φόρμας υποβολής:

Διεύθυνση email*

Να εγγραφώ στο newsletter της Inventor

ΑΠΟΣΤΟΛΗ της αποδέχεται τους όρους και τις προϋποθέσεις.

Μολις ολοκληρωθεί η υποβολή της εγγύησης θα λάβετε την επιβεβαίωση κατοχύρωσης στο email σας

ΒΗΜΑ 4

Θα λάβετε σχετικό mail επιβεβαίωσης στη διεύθυνση email που έχετε δηλώσει. Παρακαλούμε ελέγξτε και τον φάκελο με τα Ανεπιθύμητα εισερχόμενα.

ΒΗΜΑ 5

Έχετε υποβάλει επιτυχώς την εγγύηση του προϊόντος Inventor!



REFRIGERATOR

BOTTOM FREEZER



V.1.1.062023

Manufacturer: **INVENTOR A.G. S.A.**

24th km National Road Athens - Lamia & 2 Thoukididou Str., Ag.Stefanos, 14565

Tel.: +30 211 300 3300, Fax: +30 211 300 3333 - www.inventor.ac

