

ROIDMI Eve Plus Robot Vacuum and Mop Cleaner Instruction Manual

[Home](#) » [ROIDMI](#) » **ROIDMI Eve Plus Robot Vacuum and Mop Cleaner Instruction Manual**

Contents [[hide](#)]

- [1 ROIDMI Eve Plus Robot Vacuum and Mop CleanerSafety instructions](#)
- [2 Product overview](#)
- [3 Product installation and charging method](#)
- [4 Use](#)
- [5 Turning on/off and cleaning modes](#)
- [6 Dust collector status indicator](#)
- [7 Cleaning and maintenance](#)
- [8 Troubleshooting](#)
- [9 FAQs](#)
- [10 Technical data](#)
- [11 Disposal](#)
- [12 Warranty and limitations of liability](#)
- [13 Warranty card](#)
- [14 Maintenance records](#)
- [15 Documents / Resources](#)
 - [15.1 References](#)
- [16 Related Posts](#)

ROIDMI

ROIDMI Eve Plus Robot Vacuum and Mop Cleaner



Safety instructions

Read this operation manual before using the product

Warning: To avoid injury to yourself and others, and to avoid unnecessary property damage, read carefully before using the product and observe the following "Safety instructions". The safety instructions are divided into two sections, "Warning" and "Caution". The "Warning" and "Caution" sections contain important information for safe use of the product and must be followed.

Hereby, [ROIDMI INFORMATION TECHNOLOGY CO., LTD.] declares that the radio equipment type [2.4GHz WLAN Module] is in compliance with Directive 2014/53/EU. The full text of the EU declaration of conformity is available at the following internet address: http://doc.roidmi.com/web/#/27?page_id=0

Warning

Instructions against incorrect product use that may lead to death or serious injury

Caution

Instructions against incorrect product use that may lead to minor injury or product damage

Warning

1. Do not use this product in wet places such as bathrooms or near water sources.
2. Do not use it to clean up liquids, matches and wet garbage.
3. Do not pull or insert the plug, or touch the adapter socket with wet hands.
4. Do not use damaged power plugs and loose sockets.
5. Do not use the main unit to clean flammable liquids such as kerosene, gasoline, objects with sparks, toner cartridges, toner and other combustible dust; do not use the device near the above items, or in environments with flammable and explosive gases to avoid fires.
6. Do not disassemble, repair, or modify the product on your own, to avoid fire, injury, or damage, except for the replacement of consumables in accordance with this manual.
7. When using the adapter, use an AC power supply with a correct rated voltage, and do not use a generator or DC power supply to avoid fire or electric shock. Do not charge non-rechargeable batteries.
8. Use a dry cloth to clean the dust on the plug regularly to avoid fires due to poor insulation or other reasons.
9. Be sure to insert the plug firmly and completely into the socket to avoid electric shock, short circuiting or fire.
10. In the event of an abnormal fault, cut off the power immediately and stop using the product to avoid smoke, fire or electric shock.
11. When charging or using the product, if the product's body becomes deformed or is unusually hot, gives off a burning smell, or emits abnormal noises while operating, immediately cut off the power and unplug the plug.
Then
12. place the product in an open area away from any combustible materials to ensure safety. Have the manufacturer or authorized maintenance personnel replace or maintain the product to avoid danger.
13. Be sure to unplug the plug from the power socket before cleaning and maintenance to avoid electric shock or injury.
14. If you find that the main brush is abnormal during use, turn off the power and immediately check whether the main brush is entangled with hair or other long fibers, and clean it in a timely manner.
15. Do not spray water on the product body and plug, or immerse them in water.
16. Do not use other adapters to charge the main unit.
17. When unplugging the plug, be sure to hold the insulated part of the adapter body. Do not pull the power cord.
18. The battery is a sealed device, and does not pose a safety hazard under normal circumstances. If liquid leaks out of the battery under extreme conditions, it may cause irritation or burns. If you accidentally come into contact with the liquid, take the following instructions:
 1. In case of skin contact – wash with soap and water;
 2. IN case of eye contact – rinse immediately with water for at least 15 minutes and seek medical help.
19. This appliance can be used by children aged from 8 years and above and persons with reduced physical, sensory or mental capabilities or lack of experience and knowledge if they have been given supervision or instruction concerning use of the appliance in a safe way and understand the hazards involved
20. Keep the robot vacuum and mop cleaner away from electromagnetic equipment in hospitals. This product is not a toy. Do not allow children to play with it. Use this product only with accessories supplied with it. cleaning and user maintenance shall not be made by children without supervision
21. The adapter is for indoor use only, do not expose it to rain.
22. If the exterior is damaged, do not use the adapter to avoid risk of electric shock.
23. This adapter is only intended for use with designated robot vacuum and mop cleaners.
24. Before charging, check whether the adapter specifications conform with the required power supply voltage.
25. Before disposing of the appliance, the battery must be removed from the appliance.

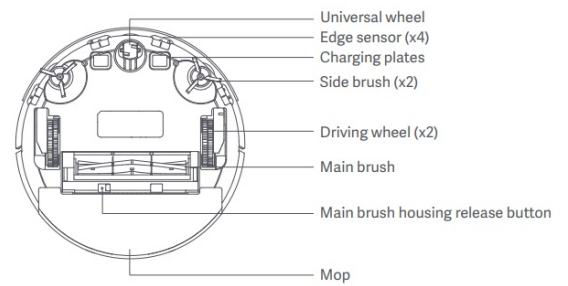
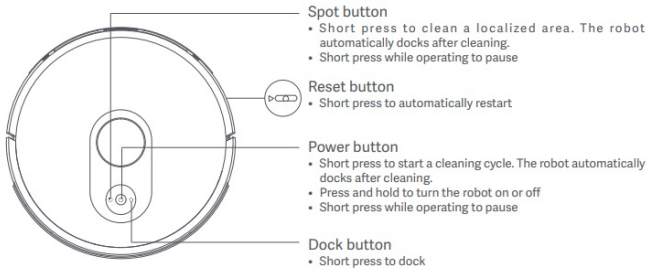
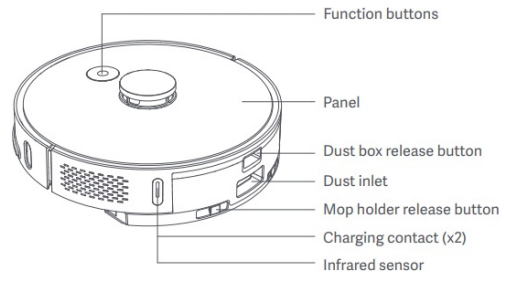
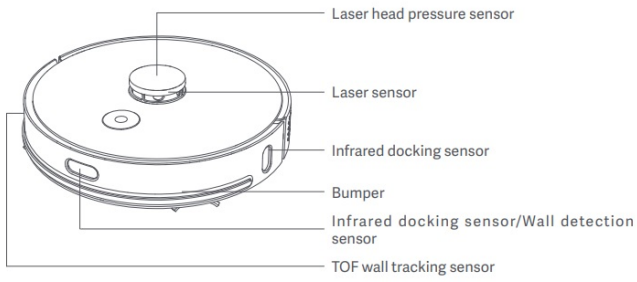
26. This appliance incorporates an earth connection for functional purposes only.
27. The supply connection of dust collector is appliance inlet. The cross-sectional area of supply cord used for the appliance at least 0.75mm².

Caution

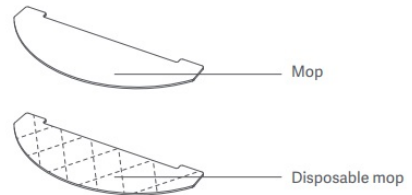
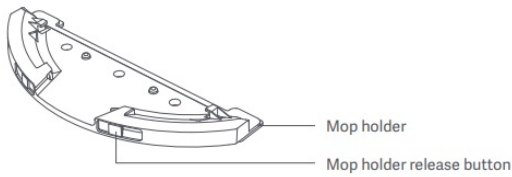
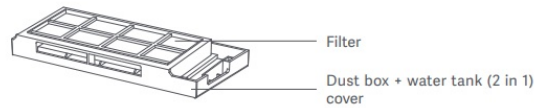
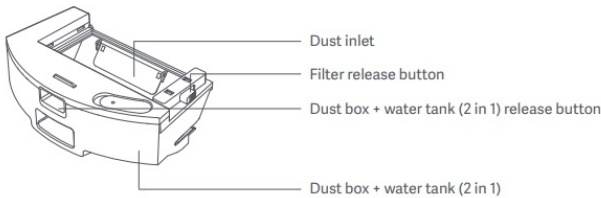
1. Do not use this product outdoors, on surfaces other than the ground, or in commercial or industrial environments.
2. Do not use the product in environments without protective fencing (such as duplex floors, open balconies, furniture tops).
3. Do not block the air outlet (so as to avoid deformation, product failure, or fire due to overheating).
4. Do not drag the product body (so as not to scratch the ground).
5. Do not shake or let children play with the product body (so as to avoid injury or damage to the product body).
6. Do not drop the product, bump it against other objects, or apply pressure to the product (so as to avoid fire or electric shock due to product failure).
7. Be sure to install the main brush and filter before use (so as not to cause damage to the motor or product body).
8. Check if the power cable is in good condition before charging the product.
9. Before using the robot vacuum and mop cleaner for the first time or replacing the specified filter, turn off the power on the main unit and make sure that the filter is properly installed.
10. Used battery packs should be properly disposed off. Do not discard them randomly.
11. Before using the product, arrange the desks, chairs, household items, floor objects, etc. neatly, and clear power cords and small items laying on the ground to avoid the product being blocked during cleaning.
12. When the machine is running, keep curtains and tablecloths away from the ground, and keep the carpet flat, so as to prevent the product from being blocked during operation and causing damage to your valuables.
13. Be sure to open the door of each room before the first use, so that the product can build a complete home map.
14. Do not stand in front of the main unit when the appliance is running, to prevent the main unit from being unable to recognize the area to be cleaned.
15. Do not use and store the main unit under extreme adverse conditions, such as extreme temperatures. It is recommended to use it indoors. Store it in a cool and dry place.
16. Do not use the adapter and dust collector to recharge non-rechargeable batteries. Do not use the adapter and dust collector to recharge non-rechargeable batteries.

Product overview

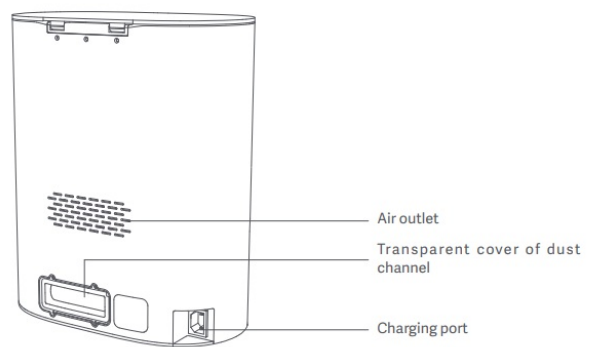
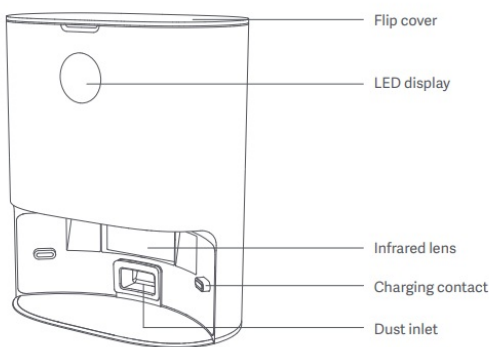
Main unit



Electric water tank and mopping module



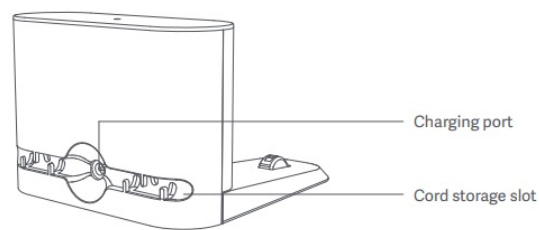
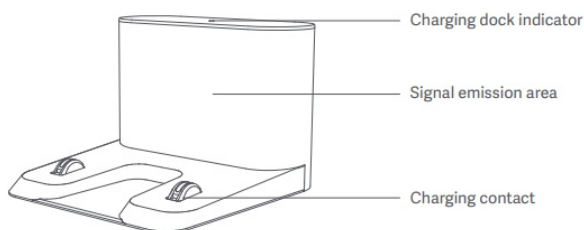
Dust collector (optional)



Working principle of dust collection station

The dust collection station always emits infrared signals at a certain angle and distance. When the sweeper detects the infrared signal during the recharging process, it will travel to a certain distance directly in front of the dust collection station, adjust the angle and retreat to the dust collection station. When the dust collection conditions are reached, the dust collection station starts to collect dust. After the dust is collected, the deodorizing ion generator starts to work to deodorize, and at the same time it starts to charge. If the dust collection condition is not reached, charge directly and the display shows the real-time power.

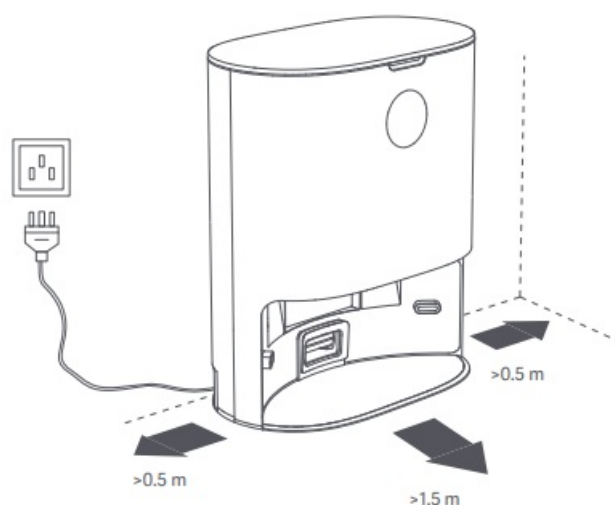
Charging dock (optional)



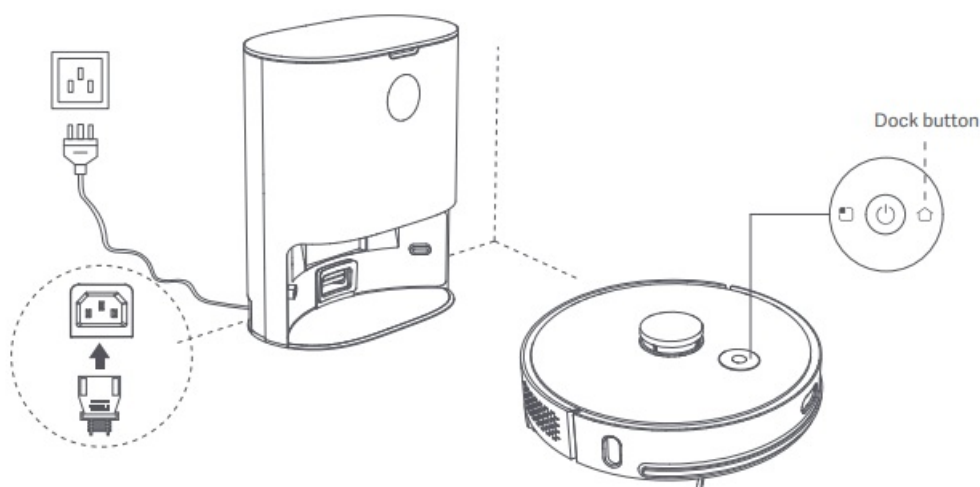
Product installation and charging method

Installation and use of dust collection station (optional)

1. Step 1: Place the dust collection station according to the position and distance shown in the figure, and connect the “pin end” of the power cord to the body of the dust collection station, and the “metal plug end” to the wall power supply, as shown in the figure



2. Step 2: When the power supply and the dust collection station are normally connected and energized, long press the power button of the sweeper to turn on and use. When the sweeper robot consumes power, it can recharge by itself, or manually short press the recharge button to recharge and charge.



Caution

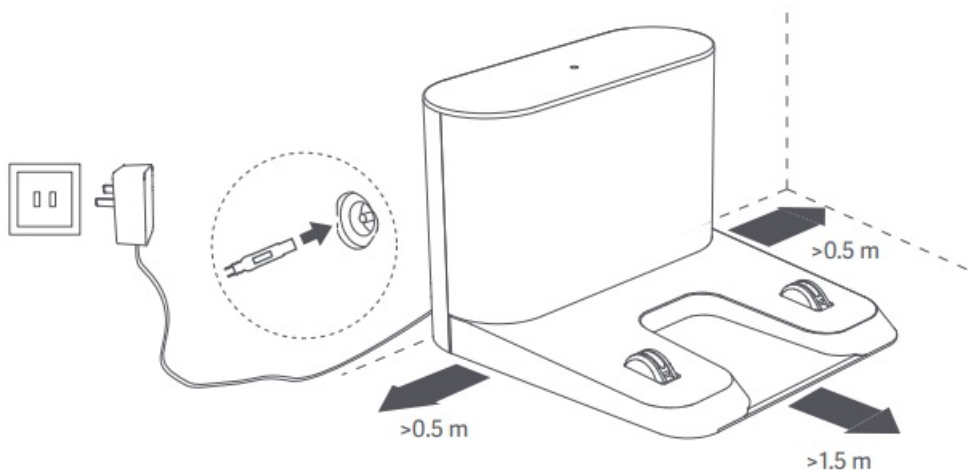
1. When charging, do not install the mopping module to prevent water seeping from the wet mop and damaging

the floor.

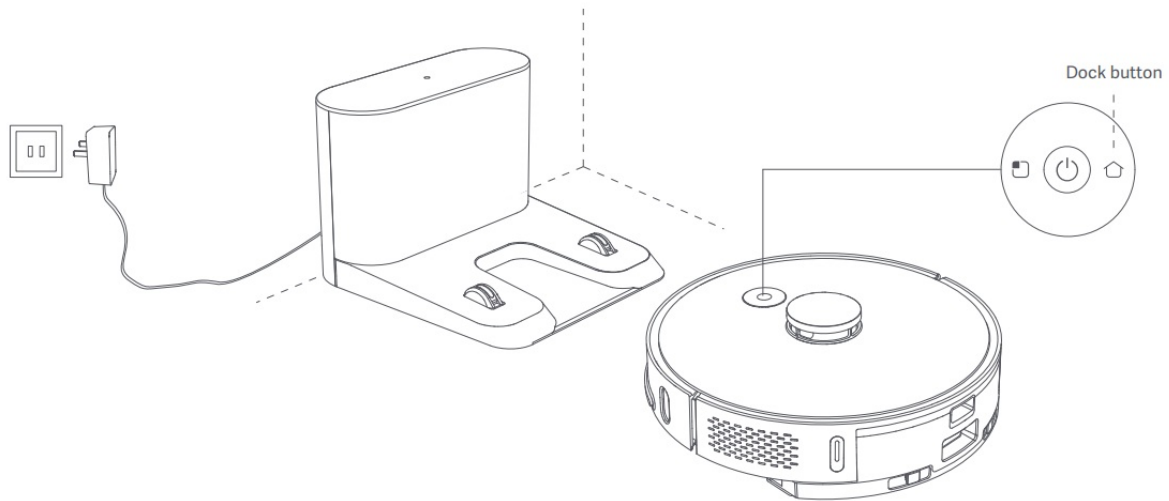
2. Do not use this product in the room of infants and young children, keep it away from infants and young children.
3. When the main unit is docked at the dust collector, do not let children or pets approach it or collide with the main unit to avoid danger.
4. In order to facilitate the smooth return of the main unit to the dust collector after cleaning, it is recommended to start the appliance from the dust collector and that you do not move the dust collector during the cleaning process.
5. The dust collector has dust collection and charging functions, and a new dust bag is installed before the product leaves the factory.
6. Please make sure that the power supply and the dust collection station are normally energized before the sweeping robot can be charged. The dust collection station that is not connected to the power supply does not have the charging function.

Installation and use of recharger (optional)

1. Step 1: Place the rechargeable cradle according to the position and distance shown in the figure, connect the round plug of the adapter to the rechargeable cradle body, and connect the "metal plug end" to the wall power supply, as shown



2. Step 2: When the adapter and the recharger are normally connected and powered on, press and hold the power button of the sweeper to turn on and use it. When the sweeper robot consumes power, it can recharge by itself, or manually short press the recharge button to recharge and charge



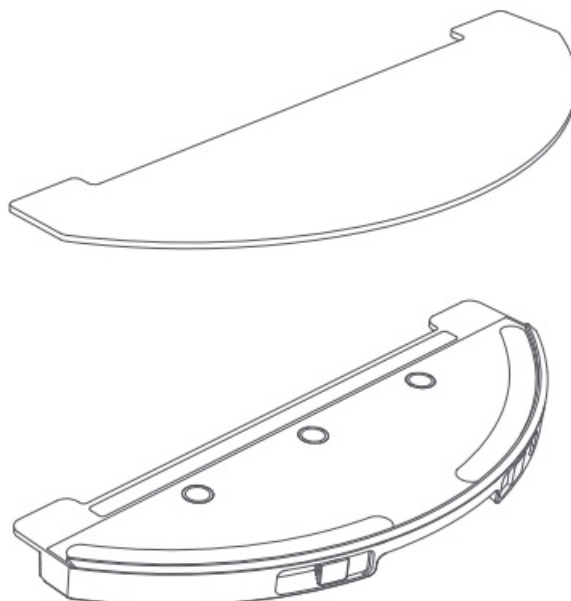
Caution

1. When charging, do not install the mopping module to prevent water seeping from the wet mop and damaging the floor.
2. Do not use this product in the room of infants and young children, keep it away from infants and young children.
3. When the main unit is docked on the charging dock, do not let children or pets approach it or collide with the main unit to avoid danger.
4. In order to facilitate the smooth return of the main unit to the charging dock after cleaning, it is recommended to start the appliance from the charging dock and that you do not move the charging dock during the cleaning process.

Installing the mopping module

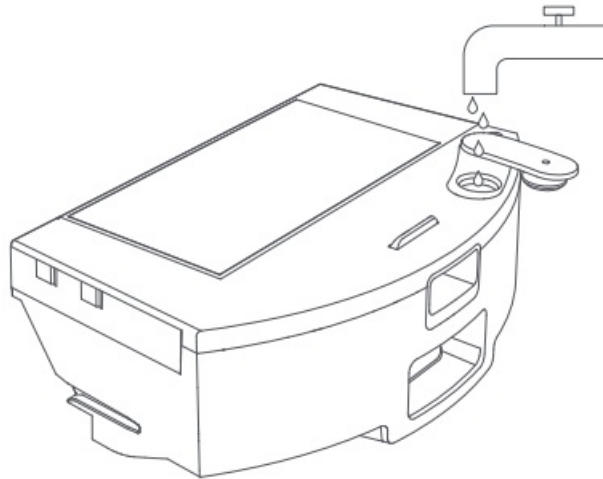
1. Step 1: Attach the mop

Stick the mop on the designated area on the mop holder



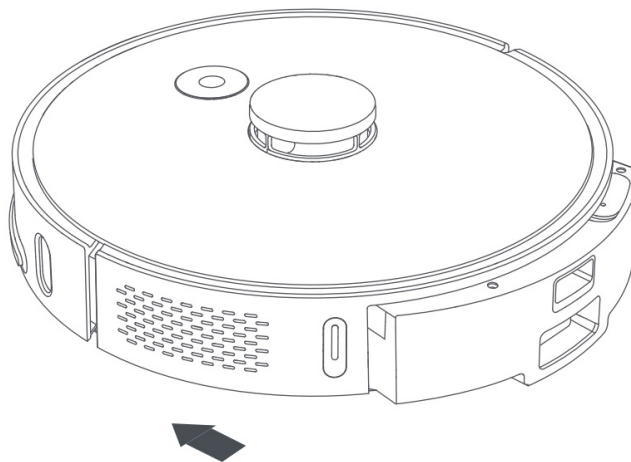
2. Step 2: Add water to the water tank

Open the lid of the electric dust collecting tank, and close the lid of the electric dust collecting tank after filling with water



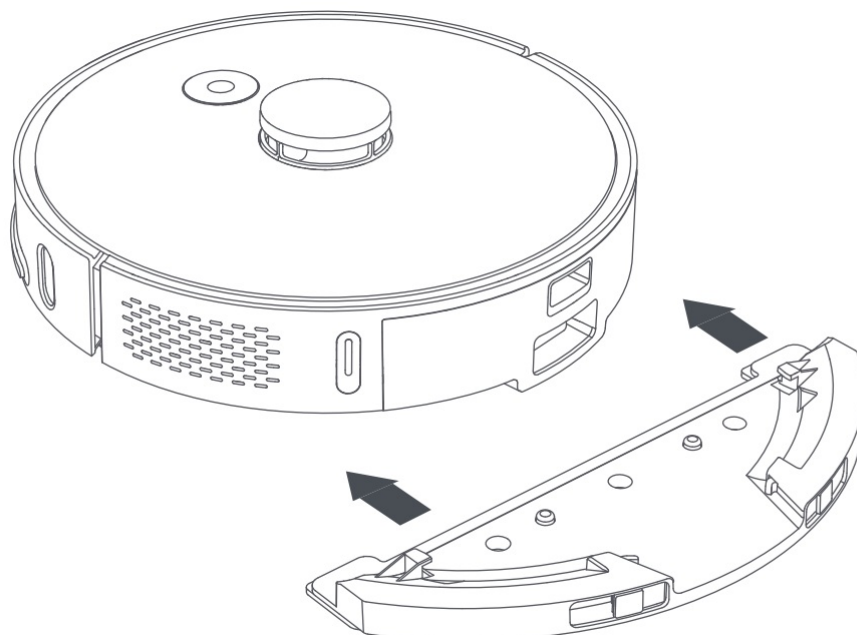
3. Step 3: Install the water tank

Push the electric water tank and dust box horizontally in the direction of the groove on the main unit until you hear a “click” sound.



4. Step 4: Install the mopping module

Push the mopping module buckle in parallel along the electric water tank until you hear a “click” sound.



Caution

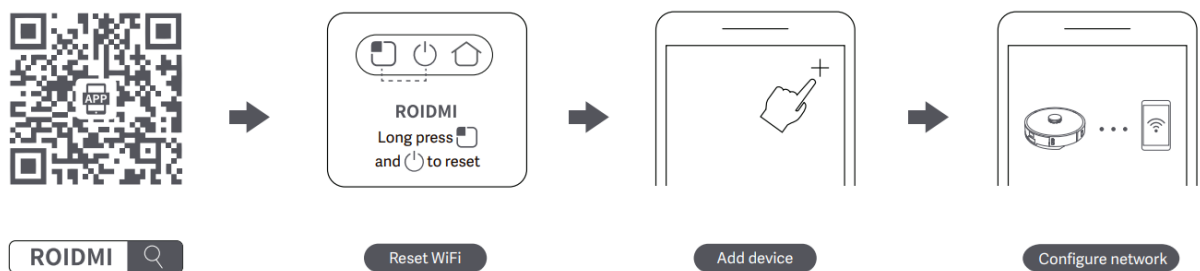
1. Do not use the mopping function on the carpet.
2. When charging or when the robot is not in use, remove the mopping module, pour out the excess water in the water tank and clean the mop to avoid mold or odor.
3. It is recommended to clean the mop each time to maintain water speed and cleaning effect. Replace with a new mop if necessary.
4. When charging the main unit on wooden floors, remove the mopping module in a timely manner to prevent water seeping from the mop and damaging the floor.\

Use

Downloading app

This product is compatible with theROIDMI vacuum cleaner platform, and can be controlled using the “ROIDMI” app. It supports Android and iOS systems.

1. Scan the QR code below, or search for “ROIDMI” in the app store to download and install the app.
2. Sign in to the app. Long press and buttons on the robot cleaner at the same time for longer than 3 seconds to reset it. Click “+” at the upper right on the app’s homepage to add device. Select the robot cleaner from the device list and connect it to WiFi according to the prompts.



3. If you have any question, please contact our service personnel or visit our official website.



* This product only supports 2.4G WiFi

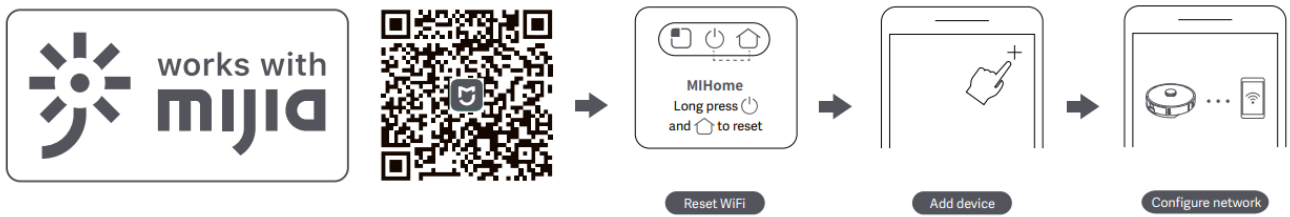
Mi Home app

This product works with mijia (Mi Home). It can be controlled via Mi Home app and interconnected with other smart devices.

1. Scan the QR code below, or search for “Mi Home” in the app store to download and install the app.
2. Turn on Mi Home app, register an account or sign in to the app.
3. Long press and buttons on the robot cleaner at the same time for longer than 3 seconds to reset it. Click “+” at

the upper right on the app's homepage to add device.

- In the device category list find the "Robot Cleaner" category, then click your ROIDMI robot cleaner model to enter Network Configuration interface.
- Perform follow-up operations according to the app's prompts on network configuration.



Reminder: Actual operations may vary due to upgrade and update of Mi Home app. Please follow the instructions in the app.

Please note that "works with mijia" only certifies the product is compatible with Mi Home app. Xiaomi and Mijia are not liable for any problems related to the product itself and its manufacturer's production, executive standards, quality control, etc.

* Some overseas regions do not support connection to Mi Home APP

Turning on/off and cleaning modes

1. Turning on/off

Press and hold the Power button, the Power button indicator is ON and the main unit enters Standby mode. When the main unit is in Idle mode, press and hold the Power button, the indicator slowly turns off and the cleaning cycle is done.

When the main unit is running, press any button to pause the appliance. Press the Power button again to resume the cleaning cycle.

Press the Dock button, the main unit automatically docks and the cleaning cycle will end. Press the Spot button to clean a localized area.

2. Charging

When a cleaning cycle is complete, the main unit automatically docks and charges itself. If an error occurs, resolve the problem and press the Dock button after troubleshooting, the main unit automatically docks.

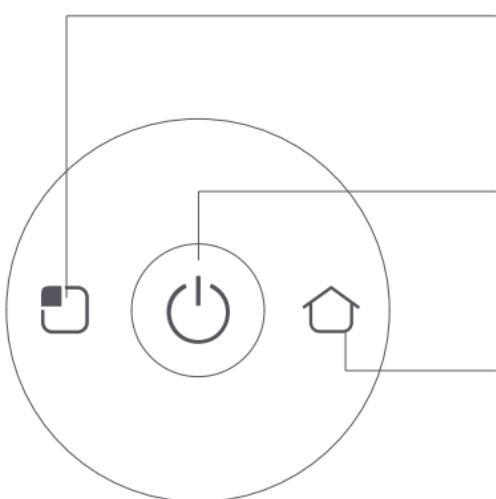
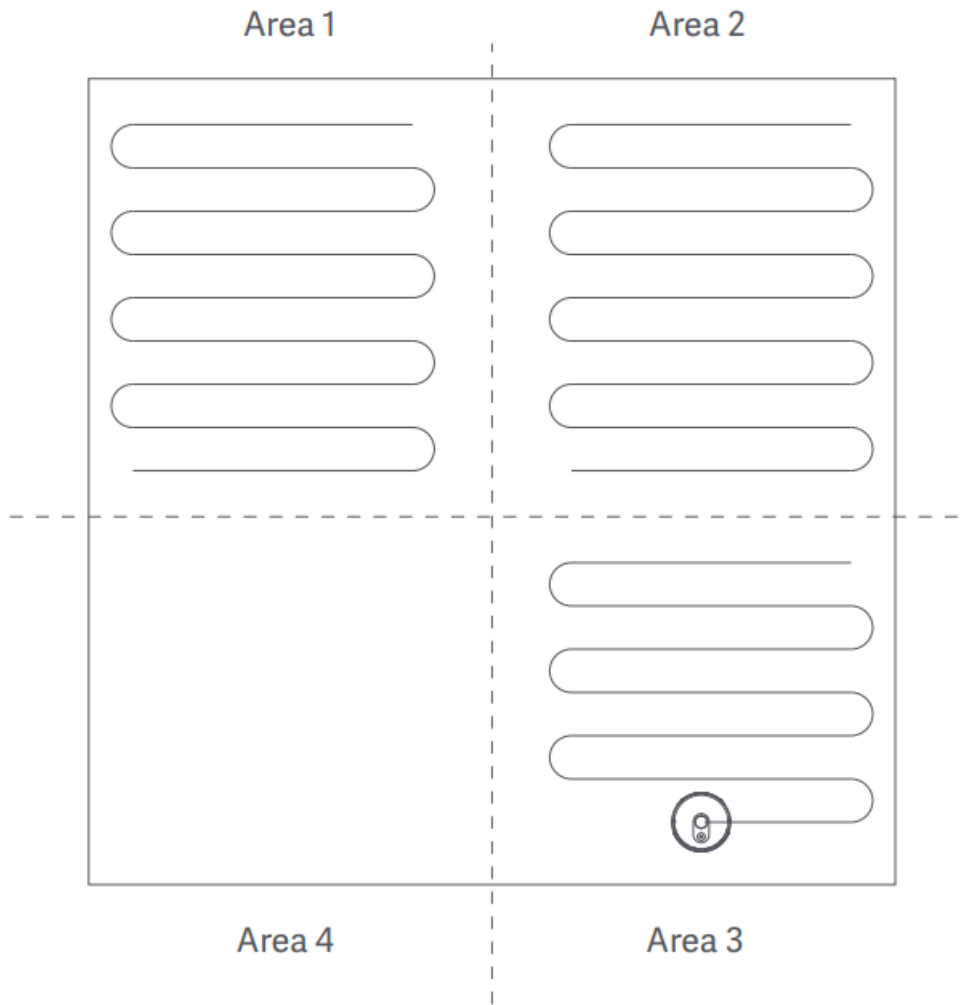
When the main unit is charging, the Power button indicator is always ON; when fully charged, the indicator breathes (breathe = dim and brighten at a certain rate).

If a cleaning cycle does not start from the charging dock or dust collector, the robot may fail to dock. When the cleaning cycle is complete, the main unit automatically returns to where it started. To return it to the charging dock or the dust collector, press the Dock button.

3. Clean mode

After the main unit is turned on, it scans and intelligently maps out a series of areas. Then it cleans along the wall and then in small arcs until the area is complete. When the cleaning cycle is complete, the main unit automatically returns to the charging dock or the dust collector.

Press the Power button to start a cleaning cycle. The cleaning path is as shown in the figure below. Press any button to pause the cleaning.



Spot button

- Short press to clean a localized area. The robot automatically docks after cleaning.
- Short press while operating to pause

Power button

- Short press to start a cleaning cycle. The robot automatically docks after cleaning.
- Press and hold to turn the robot on or off
- Short press while operating to pause

Dock button

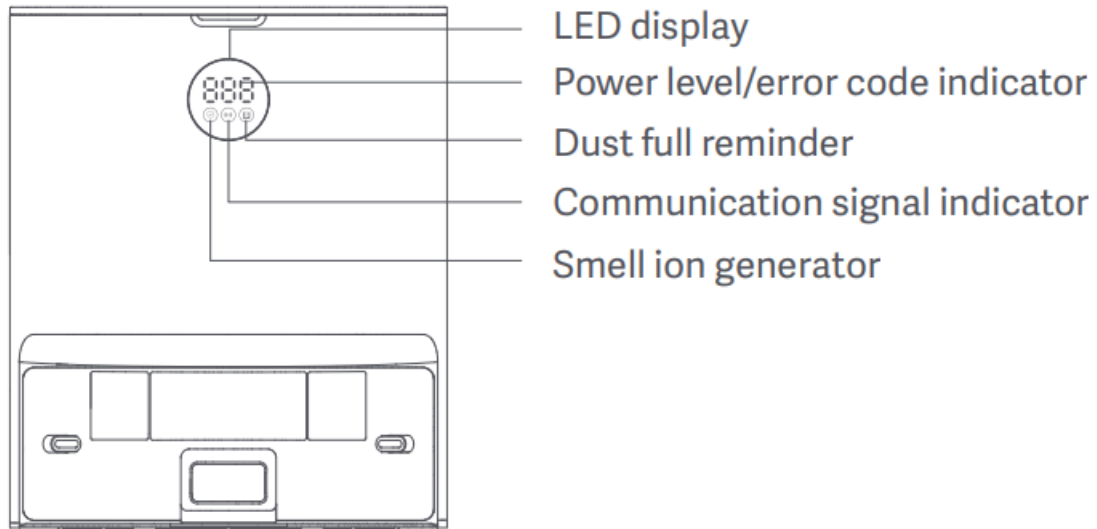
- Short press to dock

4. Cleaning a localized area When the main unit is in Standby mode or paused, press the Spot button to start cleaning a localized area. The cleaning area is a 1.6 m x 1.6 m square centered on the main unit. After cleaning, the main unit automatically docks.

5. After the main unit has finished working, it is recommended not to shut it down, and to keep the main unit in the charging state so it can better carry out the next cleaning task.

Turning on/off and operating the dust collector (optional)

Touch the LED display to turn on the dust collection function. When the dust collection function of the integrated station is normal, the outer ring indicator light shows the state of the running water light, and the smell ion generator indicator light is always on for 30 minutes and then goes out. The LED display will also display the remaining power; if the dust bag is not installed, the fault code will be displayed; in addition, the display There are also functions for reminding the work of the smell ion generator, the communication light of the dust collection station and the host, and the function of reminding that the dust is full.



Dust collector status indicator

Status	Outer ring indicator	Power level indicator	Deodorant ion indicator	Communication signal indicator	Dust full reminder
Initializing	●	888	●	●	●
Main unit in place/dust collector functions well	○	●	○	●	○
Main unit absent/dust collector functions well	●	○	○	○	○
Collecting dust	☀	012 001	●	●	○
Normal suction during dust collection	○	○	●	○	○
Abnormal suction during dust collection	○	001	●	●	○
Dust bag full/main unit in place	○	●	●	●	●
Dust bag full/main unit absent	○	○	●	○	●
Dust bag not installed/main unit in place	○	000	○	○	○
Dust bag not installed/main unit absent	○	000	○	○	○
Communication is abnormal/host is in place	○	004	○	○	○
Powered off/indicators turned off via APP	○	○	○	○	○
Remarks: indicates blinking; indicates off; indicates constant on					

Reminder: Make sure the dust collector is connected to the power supply and the main unit is in place, so that you can start cleaning and dust collection remotely at any time through the APP.

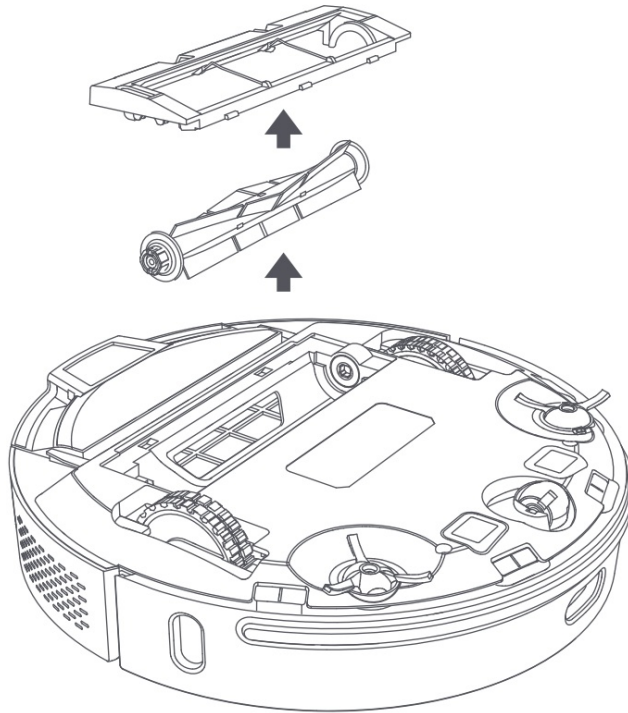
Cleaning and maintenance

Always turn off the product before any maintenance!

Disassembling and installing the main brush

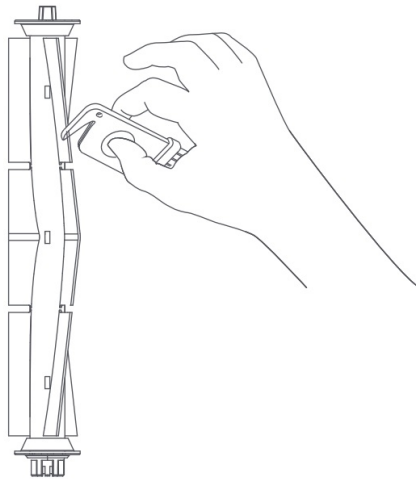
1. Step 1: Disassemble the main brush

Turn the robot vacuum and mop cleaner over, press the main brush cover release button to remove the main brush cover. Take out the main brush and clean it.



2. Step 2: Clean the main brush

Use the cleaning brush to pick up and cut away the hair and fibers entangled on the main brush. It is recommended to replace the main brush every 3-6 months.



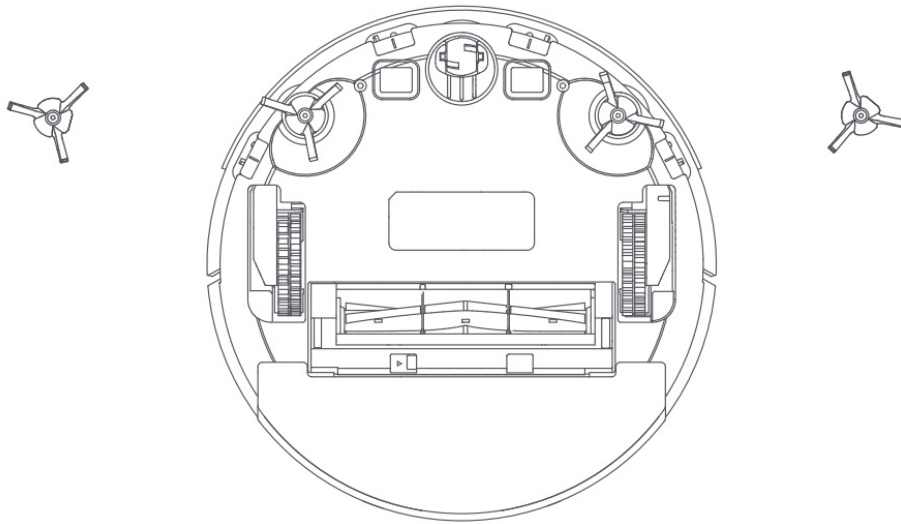
Caution

1. Turn off the product before replacing the main brush.
2. The cleaning brush has a sharp blade, which is used to cut away entangled objects that are difficult to clean. Keep the cleaning brush away from children.

Disassembling and installing the side brush

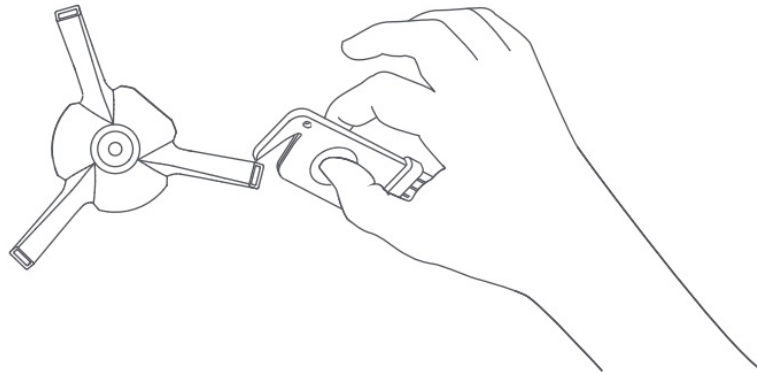
1. Step 1: Disassemble the side brush

Turn the robot vacuum and mop cleaner over, remove the screw with a screwdriver, and take out the side brush.



2. Step 2: Clean the side brush

Use the cleaning brush to pick up and cut away the hair and fibers entangled on the side brush. It is recommended to replace the side brush every 3-6 months to ensure effective cleaning.



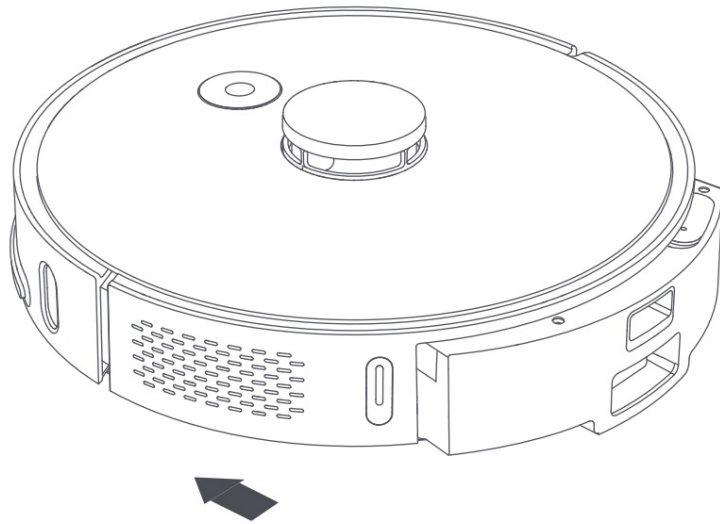
Caution

1. Only replace with a side brush supplied byROIDMI, otherwise, it may lead to damage to the main unit.
2. To avoid scratching yourself, be careful when using a screwdriver to replace the side brush.
3. Install the left and right side brushes correctly onto their respective pins.

Disassembling and installing the dust box + water tank (2 in 1) and filter

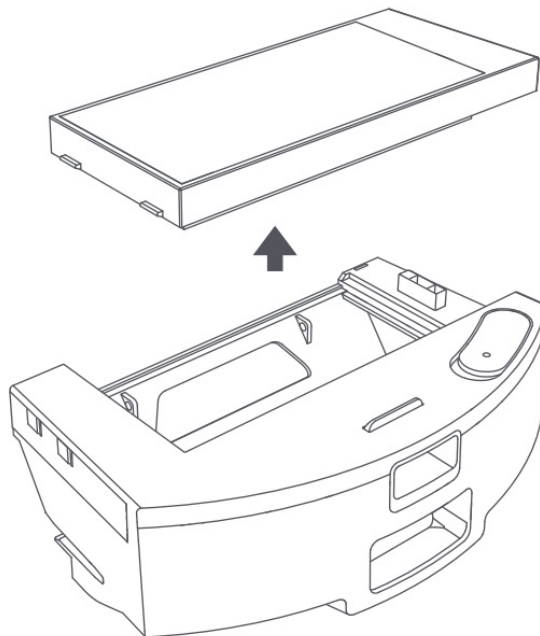
1. Step 1: Disassemble the dust box + water tank (2 in 1)

Press the dust box + water tank (2 in 1) release button to remove the dust box + water tank (2 in 1).



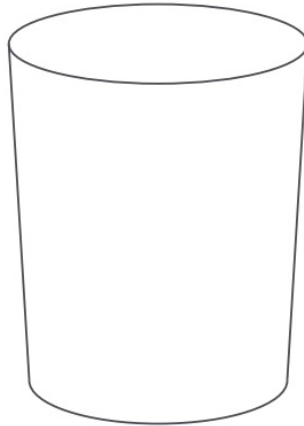
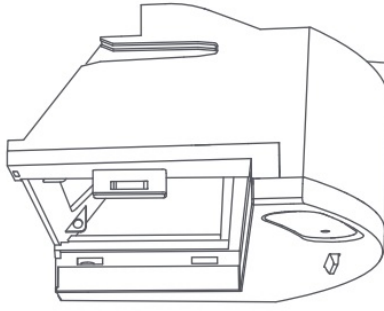
2. Step 2: Disassemble the filter

Press the filter release button on the right of the dust box + water tank (2 in 1) to remove the filter.



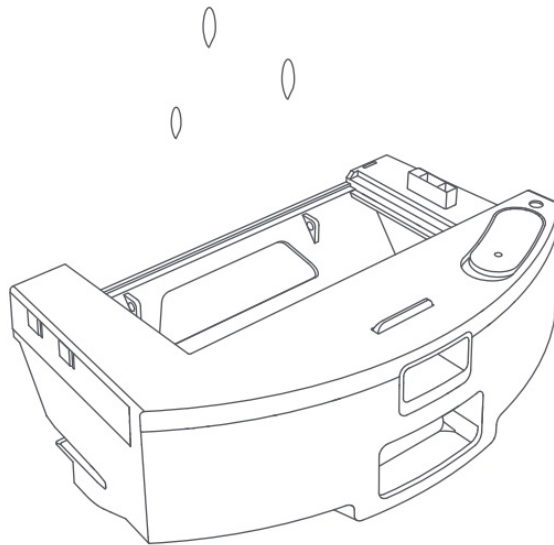
3. Step 3: Empty the dust box + water tank (2 in 1)

Align the dust box with the opening of a trash can and empty the dust. Use the cleaning brush to clean the dust box corners that are hard to reach.



4. Step 4: Clean the dust box + water tank (2 in 1)

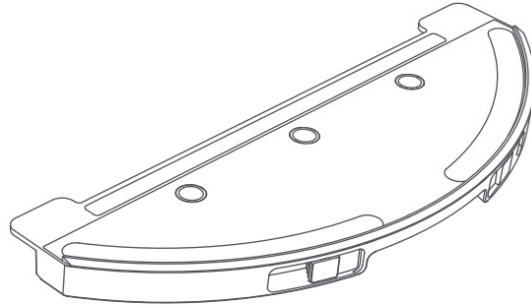
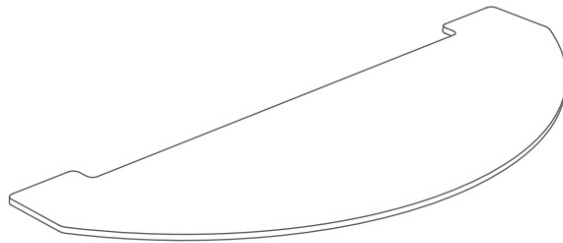
Rinse the dust box + water tank (2 in 1) with clean water. Air-dry completely for at least 24 hours before reinstalling to prevent dust from clumping during the next use.



Disassembling and installing the mop

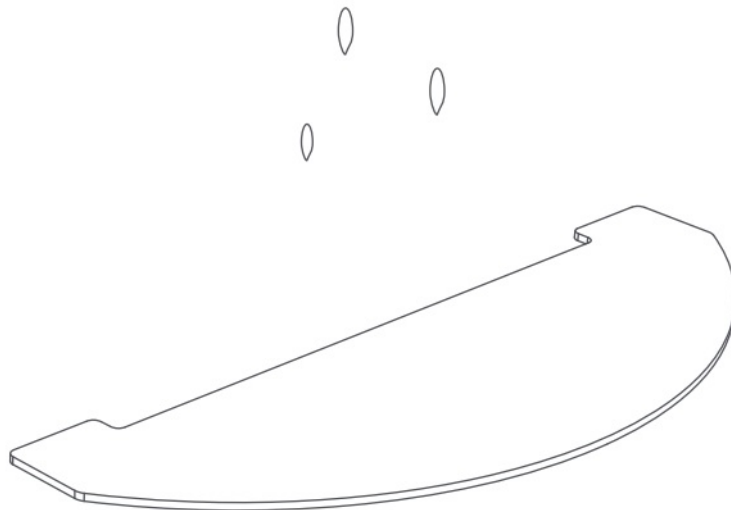
1. Step 1: Disassemble the mop

Remove the mopping module from the dust box + water tank (2 in 1), and remove the mop from the mopping module.



2. Step 2: Clean the mop

Rinse the mop with clean water. Air-dry completely before reinstalling to prevent dust from clumping during the next use.



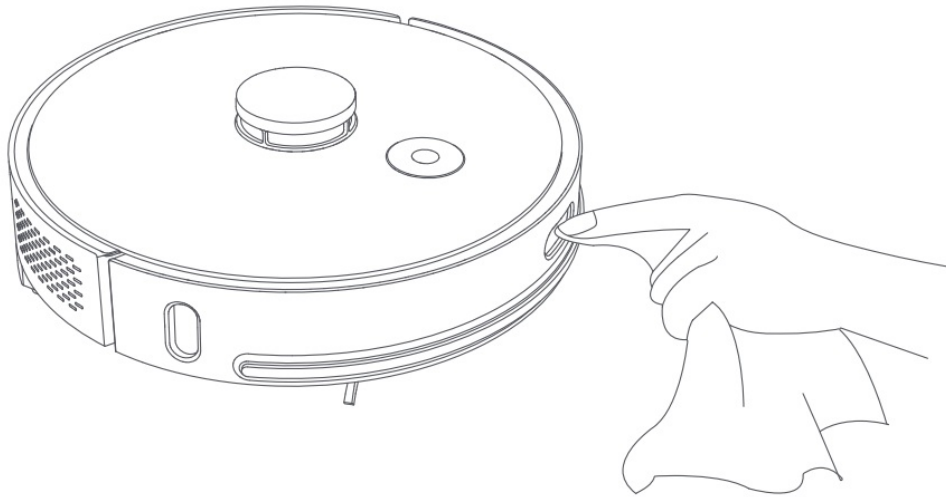
Caution

1. Only replace with a mop supplied by ROIDMI, otherwise, it may lead to ineffective cleaning.
2. Be sure to remove and clean the mop to prevent dirty water flowing back.
3. It is recommended to replace the mop every 3-6 months to ensure effective cleaning.

Cleaning the replacement parts

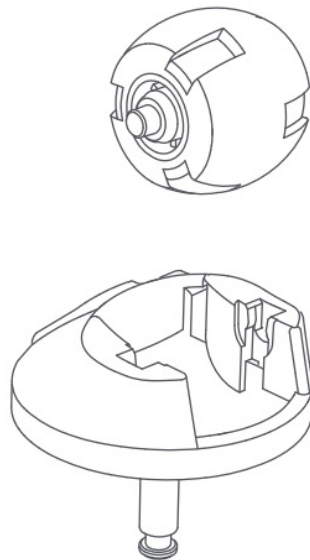
1. Step 1: Clean the sensors

Use a soft clean cloth to wipe and clean the charging plates on the back, the laser distance sensor on the top, the edge sensors, the infrared docking sensors and the TOF wall tracking sensor.



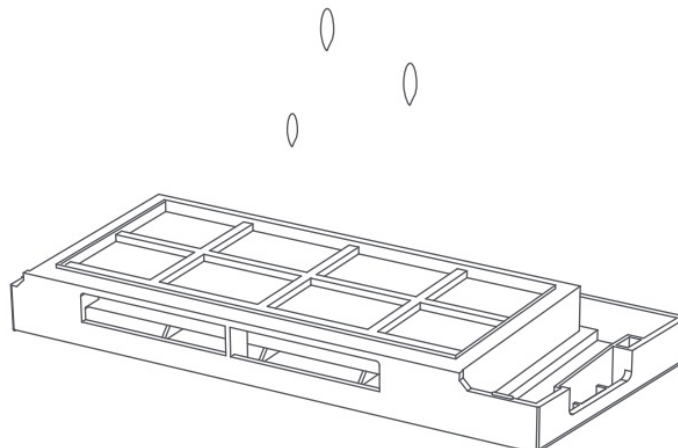
2. Step 2: Clean the universal wheel

Turn the robot vacuum and mop cleaner over and pull out the universal wheel, clean out the hair and dirt from the wheel and axle. Wash the universal wheel with water, air-dry completely and reinstall it.



3. Step 3: Clean the filter

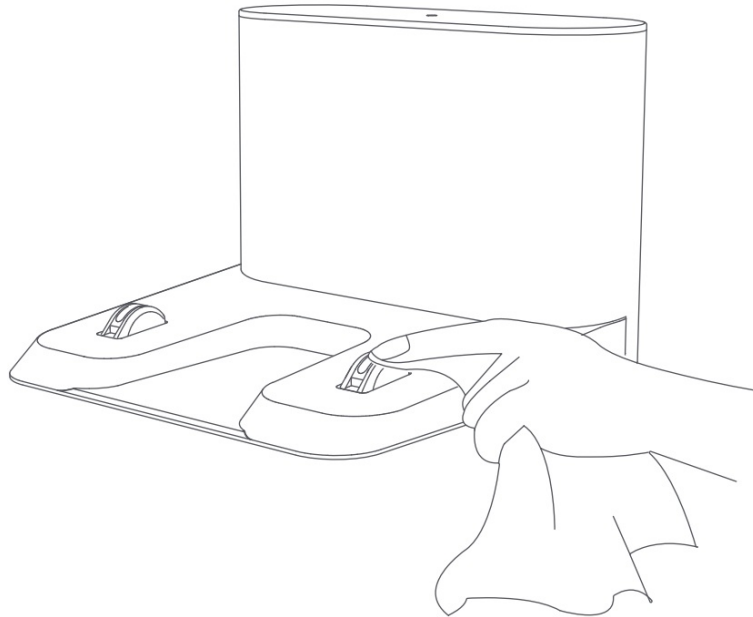
Rinse the dust box filter with clean water. Air-dry completely before reinstalling to prevent dust from clumping during the next use.



Clean the charging dock (optional)

1. Step 1: Clean the charging contact

Check whether there is dirt on the charging contacts. Wipe and clean the charging contacts with a soft clean cloth to keep it clean and free of debris.



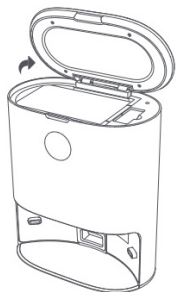
Caution

1. Use a dry cloth to clean the main unit's sensors, infrared sensors and charging contacts. Do not use a wet cloth to prevent water from entering the appliance and causing damage.
2. To avoid scratching yourself, be careful when using a screwdriver to replace the replacement parts.

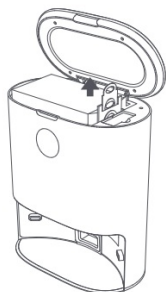
Clean the dust collector (optional)

1. Step 1: Replace the dust bag

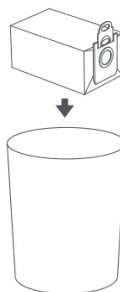
When the dust bag is full, the dust full indicator on the LED display of the dust collector becomes constant on, replace the dust bag. It is recommended to replace the dust bag every 4 weeks.



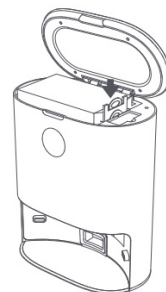
Open the cover of the dust collector



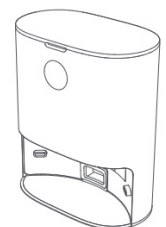
Pull the dust bag handle up to remove the dust bag



Dispose of the used dust bag



Replace with a new dust bag

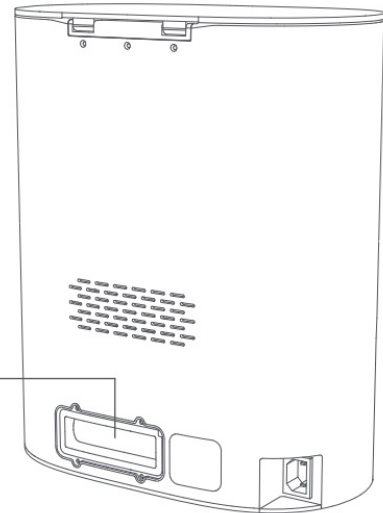


Close the cover of the dust collector

2. Step 2: Clean the dust channel

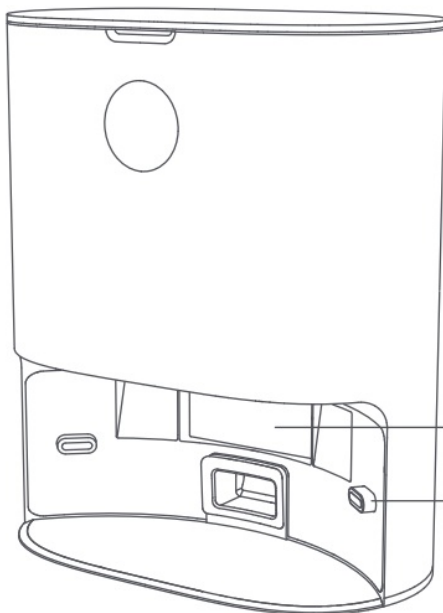
If the dust collector does not work while powered on and the dust bag is not full, firstly disconnect it from the power supply and check whether the dust channel is blocked. If it is blocked, use a screwdriver to open its transparent cover and clear out the obstructions.

Transparent cover of dust channel



3. Step 3: Clean the infrared lens and charging contacts

Wipe and clean the infrared lens and charging contacts with a soft clean cloth to keep it clean and free of debris.

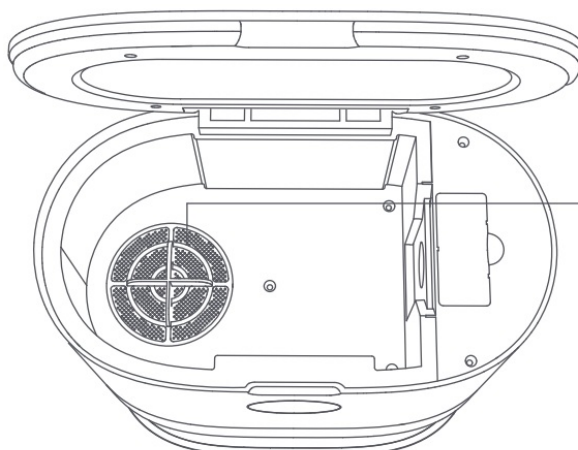


Infrared lens

Charging contact

4. Step 4: Clean the fan filter bracket

Check whether the fan filter bracket is entangled with any foreign objects or debris. Wipe with a soft clean cloth to keep it clean and free of debris.



Fan filter bracket

Caution

1. Use a dry cloth to clean. Do not use a wet cloth to prevent water from entering the appliance and causing damage.
2. To avoid scratching yourself, be careful when using a screwdriver to replace the replacement parts.

Troubleshooting

When an error occurs while the robot vacuum and mop cleaner is operating, the Power button indicator flashes quickly and a voice prompt will be heard. Refer to the “Troubleshooting” table below to fix the error.

Error message	Solution
Error 1: Check if the radar is obstructed or stuck. If it is, move the main unit to a new location and start it.	If the radar is obstructed or stuck, remove the obstruction or debris.
	Do not use the product outdoors under sunlight or in places with strong light. Use it indoors.
	If the solutions above do not work, move the main unit to a new location and start it.
	If the alert continues, contact the customer service.

Error message	Solution
Error 2: Check if the bumper is stuck.	If the bumper is stuck, remove the debris and briskly tap the bumper several times to dislodge any debris that may be trapped underneath.
	If the product is trapped because of insufficient space, move it to a new location and start it.
	If the alert continues, contact the customer service.
Error 3: Wipe the edge sensor, move the main unit away from edge and start it.	If the main unit is suspended in the air, move it to a new location and start it.
	If the edge sensor is dirty or obstructed by debris, clean the edge sensor regularly.

	<p>If the alert continues, contact the customer service.</p>
Error 4: Check if the main brush is stuck.	<p>If the main brush is entangled with wool, wires and other debris, remove the main brush and clean it.</p>
	<p>Clean up wool, wires and other debris on the floor.</p>
	<p>Regularly clean the main brush, as it can easily be entangled with debris.</p>
	<p>If the alert continues, contact the customer service.</p>
Error 5: Check if the side brushes are stuck.	<p>If the side brushes are entangled with wool, wires and other debris, remove the side brushes and clean them.</p>
	<p>Clean up wool, wires and other debris on the floor.</p>
	<p>Regularly clean the side brushes, as they can easily be entangled with debris.</p>
	<p>If the alert continues, contact the customer service.</p>
Error 6: Check if the driving wheel is stuck.	<p>If the driving wheel is stuck, clean it.</p>
	<p>If the alert continues, contact the customer service.</p>
Error 7: Reinstall the dust box + water tank (2 in 1).	<p>Reinstall the dust box + water tank (2 in 1) and filter and make sure they are reinstalled properly.</p>
	<p>If the error persists, replace the filter.</p>
	<p>If the alert continues, contact the customer service.</p>

Error 8: Battery is too low, please charge.	Battery is low, charge it before use.
Error 9: Cannot charge. Check if the main unit is correctly connected to the dust collector.	Use a dry clean cloth to wipe the charging contacts on the dust collector and the charging plates on the main unit.
Error 10: Battery pack temperature is too high or too low, try it again later.	If battery temperature is too high or too low, use the appliance when its temperature returns to normal.
Error 11: Check the wall tracking sensor.	If the wall tracking sensor is covered by dust, wipe and clean it.
Error 12: Place the main unit on level ground and start it.	If the main unit is detected to be tilted, place it on level ground and start it.
Error 13: Abnormal vacuum fan.	If the vacuum fan does not work properly, reset the system.
	If the alert continues, contact the customer service.
Error 14: Check if the top radar cover is stuck.	If the top radar cover is stuck or under pressure, move the appliance to a new location and start it.
Error 15: Move the main unit away from forbidden areas and start it.	Move the main unit away from the virtual walls or forbidden areas and start it.
Error 16: Cannot return to the charging dock. Remove any obstacles near the charging dock.	Remove any obstacles that are closer than 1.5 m from the front of the charging dock.
Error 17: Dust bag is not in place.	Check if the dust bag is installed.
	If installed, check if it reaches the bottom of the charging dock.

	If the alert continues, contact the customer service.
Error 18: Dust bag is full.	If the dust bag is full, replace with a new one.
	If the dust bag is not full, check if the dust collector's channel is clogged. If clogged, clean the dust channel.
	If the alert continues, contact the customer service.
Error 19: Clean the dust box + water tank (2 in 1) if it has not been cleaned for a long time.	If there is excessive dust in the dust box + water tank (2 in 1), clean it and the filter.

Error message	Solution
Error 20: Clean the filter.	Remove the filter and clean it.

Tip: Resetting the system can fix some errors.

FAQs

Question type	Solution
Cannot power on	If the battery power is insufficient, dock the main unit on the charging dock and fully charge it before next use. If the battery temperature is too low or too high, use the product at temperatures of 0-40 °C.

Cannot charge	Make sure both ends of the charging dock's power cable are firmly plugged in. If poor contact is detected, clean the charging contacts on the charging dock and the charging plates on the main unit. Confirm if the charging indicator turns on.
Slow charging	When the product is used at extreme temperatures, to extend the battery life, the main unit will automatically reduce the charging speed. If the charging contacts are dirty, clean them with a dry cloth.
Cannot dock	If there are many obstacles near the charging dock, place it in a clear, open space. If the main unit is far away from the charging dock, place it near to the charging dock and try again.
Abnormal operation	Restart the appliance.
Abnormal noises while cleaning	If the main brush, side brush or driving wheel is entangled with debris, turn off the appliance and clean. If the universal wheel is dusty or jammed while cleaning, it is recommended to use a screwdriver to remove the wheel and rinse it under water.
Decreased cleaning ability or dust falls out of the main unit	If the dust box is full, clean the dust box. If the filter is clogged, clean the filter. If the main brush is entangled with debris, clean the main brush.
Cannot connect to WiFi	If WiFi function is not activated, reset WiFi and try again.
	If WiFi signal is poor, place the main unit within the coverage of WiFi signal.
	If WiFi connection is abnormal, reset WiFi, download the latest mobile client and try again.
	If the APP does not support the current device model, follow the prompts to check the models supported.

	Cannot connect to WiFi suddenly. If the router settings are incorrect, contact the customer service.
Scheduled cleaning does not start	Insufficient power. Scheduled cleaning will only start when the power level is greater than 15%.
Is energy consumption high if the main unit is kept on the charging dock?	Keeping the main unit on the charging dock helps to keep the battery at its best performance, and the energy consumption is low.
Is it necessary to charge for 16 hours during the first three uses?	Lithium batteries exhibit no memory effect. You may use the appliance when the battery is full.
Mopping module discharges little or no water	Check whether there is sufficient water in the water tank. Adjust the water volume to Large via the APP. Make sure the mop and mop holder are installed correctly according to the instructions.
Main unit does not resume cleaning after docking for charging	Make sure the main unit is not in "Do Not Disturb" mode, in which the main unit does not resume cleaning. It also does not resume cleaning if it is docked by pressing the Dock button or manually returned to the charging dock.
Main unit does not return to charging dock after cleaning a localized area or after being moved	After cleaning a localized area or being moved far away, the robot vacuum and mop cleaner will generate a new map. If the charging dock is far away, the main unit may not automatically dock. In this case, manually return the main unit back on the charging dock to charge.
Robot vacuum and mop cleaner misses spots	If the wall tracking sensor or edge sensor is dirty, clean them with a soft dry cloth.

Technical data

Product name	Robot vacuum and mop cleaner	Product model	SDJ01RM / SDJ01RM*
Rated operating voltage	14.4 V	Rated power	50 W
Lithium battery capacity	5200mAh	Rated charging voltage	24 V
Net weight	ca. 3.5 kg	Dimensions	355 x 355 x 100 mm
Charging time	ca. 250 minutes	Noise level (ECO/STANDARD/BOOST/MAX)	75dB A
Dust box capacity	300 ml	Cleaning time	ca. 250 minutes
Water tank capacity	About 220 ml	Battery type	lithium battery

Product name	Dust collector	Product model	JCZ01RM / JCZ01RM*
Rated power	850 W	Rated input	200-240 V~, 50-60 Hz
Rated output	24 V , 1.2 A	Dimensions	358 x 300 x 174 mm
Net weight	ca. 4.3 kg	Noise level	82 dB(A)
Vacuum time	ca. 12 seconds	Dust bag capacity	ca. 3L

Product name	Charging dock	Product model	HCZ01RM / HCZ01RM*
Rated operating voltage	24 V	Rated power	30 W
Rated input	24 V , 1.2 A	Rated output	24 V , 1.2 A
Net weight	ca. 0.4 kg	Dimensions	145 x 140 x 99 mm

Product name	Charging dock	Product model	HCZ01RM / HCZ01RM*
Rated operating voltage	24 V	Rated power	30 W
Rated input	24 V , 1.2 A	Rated output	24 V , 1.2 A
Net weight	ca. 0.4 kg	Dimensions	145 x 140 x 99 mm

“*” symbol indicates the product color, e.g. B = black, W = white, G = gray, P = purple.

Product name	Power adapter	Power adapter
Rated input	100-240V~, 50-60 Hz, 0.9 A	100-240V~, 50-60 Hz, max. 1.0 A
Rated output	24 V 1.2 A, 28.8 W	24 V 1.2 A, 28.8 W
Product model	China: DBS036A-2401200C ; United Kingdom: DBS036A-2401200B ; Korea: DBS036A-2401200K ; United States: DBS036A-2401200U ; Japan: DBS036A-2401200J ; European Union: DBS036A-2401200G ;	China: KA3601A-2401200CN ; United Kingdom: KA3601A-2401200BS ; Korea: KA3601A-2401200KR ; United States: KA3601A-2401200US ; Japan: KA3601A-2401200JP ; Australia: KA3601A-2401200AU ; European Union: KA3601A-2401200EU ;
Product name	Power adapter	Power adapter
Rated input	100-240V~, 50-60 Hz, 0.9 A	100-240V~, 50-60 Hz, max. 1.0 A
Rated output	24 V 1.2 A, 28.8 W	24 V 1.2 A, 28.8 W
Product model	China: DBS036A-2401200C ; United Kingdom: DBS036A-2401200B ; Korea: DBS036A-2401200K ; United States: DBS036A-2401200U ; Japan: DBS036A-2401200J ; European Union: DBS036A-2401200G ;	China: KA3601A-2401200CN ; United Kingdom: KA3601A-2401200BS ; Korea: KA3601A-2401200KR ; United States: KA3601A-2401200US ; Japan: KA3601A-2401200JP ; Australia: KA3601A-2401200AU ; European Union: KA3601A-2401200EU ;

System requirements: Android 5.0 or later, iOS 10.0 or later (iPhone 5 or later)

This product includes a WiFi module that supports the 802.11b/g/n transmission protocol.

2.4GHz WLAN Module SDJ01RM Frequency Range 2400-2483.5MHz Maximum Transmitting Power 20dBm(EIRP)

Disposal

Correct disposal of this product

This marking indicates that this product should not be disposed with other household wastes throughout the EU. To prevent possible harm to the environment or human health from uncontrolled waste disposal, recycle it responsibly to promote the sustainable reuse of material resources. To return your used device, please use the return and collection systems or contact the retailer where the product was purchased. They can take this product for environmental safe recycling.

Warranty and limitations of liability

This product is guaranteed for a period of 12 months (defined by local law) from the date of purchase against any failure resulting from manufacturing or material defects. This warranty does not cover damage caused by improper installation, improper use, or normal wear and tear of the product.

More specifically, the warranty does not cover:

- Dust bag, disposable mop, side brush, filter, mop, main brush and main brush cover are not covered by the

warranty as they are consumable items.

- Damage or problems caused by improper use, accident, alteration or electrical connection of improper intensity or voltage.
- Modified products, those whose warranty seal or serial number have been damaged, altered, removed or oxidized.
- Failure of the battery due to overcharging or failure to observe the safety instructions explained in the instruction manual.
- Cosmetic damage, including scratches, dents, or any other element.
- Damage caused by any intervention carried out by an unauthorised person.
- Defects caused by normal wear and tear or due to normal ageing of the product.
- Software updates due to a change in network settings.
- Product failures due to the use of third party software to modify, change or adapt the existing software.
- Product failures caused by use without accessories approved by the manufacturer.
- Oxidised products.

Terms and conditions of implementation

To obtain a warranty service, you are requested to return your product to the customer service desk of your retail outlet with your proof of purchase (receipt, invoice, ...), the product and its supplied accessories, with its original packaging.

It is important to have the date of purchase, the model and the serial or IMEI number on hand as information (this information usually appears on the product, the packaging or your proof of purchase).

Failing this, you must return the product with the accessories necessary for its proper operation (power supply, adaptor, etc.).

In the event that your claim is covered by the warranty, the after-sales service may, within the limits of local law, either:

- Repair or replace defective parts.
- Exchange the returned product with a product that has at least the same functionality and that is equivalent in terms of performance.
- Refund the product at the purchase price of the product mentioned on the proof of purchase.

If one of these 3 solutions is used, this does not give rise to the extension or renewal of the warranty period.

Warranty card

Customer name		Product name and model	
Mailing address		Main unit serial number	
Contact information		Purchase date	

This warranty card contains customers' personal information, keep it safe

Maintenance records

Servicing center	Fault description	Replacement parts	Servicing engineer	Servicing date

Manufacturer:ROIDMI INFORMATION TECHNOLOGY CO., LTD.

Address:4F,C8 BUILDING,NO.1699 HUIZHAN ROAD,LIFE SCIENCE AND TECHNOLOGY PARK,HUIZHAN DISTRICT, WUXI,JIANGSU,PRC Executive standards:

PPP 11005F:2018,EN 50564:2011

EN 60335-1:2012/A2:2019,EN 60335-2-2:2010/A1:2013,EN 62233:2008

EN 55014-1:2017,EN 55014-2:2015,EN IEC 61000-3-2:2019,EN 61000-3-3:2013/A1:2019

EN 301 489-1 V2.2.3:2019,EN 301 489-17 V3.2.4:2020

EN 300 328 V2.2.2:2019,EN IEC 62311:2020,EN 50665:2017

2011/65/EU

Service email: wxrm@roidmi.com


Website:—

No.09.2021

Only applicable to the robot vacuum and mop cleaner model SDJ01RM / SDJ01RM*

Made in China

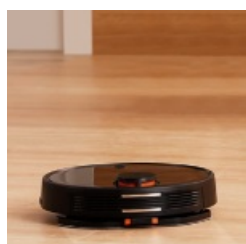
Documents / Resources

	<p>ROIDMI Eve Plus Robot Vacuum and Mop Cleaner [pdf] Instruction Manual Eve Plus, Robot Vacuum and Mop Cleaner, Eve Plus Robot Vacuum and Mop Cleaner</p>
---	---

References

- [ROIDMI Official | Robot Vacuum & Vacuum Cleaner – ROIDMI Official Site](#)
- [Roidmi-ShowDoc](#)

Related Posts



[VRillo J300 Robot Vacuum and Mop Cleaner User Guide](#)

VRillo J300 Robot Vacuum and Mop Cleaner Search and download 1uvo Smart App from Google Play or Apple...

[eureka NER600 Robot Vacuum Cleaner Instructions](#)



eureka NER600 Robot Vacuum Cleaner

[Ultenic D5s Pro Robot Vacuum Cleaner with Mop User Guide](#)



Ultenic D5s Pro Robot Vacuum Cleaner with Mop User Guide Assembly Instructions Remove the protective film before use...

[roborock S4Max Robot Vacuum Cleaner User Manual](#)



How do I use Google Home to control Roborock? Note: Make sure your robot is added and online...