

HKoenig

mxk32

Instruction Manual

Manuel d'instructions
Bedienungsanleitung
Gebruiksaanwijzing
Manual de instrucciones
Manuale d'uso
Instrukcja obsługi



Blender

Mixeur
Standmixer
Blender
Batidora
Frullatore



ENGLISH

In order to let the product better working for you, please read the instruction before using it. Please put away well the instruction after reading for consulting in later days.

ATTENTION :

- Wrong operation and improper handling can cause problems with the appliance and injury to the user.
- The unit may be used only for the intended purposes. No liability is accepted for damages arising from improper use or faulty handling.
- Before connecting to the mains, please check whether the type of supply and the mains voltage match with the details given on the nameplate on the appliance.
- Do not immerse the appliance and mains plug in water or other fluids. Should the appliance still fall in water some time, pull out the power plug immediately and have the appliance checked by an expert before using it again. There is danger to life from electrical shock!
- Do not try to open the housing yourself! Do not introduce any kind of objects into the housing.
- Do not use the appliance with wet hands, on moist floor or when the ambience is humid.
- Do not hold the mains plug with wet or moist hands.
- Check the mains plug and mains adapter regularly for damages. If the supply cord or plug is damaged, it must be replaced by manufacturer, its service agent or similarly qualified persons in order to avoid a hazard.
- Do not operate the appliance, if power cable or the mains plug shows damage or the unit falls to the floor

or has been damaged otherwise. In such cases, bring the unit to the workshop for checking and repairs, if necessary.

- Do not ever try to repair the unit yourselves. There is danger from electrical shock!
- Do not let the power cord hang over sharp edges and keep it away from hot objects and open flames. Pull the plug itself to remove it from the plug socket.
- Installation of a spike protector will offer additional protection with a nominal trigger current of not more than 30 Ma in the house installation. Please consult your installing electrician.
- The cable as well any extension cable required should be laid such that there will not be any risk of anyone pulling it inadvertently or tripping over it.
- If a long extension cable is used, it must be suitable for the power supply in question. Otherwise it causes overheating of the cable and/ or plug.
- Set the unit on a rigid, flat and heat-proof surface, not near open flames (such as gas oven) and operate it out of reach of children.
- This appliance is suitable neither for commercial use nor for use outdoors.
- Children cannot sense the dangers caused by improper handling of electrical devices.
- Children should be supervised to ensure that they do not play with the appliance.
- This appliance is not intended for use by persons (including children) with reduced physical, sensory or mental capabilities, or lack of experience and knowledge, unless they have been given supervision

or instruction concerning use of the appliance by a person responsible for their safety.

- Pull out the plug out of the socket, when the appliance is not in use and also before cleaning.
- Caution! The appliance is on power so long as it is connected to the power circuit.
- Care shall be taken when handling the sharp cutting blades, emptying the bowl and during cleaning.
- Avoid to potential injury from misuse
- Switch off the appliance and disconnect from supply before changing accessories or approaching parts that move in use.
- Switch off the unit before pulling out the mains plug.
- Use only spare parts from the manufacturer or his local dealer.
- Never carry the unit by its power cord.
- Do not remove individual housing components.
- When mixing hot liquids/foods excess pressure may build up inside the blender, and this could make the lid come off and the contents splash out. We therefore recommend that you avoid mixing excessively hot foods and that you only put very small quantities of hot liquids or foods into the blender.
- Do not use the blender for very hard food products, such as bones, shelled nuts, frozen meats etc., which could either damage the blade or cause the motor to seize.
- The device must not be used if it has been dropped, it obvious signs of damage are visible or if it has leaks.
- This appliance may be used by children of at least 8 years of age, as long as they are supervised and

have been given instructions about using the appliance safely and are fully aware of the dangers involved.

- Cleaning and maintenance should not be carried out by children unless they are at least 8 years of age and are supervised by an adult.
- Keep the appliance and its power cord out of reach of children under 8 years of age.
- When using electrical equipment, safety precautions must always be taken to prevent the risk of fire, electric shock and/or injury in the event of misuse.
- Make sure that the voltage rating on the typeplate corresponds to your main voltage of your installation. If this is not the case, contact the dealer and do not connect the unit.
- Never leave the unit unattended while in operation.
- Please keep this document at hand and give it to the future owner in case of transfer of your device.
- Do not use outside.
- The device is not intended to be operated by external timer means or a remote control system.

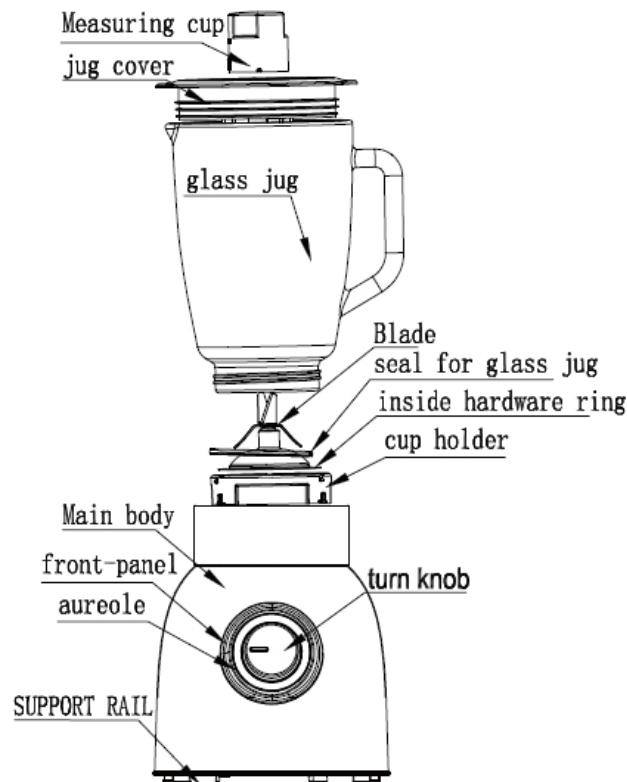
Caution:

Switch off the unit before clean it to avoid creepage and other dangers. When the plug or power cord have damage, do not use the unit, even not to disassembly by yourself, must be inform the after- service center to handle.

SPECIAL SECURITY PRECAUTIONS

- **Caution:** The blades of the jug are very sharp. There is a danger of injury! While the blades are turning, never touch the jug from the inside and never put any objects inside.
- Only use equipment endorsed by the manufacturer.
- Only use the unit with tightly closed cover and inserted closure.
- The unit is equipped with a security function. The unit can only be switched on if the jug is put on the engine base properly. If the unit cannot be switched on, pull the power cable and check the connection between jug and engine base.

PARTS ITEM



INSTALLATION

1. Clean the measuring cup, cover and jar (except main body) and so on before first using.
2. To make sure the unit is turned off and not to connect before installation.
3. First ring the jar sealed ring into blade base, then enclose the blade base into jar, last rock the jar slightly causing it to lock into place.
4. Fit the blender glass jar onto the main body, and turn it slightly in a clockwise so it locks with the motor section. Fill the jug with the desired foods. Please ensure the water not spill over from cup. (Maximal water capacity cannot exceed 1500 ml) DO NOT USE THE UNIT WITHOUT ANY MATERIAL INSIDE.
5. Put the cover on top of the jar and push it down. Insert the closure into the cover and turn till it locks into place.
6. Place the measuring cup on the center of cover, anticlockwise rock the measuring cup slightly.

OPERATION

1. Connect the power.
2. This unit have safety design, it do not work if the jar is not install on main body properly.
3. Turn the turning knob P/0/1/2/3/4/5 to position 0 in order to make sure the unit is turned off.
4. Fill the jug with the desired foods
5. Put the cover on top of the jar and fix it. Place the measuring cup on the center of cover, anticlockwise rock the measuring cup slightly.
6. Put the blender glass jar onto the main body, and turn it slightly in a clockwise so it locks with the motor base.and the machine was fully assembled.

7. Turning the knob to required speed (P—pulse, grade 1 to 5 means speed of blades from low to high).
8. During working mode, the blue light around the knob is on.

Speed adjust:

P—pulse –Stainless steel blade operate with transitorily highest speed, suitable for ice.

1—Stainless steel blade operate with low speed.

2—Stainless steel blade operate with higher speed than grade 1 but lower speed than grade 3.

3—Stainless steel blade operate with higher speed than grade 2 but lower speed than grade 4.

4—Stainless steel blade operate with higher speed than grade 3 but lower speed than grade 5.

5—Stainless steel blade operate with higher speed than grade 4 and it is the highest speed of the machine.

0—turn off the unit.

Caution:

1. Over-filled can block the operation, please turn off the unit and do not connect the plug, take out some of material, then operating.
2. Do not use unit continuous more than 2 minutes.

CLEANING AND STORAGE

- In addition to this, you must refer to the security precautions.
- Do not clean Motor main body, power cord and plug with water.
- Clean the engine base with a soft, wet piece of cloth and some mild cleaning agent.
- Fill the jug half-full with hot water and a little cleaning agent. Let the unit run on speed 2 until the jug is clean.
- The jar base bottom with the blades can be taken apart. Screw off the base bootm counter-clockwise which is marked “un-lock” on the bottom. Take out the blades together with sealing ring facing upwards.
- Now clean jug, cover, closure, base and blades with sealing ring with hot water and some cleaning agent.

Dry well before re-using. Caution! The blades inside of the jug are very sharp.

- Never use aggressive cleaning agents.

Warning:

Do not touch the sharp blade. When clean, please wipe by dishcloth, to avoid accidentally injure.

Note:

1. Unit suitable for household only.
2. Overheat protection
In order to prolong the device's service life, an overheat protecting unit is installed. If the motor runs too long or overloaded, the temperature reaches the warning value and the motor will stop automatically. Pull out power supply plug and wait for the motor to cool (about 20 to 30 minutes), then use again.
If you have any problem with this device, do not disassemble it by yourself. Always contact the service department or after-sale service department.
3. Do not use for commerce. Otherwise the maintain service will invalid.

CLEANING

Cleaning the Blender Jug

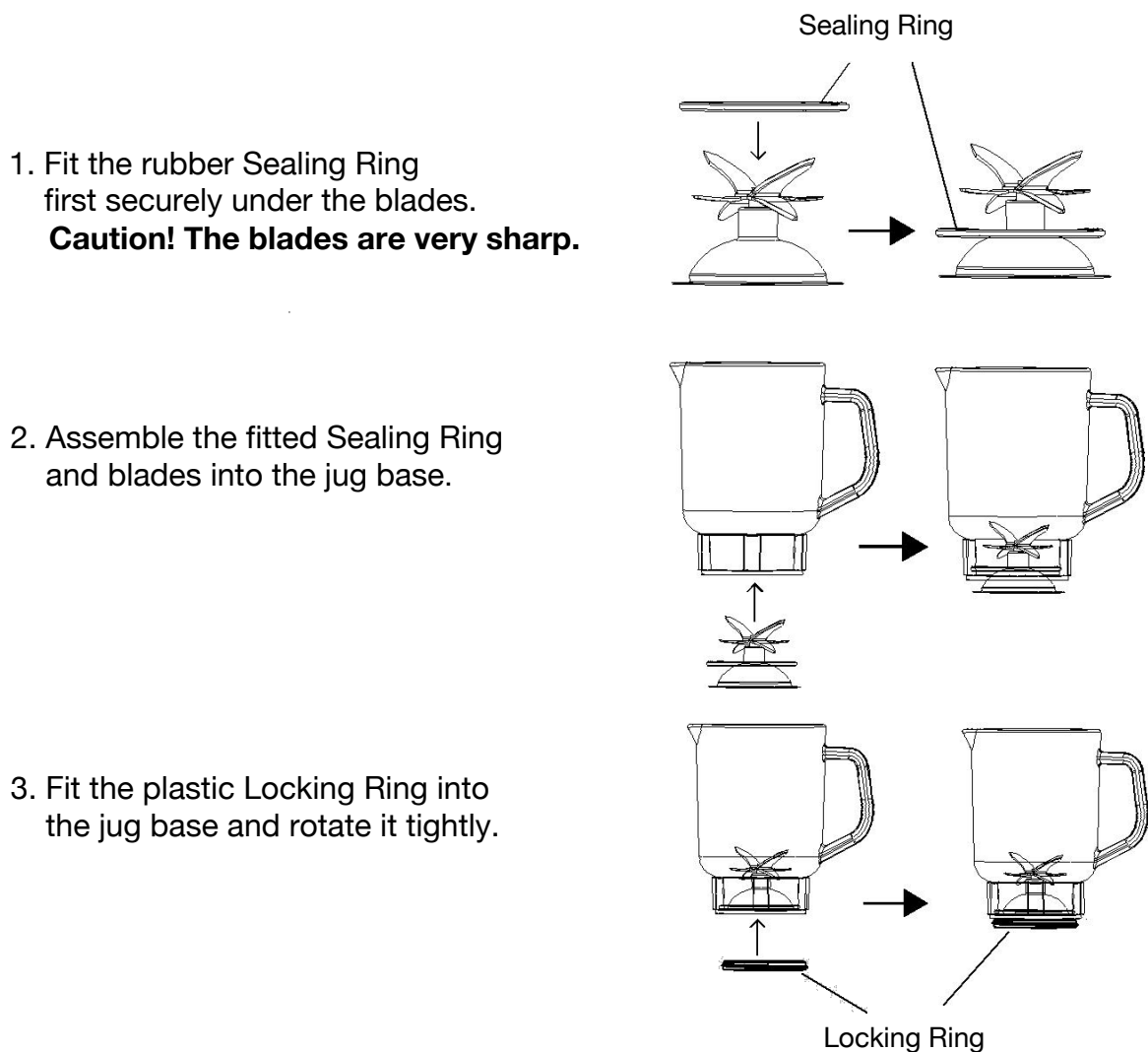
1. Pour about 500ml of warm soapy water into the jug and place the jug on the base.
2. Use the pulse mode to loosen any food particles and free them from the blades.
 - Remove the jug, pour away the water and rinse in fresh running water. Repeat steps 1 and 2 with fresh water.
 - Alternatively the jug may be immersed in warm soapy water and cleaned using a long handled brush. Do not touch the blades when cleaning.
 - Wash the lid and measuring cup separately in warm soapy water, rinse and allow to dry.



- The jug body should be handled carefully. The jug contains moving parts- do not leave the jug immersed in water for longer than necessary to clean it or you may affect the operating performance of the blender.
- Handle blades with care especially during cleaning as they are extremely sharp.
- **DO NOT** wash the jug or attachments in a dishwasher.



Although it is not advisable to take apart the jug base with the blades, in case you have taken it apart, you should re-install the parts back in the correct order.



Cleaning the Base

1. Ensure the blender is switched off and unplugged from the mains.
2. Wipe the outer surface of the motor unit with a damp cloth. Never use abrasive cleaners or scouring creams.



Never immerse the base in water when cleaning.

WARRANTY

The warranty period for our products is 2 years, unless otherwise stated, starting from the date of initial purchase or the date of delivery.

If you have any problems or questions, you can easily access our help pages, troubleshooting tips, FAQ, and user manuals on our service site: <https://sav.hkoenig.com>.

By typing the reference name of your device in the search bar, you can access all available online support, designed to best meet your needs.

If you still cannot find an answer to your question or problem, then click on “Did the answer solve your problem?”. This will direct you to the Customer Support Request Form, which you can fill out to validate your request and get help.

WARRANTY CONDITIONS

The warranty covers all failures occurring under normal use, in accordance with the usage and specifications in the user's manual.

This warranty does not apply to packaging or transportation problems during shipment of the product by the owner. It also does not include normal wear and tear of the product, nor maintenance or replacement of consumable parts.

EXCLUSION OF WARRANTY

- Accessories and wearing parts (*).
- Normal maintenance of the device.
- All breakdowns resulting from improper use (shocks, failure to comply with power supply recommendations, poor conditions of use, etc.), insufficient maintenance or misuse of the device, as well as the use of unsuitable accessories.
- Damage of external origin: fire, water damage, electrical surge, etc.
- Any equipment that has been disassembled, even partially, by persons other than those authorized to do so (notably the user).
- The products whose serial number would be missing, deteriorated or illegible that would not allow its identification.
- The products subjected to leasing, demonstration, or exhibition.

(*) Some parts of your device, called wear parts or consumables, deteriorate with time and frequency of use of your device. This wear and tear are normal but can be accentuated by poor conditions of use or maintenance of your device. These parts are therefore not covered by the warranty.

The accessories supplied with the device are also excluded from the warranty. They cannot be exchanged or refunded. However, some accessories can be purchased directly through our website: <https://sav.hkoenig.com/>.

ENVIRONMENT



CAUTION:

Do not dispose of this product as it has with other household products. There is a separation of this waste product into communities, you will need to inform your local authorities about the places where you can return this product. In fact, electrical and electronic products contain hazardous substances that have harmful effects on the environment or human health and should be recycled. The symbol here indicates that electrical and electronic equipment should be chosen carefully, a wheeled waste container is marked with a cross.

Adeva SAS / H.Koenig Europe - 8 rue Marc Seguin - 77290 Mitry Mory - France
www.hkoenig.com - sav@hkoenig.com - contact@hkoenig.com - Tél: +33 1 64 67 00 05

FRANÇAIS

Pour que le mixeur fonctionne au mieux de ses capacités, veuillez lire le mode d'emploi avant de l'utiliser. Veuillez conserver soigneusement ce manuel pour l'avoir toujours à portée de main.

ATTENTION :

- Une mauvaise utilisation et une manipulation inappropriée peuvent causer des problèmes à l'appareil et blesser l'utilisateur.
- L'appareil ne peut être utilisé que ce pourquoi il a été conçu. Aucune responsabilité n'est acceptée pour les dommages résultant d'une mauvaise utilisation ou d'une manipulation inappropriée.
- Avant le raccordement au réseau, veuillez vérifier si le type d'alimentation et la tension du secteur correspondent aux indications figurant sur la plaque signalétique de l'appareil.
- Ne pas immerger l'appareil et la fiche du cordon d'alimentation dans de l'eau ou d'autres liquides. Si malgré tout, l'appareil tombe dans l'eau, débranchez immédiatement la prise de courant et faites vérifier l'appareil par un technicien avant de l'utiliser à nouveau. Il y a danger de mort en cas de choc électrique !
- N'essayez pas d'ouvrir le bloc-moteur vous-même ! N'introduisez aucun objet à l'intérieur.
- N'utilisez pas l'appareil avec les mains mouillées, sur un sol humide ou lorsque l'ambiance est humide.
- Ne tenez pas la fiche du cordon d'alimentation avec les mains mouillées ou humides.

- Vérifiez régulièrement que le cordon d'alimentation et la fiche ne soient pas endommagés. Dans le cas contraire, ils doivent être remplacés par le fabricant, son agent de service ou des personnes qualifiées afin d'éviter tout risque d'accident.
- N'utilisez pas l'appareil si le câble d'alimentation ou la fiche est endommagé ou si l'appareil tombe au sol ou a été abimé. Dans ce cas, amenez l'appareil à l'atelier pour vérification et réparation, si nécessaire.
- N'essayez jamais de réparer l'appareil vous-même. Il y a un risque d'électrocution !
- Ne laissez pas le cordon d'alimentation pendre sur des bords tranchants et gardez-le à l'écart des objets chauds et des flammes. Tirez sur la fiche elle-même pour la retirer de la prise de courant et non sur le cordon.
- L'installation d'un onduleur offrira une protection supplémentaire contre les surtensions avec un courant de déclenchement nominal ne dépassant pas 30 Ma dans l'installation de la maison. Veuillez consulter votre électricien chargé de l'installation.
- Le câble ainsi que la rallonge éventuelle doivent être posés de telle sorte qu'il n'y ait aucun risque que quelqu'un le tire par inadvertance ou trébuche sur lui.
- Si une rallonge doit être utilisée, elle doit correspondre à l'alimentation électrique en place. Dans le cas contraire, cela provoque une surchauffe du câble et/ou de la fiche.
- Placez l'appareil sur une surface rigide, plane et résistante à la chaleur, à l'écart des flammes (comme un four à gaz) et faites-le fonctionner hors de portée des

enfants.

- Cet appareil ne convient ni à un usage commercial ni à un usage extérieur.
- Les enfants ne se rendent pas compte des dangers causés par une mauvaise manipulation des appareils électriques.
- Les enfants doivent être surveillés pour s'assurer qu'ils ne jouent pas avec l'appareil.
- Cet appareil n'est pas destiné à être utilisé par des personnes (y compris les enfants) ayant des capacités physiques, sensorielles ou mentales réduites, ou un manque d'expérience et de connaissances, à moins qu'elles n'aient reçu une supervision ou des instructions concernant l'utilisation de l'appareil par une personne responsable de leur sécurité.
- Retirez la fiche de la prise de courant lorsque l'appareil n'est pas utilisé et avant de le nettoyer.
- Attention ! L'appareil est sous tension tant qu'il est connecté au circuit d'alimentation.
- Des précautions doivent être prises lors de la manipulation des couteaux, quand on vide ou nettoie le bol.
- Éviter les blessures potentielles dues à une mauvaise utilisation.
- Éteignez l'appareil et débranchez-le avant de changer d'accessoire.
- Éteignez l'appareil avant de le débrancher.
- N'utilisez que des pièces de rechange du fabricant ou de son revendeur local.
- Ne transportez jamais l'appareil par son cordon d'alimentation.

- N'enlevez pas les composants individuels du bloc-moteur.
- Lorsque vous mélangez des liquides ou des aliments chauds, une pression excessive peut s'accumuler dans le bol, ce qui pourrait expulser le couvercle et le contenu. Nous vous recommandons donc d'éviter de mélanger des aliments trop chauds et de ne mettre que de très petites quantités de liquides ou d'aliments chauds dans le mixeur.
- N'utilisez pas le mixeur pour des produits alimentaires très durs, tels que les os, les noix décortiquées, les viandes congelées, etc., ce qui pourrait abîmer les couteaux ou le moteur.
- L'appareil ne doit pas être utilisé s'il a chuté, s'il y a des signes visibles de dommages ou en cas de fuite.
- Cet appareil peut être utilisé par des enfants âgés d'au moins 8 ans, à condition qu'ils bénéficient d'une surveillance ou qu'ils aient reçu des instructions quant à l'utilisation de l'appareil en toute sécurité et qu'ils comprennent bien les dangers encourus.
- Le nettoyage et l'entretien par l'utilisateur ne doivent pas être effectués par des enfants, à moins qu'ils ne soient âgés de plus de 8 ans et qu'ils soient sous la surveillance d'un adulte.
- Conserver l'appareil et son câble hors de portée des enfants âgés de moins de 8 ans.
- Lors de l'utilisation d'appareils électriques, des précautions de sécurité doivent toujours être prises pour prévenir tout risque d'incendie, de choc électrique et/ou de blessure en cas de mauvaise utilisation.

- Vérifier que le voltage indiqué sur la plaque signalétique de l'appareil correspond bien à celui de votre installation électrique. Si ce n'est pas le cas, adressez-vous au revendeur et ne branchez pas l'appareil.
- Ne jamais laisser l'appareil sans surveillance lorsqu'il est en fonctionnement.
- Veuillez conserver ce document à disposition et le remettre au futur propriétaire en cas de cession de votre appareil.
- Ne pas utiliser à l'extérieur.
- L'appareil n'est pas destiné à être actionnés par des moyens de minuterie externe ou un système de télécommande.

Attention :

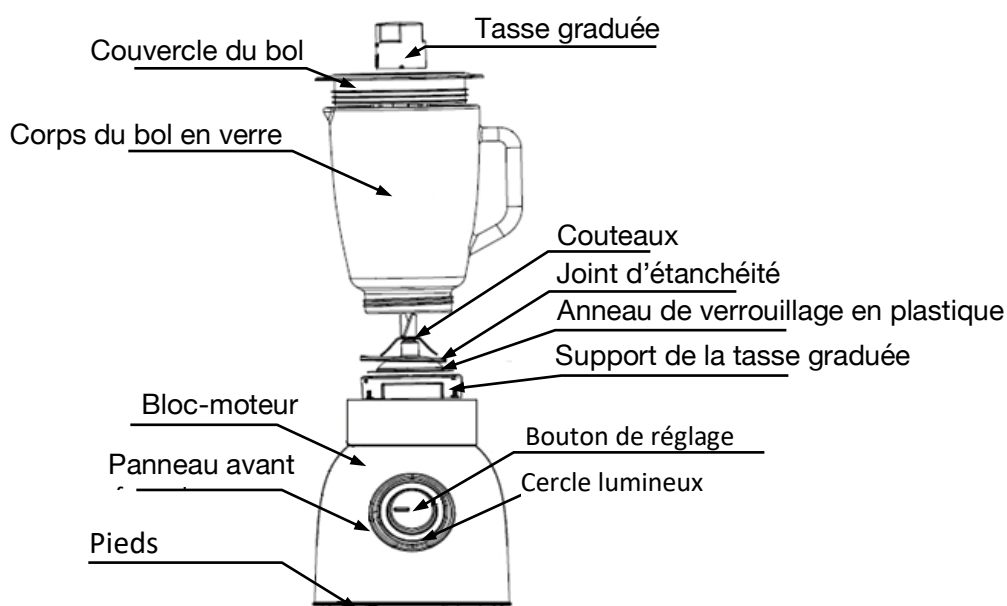
Éteignez l'appareil avant de le nettoyer afin d'éviter tout risque de fluage et autres dangers. Si la fiche ou le cordon d'alimentation est endommagé, n'utilisez pas l'appareil et n'essayez pas le démonter vous-même. Vous devez contacter le centre de service après-vente pour cela.

PRÉCAUTIONS DE SÉCURITÉ PARTICULIÈRES

- Attention : Les couteaux du bol sont très tranchants. Risque de blessure ! Pendant le fonctionnement, ne mettez jamais la main ou d'objets à l'intérieur du bol.
- N'utilisez que des accessoires approuvés par le fabricant.
- N'utilisez l'appareil qu'avec un couvercle hermétiquement fermé et une fermeture insérée.

- L'appareil est équipé d'une fonction de sécurité. L'appareil ne peut être mis en marche que si le bol est placé correctement sur la base du bloc-moteur. Si l'appareil ne démarre pas, débranchez-le et vérifiez la connexion entre le bol et le bloc-moteur.

DESCRIPTION



INSTALLATION

1. Nettoyer la tasse graduée, le couvercle et le bol (sauf le bloc-moteur) avant la première utilisation.
2. Vérifier que l'appareil est éteint et débranché avant de le monter.
3. Tout d'abord placer le joint d'étanchéité du bol à la base des couteaux, puis placer ceux-ci dans le bol, enfin secouer légèrement le bol pour achever la mise en place.
4. Placer le bol en verre du mixeur sur le bloc-moteur et le tourner légèrement dans le sens des aiguilles d'une montre pour le verrouiller. Remplir le bol avec les aliments souhaités. Veillez à ce que l'eau ne déborde pas de la tasse graduée. (La capacité maximale est de 1500 ml) **N'UTILISEZ PAS L'APPAREIL SANS AUCUN ALIMENT À L'INTÉRIEUR.**
5. Mettre le couvercle sur le bol et l'enfoncer. Insérez la fermeture dans le couvercle et tournez-la jusqu'à ce qu'elle soit verrouillée.
6. Placer la tasse graduée au centre du couvercle, tourner-la légèrement dans le sens inverse des aiguilles d'une montre.

FUNCTIONNEMENT

1. Brancher l'appareil.
2. Cet appareil possède une fonction de sécurité, il ne fonctionne pas si le bol n'est pas installé correctement sur le bloc-moteur.
3. Tournez le bouton de réglage P/0/1/2/2/3/4/5 en position 0 pour vous assurer que l'appareil est éteint.
4. Remplir le bol avec les aliments souhaités.
5. Mettre le couvercle sur le bol et l'enfoncer. Placer la tasse graduée au centre du couvercle, tourner-la légèrement dans le sens inverse des aiguilles d'une montre.
6. Mettre le bol en verre du mixeur sur le bloc-moteur et le visser légèrement dans le sens des aiguilles d'une montre pour le verrouiller et pour que la machine soit complètement assemblée.
7. Tourner le bouton à la vitesse requise (vitesses 1 à 5).
8. Durant le fonctionnement, la lumière bleue autour du bouton est allumée.

Réglage de la vitesse :

P-pulse – Les couteaux en acier inoxydable fonctionnent au maximum ; vitesse adaptée pour la glace.

- 1 – Les couteaux en acier inoxydable fonctionnent à basse vitesse.
 - 2 – Les couteaux en acier inoxydable fonctionnent à une vitesse supérieure à celle de la position 1, mais à une vitesse inférieure à celle de la position 3.
 - 3 – Les couteaux en acier inoxydable fonctionnent à une vitesse supérieure à celle de la position 2, mais à une vitesse inférieure à celle de la position 4.
 - 4 – Les couteaux en acier inoxydable fonctionnent à une vitesse supérieure à celle de la position 3, mais à une vitesse inférieure à celle de la position 5.
 - 5 – Les couteaux en acier inoxydable fonctionnent à une vitesse supérieure à la position 4 et c'est la vitesse la plus élevée de la machine.
- 0 – éteindre l'appareil.

Attention :

1. Un trop plein peut bloquer le fonctionnement, veuillez éteindre l'appareil et débrancher la fiche, retirer une partie des aliments, puis le faire fonctionner à nouveau.
2. N'utilisez pas l'appareil en continu pendant plus de 2 minutes.

NETTOYAGE ET RANGEMENT

- En plus de cela, vous devez vous référer aux précautions de sécurité.
- Ne pas nettoyer le bloc-moteur, le cordon d'alimentation et la fiche avec de l'eau.
- Nettoyer le bloc-moteur à l'aide d'un chiffon doux et humide et d'un produit de nettoyage doux.

- Remplir le bol à moitié avec de l'eau chaude et un peu de produit de nettoyage. Laisser l'appareil fonctionner à la vitesse 2 jusqu'à ce que le bol soit propre.
- Le fond de la base du bol avec les couteaux peut être démonté. Dévisser la base dans le sens inverse des aiguilles d'une montre qui est marquée "un-lock" sur le fond. Sortir les couteaux avec le joint d'étanchéité vers le haut.
- Maintenant, nettoyer le bol, le couvercle, la fermeture, la base, les couteaux et le joint d'étanchéité avec de l'eau chaude et un peu de produit de nettoyage. Bien sécher avant de réutiliser. Attention ! Les couteaux à l'intérieur du bol sont très tranchants.
- Ne jamais utiliser de produits de nettoyage agressifs

Avertissement :

Ne pas toucher les couteaux tranchants. Une fois propre, veuillez les essuyer à l'aide d'un chiffon à vaisselle pour éviter de vous blesser accidentellement

Note :

1. Appareil à usage domestique uniquement.
2. Protection contre la surchauffe : afin de prolonger la durée de vie de l'appareil, un système de protection contre la surchauffe est installé. Si le moteur tourne trop longtemps ou est en surcharge, la température atteint la température limite et le moteur s'arrête automatiquement. Débrancher le mixeur et attendre que le moteur refroidisse (environ 20 à 30 minutes), puis l'utiliser à nouveau. Si vous avez un problème avec cet appareil, ne le démontez pas vous-même, mais contactez le service après-vente.
3. Ne pas utiliser pour un but commercial. Dans le cas contraire, la garantie sera annulée.

NETTOYAGE

Nettoyage du bol

1. Versez environ 500 ml d'eau chaude savonneuse dans le bol et placez-le sur la base.
2. Utilisez le mode pulsation P pour détacher les particules de nourriture et les libérer des couteaux.
 - Retirez le bol, versez l'eau et rincez à l'eau courante, répéter les étapes 1 et 2 avec de l'eau fraîche
 - Il est également possible d'immerger le bol dans de l'eau chaude savonneuse et de la nettoyer à l'aide d'une brosse à manche long. Ne pas toucher les couteaux lors du nettoyage.
 - Lavez le couvercle et la tasse graduée séparément dans de l'eau chaude savonneuse, rincez et laissez sécher.



- Le corps du bol doit être manipulé avec précaution. Il contient des pièces mobiles - ne le laissez pas immergée dans l'eau plus longtemps que nécessaire pour le nettoyer ou vous risquez d'affecter les performances du mélangeur.
- Manipulez les couteaux avec précaution surtout pendant le nettoyage, car ils sont extrêmement tranchants.
- **NE PAS** laver le bol ou les accessoires dans un lave-vaisselle.



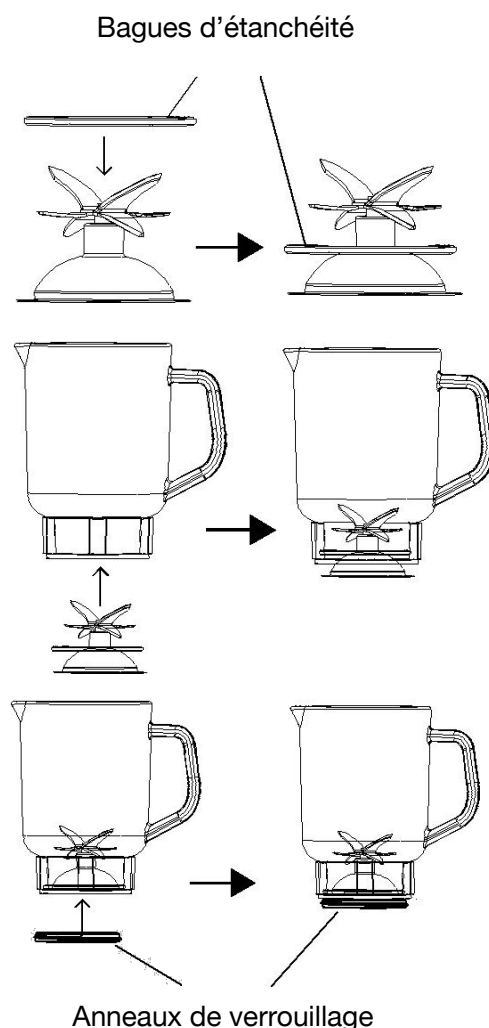
Bien qu'il ne soit pas recommandé de démonter la base du bol avec les couteaux, au cas où vous l'auriez démonté, vous devriez réinstaller les pièces dans l'ordre correct.

1. Placer d'abord le joint d'étanchéité sous les couteaux.

Attention ! Les couteaux sont très coupants.

2. Disposer le tout dans la base du bol.

3. Monter l'anneau de verrouillage en plastique dans la base du bol et visser fermement.



Nettoyage du bloc-moteur

1. S'assurer que le mixeur est éteint et débranché
2. Essuyer la surface extérieure du bloc-moteur avec un chiffon humide. N'utilisez jamais de nettoyeurs abrasifs ou de crèmes à récurer.



Ne plongez jamais le bloc-moteur dans l'eau pour le laver.

GARANTIE

La durée de garantie de nos produits est de 2 ans, sauf décret en vigueur, à compter de la date d'achat initiale ou la date de livraison.

En cas de problèmes ou d'interrogations, vous pouvez facilement accéder à nos pages d'aides, conseils de dépannage, FAQ et modes d'emplois sur notre site SAV : <https://sav.hkoenig.com>.

En tapant le nom de référence de votre appareil dans la barre de recherche, vous accédez à tous les supports en ligne disponibles, conçus pour vous répondre au mieux à vos besoins.

Si vous ne trouvez toujours pas de réponse à votre question ou votre problème, alors cliquez sur « Est-ce que la réponse a résolu votre problème ? ». Vous accéderez alors au formulaire de demande d'assistance SAV, qu'il vous suffira de compléter pour valider votre demande et obtenir de l'aide.

CONDITIONS DE GARANTIE

La garantie couvre l'ensemble des pannes survenant dans le cadre d'une utilisation normale, conforme aux usages et spécifications présentes sur le manuel d'utilisation.

Cette garantie ne s'applique pas aux problèmes d'emballage ou de transport pendant l'expédition du produit par son propriétaire. Elle n'inclut également pas l'usure normale du produit, ni la maintenance ou le remplacement de pièces consommables.

EXCLUSION DE GARANTIE

- Les accessoires et les pièces d'usure (*).
- L'entretien normal de l'appareil.
- Toutes pannes survenant par suite d'une mauvaise utilisation (chocs, non-respect des préconisations d'alimentation électrique, mauvaises conditions d'utilisation, etc.), d'un entretien insuffisant ou d'un détournement de fonction de l'appareil, ainsi que l'usage d'accessoires non appropriés.
- Les dommages d'origine externe : incendie, dégâts des eaux, surtension électrique, etc.
- Tout matériel qui aura été démonté même partiellement par des personnes autres que celles habilitées (notamment l'utilisateur).
- Les produits dont le numéro de série serait absent, détérioré ou illisible que ne permettrait pas son identification.
- Les produits soumis à la location, à la démonstration ou à l'exposition.

(*) Certaines pièces de votre appareil dites pièces d'usure ou consommables se détériorent avec le temps et la fréquence d'usage de votre appareil. Cette usure est normale, mais peut être accentuée par des mauvaises conditions d'utilisation ou entretien de votre appareil. Ces pièces ne sont donc pas couvertes par la garantie.

Les accessoires fournis avec l'appareil sont également exclus du champ de la garantie. Ils ne peuvent donc être ni échangés, ni remboursés. Toutefois, certains accessoires peuvent être directement achetés via notre site : <https://sav.hkoenig.com/>.

ENVIRONNEMENT

ATTENTION :



Vous ne devez pas vous débarrasser de cet appareil avec vos déchets ménagers. Un système de collecte sélective pour ce type de produit est mis en place par les communes, vous devez vous renseigner auprès de votre mairie afin d'en connaître les emplacements. En effet, les produits électriques et électroniques peuvent contenir des substances dangereuses qui ont des effets néfastes sur l'environnement ou la santé humaine et doivent être recyclés. Le symbole ci-contre indique que les équipements électriques et électroniques font l'objet d'une collecte sélective, il représente une poubelle sur roues barrée d'une croix.

Adeva SAS / H.Koenig Europe - 8 rue Marc Seguin - 77290 Mitry Mory - France

www.hkoenig.com - sav@hkoenig.com - contact@hkoenig.com - Tél: +33 1 64 67 00 05

DEUTSCH

Um eine bessere Leistung zu erbringen, lesen Sie die Bedienungsanleitung vor dem Gebrauch. Bewahren Sie bitte die Anleitung nach dem Lesen auf für künftige Referenz.

ACHTUNG :

- Falsche Bedienung und unsachgemäße Handhabung kann Probleme mit dem Gerät verursachen und zu Verletzungen des Verbrauchers führen.
- Das Gerät darf nur für den vorgesehenen Zweck verwendet werden. Es wird keine Haftung für Beschädigungen übernommen, die durch unsachgemäßen Gebrauch oder fehlerhafte Handhabung entstanden sind.
- Bevor Sie das Gerät mit dem Netz verbinden, kontrollieren Sie bitte, ob der Versorgungstyp mit der Netzspannung übereinstimmt; die Einzelheiten sind auf dem Namensschild des Geräts angegeben.
- Tauchen Sie das Gerät und den Netzstecker nicht in Wasser, oder andere Flüssigkeiten. Sollte das Gerät in Wasser fallen, ziehen unverzüglich Sie den Stromstecker und lassen Sie das Gerät von einem Experten überprüfen, bevor Sie dieses wieder benutzen. Es besteht Lebensgefahr durch einen Stromschlag!
- Versuchen Sie nicht, das Gehäuse selber zu öffnen! Stecken Sie keine Gegenstände in das Gehäuse.
- Benutzen Sie das Gerät nicht mit feuchten Händen, auf nassen Böden oder wenn die Umgebung feucht ist.

- Halten Sie den Stromstecker nicht mit nassen oder feuchten Händen.
- Kontrollieren Sie den Stromstecker und das Netzteil regelmäßig auf Beschädigungen. Wenn das Stromkabel oder der Stecker beschädigt sind, müssen diese von dem Hersteller, seinem Dienstleister oder einer ähnlich qualifizierten Person ersetzt werden, um Gefahren zu vermeiden.
- Bedienen Sie das Gerät nicht, wenn das Stromkabel oder der Stecker Beschädigungen aufweisen oder das Gerät auf den Boden gefallen oder anders beschädigt ist. In diesen Fällen Sie das Gerät in eine Werkstatt, für eine Diagnose und Reparatur, falls nötig.
- Versuchen Sie niemals, das Gerät selber zu reparieren. Es besteht die Gefahr eines Stromschlages!
- Lassen Sie das Stromkabel nicht über scharfe Kanten hängen und halten Sie es von heißen Gegenständen und offenen Flammen fern. Ziehen Sie am Stecker, um diesen aus der Steckdose zu entfernen.
- Die Installation eines Spike-Protectors bietet einen zusätzlichen Schutz mit einem Nennstrom von nicht mehr als 30 mA bei der Hausinstallation. Lassen Sie sich von dem installierenden Elektriker beraten.
- Das Kabel, genauso wie jedes Verlängerungskabel muss so platziert werden, dass es kein Risiko für Personen darstellt, indem sie dran versehentlich ziehen oder darüber stolpern.
- Wenn ein langes Verlängerungskabel benutzt wird, muss es für die relevante Stromversorgung passend sein. Ansonsten wird es eine Überhitzung des Kabels und /

oder des Steckers verursachen.

- Platzieren Sie das Gerät auf einer festen, flachen und hitzebeständigen Fläche, nicht in der Nähe von offenem Feuer (wie z.B. einem Gasofen) und bedienen Sie es außer Reichweite von Kindern.
- Dieses Gerät ist weder für eine kommerzielle Nutzung, noch für eine Nutzung draußen geeignet.
- Kinder müssen beaufsichtigt werden, um sicherzustellen, dass diese mit dem Gerät nicht spielen.
- Das Gerät ist nicht dafür geeignet, von Personen (einschließlich Kindern) mit eingeschränkten physischen, sensorischen oder geistigen Fähigkeiten oder mangels Erfahrung und Wissen benutzt werden, es sei denn sie werden beaufsichtigt oder erhalten Anweisungen, wie das Gerät sicher zu benutzen ist von der für ihre Sicherheit zuständigen Person.
- Ziehen Sie den Stecker aus der Steckdose, wenn das Gerät nicht benutzt wird und auch vor der Reinigung.
- Achtung! Das Gerät steht unter Strom, solange es an dem Stromkreis angeschlossen ist.
- Vorsicht ist geboten, wenn Sie die scharfen Schneidmesser handhaben, die Schüssel entleeren und während der Reinigung.
- Vermeiden Sie potenzielle Verletzungen durch eine Fehlbenutzung.
- Schalten Sie das Gerät aus und trennen Sie es von der Stromversorgung, bevor Sie das Zubehör wechseln oder bevor Sie sich beweglichen Teilen während des Betriebes nähern.
- Schalten Sie das Gerät aus, bevor Sie den Stromstecker ziehen.

- Benutzen Sie ausschließlich die Ersatzteile des Herstellers oder von seinem lokalen Händler.
- Tragen Sie das Gerät niemals am Stromkabel.
- Entfernen Sie niemals die einzelnen Gehäuseelemente.
- Beim Mixen von heißen Flüssigkeiten/Lebensmitteln kann überschüssiger Druck in dem Standmixer entstehen, wobei der Deckel abspringen kann und die Inhalte rausspritzen könnten. Deswegen empfehlen wir Ihnen, das Mixen von übermäßig heißen Lebensmitteln zu vermeiden und ausschließlich kleine Mengen von heißen Flüssigkeiten/Lebensmitteln im Standmixer zu platzieren.
- Benutzen Sie den Standmixer nicht mit zu harten Produkten, wie z.B. Knochen, Nüssen mit Schalen, gefrorenem Fleisch etc., welche entweder die Klinge beschädigen oder das Versagen des Motors verursachen könnten.
- Das Gerät darf nicht benutzt werden, wenn es fallen gelassen wurde, wenn auffällige Zeichen von Beschädigungen sichtbar sind oder wenn es undicht ist.
- Dieses Gerät darf von Kindern ab 8 Jahren benutzt werden, sofern diese beaufsichtigt werden oder eine Einweisung in den sicheren Gebrauch des Geräts erhalten haben und die damit verbundenen Gefahren verstehen.
 - Kinder dürfen das Gerät nur reinigen oder pflegen, wenn sie mindestens 8 Jahre alt sind und von einem Erwachsenen beaufsichtigt werden.
 - Bewahren Sie das Gerät und das zugehörige Netzkabel außerhalb der Reichweite von Kindern

unter 8 Jahren auf.

- Bei der Verwendung elektrischer Geräte sind stets Sicherheitsvorkehrungen zu treffen, um bei unsachgemäßer Verwendung die Gefahr von Bränden, elektrischen Schlägen und/oder Verletzungen zu vermeiden.
- Achten Sie darauf, dass die auf dem Typenschild angegebene Nennspannung mit Ihrer Netzspannung übereinstimmt Ihrer Installation. Wenn dies nicht der Fall ist, wenden Sie sich an den Händler und schließen Sie das Gerät nicht an.
- Lassen Sie das Gerät während des Betriebs niemals unbeaufsichtigt.
- Bitte halten Sie dieses Dokument bereit und geben Sie es im Falle einer Übertragung Ihres Gerätes an den zukünftigen Besitzer weiter.
- Nicht im Freien verwenden.
- Das Gerät ist nicht für die Bedienung durch externe Zeitgeber oder ein Fernbedienungssystem vorgesehen.

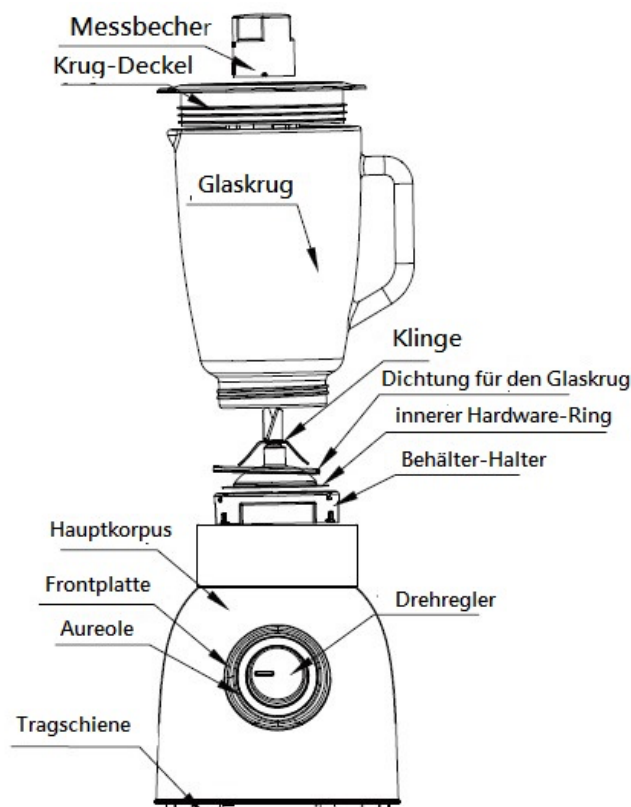
Achtung:

Schalten Sie das Gerät vor der Reinigung aus, um den Kriechstrom und anderen Gefahren zu vermeiden. Wenn der Stromstecker oder das Stromkabel beschädigt ist, benutzen Sie das Gerät nicht, demontieren Sie dieses nicht selber, sondern wenden Sie sich unbedingt an den Kundendienst.

SPEZIELLE SICHERHEITSVORKEHRUNGEN

- Achtung: Die Klingen des Kruges sind sehr scharf. Es besteht Gefahr einer Verletzung! Während sich die Klingen drehen, berühren Sie den Krug nicht von außen und platzieren Sie keine Gegenstände darin.
- Benutzen Sie ausschließlich das von dem Hersteller empfohlene Zubehör.
- Benutzen Sie das Gerät ausschließlich mit dem fest geschlossenen Deckel und dem eingesetzten Verschluss.
- Das Gerät ist mit einer Sicherheitsfunktion ausgestattet. Das Gerät kann nur dann eingeschaltet werden, wenn der Krug auf der Motorgrundlage richtig platziert ist. Wenn das Gerät dann eingeschaltet werden kann, ziehen Sie den Stecker und kontrollieren Sie die Verbindung zwischen dem Krug und der Motorgrundlage.

BAUTEILE



INSTALLATION

1. Reinigen Sie den Messbecher, den Deckel und den Krug (ausgenommen den Hauptkorpus) usw. vor dem ersten Gebrauch.
2. Setzen Sie zuerst die Krug-Dichtung in die Klingen-Grundlage ein. dann schließen Sie die Klingen-Grundlage an dem Krug an, als letztes wackeln Sie leicht den Krug, damit dieser in der Position einrastet.
3. Passen Sie den Standmixer-Glaskrug auf dem Hauptkorpus an, und drehen Sie diesen leicht rechtsläufig, damit er in der Motor-Abteilung einrastet. Füllen Sie den Krug mit gewünschten Lebensmitteln. Stellen Sie sicher, dass das Wasser aus dem Krug nicht verschüttet wird (Die maximale Wasserkapazität darf nicht überschritten werden) **BENUTZEN SIE DAS GERÄT NICHT OHNE INHALTE.**
4. Setzen Sie den Deckel oben auf dem Krug und drücken Sie diesen runter. Setzen Sie den Verschluss in den Decken ein und drehen Sie diesen, bis er einrastet.
5. Platzieren Sie den Messbecher mittig auf dem Deckel, wiegen Sie den Messbecher leicht gegen den Urzeigesinn.

BENUTZUNG

1. Schließen Sie den Strom an.
2. Dieses Gerät verfügt über ein Sicherheitskonzept, es funktioniert nicht, wenn der Krug auf dem Hauptkorpus nicht fest montiert ist.
3. Drehen Sie den Regler P/0/1/2/3/4/5 in die 0 Position, um sicherzustellen, dass das Gerät ausgeschaltet ist.
4. Füllen Sie den Krug mit gewünschten Lebensmitteln.
5. Setzen Sie den Deckel oben auf dem Krug und befestigen Sie diesen. Platzieren Sie den Messbecher mittig auf dem Deckel, wiegen Sie den Messbecher leicht gegen den Urzeigesinn.
6. Setzen Sie den Standmixer-Glaskrug auf den Hauptkorpus ein und drehen Sie diesen leicht rechtsläufig, so dass er in der Motor-Grundlage einrastet; dann ist die Maschine vollständig montiert.
7. Drehen Sie den Regler zu der nötigen Geschwindigkeit (P- Puls, Stufen 1 bis 5 bedeuten die Geschwindigkeit der Klingen von niedrig bis hoch).
8. Während des Betriebs ist die blaue Leuchte rund um den Regler an.

Geschwindigkeit einstellen :

P-puls – Die Edelstahl-Klinge arbeitet mit einer vorübergehend höchsten Geschwindigkeit, passend für Eis.

- 1 – Die Edelstahl-Klinge arbeitet mit einer niedrigen Geschwindigkeit.
- 2 – Die Edelstahl-Klinge arbeitet mit einer höheren Geschwindigkeit, als bei der Stufe 1, aber einer niedrigeren Geschwindigkeit, als bei der Stufe 3.
- 3 – Die Edelstahl-Klinge arbeitet mit einer höheren Geschwindigkeit, als bei der Stufe 2, aber einer niedrigeren Geschwindigkeit, als bei der Stufe 4.
- 4 – Die Edelstahl-Klinge arbeitet mit einer höheren Geschwindigkeit, als bei der Stufe 3, aber einer niedrigeren Geschwindigkeit, als bei der Stufe 5.
- 5 – Die Edelstahl-Klinge arbeitet mit einer höheren Geschwindigkeit, als bei der Stufe 4, und es ist die höchste Geschwindigkeit der Maschine.
- 0 – Das Gerät ist aus.

Achtung :

1. Das Überfüllen kann die Bedienung des Gerätes blockieren, schalten Sie das Gerät bitte aus und entnehmen Sie eine Menge von den Inhalten, ohne den Stecker anzuschließen, dann setzen Sie die Bedienung fort.
2. Benutzen Sie das Gerät ununterbrochen nicht länger als für 2 Minuten.

REINIGUNG UND LAGERUNG

- Zusätzlich dazu müssen Sie die Sicherheitsvorkehrungen beachten.
- Reinigen Sie den Motor-Hauptkorpus, das Stromkabel und den Stecker nicht mit Wasser.
- Reinigen Sie die Motor-Grundlage mit einem weichen, feuchten Tuch und etwas von einem milden Reinigungsmittel.
- Füllen Sie den Krug halb voll mit heißem Wasser und ein wenig Reinigungsmittel. Lassen Sie das Gerät bei der Geschwindigkeit 2 laufen, bis der Krug sauber ist.
- Der Boden der Krug-Grundlage mit den Klingen kann auseinandergelöst werden. Schrauben Sie den Grundlage-Boden linksläufig ab, es gibt eine "un-lock" Markierung auf dem Boden.
- Reinigen Sie zunächst den Krug, den Deckel, die Grundlage und die Klingen mit dem Dichtungsring mit heißem Wasser und ein wenig Reinigungsmittel. Trocknen Sie diese vor dem nächsten Gebrauch. Achtung! Die Klingen in dem Krug sind sehr scharf.
- Benutzen Sie keine aggressiven Reinigungsmittel.

Warnung :

Berühren Sie die scharfe Klinge nicht. Wenn trocken, wischen Sie diese mit einem Spültuch ab, um Verletzungen zu vermeiden.

Hinweis :

1. Das Gerät ist ausschließlich für die Haushaltsnutzung geeignet.
2. Überhitzungsschutz
Um die Lebensdauer des Gerätes zu verlängern wird die Überhitzungs-Schutzeinheit installiert. Wenn der Motor zu lange läuft oder überbelastet wird, erreicht die Temperatur einen Warnwert und der Motor hält automatisch an. Ziehen Sie den Stromstecker und warten Sie, bis der Motor sich abkühlt (ungefähr 20 bis 30 Minuten), dann können Sie das Gerät wieder benutzen. Wenn Sie Probleme mit dem Gerät haben, demontieren Sie es nicht selber. Kontaktieren Sie immer die Service- Abteilung oder den Kundendienst.
3. Das Gerät darf nicht kommerziell benutzt werden. Ansonsten der Wartungsanspruch ungültig.

REINIGUNG

Reinigung des Standmixer-Kruges

1. Gießen Sie ungefähr 500ml warmes Seifenwasser in den Krug und platzieren Sie den Krug auf der Grundlage.
2. Benutzen Sie den Puls-Modus, um jegliche Essens-Teile zu zerkleinern und diese von den Klingen zu lösen.
 - Entnehmen Sie den Krug, schütten Sie das Wasser aus und spülen Sie diesen unter frischem fließendem Wasser aus. Wiederholen Sie die Schritte 1 und 2 mit frischem Wasser.
 - Alternativ kann der Krug in warmes Seifenwasser eingetaucht und mithilfe einer langstieligen Bürste gereinigt werden. Fassen Sie die Klingen während der Reinigung nicht an.
 - Reinigen Sie den Deckel und den Messbecher in warmem Seifenwasser, spülen Sie diese ab und lassen Sie diese trocknen.

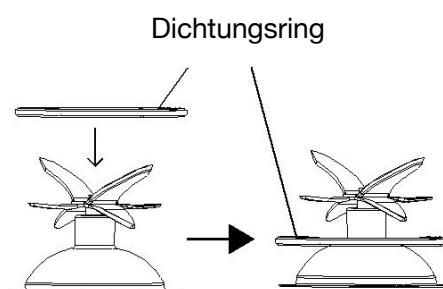


- Der Krug muss vorsichtig behandelt werden. Der Krug beinhaltet bewegliche Teile- lassen Sie den Krug nicht in Wasser länger als notwendig, um diesen zu reinigen, da Sie dadurch die Betriebsleistung des Standmixers beeinträchtigen können.
- Bedienen Sie die Klingen vorsichtig, besonders während der Reinigung, da diese extrem scharf sind.
- Reinigen Sie den Krug oder das Zubehör **NICHT** in der Spülmaschine.

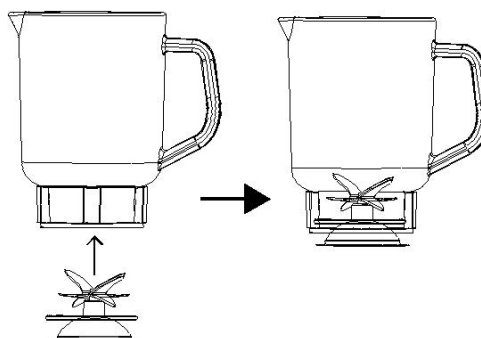


Obwohl es nicht empfohlen wird, die Krug-Grundlage mit Klingen auseinanderzubauen, falls Sie es doch demontiert haben, sollten Sie die Teile in der korrekten Reihenfolge zusammenbauen.

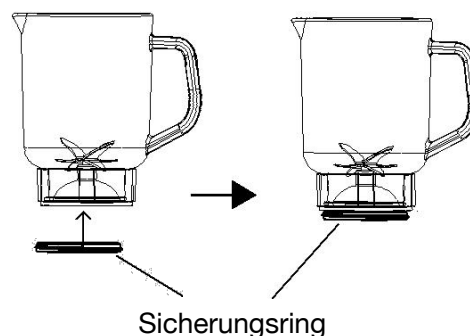
1. Setzen Sie zuerst den Gummi-Dichtungsring sicher unter die Klingen ein.
Achtung! Die Klingen sind sehr scharf.



2. Montieren Sie den eingesetzten Dichtungsring und die Klingen in die Krug-Grundlage.



3. Setzen Sie den Plastik-Sicherungsring in die Krug-Grundlage ein und drehen Sie diesen fest ein.



Reinigung der Grundlage

1. Vergewissern Sie sich, dass der Standmixer ausgeschaltet und vom Netz getrennt ist.
2. Wischen Sie die Außenflächen der Motoreinheit mit einem feuchten Tuch ab. Benutzen Sie niemals Scheuermittel oder Scheuermilch.



Tauchen Sie die Grundlage nie in Wasser während der Reinigung.

GARANTIE

Die Garantiezeit für unsere Produkte beträgt 2 Jahre, sofern keine anderen Bestimmungen gelten, ab dem Datum des ursprünglichen Kaufs oder ab dem Lieferdatum.

Bei Problemen oder Fragen können Sie sich an unsere Hilfeseiten, Tipps zur Fehlerbehebung, FAQs und Bedienungsanleitungen auf unserer Kundendienst-Website wenden:

<https://sav.hkoenig.com>.

Wenn Sie den Referenznamen Ihres Geräts in die Suchleiste eingeben, erhalten Sie Zugang zu allen verfügbaren Online-Supports.

Wenn Sie immer noch keine Antwort auf Ihre Frage oder Ihr Problem finden, dann klicken Sie auf "Hat die Antwort Ihr Problem gelöst?". Sie können dieses Formular ausfüllen, um Ihre Anfrage zu bestätigen und Hilfe zu erhalten.

GARANTIEBEDINGUNGEN

Die Garantie deckt alle Defekte ab, die bei normalem, bestimmungsgemäßem Gebrauch und den in der Bedienungsanleitung enthaltenen Spezifikationen auftreten.

Diese Garantie gilt nicht für Probleme mit der Verpackung oder dem Transport während des Versands des Produkts durch den Eigentümer. Sie umfasst auch nicht den normalen Verschleiß des Produkts, die Wartung oder den Austausch von Verschleißteilen.

AUSSCHLUSS DER GARANTIE

- Zubehör und Verschleißteile (*).
- Die normale Wartung des Geräts.
- Alle Defekte, die durch unsachgemäßen Gebrauch (Stöße, Nichteinhaltung der empfohlenen Stromzufuhr, schlechte Nutzungsbedingungen usw.), unzureichende Wartung oder Zweckentfremdung des Geräts auftreten, sowie die Verwendung von ungeeignetem Zubehör.
- Schäden durch äußere Einflüsse: Brand, Wasserschäden, elektrische Überspannung usw.
- Alle Geräte, die von anderen als den befugten Personen (insbesondere dem Nutzer) auch nur teilweise auseinandergelassen wurden.
- Produkte, deren Seriennummer fehlt, beschädigt oder unleserlich ist, sodass sie nicht identifiziert werden können.
- Produkte, die vermietet, vorgeführt oder ausgestellt werden.

(*). Einige Teile Ihres Geräts, die als Verschleißteile oder Verbrauchsmaterialien bezeichnet werden, verschleiben mit der Zeit und der Häufigkeit der Nutzung Ihres Geräts. Diese Abnutzung ist normal, kann aber durch falsche Nutzung oder Pflege Ihres Geräts noch verstärkt werden. Diese Teile sind daher nicht durch die Garantie abgedeckt. Das mit dem Gerät gelieferte Zubehör ist ebenfalls von der Garantie ausgeschlossen. Sie können daher weder umgetauscht noch erstattet werden. Einige Zubehörteile können jedoch direkt über unsere Website <https://sav.hkoenig.com/> erworben werden.

UMWELT



ACHTUNG:

Werfen Sie nicht dieses Produkt, wie es mit anderen Haushaltsprodukten hat. Es gibt eine Mülltrennung von diesem Produkt in Gemeinden, Sie müssen Ihre lokalen Behörden über die Orte, wo man dieses Produkt zurückgeben können zu informieren. In der Tat enthalten elektrische und elektronische Produkte gefährliche Stoffe, die schädliche Auswirkungen auf die Umwelt oder die menschliche Gesundheit haben und sollte recycelt werden. Das Symbol hier darauf hinweisen, dass elektrische oder elektronische Geräte sollten sorgfältig ausgewählt werden, ist ein fahrbarer Abfallbehälter mit einem Kreuz markiert.

Adeva SAS / H.Koenig Europe - 8 rue Marc Seguin - 77290 Mitry Mory - France
www.hkoenig.com - sav@hkoenig.com - contact@hkoenig.com - Tél: +33 1 64 67 00 05

NEDERLAND

Om het product beter voor u te laten werken, leest u de gebruikershandleiding voordat u hem gebruikt. Berg de gebruikershandleiding na het lezen goed op voor latere raadpleging.

LET OP :

- Verkeerd gebruik en ondeugdelijke omgang kunnen voor problemen zorgen bij het apparaat en voor verwondingen bij de gebruiker.
- De unit mag alleen gebruikt worden voor het beoogde gebruik. Er wordt geen aansprakelijkheid genomen voor schade die veroorzaakt is door verkeerd en ondeugdelijk gebruik.
- Voordat u de het apparaat aansluit op een spanningsbron, controleer dan eerst of de spanningsbron overeenkomt met de data die staan aangegeven op het typeplaatje.
- Niet het apparaat of de stekker onderdompelen in water of een andere vloeistof. Mocht het apparaat toch in water vallen, trek dan de stekker meteen uit het stopcontact en laat het apparaat controleren door een expert voor u het weer gebruikt. Er is een levensbedreigend gevaar op een elektrische schok!
- Probeer niet zelf de behuizing te openen. Steek geen objecten in het apparaat.
- Gebruik het apparaat niet met natte handen, op een natte vloer of als de omgeving vochtig is.
- Pak de stekker niet vast met natte handen.
- Controleer de stroomkabel en de adapter regelmatig op

beschadigingen. Als de stroomkabel of stekker beschadigd is, moet het worden vervangen door de fabrikant, een servicemonteur of een gelijkwaardig gekwalificeerd persoon om gevaren te vermijden.

- Niet het apparaat gebruiken als de stroomkabel of stekker beschadigingen laten zien of het apparaat op de grond is gevallen of op een andere manier is beschadigd. In zulke gevallen brengt u het apparaat naar een werkplaats voor controle en reparatie, indien nodig.
- Probeer nooit zelf te repareren. Er is een gevaar voor een elektrische schok!
- Laat de stroomkabel niet hangen over scherpe randen en hou hem weg bij hete objecten en open vuur. Trek aan de stekker zelf om hem uit het stopcontact te halen.
- Installatie van een piekbescherming biedt extra bescherming met een nominale stroom van niet meer dan 30 MA in het thuisnetwerk. Neem contact op met uw installatie-elektricien.
- Zowel de kabel als een mogelijke verlengkabel moeten zo worden geplaatst dat er geen risico is dat iemand eraan trekt of over struikelt.
- Als een lange verlengkabel wordt gebruikt, moet deze geschikt zijn voor het gevraagde vermogen. Anders kan de kabel en/of stekker oververhit raken.
- Plaats het apparaat op een stevig, vlak en hittebestendig oppervlak, weg van open vuur (zoals een gasoven) en gebruik het buiten bereik van kinderen.
- Dit apparaat is niet geschikt voor commercieel of buiten gebruik.
- Kinderen kunnen het gevaar niet inschatten van het

verkeerd gebruiken van elektrische apparaten.

- Kinderen moeten onder toezicht worden gehouden, om te verzekeren dat ze niet met het apparaat spelen.
- Dit apparaat is niet bedoeld voor gebruik door personen (inclusief kinderen) met een beperkt lichamelijk, fysisch of mentale beperking, of een gebrek aan ervaring en kennis, tenzij er toezicht is of instructies zijn voor het gebruik van het apparaat door een persoon verantwoordelijk voor hun veiligheid.
- Haal de stekker uit het stopcontact als het apparaat niet wordt gebruikt en voor het schoonmaken.
- Let op! De apparaat is voorzien van stroom zolang de stekker nog in het stopcontact zit.
- U dient voorzichtig te zijn met de omgang van de scherpe messen, bij het legen van de kan en tijdens het schoonmaken.
- Vermijd potentiële verwondingen door verkeerd gebruik
- Schakel het apparaat uit en haal de stekker uit het stopcontact voor het wisselen van accessoires en als u in de buurt van onderdelen komt die tijdens gebruik bewegen.
- Schakel het apparaat uit voordat u de stekker uit het stopcontact haalt.
- Gebruik alleen onderdelen van de fabrikant of van de lokale dealer.
- Nooit het apparaat aan de kabel dragen.
- Geen aparte afdekkingen verwijderen.
- Bij het mixen van een hete vloeistof/voedsel kan er extra druk worden opgebouwd, hierdoor kan de deksel loskomen en kan de inhoud eruit spatten. Daarom raden we het af dat u erg heet voedsel niet mixt en dat u maar

kleine hoeveelheden van hete vloeistoffen of voedsel in de blender doet.

- Gebruik de blender niet voor hard voedsel, zoals bonen, noten, bevroren voedsel, etc., daardoor kunnen de messen bot worden of de motor kan kapot gaan.
- Het apparaat mag niet worden gebruikt als het is gevallen, er zijn duidelijke tekenen van schade zichtbaar of er zijn lekken.
- Dit apparaat mag worden gebruikt door kinderen vanaf 8 jaar en ouder indien dit gebeurt onder toezicht, als zij van tevoren instructies hebben ontvangen betreffende het veilige gebruik van het apparaat en als zij de mogelijke gevaren kennen.
 - Reiniging en onderhoud mogen niet worden uitgevoerd door kinderen tenzij ze 8 jaar of ouder zijn en onder toezicht van een volwassene staan.
 - Houd het apparaat en het snoer buiten bereik van kinderen onder de 8 jaar.
 - Bij het gebruik van elektrische apparatuur moeten altijd veiligheidsmaatregelen worden genomen om het risico van brand, elektrische schokken en/of letsel in geval van verkeerd gebruik te voorkomen.
 - Controleer of de spanning op het typeplaatje overeenkomt met de spanning die op het typeplaatje staat van uw installatie. Als dit niet het geval is, neem dan contact op met de dealer en sluit het apparaat niet aan.
 - Laat het apparaat nooit onbeheerd achter terwijl het in bedrijf is.

- Bewaar dit document bij de hand en geef het aan de toekomstige eigenaar in geval van overdracht van uw apparaat.
- Niet buiten gebruiken.
- Het apparaat is niet bedoeld om te worden bediend door middel van een externe timer of een afstandsbediening.

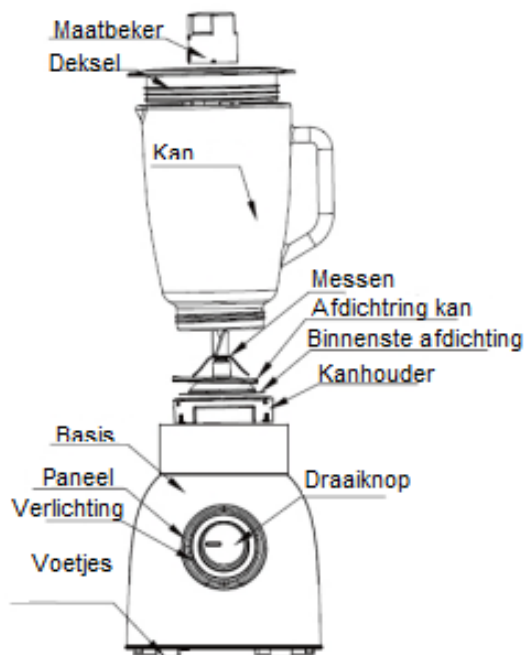
Waarschuwing :

Schakel het apparaat uit voor het schoonmaken ter voorkoming dat er iets gaat draaien en andere gevaren. Als de stekker of stroomkabel beschadigd is, niet het apparaat gebruiken, ook niet uit elkaar halen, u dient met de klantenservice contact op te nemen.

SPECIALE VEILIGHEIDSVORZORGSMAATREGELEN

- **Waarschuwing:** De messen in de kan zijn erg scherp. Er is een kans op verwonding! Als de messen draaien nooit de binnenkant van de kan aanraken en nooit objecten erin stoppen.
- Gebruik alleen spullen die worden aanbevolen door de fabrikant.
- Alleen gebruiken met een goed gesloten deksel en goed vergrendeld.
- Het apparaat is voorzien van een veiligheidsfunctie. Het apparaat kan alleen gebruikt worden als de kan correct op de motorbasis is geplaatst. Als het apparaat niet ingeschakeld kan worden, haal de stekker uit het stopcontact en controleer de verbinding tussen de kan en de motorbasis.

ONDERDELEN



INSTALLATIE

Maak de maatbeker, deksel en kan (op de hoofdunit na) en dergelijke schoon voor het eerste gebruik.

1. Controleer dat het apparaat is uitgeschakeld en de stekker niet is aangesloten voor installatie.
2. Eerst de afdichtring plaatsen in de basis van de kan, dan de basis in de kan doen, beweeg de kan zo dat deze juist aangesloten wordt.
3. Zet de kan van de blender op de motorbasis, en draai deze iets met de klok mee, zodat deze vastklikt op de motorbasis. Vul de kan met het gewenste voedsel. Controleer dat het water niet over de rand stroomt. (De maximale watercapaciteit van 1500ml mag niet overschreden worden) **GEBRUIK HET APPARAAT NIET ALS ER MATERIAAL IN ZIT**
4. Doe de deksel bovenop de kan en druk hem naar beneden. Schakel de vergrendeling in en draai deze tot hij vastklikt.
5. Plaats de maatbeker bovenop de deksel, draai hem iets tegen de klok in.

GEBRUIK

1. Doe de stekker in het stopcontact.
2. Dit apparaat heeft een veiligheidsontwerp, het zal niet werken als de kan niet juist op de motorbasis is geplaatst.
3. Draai de draaiknop P/0/1/2/3/4/5 naar stand 0 om zeker te zijn dat deze is uitgeschakeld.
4. Vul de kan met het gewenste voedsel
5. Doe de deksel bovenop de kan en zet hem vast. Plaats de maatbeker bovenop de deksel, draai hem iets tegen de klok in.
6. Zet de kan van de blender op de motorbasis, en draai deze iets met de klok mee, dan is het apparaat juist in elkaar gezet.
7. Draai de knop naar de gewenste stand (P—pulse, stand 1 tot 5 staat voor de snelheid van de messen, van laag naar hoog).
8. Als het apparaat in werking is zal het blauwe licht rondom de knop aan zijn.

Snelheidsaanpassing:

P-pulse — Roestvrijstalen messen zullen kort heel snel gaat, geschikt voor ijs.

1 — Roestvrijstalen messen zullen met lage snelheid draaien.

2 — Roestvrijstalen messen zullen sneller dan stand 1 draaien maar langzamer dan stand 3.

3 — Roestvrijstalen messen zullen sneller dan stand 2 draaien maar langzamer dan stand 4.

4 — Roestvrijstalen messen zullen sneller dan stand 3 draaien maar langzamer dan stand 5.

5 — Roestvrijstalen messen zullen sneller dan stand 4 en dat is de hoogste snelheid van het apparaat.

0 — schakelt het apparaat uit.

Waarschuwing :

1. Overvullen kan het gebruik blokkeren, schakel het apparaat dan uit en haal de stekker uit het stopcontact, haal wat materiaal eruit, schakel hem dan opnieuw in.
2. Gebruik het apparaat niet langer dan 2 minuten continu.

SCHOONMAKEN EN OPSLAG

- U dient ook rekening te houden met de veiligheidsvoorzorgsmaatregelen.
- Maak de motorbasis, stroomkabel en stekker niet schoon met water.
- Maak de motorbasis schoon met een zachte, vochtige doek met een zacht schoonmaakmiddel.
- Vul de kan halfvol met heet water en een klein beetje schoonmaakmiddel. Laat het apparaat op snelheid 2 draaien totdat de kan schoon is.
- De basis van de kan met de messen kan uit elkaar worden gehaald. Schroef de onderkant tegen de klok in wat gemarkeerd is met “un-lock” op de bodem. Haal de messen er samen af met de afdichtring die naar boven wijst.
- Maak nu de kan, deksel, basis en messen met afdichtring met heet water en wat schoonmaakmiddel. Goed laten drogen voor gebruik. Let op! De messen in de kan zijn erg scherp.
- Nooit bijtende schoonmaakmiddelen gebruiken.

Waarschuwing :

Raak niet de scherpe messen aan. Indien schoon, veeg ze met een vaatdoekje af om de kans op verwondingen te minimaliseren.

Notitie :

1. Apparaat alleen geschikt voor huishoudelijk gebruik.
2. Bescherming tegen oververhitting
Om de levensduur van het apparaat te verlengen is er een bescherming tegen oververhitting ingebouwd. Als de motor te lang draait of overbelast wordt, zal de temperatuur te hoog worden en stopt de motor automatisch vanzelf. Haal de stekker uit het stopcontact en wacht tot de motor is afgekoeld (ongeveer 20 tot 30 minuten), dan kunt u hem weer gebruiken. Als er een probleem is met dit apparaat, haal het dan niet zelf uit elkaar. Neem altijd contact op met de klantenservice of helpdesk.
3. Niet voor commercieel gebruik. Dan zal de garantie vervallen.

SHOONMAKEN

Schoonmaken van de kan

1. Giet ongeveer 500ml warm sop in de kan en plaats deze op de basis.
2. Gebruik de pulse-modus om voedselresten los te maken en ze van de messen los te maken.
 - Verwijder de kan, giet het water weg en spoel hem af met vers stromend water. Herhaal stappen 1 en 2 met vers water.
 - De kan kan ook worden ondergedompeld in een sopje en worden schoongemaakt met een borstel. Raak de messen niet aan tijdens het schoonmaken.
 - Was de deksel en maatbeker apart in een warm sopje, spoel ze af en laat ze opdrogen.

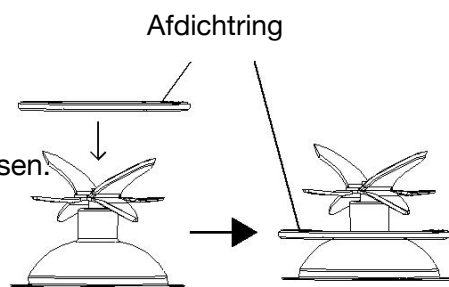


- Met de kan moet voorzichtig worden omgesprongen. De kan bevat bewegende onderdelen - laat de kan niet langer dan nodig onder water om hem schoon te maken, dat kan effect hebben op de prestaties.
- Ga voorzichtig om met de messen vooral bij het schoonmaken aangezien ze extreem scherp zijn.
- Was de kan of accessoires **NIET** in een vaatwasser.

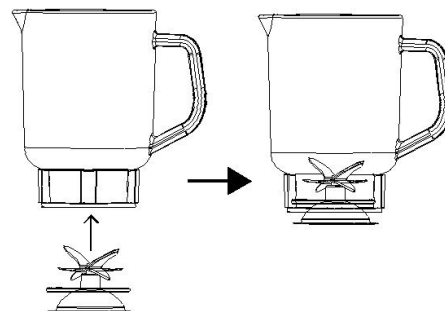


Al wordt het niet aanbevolen om de basis van de kan los te maken, mocht u dit toch gedaan hebben, dient u de onderdelen op de juiste manier terug te plaatsen.

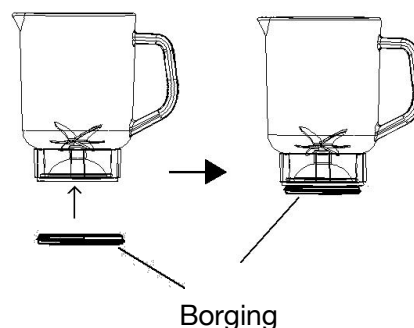
1. Plaats de rubberen afdichtring eerst onder de messen.
Let op! De messen zijn erg scherp.



2. Plaats de afdichtring en messen in de basis van de kan.



3. Plaats de plastic borging in de basis van de kan en draai deze strak.



De basis schoonmaken

1. Verzeker dat de blender is uitgeschakeld en de stekker uit het stopcontact is.
2. Veeg de buitenkant van de motorbasis schoon met een vochtige doek. Nooit bijtende schoonmaakmiddelen schuurmiddelen gebruiken.



Nooit het apparaat onderdompelen tijdens het schoonmaken

GARANTIE

De garantieperiode op onze producten is 2 jaar, tenzij anders vermeld, beginnend vanaf de datum van de initiële aankoop of bezorgdatum.

Als u problemen of vragen heeft, kunt u eenvoudig onze hulppagina's bezoeken voor tips om problemen op te lossen, de FAQ's en andere gebruikershandleidingen op onze website: <https://sav.hkoenig.com>.

Door de referentiernaam van uw apparaat in de zoekbalk te typen, krijgt u toegang tot alle beschikbare online hulpmiddelen, ontworpen om aan uw behoeften te voldoen.

Als u toch niet een antwoord op uw vraag kunt vinden, klik dan op "Heeft het antwoord uw probleem opgelost? Hierdoor gaat u naar het Aanvraagformulier voor Klantenondersteuning, dat u in kunt vullen om uw verzoek te valideren en hulp te ontvangen.

GARANTIEVOORWAARDEN

De garantie dekt alle mankementen die voortkomen uit normaal gebruik, volgens de sectie gebruik en specificaties in de gebruikershandleiding.

Deze garantie omvat niet verpakkings- of transportproblemen tijdens het vervoer van het product door de eigenaar. Het omvat ook niet de normale slijtage van het product, noch het onderhoud of vervangen van verbruiksartikelen.

UITSLUITINGEN VAN DE GARANTIE

- Accessoires en verbruiksartikelen (*).
- Normaal onderhoud van het apparaat.
- Alle mankementen veroorzaakt door verkeerd gebruik (schokken, het niet opvolgen van de aanbevolen stroomvoorziening, in slechte omstandigheden gebruiken, etc.), onvoldoende onderhoud of ondeugdelijk gebruik van het apparaat, alsook het gebruik van ongeschikte accessoires.
- Schade van buitenaf: vuur, waterschade, elektrische stroompiek, etc.
- Apparaten die uit elkaar zijn gehaald, ook gedeeltelijk, door personen die niet er niet gekwalificeerd voor zijn (zoals de gebruiker).
- Producten waarvan het serienummer verdwenen, beschadigd of onleesbaar is, waardoor we het niet kunnen identificeren.
- Producten die verhuurd werden of ter demonstratie of showmodel waren.

(*) Sommige onderdelen van uw apparaat, genaamd verbruiksartikelen, slijten naar verloop van tijd en bij veel gebruik van uw apparaat. Deze slijtage is normaal, maar kan verergerd worden door slechte omstandigheden of onderhoud van uw apparaat. Deze onderdelen worden daarom niet gedekt door de garantie.

De accessoires meegeleverd met het apparaat zijn ook uitgesloten van de garantie. Ze kunnen niet vervangen of gerestitueerd worden. Echter, sommige accessoires zijn te koop via onze website: <https://sav.hkoenig.com/>.

MILIEU

ATTENTIE:



Dit apparaat mag niet met uw ander huishoudelijke toestellen worden verwijderd. Dit product moet op een geselecteerde stortplaats verwijderd worden. U kunt bij de gemeente een indiceerde plaats aanvragen. Elektrisch en elektronische producten kunnen gevaarlijke stoffen inhouden die schadelijk zijn voor mensen en het milieu en moet recycled worden. Het symbool aan de kant geeft aan dat het een elektrisch en elektronisch toestel is en zijn dus artikelen van een selectieve collectie. Het beeld geeft een afvalbak met een X teken aan.

Adeva SAS / H.Koenig Europe - 8 rue Marc Seguin - 77290 Mitry Mory - France
www.hkoenig.com - sav@hkoenig.com - contact@hkoenig.com - Tél: +33 1 64 67 00 05

ESPAÑOL

Para aprovechar al máximo las potencialidades de la batidora, lea atentamente todas las instrucciones contenidas en este manual antes del primer uso y luego guarde el manual en un lugar seguro para posibles consultas en el futuro.

ATENCIÓN :

- El uso indebido y la manipulación incorrecta pueden provocar el mal funcionamiento de la batidora y lesiones personales al usuario.
- La batidora debe ser utilizada solamente para los fines previstos. No nos responsabilizamos por daños que surjan del mal uso o la manipulación incorrecta de la batidora.
- Antes de enchufar la batidora a la red eléctrica, compruebe que la tensión en el tomacorriente coincida con la tensión nominal indicada en la placa de características de la base.
- Nunca sumerja la base de la batidora ni el enchufe en agua u otros líquidos. Si la base cae en el agua por accidente, desenchufe el cable de alimentación inmediatamente y procure a un especialista para revisar la batidora antes de volver a utilizarla. ¡Peligro de muerte por descarga eléctrica!
- ¡No intente abrir la carcasa de la base usted mismo! No introduzca ningún tipo de objeto en la carcasa.
- No use la batidora con las manos mojadas, sobre superficies mojadas o cuando el ambiente esté

demasiado húmedo.

- No manipule el enchufe ni el cable de alimentación con las manos húmedas o mojadas.
- Verifique periódicamente el enchufe y cable de alimentación. Si alguno está deteriorado, deberán ser reemplazados por el fabricante, su agente de servicios técnicos o una persona cualificada, para evitar riesgos.
- No use la batidora con el cable de alimentación o enchufe en mal estado, luego de un mal funcionamiento, caída accidental de la base o cualquier otro desperfecto. En estos casos, lleve la batidora a un centro de servicios técnicos para su revisión y reparación si es necesario.
- Nunca intente reparar la batidora usted mismo, bajo ninguna circunstancia. ¡Peligro de descarga eléctrica!
- No permita que el cable de alimentación cuelgue de bordes afilados y siempre manténgalo lejos de fuentes de calor y de llamas abiertas. Para desconectar el cable de alimentación agárrelo firmemente por el enchufe.
- La instalación de un protector de voltaje en la red eléctrica doméstica, con una tolerancia de no más de 30 mA, le ofrecerá protección adicional a la batidora. Consulte a su electricista para la instalación.
- Tanto el cable de alimentación como cualquier extensión que necesite para el uso de la batidora, se deben colocar de forma tal que no existan riesgos de alguien tropezar o arrastrarlos inadvertidamente.
- Si es necesario el uso de una extensión larga, verifique que su impedancia eléctrica sea compatible con el cable de alimentación. De lo contrario, provocaría el sobrecalentamiento del cable de alimentación y/o

enchufe.

- Coloque la batidora sobre una superficie rígida, plana y resistente al calor, lejos de llamas abiertas (como hornos o fogones de gas) y siempre úsela fuera del alcance de los niños.
- Esta batidora no es adecuada para usos comerciales ni en exteriores.
- Los niños no son capaces de percibir el peligro implicado durante el uso indebido de los electrodomésticos.
- Los niños deben ser supervisados constantemente para garantizar que no jueguen con la batidora.
- Esta batidora no debe ser utilizada por personas (incluyendo a los niños) con discapacidad física, sensorial o motora, o con falta de experiencia y conocimiento, a menos que estén bajo vigilancia o hayan sido instruidos en el uso de la batidora por parte de un adulto responsable por su seguridad.
- Desconecte el enchufe del tomacorriente siempre que no esté usando la batidora y antes de efectuar su limpieza.
- ¡Precaución! Hasta que el cable de alimentación no sea desenchufado del tomacorriente, la batidora permanecerá encendida y energizada.
- Tenga cuidado al manipular las cuchillas cuando vaya a vaciar la jarra y durante la limpieza. Las cuchillas son muy afiladas.
- Evite el uso indebido para prevenir lesiones potenciales.
- Apague la batidora por el selector y desenchufe el cable del tomacorriente antes de cambiar accesorios o manipular las cuchillas durante el uso.

- Apague la batidora por el selector antes de desconectar el enchufe.
- Utilice solamente piezas de repuesto del fabricante o su distribuidor local.
- Nunca mueva, coja o cuelgue la batidora por su cable de alimentación.
- No quite ninguno de los componentes individuales de la carcasa.
- Al mezclar líquidos o alimentos calientes, puede haber una sobrepresión dentro de la jarra y esto podría hacer que la tapa se suelte y salpique el contenido. Por lo tanto, le recomendamos evitar la mezcla de alimentos demasiado calientes y poner pocas cantidades de líquidos calientes en la jarra de la batidora.
- No utilice la batidora para mezclar productos alimenticios muy duros, tales como huesos, nueces peladas, carnes congeladas, etc., que podrían dañar la cuchilla o hacer que se trabe el motor.
- El dispositivo no debe utilizarse si se ha caído, si hay signos evidentes de daño o si hay fugas.
- Este aparato puede ser utilizado por niños de al menos 8 años de edad, siempre que cuenten con supervisión y hayan recibido instrucciones sobre el uso seguro del electrodoméstico y sean plenamente conscientes de los peligros que implica.
 - La limpieza y mantenimiento de la máquina no debe ser efectuada por niños a menos que tengan como mínimo 8 años de edad y cuenten con la supervisión de un adulto.
 - Mantenga el aparato y su cable eléctrico fuera

del alcance de niños de menos de 8 años.

- Al utilizar equipos eléctricos, siempre se deben tomar precauciones de seguridad para evitar el riesgo de incendio, descarga eléctrica y/o lesiones en caso de uso indebido.
- Asegúrese de que la tensión nominal de la placa de características corresponde a la tensión de red de su instalación. Si no es así, póngase en contacto con el distribuidor y no conecte la unidad.
- Al utilizar equipos eléctricos, siempre se deben tomar precauciones de seguridad para evitar el riesgo de incendio, descarga eléctrica y/o lesiones en caso de uso indebido.
- Por favor, tenga este documento a mano y entréguelo al futuro propietario en caso de transferencia de su dispositivo.
- No utilizar en el exterior.
- El dispositivo no está diseñado para ser operado por medio de un temporizador externo o un sistema de control remoto.

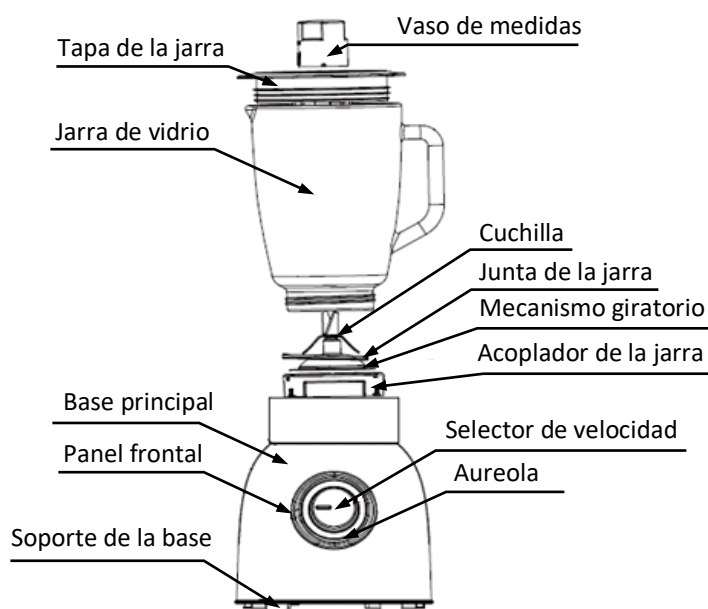
Precaución:

Apague la batidora antes de limpiarla para evitar vibraciones, fugas y otros peligros. Cuando el enchufe o cable de alimentación estén dañados, no use la batidora y tampoco intente desmontarla usted mismo, debe acudir al centro de servicios técnicos para cualquier mantenimiento.

PRECAUCIONES DE SEGURIDAD IMPORTANTES

- Precaución: Las cuchillas de la batidora son muy afiladas. ¡Peligro de lesiones! Nunca introduzca sus dedos ni cualquier otro objeto dentro de la jarra mientras las cuchillas estén en movimiento.
- Use solamente los accesorios aprobados por el fabricante.
- Siempre use la batidora con la jarra bien montada en la base y la tapa bien cerrada.
- La batidora tiene un sistema de seguridad y solo enciende si la jarra está montada correctamente sobre la base del motor. Si la batidora no enciende al girar el selector, desenchufe el cable de alimentación y verifique el acoplamiento entre la jarra de vidrio y la base del motor.

DESCRIPCIÓN DE COMPONENTES



INSTALACIÓN

1. Lave el vaso de medidas, la jarra, la tapa, etc. (excepto la base principal que abriga al motor) antes de la primera instalación de la batidora.
2. Compruebe que el selector de velocidad esté en la posición apagado (0) y que la base esté desconectada del tomacorriente antes del montaje.
3. Primero coloque la junta en la base de la cuchilla, luego introduzca la cuchilla por el fondo

- de la jarra y por último gire suavemente la jarra hasta que quede perfectamente ajustada.
4. Monte la jarra ya ensamblada encima de la base principal y gírela suavemente en sentido horario hasta que acople correctamente en la base del motor. Coloque los alimentos deseados en la jarra. Vierta el agua con cuidado para que no salpique fuera de la jarra (no exceda la capacidad máxima de la jarra, 1500 ml). **NUNCA ACCIONE LA BATIDORA CON LA JARRA VACÍA.**
 5. Coloque la tapa encima de la jarra y presiónela hacia adentro, luego inserte el cierre en la tapa y gírelo hasta que encaje en su lugar.
 6. Coloque el vaso de medida en el centro de la tapa y gírelo suavemente en sentido anti-horario hasta que encaje en su lugar.

MODO DE USO

1. Enchufe el cable de alimentación al tomacorriente.
2. Esta batidora tiene un sistema de seguridad que impide que encienda si la jarra no está acoplada correctamente en la base principal.
3. Compruebe que el selector del panel frontal (P/0/1/2/3/4/5) está en la posición 0, esto es, la batidora está apagada.
4. Coloque los alimentos deseados en la jarra.
5. Cierre la jarra con su tapa bien ajustada. Coloque el vaso de medida en el centro de la tapa y gírelo en sentido anti-horario hasta que encaje.
6. Coloque la jarra encima de la base principal y gírela suavemente en sentido horario hasta que acople correctamente en la base del motor. La batidora estará completamente montada.
7. Gire el selector de velocidad a la posición deseada (P-pulso, de 1 a 5 para velocidades de la más baja a la más alta).
8. En modo de trabajo, la luz azul en la aureola del selector estará encendida.

Ajustes de velocidad :

P-pulso — las cuchillas de acero inoxidable giran a la velocidad más alta por intervalos, modo adecuado para hielo.

- 1 — las cuchillas giran a la velocidad más baja.
- 2 — las cuchillas giran más rápido que en 1 y más lento que en 3.
- 3 — las cuchillas giran más rápido que en 2 y más lento que en 4.
- 4 — las cuchillas giran más rápido que en 3 y más lento que en 5.
- 5 — las cuchillas giran más rápido que en 4 y esta es la velocidad más alta.
- 0 — la batidora está apagada y las cuchillas no giran.

Precaución :

1. El sobrellenado de la jarra puede bloquear las cuchillas, en ese caso, apague la batidora y no desconecte el enchufe, retire una parte de la mezcla y vuelva a intentarlo.
2. No use la batidora por más de 2 minutos de forma continua.

LIMPIEZA Y ALMACENAMIENTO

- Además de estas instrucciones, consulte las precauciones de seguridad.
- Nunca use agua para limpiar la base principal del motor, el cable de alimentación ni el enchufe.
- Limpie la base principal de la batidora con un paño suave húmedo y algún detergente líquido suave.
- Llene la jarra hasta la mitad con agua caliente y un poco de detergente líquido. Accione la batidora en la velocidad 2 hasta que la jarra esté limpia.
- La base que incluye las cuchillas en el fondo de la jarra se puede desmontar fácilmente. Gire el conjunto en sentido anti-horario hasta la posición que indica “desbloquear” en la parte inferior. Saque las cuchillas junto con la junta del sello halando hacia afuera.
- Ahora limpie la jarra, la tapa, el cierre y la base de las cuchillas con la junta usando agua caliente y un poquito de detergente líquido suave. Seque bien todos los componentes antes de volver a montar la batidora. ¡Precaución! Las cuchillas dentro de la jarra son muy afiladas.
- Nunca use agentes de limpieza agresivos.

Advertencia:

No toque las cuchillas por el filo. Para lavar las cuchillas, se recomienda el uso de un paño de cocina para evitar lesiones por accidente.

Observación:

- Batidora para uso doméstico exclusivamente.
- Protección contra sobrecalentamiento:

Para prolongar la vida útil de la batidora, hemos instalado un sistema de protección contra sobrecalentamiento. Si el motor funciona por demasiado tiempo o está sobrecargado, la temperatura alcanza el límite de advertencia y el motor se detendrá automáticamente. Retire el enchufe del tomacorriente y espere que el motor se enfríe (aproximadamente de 20 a 30 minutos), luego puede continuar el uso normal.

Si la batidora presenta algún problema, no la desarme usted mismo. Siempre llame al centro de atención al cliente o acuda al centro de servicios técnicos.

- No use la batidora con fines comerciales. Esto invalidará la garantía.

LIMPIEZA

Limpieza de la jarra

- Vierta unos 500 ml de agua jabonosa tibia en la jarra de la batidora y monte la jarra correctamente en la base principal.
- Use el modo pulso (P) para desprender cualquier residuo de alimento adherido a las cuchillas.
 1. Retire la jarra de la base. Deseche la mezcla en su interior y enjuague la jarra con agua potable común. Repita de nuevo los pasos 1 y 2 usando agua fresca.
 2. Alternativamente, puede sumergir la jarra en agua jabonosa tibia y utilizar un hisopo de mano largo para retirar la suciedad. Evite el contacto manual con las cuchillas.
 3. Lave la tapa y el vaso de medidas separadamente con agua jabonosa tibia, enjuague con agua común y deje que se sequen normalmente.

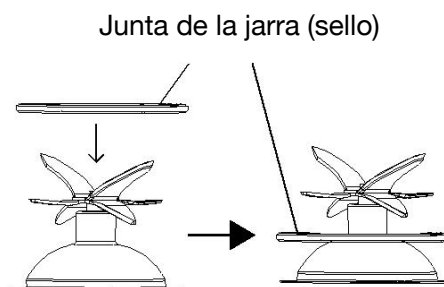


- La jarra ensamblada en su conjunto se debe manipular con cuidado. La jarra contiene partes móviles: no deje la jarra sumergida en agua por mucho tiempo durante la limpieza, esto puede afectar la eficiencia durante el funcionamiento de la batidora.
- Manipule las cuchillas con cuidado, especialmente durante la limpieza, ya que son extremadamente afiladas.
- **NO LAVE** la jarra o los accesorios en un lavavajillas.

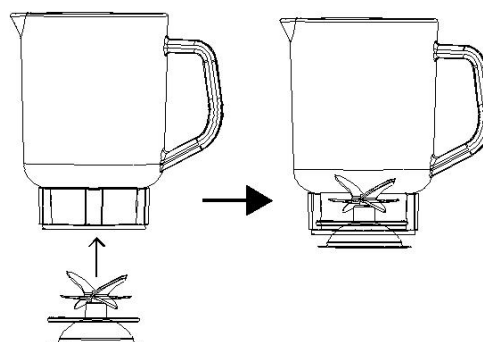


Aunque no es aconsejable desmontar el fondo de la jarra con las cuchillas, en caso de haberla desmontado por necesidad, debe volver a instalar las piezas en el orden correcto.

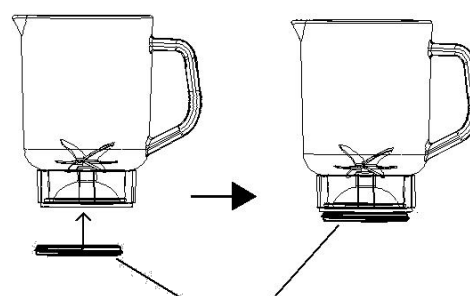
- Monte la junta de la jarra por encima de la cuchilla hasta su base, que quede bien ajustada.
¡Precaución! Las cuchillas son muy afiladas.



- Introduzca el conjunto anterior (chuchilla con la junta ajustada en su base) por el fondo de la jarra.



- Acople la arandela plástica de cierre al fondo de la jarra y gírela hasta que apriete y quede firmemente ajustada.



Arandela de cierre

Limpieza de la base del motor

- Asegúrese de que la batidora esté apagada y el cable de alimentación esté desconectado del tomacorriente.
- Limpie la superficie externa de la base del motor con un paño suave y húmedo. Nunca use productos de limpieza abrasivos u otros corrosivos.



Nunca sumerja la base del motor en agua u otros líquidos durante la limpieza.

GARANTÍA

El periodo de garantía de nuestros productos es de 2 años, salvo que la ley estipule lo contrario, a partir de la fecha de la compra inicial o de la fecha de entrega.

Si tiene algún problema o pregunta, puede acceder fácilmente a nuestras páginas de ayuda, consejos para solucionar problemas, preguntas frecuentes y manuales de usuario en nuestro sitio de servicio: <https://sav.hkoenig.com>.

Al escribir el nombre de referencia de su dispositivo en la barra de búsqueda, puede acceder a toda la asistencia en línea disponible, diseñada para satisfacer mejor sus necesidades.

Si sigue sin encontrar una respuesta a su pregunta o problema, haga clic en "¿La respuesta ha resuelto su problema? Esto le llevará al formulario de solicitud de asistencia posventa, que puede rellenar para validar su solicitud y obtener ayuda.

CONDICIONES DE GARANTÍA

La garantía cubre todos los fallos que se produzcan en el contexto de un uso normal, de acuerdo con los usos y especificaciones del manual de usuario.

Esta garantía no se aplica a los problemas de embalaje o transporte durante el envío del producto por parte del propietario. Tampoco incluye el desgaste normal del producto, ni el mantenimiento o la sustitución de piezas consumibles.

EXCLUSIÓN DE GARANTÍA

- Accesorios y piezas de desgaste (*).
- Mantenimiento normal del aparato.
- Todas las averías derivadas de un uso incorrecto (golpes, incumplimiento de las recomendaciones de alimentación eléctrica, malas condiciones de uso, etc.), de un mantenimiento insuficiente o de un mal uso del aparato, así como del uso de accesorios inadecuados.
- Daños de origen externo: incendio, daños por agua, sobrecarga eléctrica, etc.
- Cualquier equipo que haya sido desmontado, incluso parcialmente, por personas que no estén autorizadas a hacerlo (en particular el usuario).
- Productos cuyo número de serie falte, esté dañado o sea ilegible, lo que no permitiría su identificación.
- Productos sujetos a alquiler, demostración o exposición.

(*) Algunas piezas de su aparato, conocidas como piezas de desgaste o consumibles, se deterioran con el tiempo y la frecuencia de uso de su aparato. Este desgaste es normal, pero puede acentuarse por las malas condiciones de uso o de mantenimiento de su aparato. Por lo tanto, estas piezas no están cubiertas por la garantía.

Los accesorios suministrados con el aparato también están excluidos de la garantía. No se pueden cambiar ni reembolsar. No obstante, algunos accesorios pueden adquirirse directamente en nuestro sitio web: <https://sav.hkoenig.com/>

MEDIO AMBIENTE

ATENCIÓN:



No se deshaga de este producto como lo hace con otros productos del hogar. Existe un sistema selectivo de colecta de este producto puesto en marcha por las comunidades, debe de informarse en su ayuntamiento acerca de los lugares en los que puede depositar este producto. De hecho, los productos eléctricos y electrónicos pueden contener sustancias peligrosas que tienen efectos nefastos para el medio ambiente o para la salud humana y deben ser reciclados. El símbolo aquí presente indica que los equipos eléctricos o electrónicos deben de ser cuidadosamente seleccionados, representa un recipiente de basura con ruedas marcado con una X.

Adeva SAS / H.Koenig Europe - 8 rue Marc Seguin - 77290 Mitry Mory - France
www.hkoenig.com - sav@hkoenig.com - contact@hkoenig.com - Tél: +33 1 64 67 00 05

ITALIANO

Al fine di consentire al prodotto di funzionare nel migliore dei modi, si prega di leggere le istruzioni prima di utilizzarlo. Si prega di conservare le istruzioni dopo averle lette per riferimenti futuri.

ATTENZIONE:

- Un funzionamento errato e un uso improprio possono causare problemi all'apparecchio e lesioni all'utente.
- L'apparecchio può essere utilizzato solo per gli scopi previsti. Si declina ogni responsabilità per danni derivanti da un uso improprio o da manipolazione errata.
- Prima di collegare l'apparecchio alla rete elettrica, verificare se il tipo di alimentazione e la tensione di rete corrispondano con i dati riportati sulla targhetta sull'apparecchio.
- Non immergere l'apparecchio e la spina in acqua o altri liquidi. Se l'apparecchiatura dovesse cadere in acqua, estrarre la spina immediatamente e fare ispezionare l'apparecchio da un esperto prima di riutilizzarlo. C'è pericolo di morte da scossa elettrica!
- Non cercare di aprire il motore da soli! Non introdurre alcun tipo di oggetti nel motore.
- Non utilizzare l'apparecchio con le mani bagnate, su piano umido o quando l'atmosfera è umida.
- Non toccare la spina con le mani bagnate o umide.
- Controllare che la spina di alimentazione non abbia danni. Se il cavo di alimentazione o la spina sono danneggiati, essi devono essere sostituiti dal

produttore, dal suo servizio assistenza o da personale qualificato, per evitare rischi.

- Non azionare l'apparecchio se il cavo di alimentazione o la spina sono danneggiati o se l'unità cade a terra o è stato danneggiata in qualche modo. In questi casi, portare l'unità in assistenza per un controllo e le riparazioni, se necessarie.
- Non bisogna mai cercare di riparare da soli unità. C'è il pericolo di scosse elettriche!
- Non lasciare che il cavo di alimentazione penda da spigoli vivi e tenerlo lontano da oggetti caldi o fiamme libere. Tirare la spina per rimuoverla dalla presa di corrente.
- L'installazione di un salvavita offrirà una protezione aggiuntiva con una corrente di innesco nominale non superiore a 30 mA nell'installazione casalinga. Si prega di consultare il proprio elettricista per l'installazione.
- Il cavo nonché qualsiasi cavo di estensione richiesto deve essere posato in modo tale che non ci sia alcun rischio di tirarlo inavvertitamente o di inciamparvi.
- Se viene utilizzato un cavo di prolunga, deve essere adatto per l'alimentazione in questione. Altrimenti provocherà il surriscaldamento del cavo e / o la spina.
- Poggiare l'unità su una superficie rigida, piana e resistente al calore, non vicino a fiamme libere (come forni a gas) ed utilizzare fuori dalla portata dei bambini.
- Questo apparecchio è adatto né per uso commerciale, né per uso esterno.
- I bambini non possono percepire i pericoli causati da un uso improprio dei dispositivi elettrici.
- I bambini devono essere sorvegliati per assicurarsi che

non giochino con l'apparecchio.

- Questo apparecchio non è destinato ad essere utilizzato da persone (compresi i bambini) con capacità fisiche, sensoriali o mentali ridotte, o senza esperienza e conoscenza, a meno che non siano controllati o istruiti all'uso dell'apparecchio da una persona responsabile della loro sicurezza.
- Estrarre la spina dalla presa, quando l'apparecchio non è in uso e anche prima della pulizia.
- Attenzione! L'apparecchio è alimentato fintanto che è collegato al circuito di alimentazione.
- Si deve fare attenzione quando si maneggiano lame taglienti o si svuota il contenitore e durante la pulizia.
- Evitare potenziali lesioni da uso improprio
- Spegnerne l'apparecchio ed estrarre la spina dalla presa prima di cambiare gli accessori o di avvicinarsi alle parti che si muovono durante l'utilizzo.
- Spegnerne l'apparecchio prima di estrarre la spina.
- Utilizzare esclusivamente pezzi di ricambio del produttore o di un suo rivenditore locale.
- Non trasportare l'unità dal cavo di alimentazione.
- Non rimuovere i singoli componenti.
- Quando si miscelano liquidi o cibi caldi un eccesso di pressione potrebbe accumularsi all'interno del frullatore, e questo potrebbe far sollevare il coperchio facendo fuoriuscire il contenuto. Si consiglia pertanto di evitare di mescolare i cibi eccessivamente caldi e introdurre solo piccole quantità di liquidi o cibi caldi nel frullatore.
- Non usare il frullatore per prodotti alimentari molto duri, come le ossa, le noci, carni congelate, ecc, questi

potrebbero danneggiare la lama o causare il blocco del motore.

- Il dispositivo non deve essere utilizzato se è stato lasciato cadere, sono visibili evidenti segni di danneggiamento o se presenta perdite.
- Questo apparecchio può essere utilizzato da bambini a partire da 8 anni, purché sorvegliati e istruiti all'uso sicuro dell'apparecchio e pienamente a conoscenza dei pericoli che comporta.
 - La pulizia e la manutenzione non devono essere eseguite da bambini a meno che abbiano più di 8 anni e siano sorvegliati da un adulto.
 - Conservare l'apparecchio e il cavo di alimentazione fuori dalla portata di bambini di età inferiore a 8 anni.
 - Quando si utilizzano apparecchiature elettriche, è necessario adottare sempre misure di sicurezza per prevenire il rischio di incendi, scosse elettriche e/o lesioni in caso di uso improprio.
 - Accertarsi che la tensione nominale sulla targhetta corrisponda alla tensione principale della vostra installazione. In caso contrario, contattare il rivenditore e non collegare l'unità.
 - Non lasciare mai l'unità incustodita durante il funzionamento.
 - Si prega di tenere questo documento a portata di mano e di consegnarlo al futuro proprietario in caso di trasferimento del dispositivo.
 - Non utilizzare all'esterno.
 - Il dispositivo non è destinato ad essere azionato da un timer esterno o da un sistema di controllo remoto.

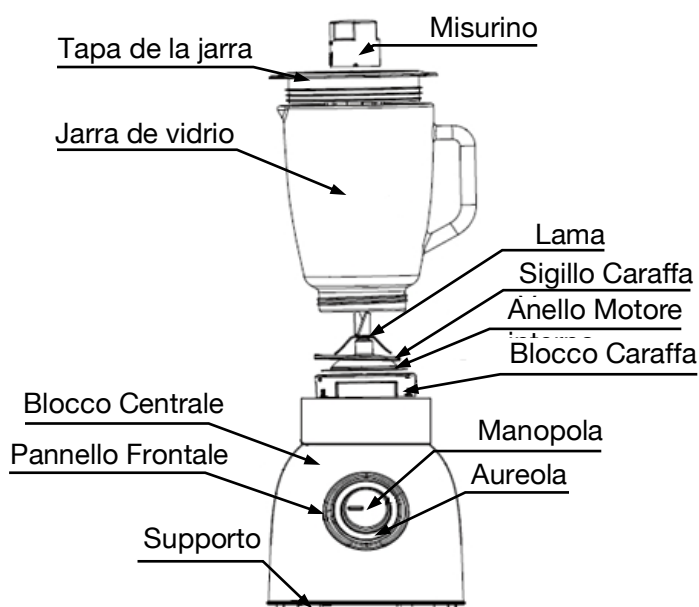
Attenzione:

Spegnere l'apparecchio prima di pulirlo per evitare dispersione e altri pericoli. Quando la spina o il cavo di alimentazione sono danneggiati, non utilizzare l'unità, e non smontarla da soli, ma contattare il servizio post vendita.

PRECAUZIONI DI SICUREZZA SPECIALI

- **Attenzione:** Le lame nella caraffa sono molto taglienti. C'è il pericolo di lesioni! Mentre le lame girano, non toccare mai la caraffa dall'interno e non introdurre alcun oggetto al suo interno.
- Usare solo accessori approvati dal produttore.
- Utilizzare l'apparecchio solo con il coperchio chiuso ermeticamente e con la chiusura inserita.
- L'unità è dotata di una funzione di sicurezza. L'unità può essere accesa solo se la caraffa viene montata sul basamento motore correttamente. Se l'unità non si accende, tirare il cavo di alimentazione e controllare il collegamento tra caraffa e basamento motore.

PARTI



INSTALLAZIONE

1. Pulire il misurino, il coperchio e la caraffa (tranne corpo principale) e così via prima del primo utilizzo.
2. Assicurarsi che l'unità sia spenta e non collegata prima dell'installazione.
3. Primo fissare la caraffa alla base della lama, quindi racchiudere la base lama nella caraffa, ruotare leggermente facendola bloccare in posizione.
4. Montare la caraffa sul corpo principale, e ruotare leggermente in senso orario in modo da bloccarla alla sezione motore. Riempire la caraffa con i cibi desiderati. Si prega di assicurarsi che il contenuto non trabocchi dalla tazza. (La capacità massima non può superare i 1500 ml) NON usare l'unità senza alcun materiale ALL'INTERNO.
5. Mettere il coperchio sulla parte superiore della caraffa e spingerla verso il basso. Inserire la chiusura nel coperchio e girare finché non scatta in posizione.
6. Posizionare il misurino sul centro del coperchio, e ruotarlo in senso antiorario.

FUNZIONAMENTO

1. Collegare l'alimentazione.
2. Questa unità dispone di una unità della sicurezza, non funziona se la caraffa non è installata correttamente sul corpo principale
3. Ruotare la manopola di rotazione P / 0/1/2/3/4/5 sulla posizione 0 per assicurarsi che l'unità sia spenta.
4. Riempire la caraffa con i cibi desiderati
5. Mettere il coperchio sulla parte superiore. Posizionare il misurino sul centro del coperchio, e girarlo leggermente in senso antiorario
6. Mettere la caraffa frullatore sul corpo principale, e ruotare leggermente in senso orario in modo da bloccarla alla base motore. Ora l'apparecchio è completamente assemblato.
7. Ruotare la manopola sulla velocità desiderata (P-impulso, il grado da 1 a 5 indica la velocità delle lame dalla più bassa alla più alta).
8. Durante il funzionamento, la luce blu intorno la manopola è accesa

Regolazione Velocità:

- P-pulso — la lama dell'acciaio inossidabile gira in maniera transitoria alla massima velocità, adatto per il ghiaccio.
- 1 — La lama in acciaio inossidabile opera a bassa velocità.
 - 2 — La lama in acciaio inossidabile opera con una velocità superiore a quella di grado 1, ma velocità inferiore al grado 3.
 - 3 — La lama in acciaio inossidabile opera con velocità superiore a quella di grado 2 ma velocità inferiore al grado 4.
 - 4 — La lama in acciaio inossidabile opera con velocità superiore a quella di grado 3 ma velocità inferiore grado 5.
 - 5 — La lama in acciaio inossidabile opera con velocità superiore a quella di grado 4 ed è la più alta velocità della macchina.
 - 0 — spegne l'unità.

Attenzione:

Un riempimento eccessivo può bloccare il funzionamento, spegnere l'apparecchio e non collegare la spina, estrarre un po' del contenuto, e riattivare.
Non utilizzare continuamente per più di 2 minuti.

PULIZIA E CONSERVAZIONE

- In aggiunta a questo, è necessario fare riferimento alle misure di sicurezza.
- Non pulire il corpo macchina, il cavo di alimentazione principale, il motore o la spina con l'acqua.
- Pulire la base del motore con un panno morbido, umido e detergente neutro.
- Riempire la caraffa mezza piena con acqua calda e un po' di detergente. Lasciate funzionare l'unità alla velocità 2 fino a quando la caraffa è pulita.
- La base con le lame può essere smontato. Svitare la base in senso antiorario contrassegnato sul fondo con la scritta “un-lock”. Estrarre le lame insieme con l'anello di tenuta rivolto verso l'alto.
- Ora pulire la caraffa, il coperchio di chiusura, la base e le lame con l'anello di tenuta con acqua calda e detergente. Asciugare bene prima di riutilizzarli.

Attenzione! Le lame all'interno della caraffa sono molto taglienti.

- Non utilizzare detergenti aggressivi.

Avvertimento:

Non toccare la lama affilata. Quando la si pulisce, tenerla con un canovaccio, per evitare di ferirsi accidentalmente.

Nota:

1. Unità idonea solo per uso domestico.
2. Protezione surriscaldamento
Per prolungare la durata del dispositivo, è stata installata un'unità di protezione da surriscaldamento. Se il motore gira troppo a lungo o viene sovraccaricato, la temperatura raggiunge il valore di avviso e il motore si ferma automaticamente. Estrarre la spina di alimentazione e attendere che il motore si raffreddi (circa 20 a 30 minuti), poi usare di nuovo. Se avete qualche problema con questo dispositivo, non smontatelo da soli. Rivolgersi sempre al servizio post-vendita o al servizio di assistenza.
3. Non usare in ambiti commerciali. In caso contrario, il servizio di manutenzione non sarà valido.

PULIZIA

Pulizia della Caraffa

1. Versare circa 500 ml di acqua tiepida e poco sapone nella caraffa e posizionare la caraffa sulla base.
2. Utilizzare la modalità ad a impulsi per allentare eventuali particelle di cibo e liberare le lame.
 - Rimuovere la caraffa, versare l'acqua e sciacquare con acqua corrente fresca. Ripetere passaggi 1 e 2 con acqua fresca.
 - In alternativa la caraffa può essere immersa in acqua calda e sapone e pulita con una spazzola a manico lungo. Non toccare le lame durante la pulizia.

- Lavare il coperchio e il misurino separatamente in acqua calda e sapone, risciacquare e lasciare asciugare.

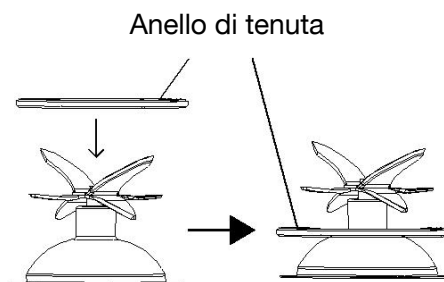


- La caraffa deve essere maneggiata con cura. La caraffa contiene parti mobili non lasciarla immersa in acqua per più del necessario per pulirla o si potrebbe influire sulle prestazioni di funzionamento del frullatore.
- Maneggiare con cura le lame durante la pulizia in quanto sono estremamente taglienti.
- **NON** lavare la caraffa o gli accessori in lavastoviglie.

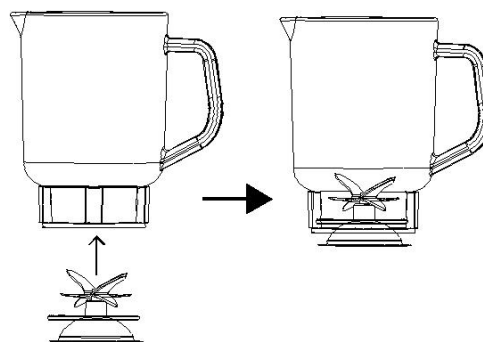


Anche se non è consigliabile prendere la base caraffa senza le lame, nel caso in cui si siano scollegate, reinstallare le parti di nuovo nell'ordine corretto.

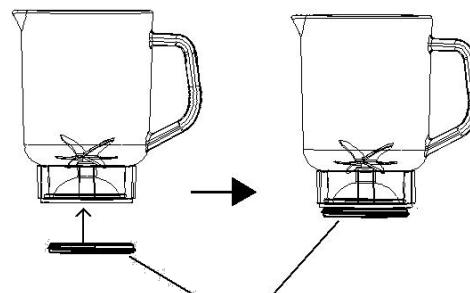
1. Montare saldamente la guarnizione in gomma
Attenzione! Le lame sono molto taglienti.



2. Assemblare l'anello di montaggio e lame alla base della caraffa



3. Montare l'anello di bloccaggio nella base della caraffa e chiudere ermeticamente.



Anello di bloccaggio

Pulizia della Base

1. Assicurarsi che il frullatore sia spento e scollegato dalla rete.
2. Pulire la superficie esterna del gruppo motore con un panno umido. Non utilizzare detergenti abrasivi o creme abrasive.



Non immergere mai la base in acqua durante la pulizia.

GARANZIA

Il periodo di garanzia per i nostri prodotti è di 2 anni, se non diversamente stabilito dalla legge, a partire dalla data di acquisto iniziale o di consegna.

Se avete problemi o domande, potete facilmente accedere alle nostre pagine di aiuto, consigli per la risoluzione dei problemi, FAQ e manuali d'uso sul nostro sito post-vendita:

<https://sav.hkoenig.com>.

Digitando il nome di riferimento del tuo dispositivo nella barra di ricerca, puoi accedere a tutto il supporto online disponibile, progettato per soddisfare al meglio le tue esigenze.

Se ancora non riesci a trovare una risposta alla tua domanda o al tuo problema, allora clicca su "La risposta ha risolto il tuo problema? Questo vi porterà al modulo di richiesta di supporto post-vendita, che potete completare per convalidare la vostra richiesta e ottenere aiuto.

CONDIZIONI DI GARANZIA

La garanzia copre tutti i guasti derivanti da un uso normale, in conformità con gli usi e le specifiche del manuale utente.

Questa garanzia non si applica a problemi di imballaggio o di trasporto durante la spedizione del prodotto da parte del proprietario. Non include inoltre la normale usura del prodotto, né la manutenzione o la sostituzione delle parti di consumo.

ESCLUSIONE DELLA GARANZIA

- Accessori e parti soggette a usura (*).
- Normale manutenzione dell'apparecchio.
- Tutti i guasti derivanti da un uso improprio (urti, mancato rispetto delle raccomandazioni sull'alimentazione, cattive condizioni d'uso, ecc.), da una manutenzione inadeguata o da un uso improprio dell'apparecchio, nonché dall'uso di accessori inadeguati.
- Danni di origine esterna: incendio, danni d'acqua, sovratensione elettrica, ecc.
- Qualsiasi attrezzatura che sia stata smontata, anche parzialmente, da persone diverse da quelle autorizzate a farlo (in particolare l'utente).
- Prodotti per i quali il numero di serie è mancante, danneggiato o illeggibile, il che non permetterebbe la sua identificazione.
- Prodotti soggetti a noleggio, dimostrazione o esposizione.

(*) Alcune parti del suo apparecchio, note come parti soggette a usura o materiali di consumo, si deteriorano con il tempo e la frequenza d'uso del suo apparecchio. Questa usura è normale, ma può essere accentuata da cattive condizioni d'uso o di manutenzione del vostro apparecchio. Queste parti non sono quindi coperte dalla garanzia.

Anche gli accessori forniti con l'apparecchio sono esclusi dalla garanzia. Non possono essere scambiati o rimborsati. Tuttavia, alcuni accessori possono essere acquistati direttamente dal nostro sito web: <https://sav.hkoenig.com/>.

AMBIENTE



ATTENZIONE:

Non gettare quest' apparecchio tra i rifiuti domestici. Per questo tipo di prodotti è fornito dai comuni un sistema di raccolta e ritiro in zona ed è quindi un dovere informarsi per conoscere il giusto smistamento del rifiuto. Infatti, i prodotti elettrici ed elettronici possono contenere sostanze pericolose che hanno effetti dannosi sull'ambiente o sulla nostra salute e quindi devono essere riciclati. Il simbolo al lato indica che le apparecchiature elettriche ed elettroniche fanno parte di una raccolta selettiva e differenziata (rappresentata da un bidone su due ruote sbarrato da una croce).

Adeva SAS / H.Koenig Europe - 8 rue Marc Seguin - 77290 Mitry Mory - France
www.hkoenig.com - sav@hkoenig.com - contact@hkoenig.com - Tél: +33 1 64 67 00 05



Points de collecte sur www.quefairedemesdechets.fr
Privilégiez la réparation ou le don de votre appareil !