

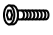







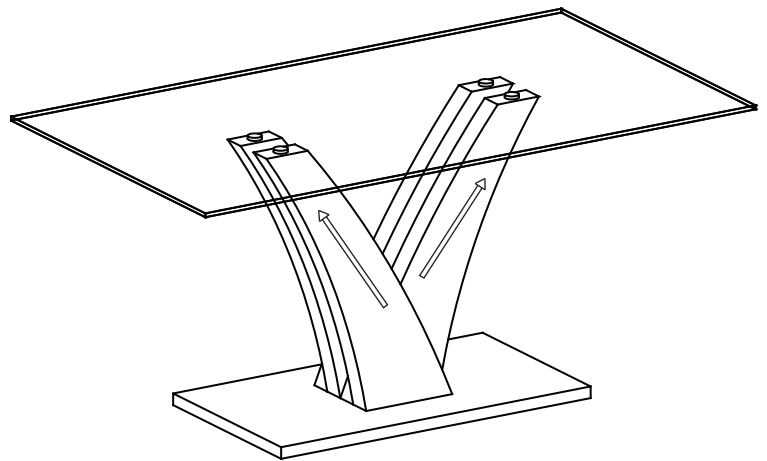
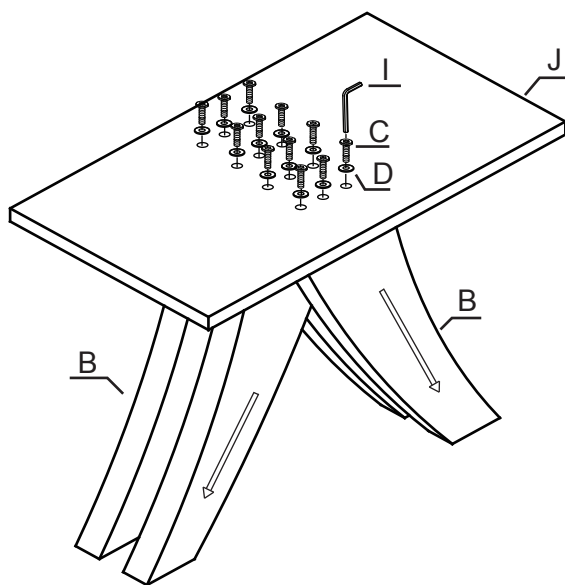


LIST OF ACCESSORIES

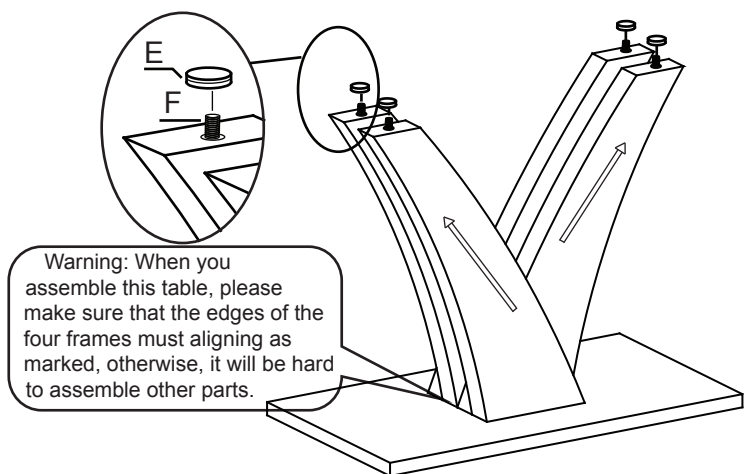
HARDWARE LIST			
NO.	PART	DESCRIPTION	Q'TY
A		glass top	1
B		leg	4
C		screw	12
D		caps	12
E		metal plate	4
F		rod	4
G		little rod	4
H		long allen key	1
I		short allen key	1
J		middle board	1



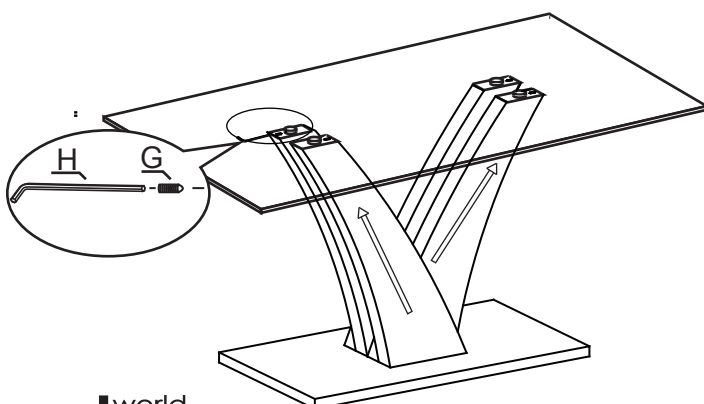
step 1



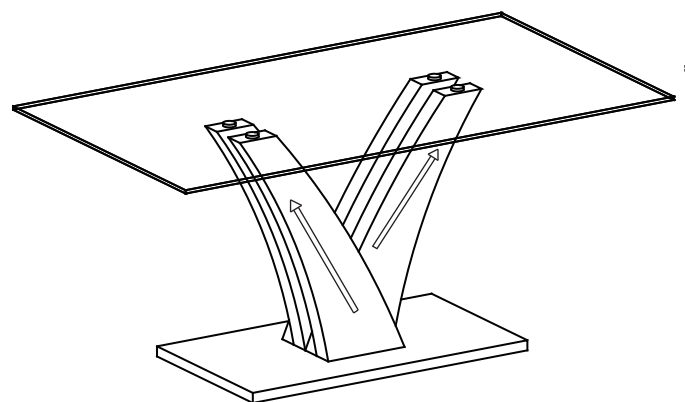
step 2







step 3



step 4



ASSEMBLY INSTRUCTION

<p>A</p>  <p>M6 X02</p>	<p>B</p>  <p>X04</p>	<p>C</p>  <p>X02</p>	<p>D</p>  <p>X01</p>	<p>E</p>	<p>F</p>	<p>G</p>
--	---	---	---	----------	----------	----------

