





ASSEMBLY INSTRUCTION

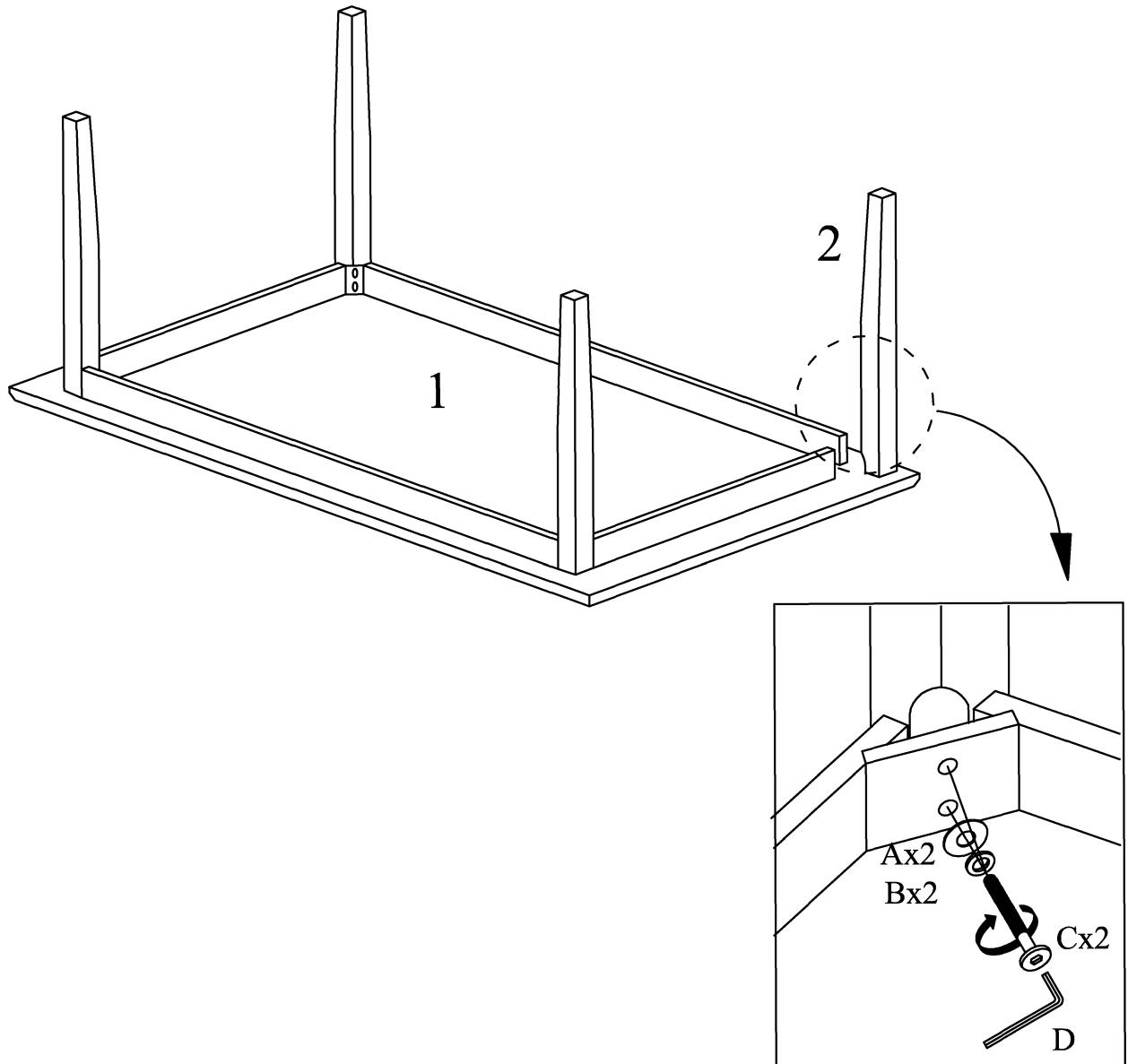
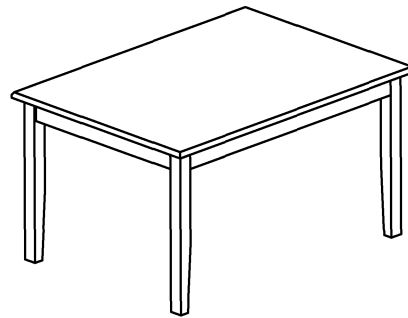
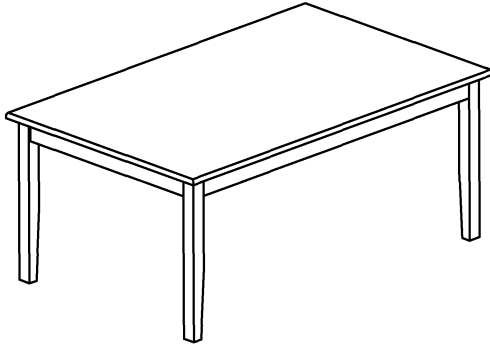
Thank you for purchasing this quality products. Be sure to check all packing material carefully for small parts which have come loose inside the carton during shipment. Identity and count all parts and compare with the parts list below. Place all wooden furniture parts on a clean and flat soft surface, such as carpet or rug to prevent from being scratched.

LIST OF PARTS

No	Description	Qty
1	Table Top	1
2	Table Leg	4

LIST OF PARTS

No	Description		Qty
A	Flat Washer		8
B	Spring Washer		8
C	JCBC Bolt		8
D	Allen Key		1



ASSEMBLY INSTRUCTION

IMPORTANT NOTE : * PLACE ALL WOODEN PARTS ON A CLEAN AND SMOOTH SURFACE SUCH AS A RUG OR CARPET TO AVOID THE PARTS FROM BEING SCRATCHED.
 * BEFORE YOU BEING, KINDLY FOLLOW THE ASSEMBLY INSTRUCTIONS STEP BY STEP.
 * DO NOT TIGHTEN ALL SCREWS UNTIL THE CHAIR IS FULLY SET-UP.

LIST OF PARTS

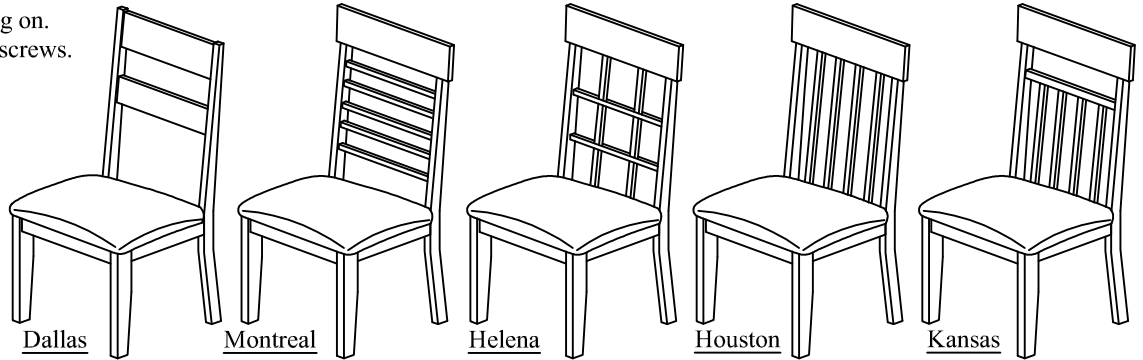
No	Description	Qty
1	Chair Back	2
2	Front Leg	2
3	Apron	4
4	Chair Seat	2

LIST OF PARTS

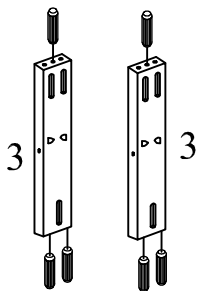
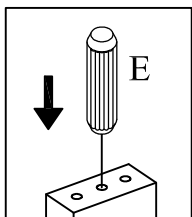
No	Description	Qty
A	JCBC	12
B	Spring Washer	12
C	Chipboard Screw	6
D	Allen Key	1
E	Wood Dowel	12

WARNING

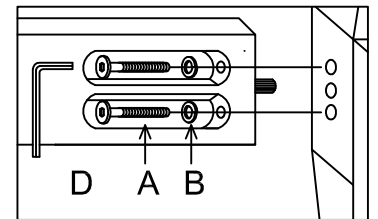
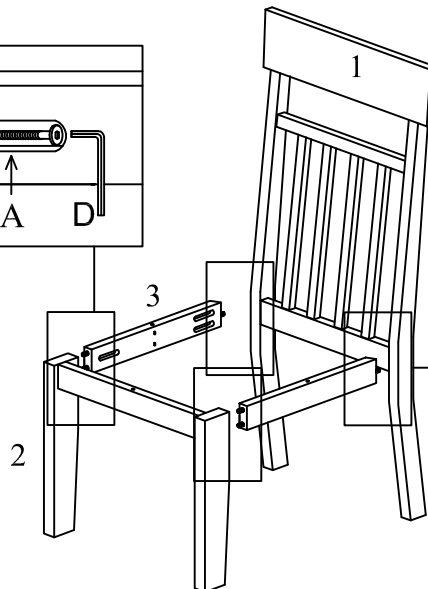
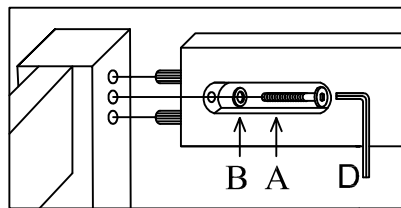
- This chair not suitable for standing on.
- Do not over tighten the bolts and screws.



Step 1



Step 2



Step 3

