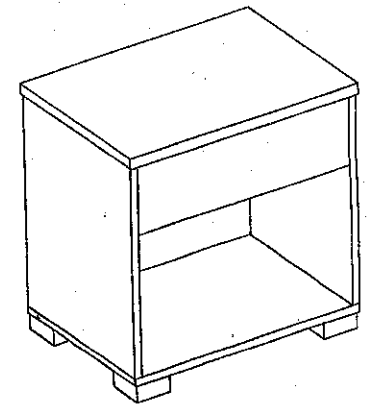


6021



6*50mm Ax4 	Bx1 	Cx2 	Dx2 	3.5*15mm Ex8 	3.5*40mm Fx4 	Gx4 	3.5*20mm Hx4
Jx2 	4*15mm Kx8 	35mm Lx4 	Nx4 	Mx20 			

